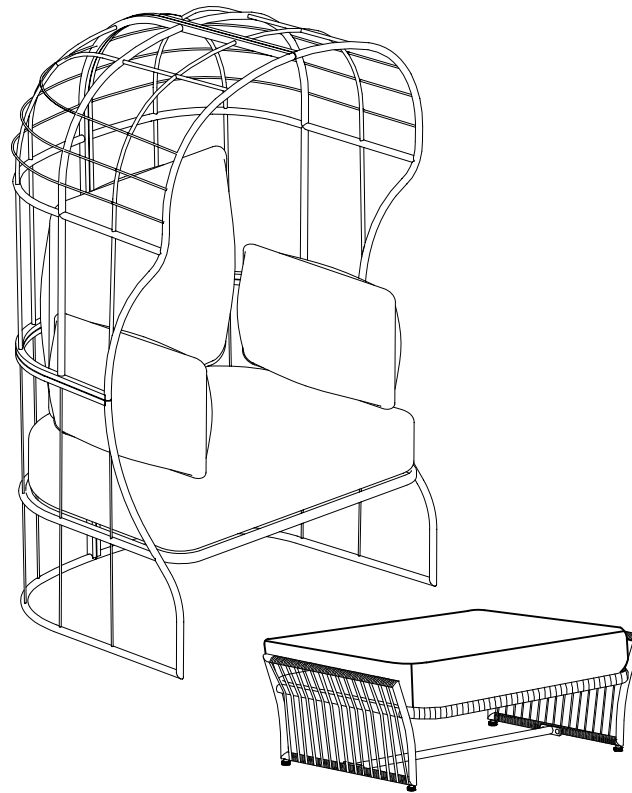


# modern milan free-standing egg chair with ottoman

style # FRS50145ST

dpci # 009000479



>>assembly instructions



## **Congratulations on your latest Target purchase.**

Now what? Don't start sweating over this box of parts. This will be easy. We did the hard work for you. All you need to do is follow our simple instructions and you'll be on your way to transforming your patio in no time. Good luck – though we're confident you won't need it.

## **IMPORTANT WARNING:**

Unpack the box on a clean, soft, level surface and make sure all parts have been included. To replace missing or damaged parts please call 855-MYTGTHOME (855-698-4846) during 7am - 7pm CST M-F, and 8am - 5pm CST Saturday.

## **ATTENTION:**

This Chair is not intended for use during any kind of inclement weather and the manufacturer is not, and can not be held responsible for any damages caused as a result of such weather. Weather-related damage, or damage as a result of the Chair not being stored properly when not in use, is not the responsibility of the manufacturer.

During extended periods of non-usage, off season, or in inclement weather (wind, rain, snow, hail, sleet), freezing conditions and extreme heat, the Chair needs to be stored in a dry, sheltered place to prolong the life and to avoid damage to the Chair.

## **WARRANTY:**

This Chair comes with a one year limited warranty against original manufacture defects. If you experience trouble with your chair, please call the customer service number below.

Target Corporation

Toll Free at: 855-MYTGTHOME (855-698-4846) during 7am - 7pm CST M-F, and 8am - 5pm CST Saturday.

Code: Yotrio 2020

## **before you begin**

1. Check for damage or missing parts. Call 855-MYTGTHOME (855-698-4846) to order missing supplies.
2. Use the carton as a working surface to prevent product damage during assembly.
3. Gather all tools prior to assembly.

## table of contents

---

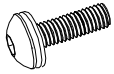
introduction	2-3
hardware	5
parts list	6
assembly	7-15

# hardware

---

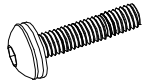
**(Part I)×6**

M6\*20 bolt with washer



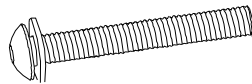
**(Part J)×4**

M6\*30 bolt with washer



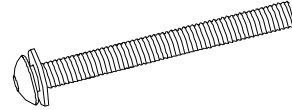
**(Part K)×6**

M6\*35mm bolt with washer



**(Part L)×12**

M6\*60mm bolt with washer



**(Part M)×12**

M6 nut



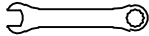
**(Part N)×12**

Washer



**(Part O)×1**

hex wrench



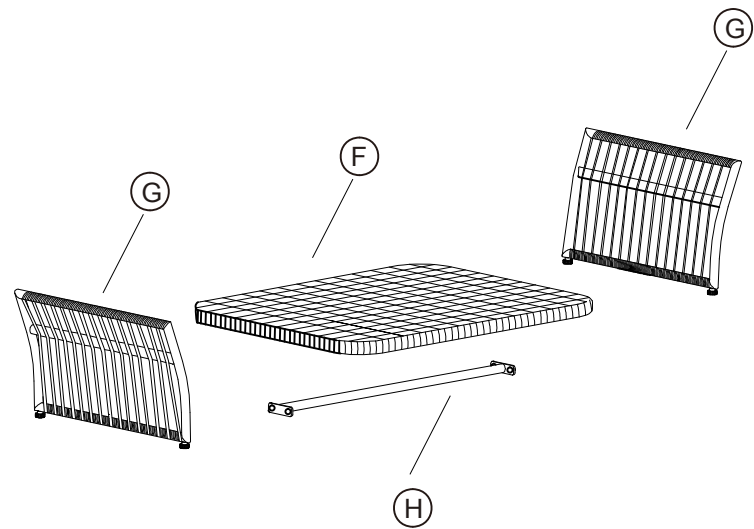
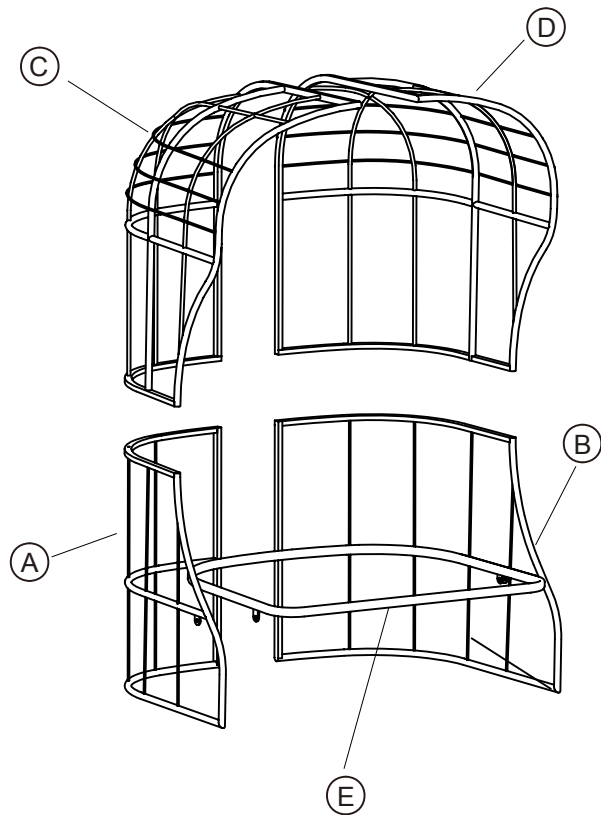
**(Part P)×1**

allen wrench



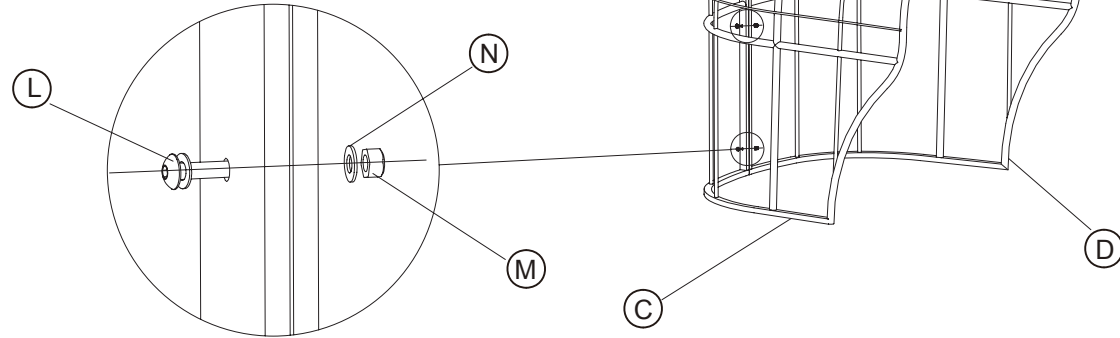
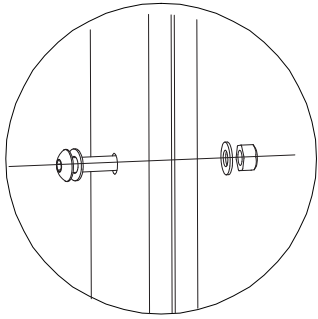
ITEM	DESCRIPTION	QUANTITY
------	-------------	----------

A	left bottom frame	1
B	right bottom frame	1
C	left top frame	1
D	right top frame	1
E	seat frame	1
F	ottoman seat frame	1
G	side panel	2
H	connector bar	1



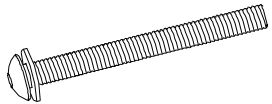
## step 01:

---



(Part L)×4

M6\*60mm bolt with washer



(Part M)×4

M6 nut



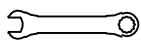
(Part N)×4

Washer



(Part O)×1

hex wrench



(Part P)×1

allen wrench



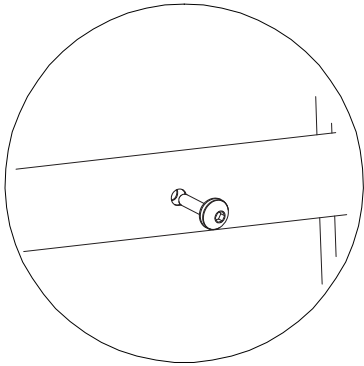
**ATTENTION:** To avoid damage to your new patio furniture, please use either the carton or another soft surface such as carpet as a working surface to prevent product damage during assembly.

1. Attach the left top frame (C) to the right top frame (D) with the corresponding screw holes.
2. Secure with M6\*60 bolt with washer (L), M6 nut (M), washer (N), tighten using hex wrench (O) and allen wrench (P).

**Do not completely tighten screws until all screws are started.**

## step 02:

---

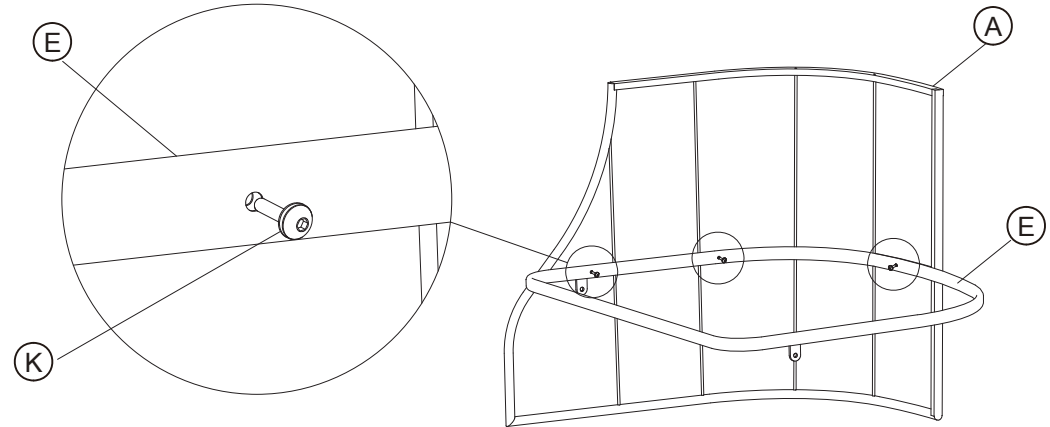


---

(Part K)×3  
M6\*35mm bolt with washer



(Part P)×1  
allen wrench



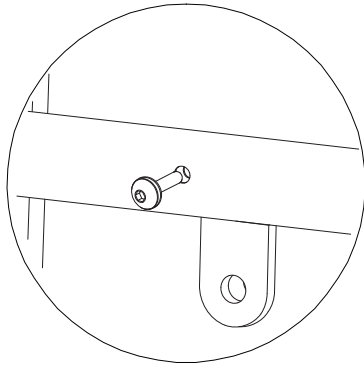
1. Attach the left bottom frame (A) to the seat frame (E ) by lining up screw holes
2. Secure with M6\*35 bolt with washer (K), tighten using allen wrench (P).

**Do not completely tighten screws until all screws are started.**



## step 03:

---

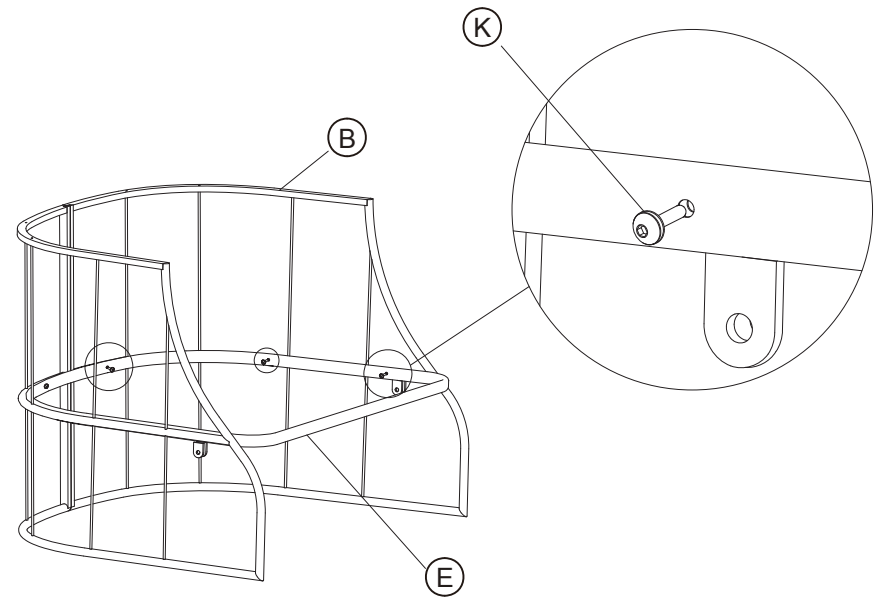


---

(Part K)×3  
M6\*35mm bolt with washer



(Part P)×1  
allen wrench

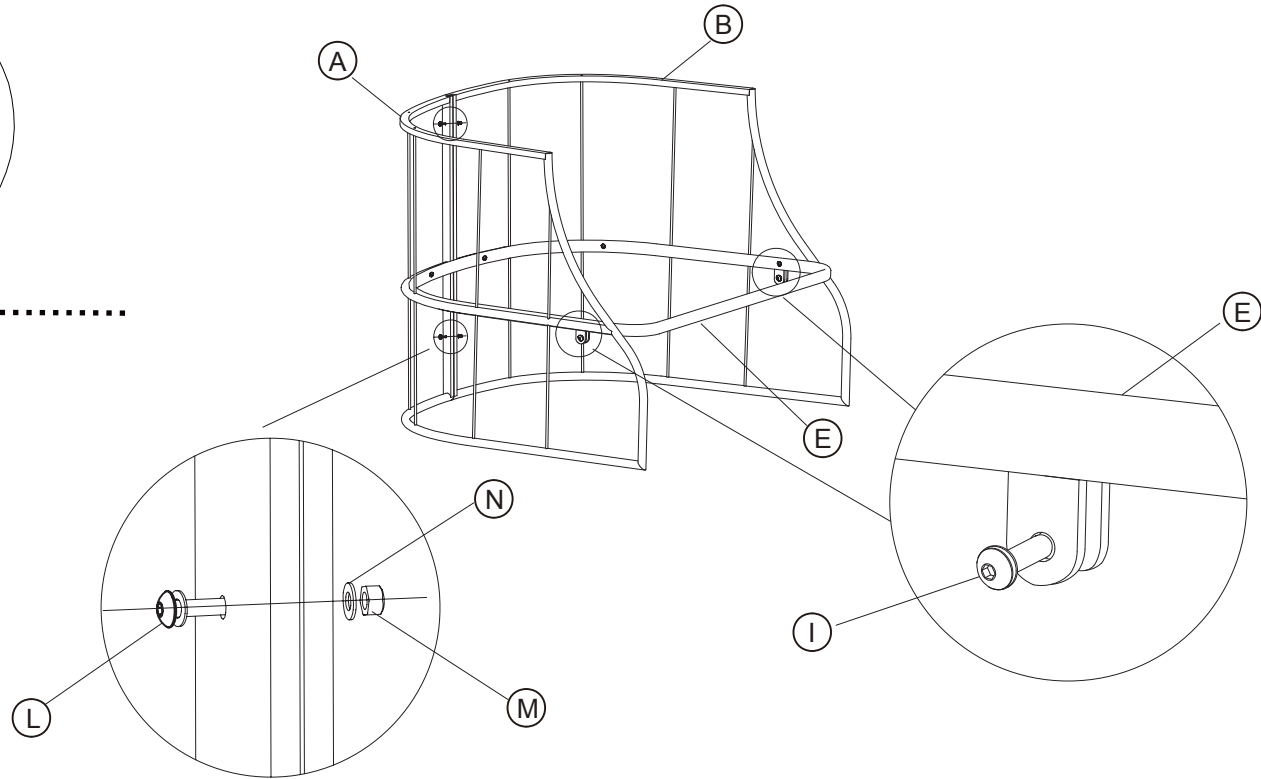
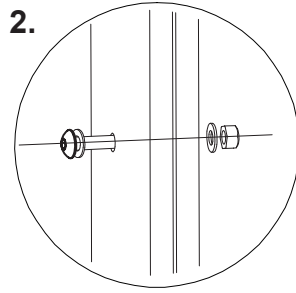
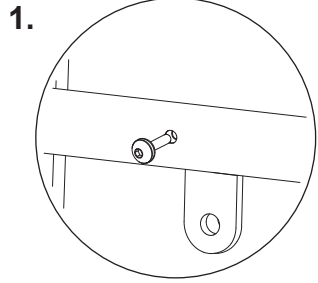


1. Attach the right bottom frame (B) to the seat frame (E ) by lining up screw holes
2. Secure with M6\*35 bolt with washer (K), tighten using allen wrench (P).

**Do not completely tighten screws until all screws are started.**

## step 04:

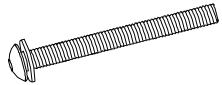
---



(Part I)×2  
M6\*20 bolt with washer



(Part L)×2  
M6\*60mm bolt with washer



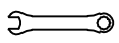
(Part M)×2  
M6 nut



(Part N)×2  
Washer



(Part O)×1  
hex wrench



(Part P)×1  
allen wrench



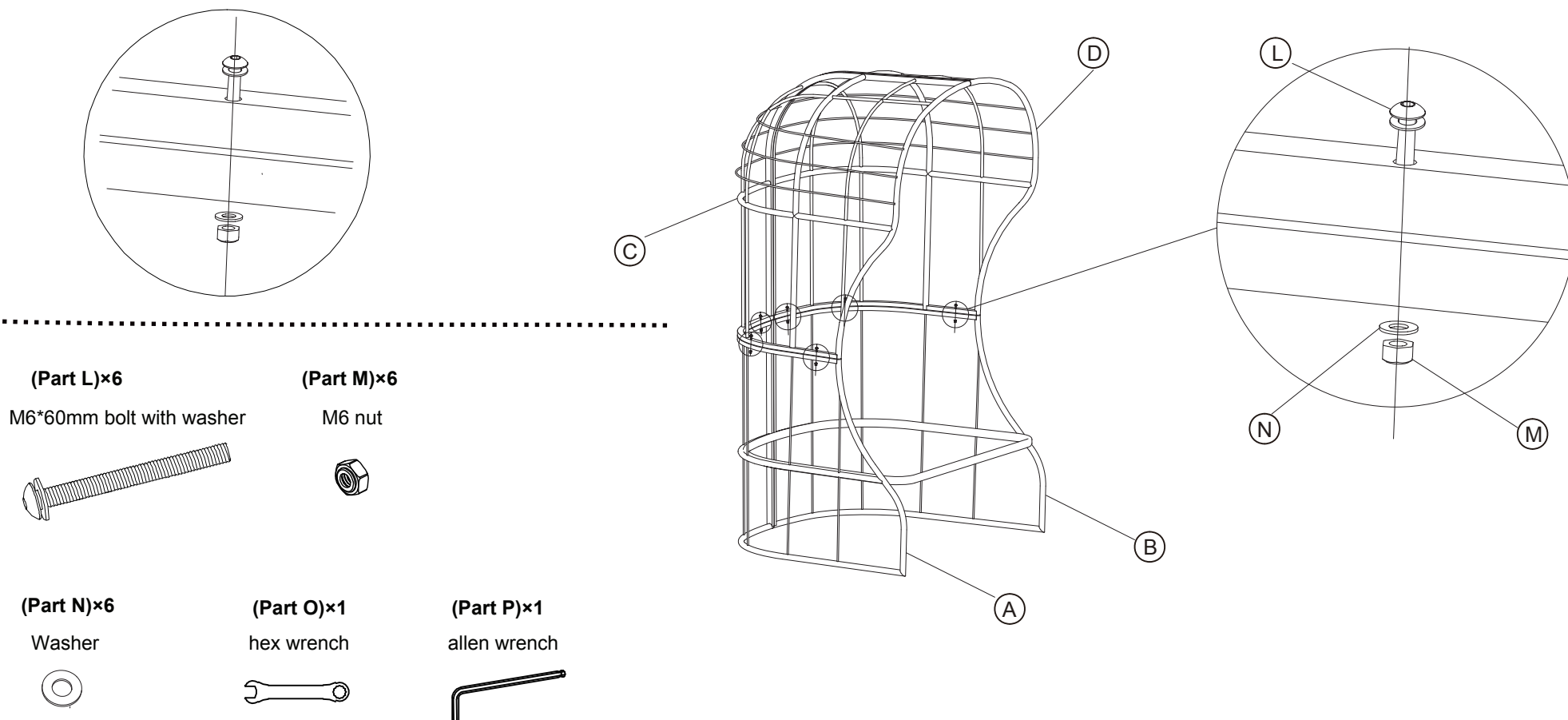
1. Secure with M6\*20 bolt with washer (I) and M6\*35 bolt with washer (K), tighten using allen wrench (P).

2. Secure with M6\*60 bolt with washer (L), M6 nut (M), washer (N), tighten using hex wrench (O) and allen wrench (P).

**Do not completely tighten screws until all screws are started.**

## step 05:

---



1. Attach the left top frame (C) and the right top frame (D) to the left bottom frame (A) and right bottom frame (B) with the corresponding screw holes.
2. Secure with M6\*60 bolt with washer (L), M6 nut (M), washer (N), tighten using hex wrench (O) and allen wrench (P).

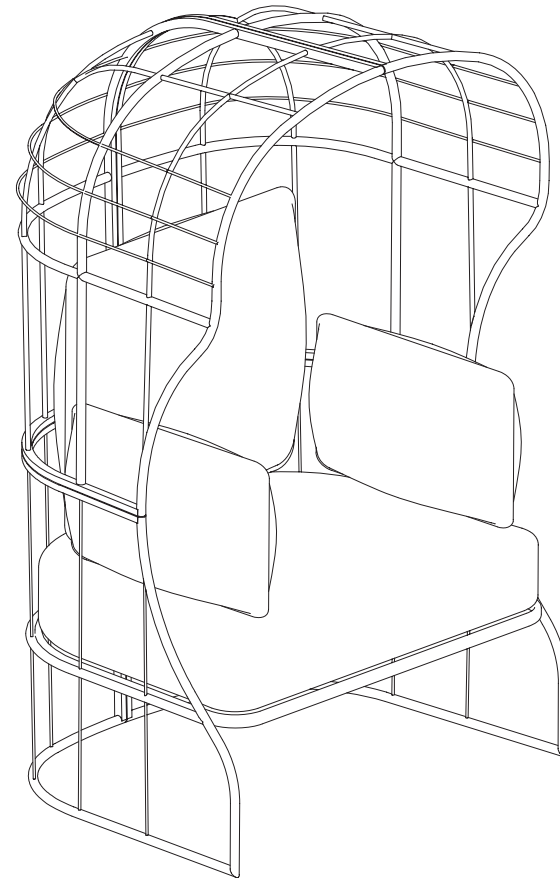
**Do not completely tighten screws until all screws are started.**

## step 06 :

---

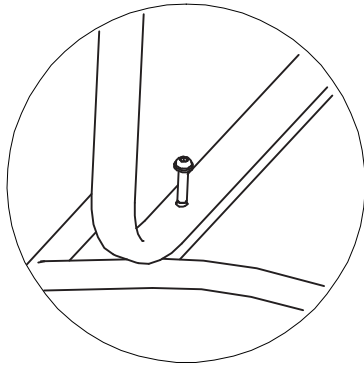
- 
1. Tighten all the screws.
  2. Turn the chair to upright position on a flat level surface.  
Put the cushion on the chair.

You are now ready to enjoy your new chair.



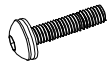
## step 07:

---

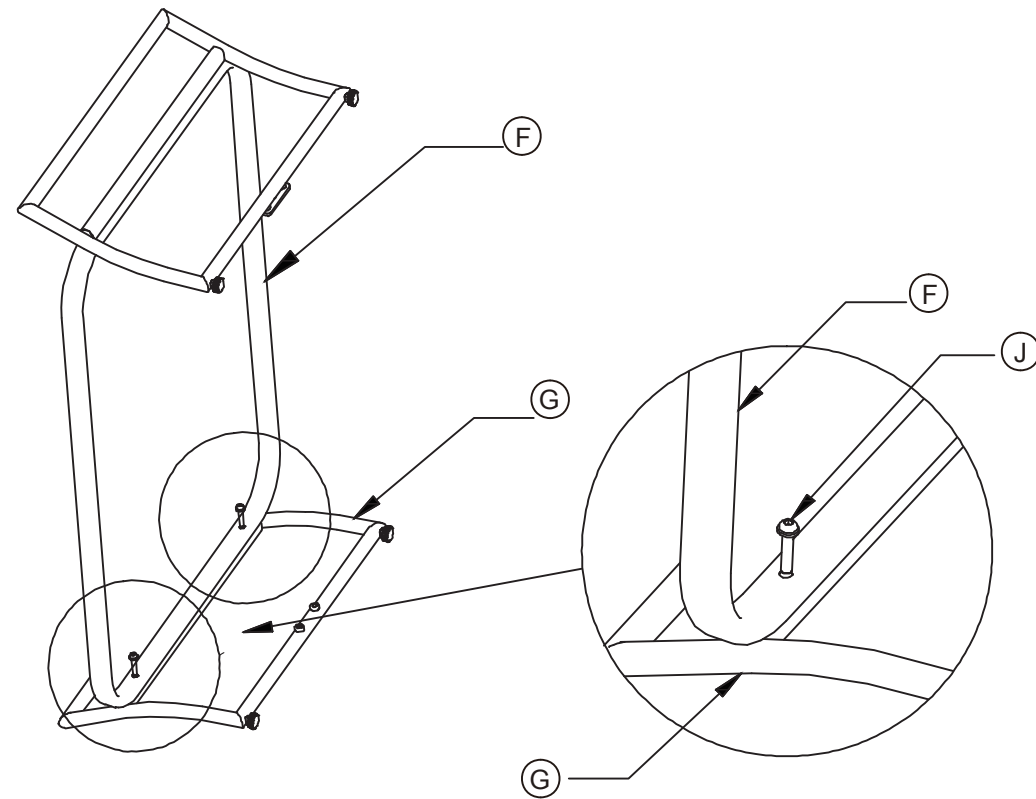


---

(Part J)×4  
M6\*30 bolt with washer



(Part P)×1  
allen wrench

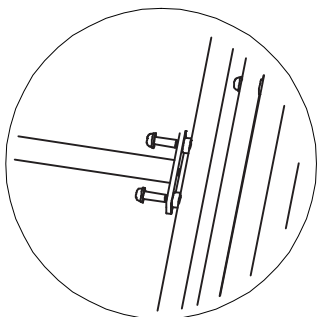


1. Attach the ottoman seat frame (F) to the side panel (G) by lining up screw holes.
2. Secure with M6\*30 bolt with washer (J), tighten using allen wrench (P).

**Do not completely tighten screws until all screws are started.**

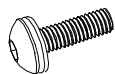
## step 08:

---

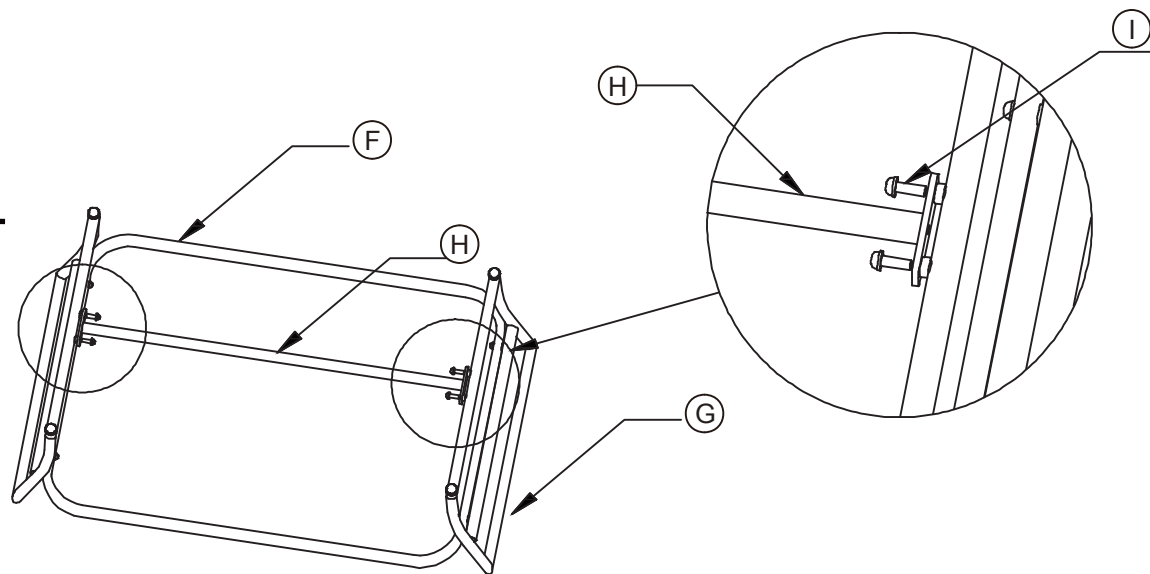


---

(Part I)×4  
M6\*20 bolt with washer



(Part P)×1  
allen wrench

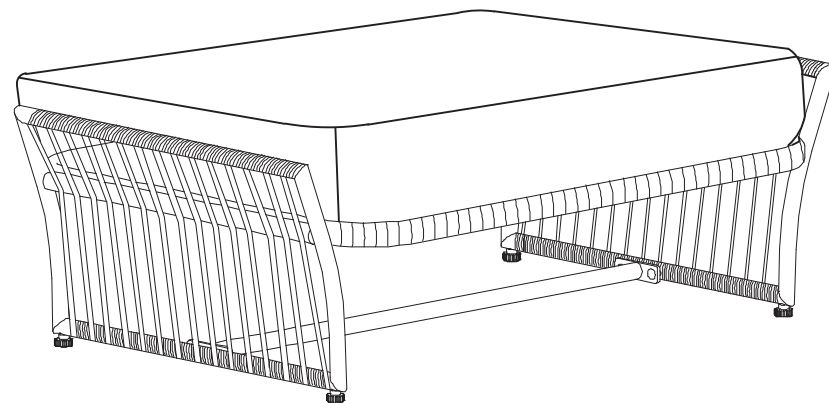


1. Attach the connector bar (H) to the side panel (G) with the corresponding screw holes.
2. Secure with M6\*20 bolt with washer (I), tighten using allen wrench (P).

**Do not completely tighten screws until all screws are started.**

## step 09 :

---



- 
1. Tighten all the screws.
  2. Turn the ottoman to upright position on a flat level surface.  
Put the cushion on the ottoman.

You are now ready to enjoy your new ottoman.

For longer life, cover and store when not in use.

**Frame Care:**

Wipe clean with damp cloth. Use only mild soap and detergents.

**Thank you for making your Patio purchase at Target! Please review your purchase on Target.com.**

**QUESTIONS?** Just call 855-MYTGTHOME (855-698-4846) for parts and service. For faster service, have the style number and DPCI number ready when when calling.



