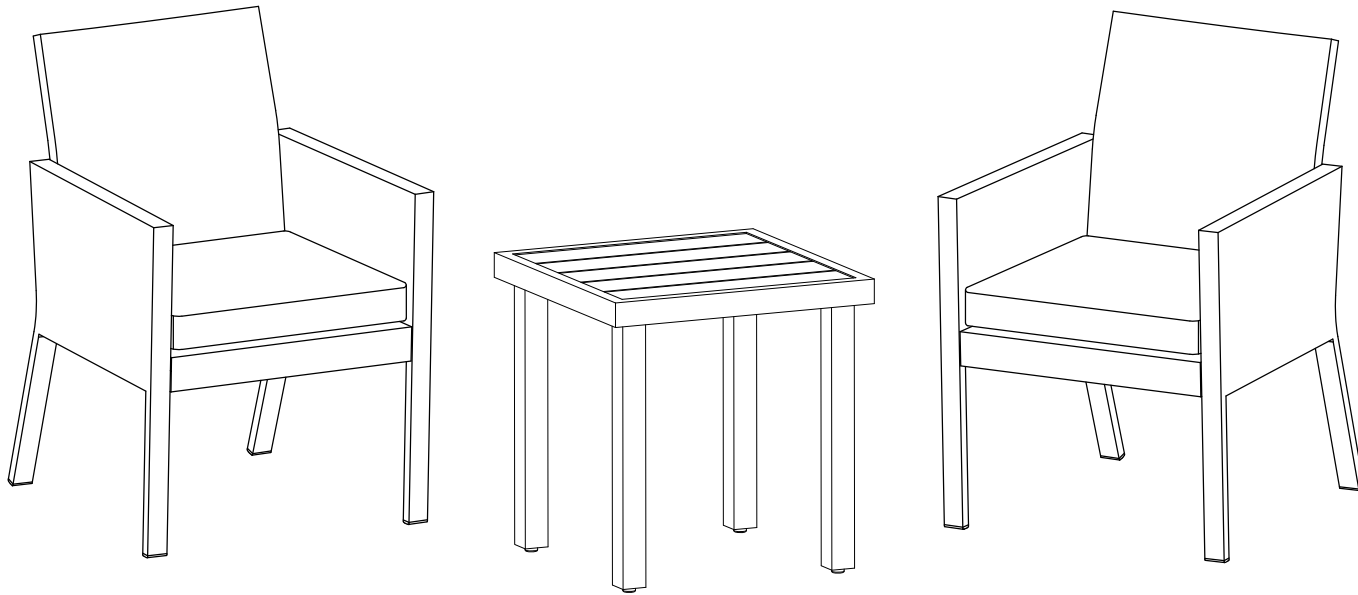


# Howell

upholstered small space chat set

style # FCS60615ST

dpci # 009003842



>>assembly instructions



## **Congratulations on your latest Target purchase.**

Now what? Don't start sweating over this box of parts. This will be easy. We did the hard work for you. All you need to do is follow our simple instructions and you'll be on your way to transforming your patio in no time. Good luck – though we're confident you won't need it.

## **IMPORTANT WARNING:**

Unpack the box on a clean soft level surface and make sure all parts have been included. To replace missing or damaged parts please call 855-MYTGTHOME (855-698-4846) during 7am - 7pm CST M-F, and 8am - 5pm CST Saturday.

## **ATTENTION:**

These Chairs and Side Table are not intended for use during any kind of inclement weather and the manufacturer is not and can not be held responsible for any damages caused as a result of such weather. Weather-related damage, or damage as a result of the Chair and Side Table not being stored properly when not in use is not the responsibility of the manufacturer.

During extended periods of non-usage, off season, or in inclement weather (wind, rain, snow, hail, sleet), freezing conditions and extreme heat, the Chair and Side Table need to be stored in a dry sheltered place to prolong the life and to avoid damage to the Chair and Side Table.

## **WARRANTY:**

These Chairs and Side Table come with a one year limited warranty against original manufacture defects. If you experience trouble with your new chair and side table, please call the customer service number below.

Target Corporation

Toll Free at: 855-MYTGTHOME (855-698-4846) during 7am - 7pm CST M-F, and 8am - 5pm CST Saturday.

Code: Yotrio 2020

## **before you begin**

1. Check for damage or missing parts. Call 855-MYTGTHOME (855-698-4846) to order missing supplies.
2. Use the carton as a working surface to prevent product damage during assembly.
3. Gather all tools prior to assembly.

## table of contents

---

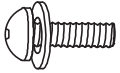
introduction	2-3
hardware	5
parts list	6
assembly	7-12

# hardware

---

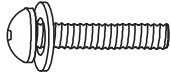
**(Part G)×4**

M6\*20mm bolt with washer



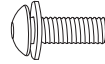
**(Part H)×8**

M6\*30mm bolt with washer



**(Part I)×12**

M6\*15mm bolt with washer



**(Part J)×1**

allen wrench

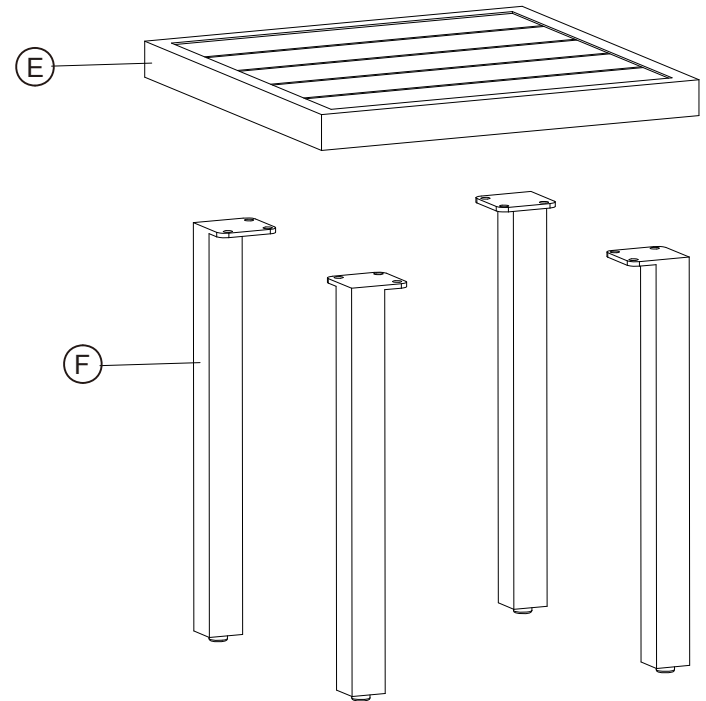
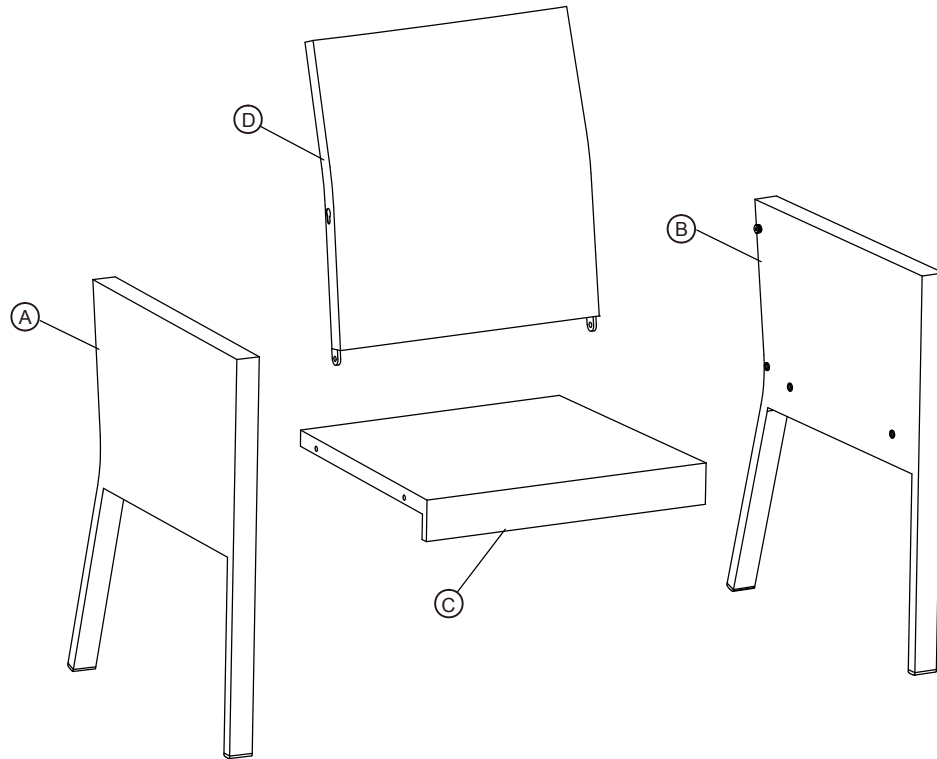


**ATTENTION: THE HARDWARE KIT IS FOR 1 SET.**

ITEM	DESCRIPTION	QUANTITY
------	-------------	----------

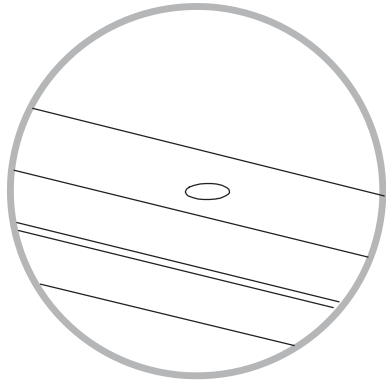
---

A	right armrest	2
B	left armrest	2
C	chair seat	2
D	chair back	2
E	table top	1
F	table leg	4



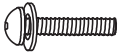
## step 01:

---



---

**(Part H)×2**  
M6\*30mm bolt with washer



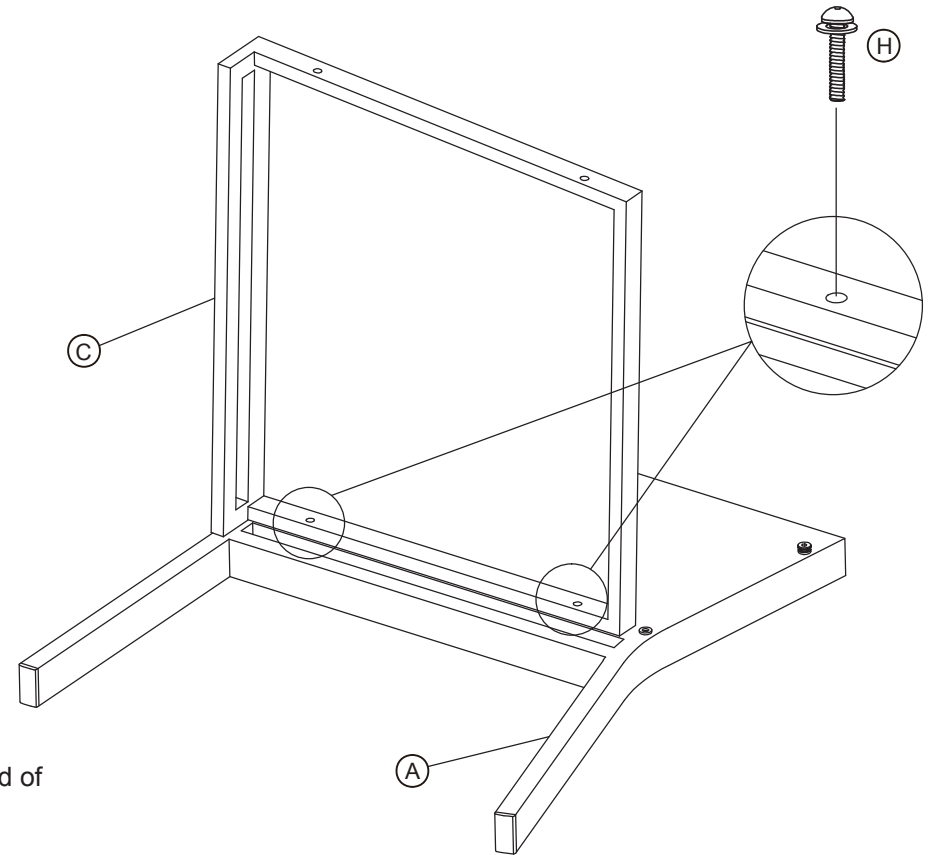
**(Part J)×1**  
allen wrench



**ATTENTION:** To avoid damage to your new patio furniture, please use either the carton or another soft surface such as carpet as a working surface to prevent product damage during assembly.

1. Attach the chair seat (C) to the right armrest (A) by lining up the bolt holes on the end of the chair seat (C) with the corresponding bolt holes on the right armrest (A).
2. Secure with M6\*30mm bolt with washer (H) using allen wrench (J).

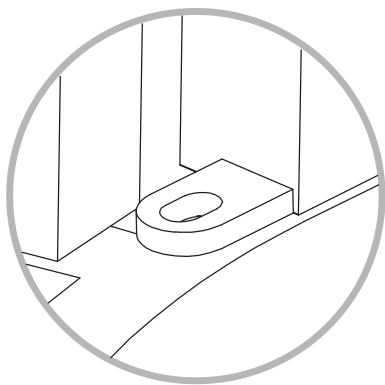
**Do not completely tighten screws until all screws are in place.**



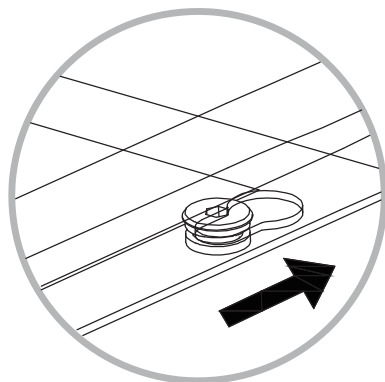
## step 02:

---

1.



2.



---

**(Part G)×1**  
M6\*20mm bolt with washer

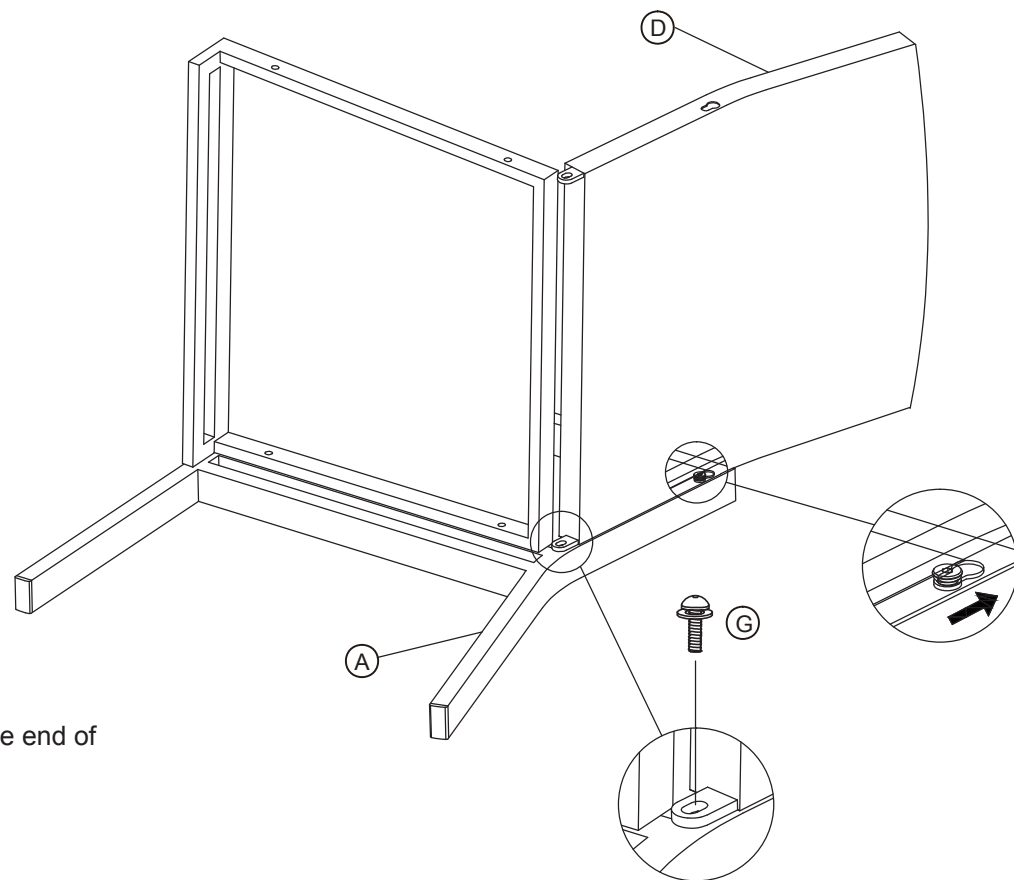


**(Part J)×1**  
allen wrench



1. Attach the chair back (D) to the right armrest (A) by lining up the bolt holes on the end of the chair back (D) with the corresponding bolt holes on the right armrest (A).
2. Secure with M6\*20mm bolt with washer (G) using allen wrench (J).

**Do not completely tighten screws until all screws are in place.**

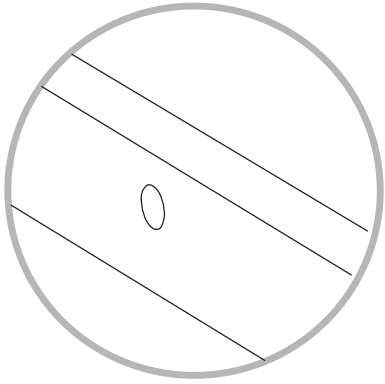




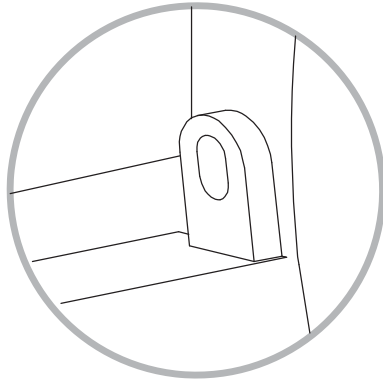
## step 03:

---

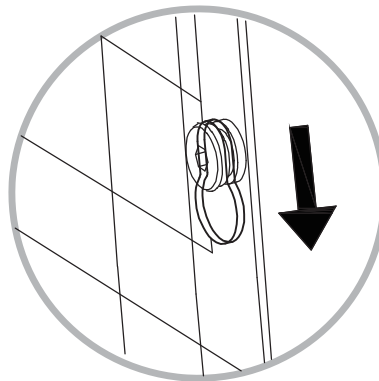
1.



2.



3.



**(Part G)×1**

M6\*20mm bolt with washer



**(Part H)×2**

M6\*30mm bolt with washer



**(Part J)×1**

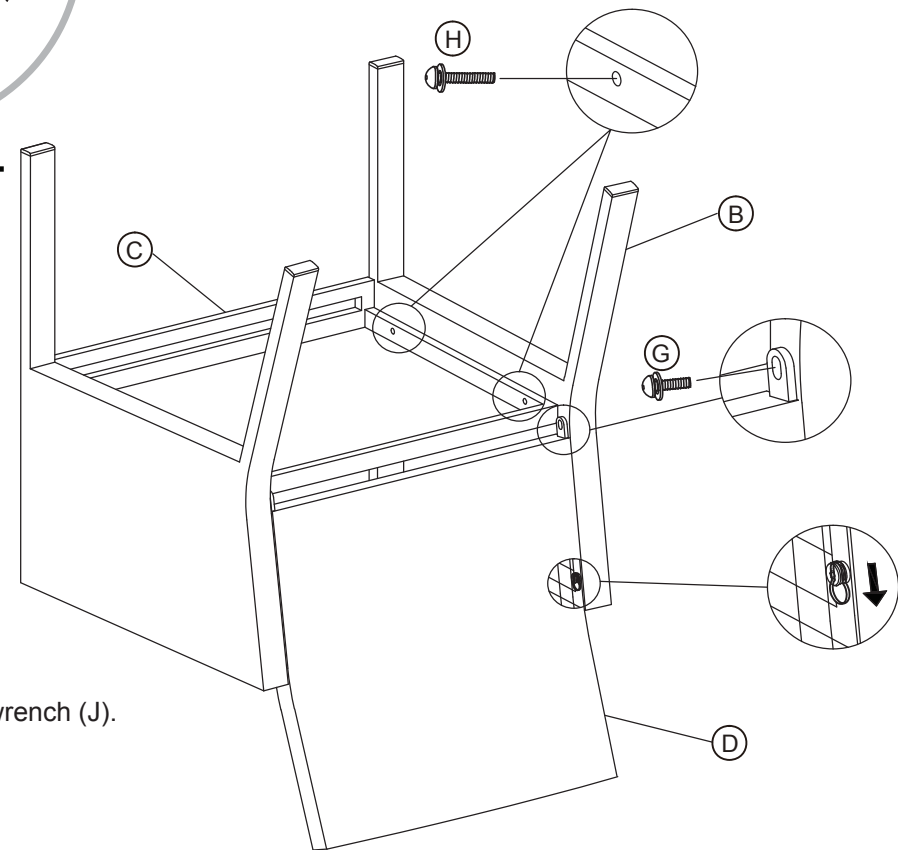
allen wrench



1. Attach the left armrest (B) to the chair seat (C) and chair back (D) by lining up the bolt holes on the end of the chair seat (C) and chair back (D) with the corresponding bolt holes on the left armrest (B).

2. Secure with M6\*20mm bolt with washer (G) and M6\*30mm bolt with washer (H) using allen wrench (J).

3. Repeat above steps for other chair.



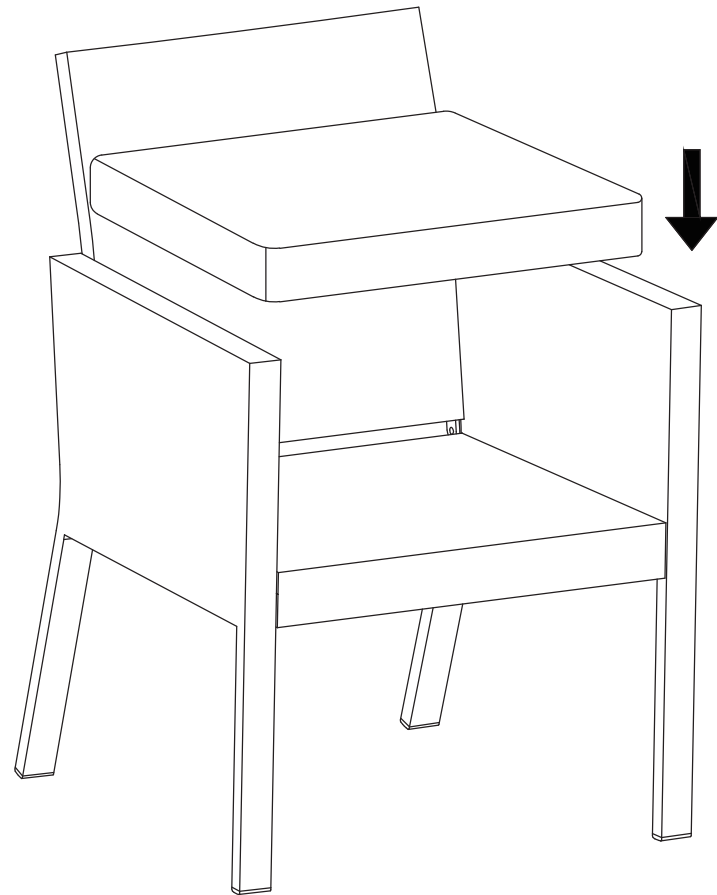
**Do not completely tighten screws until all screws are in place.**

## step 04:

---

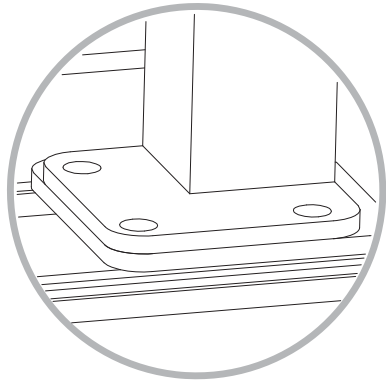
- 
1. Tighten all the bolts. Please lift the chair back up when tightening the bolts.
  2. Turn the chair to upright position onto a flat level surface. Put the cushion on the chair.

You are now ready to enjoy your new chair.



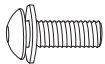
## step 05:

---



---

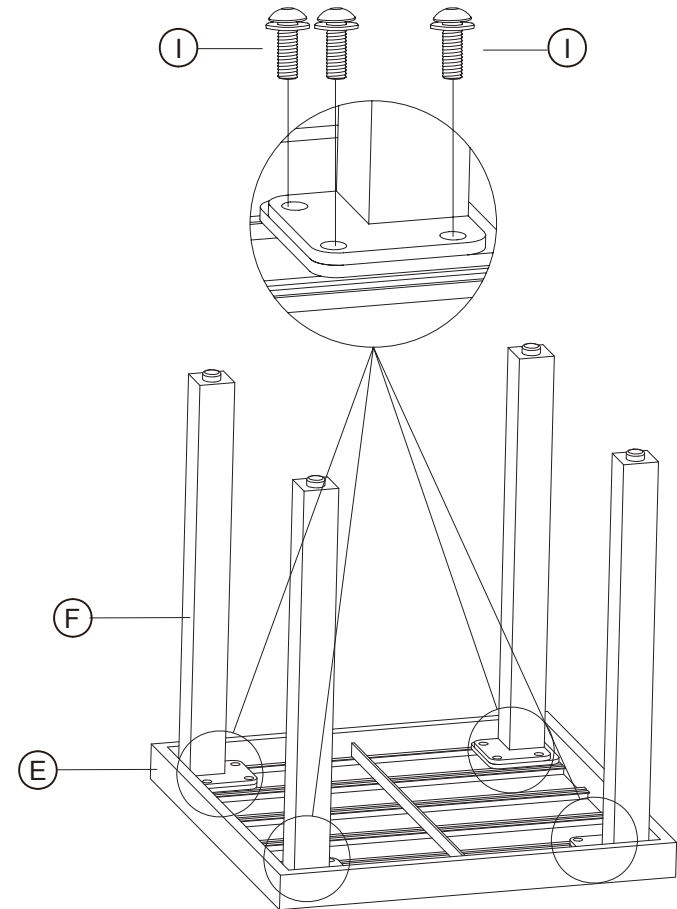
**(Part I)×12**  
M6\*15mm bolt with washer



**(Part J)×1**  
allen wrench



1. Attach the table leg (F) to the table top (E) by lining up the bolt holes on the table top (E) with the corresponding bolt holes on the table leg (F).
2. Secure with M6\*15mm bolt with washer (I) using allen wrench (J).
3. Repeat above step until the 4 table legs (F) are secured to the table top (E).



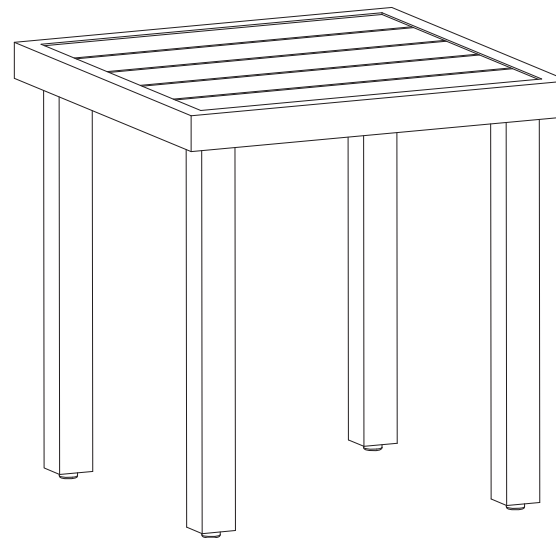
**Do not completely tighten screws until all screws are in place.**

## step 06:

---

- 
1. Tighten all the bolts.
  2. Turn the table to upright position onto a flat level surface.

You are now ready to enjoy your new table.



For longer life, cover and store when not in use.

**Frame Care:**

Wipe clean with damp cloth. Use only mild soap and detergents.

**Thank you for making your Patio purchase at Target! Please review your purchase on Target.com.**

**QUESTIONS?** Just call 855-MYTGTHOME (855-698-4846) for parts and service. For faster service, have the style number and DPCI number ready when when calling.

