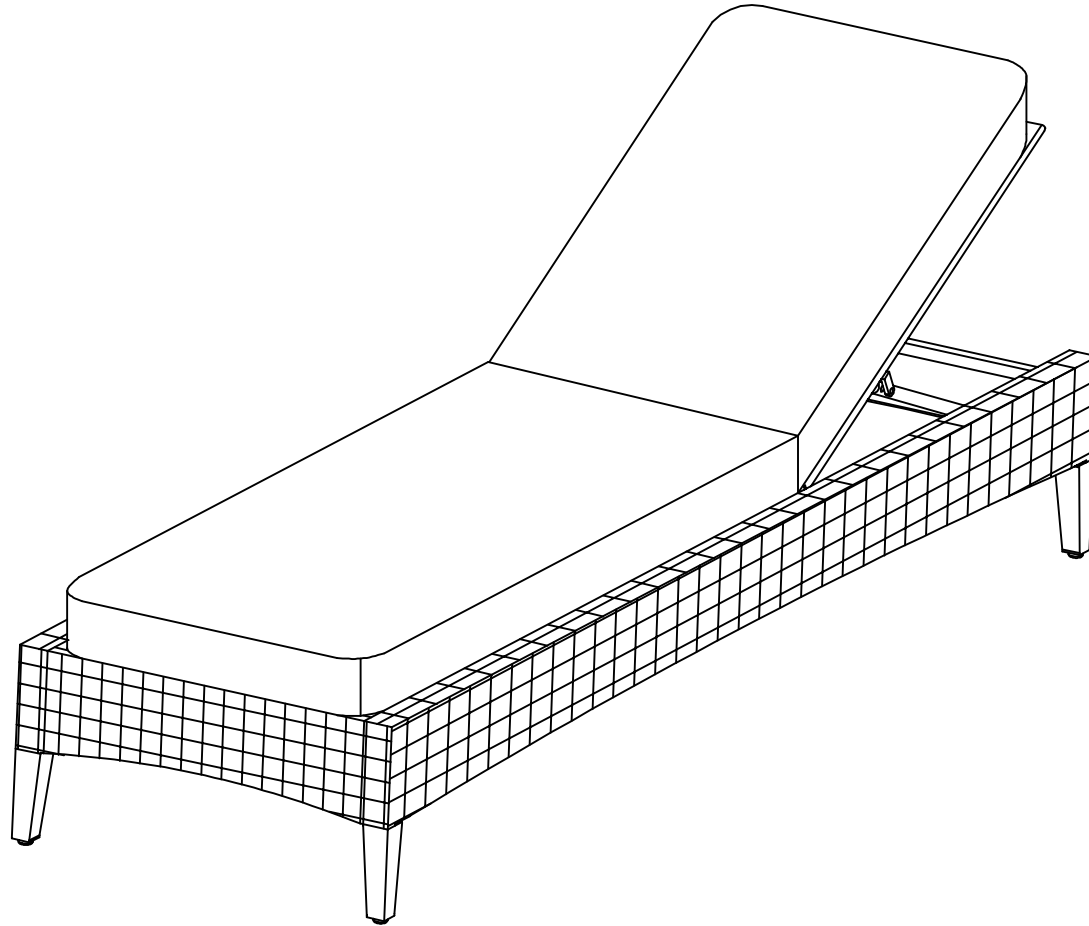


halsted

steel wicker chaise lounge

style # FBS80020-C1/C2/C3/C4

dpci # 009005410/5417/5424/8304/8313



>>assembly instructions



Congratulations on your latest Target purchase.

Now what? Don't start sweating over this box of parts. This will be easy. We did the hard work for you.

All you need to do is follow our simple instructions and you'll be on your way to transforming your patio in no time.

Good luck – though we're confident you won't need it.

IMPORTANT WARNING:

Unpack the box on a clean, soft, level surface and make sure all parts have been included.

To replace missing or damaged parts please call 855-MYTGTHOME (855-698-4846) during 7am - 7pm CST M-F, and 8am - 5pm CST Saturday.

ATTENTION:

This Chaise Lounge is not intended for use during any kind of inclement weather and the manufacturer is not, and can not be held responsible for any damages caused as a result of such weather. Weather-related damage, or damage as a result of the Chaise Lounge not being stored properly when not in use, is not the responsibility of the manufacturer.

During extended periods of non-usage, off season, or in inclement weather (wind, rain, snow, hail, sleet), freezing conditions and extreme heat, the Chaise Lounge needs to be stored in a dry, sheltered place to prolong the life and to avoid damage to the Chaise Lounge.

WARRANTY:

This Chaise Lounge comes with a one year limited warranty against original manufacture defects. If you experience trouble with your chaise lounge, please call the customer service number below.

Target Corporation

Toll Free at: 855-MYTGTHOME (855-698-4846) during 7am - 7pm CST M-F, and 8am - 5pm CST Saturday.

Code: Yotrio 2018

before you begin

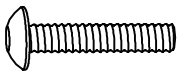
1. Check for damage or missing parts. Call 855-MYTGTHOME (855-698-4846) to order missing supplies.
2. Use the carton as a working surface to prevent product damage during assembly.
3. Gather all tools prior to assembly.

table of contents

introduction	2-3
hardware	5
parts list	6
assembly	7-12

hardware

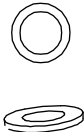
(Part E)×8
M6*25mm screw



(Part F)×2
M6*45mm screw



(Part G)×12
washer



(Part H)×2
M6 nut



(Part I)×1
allen wrench

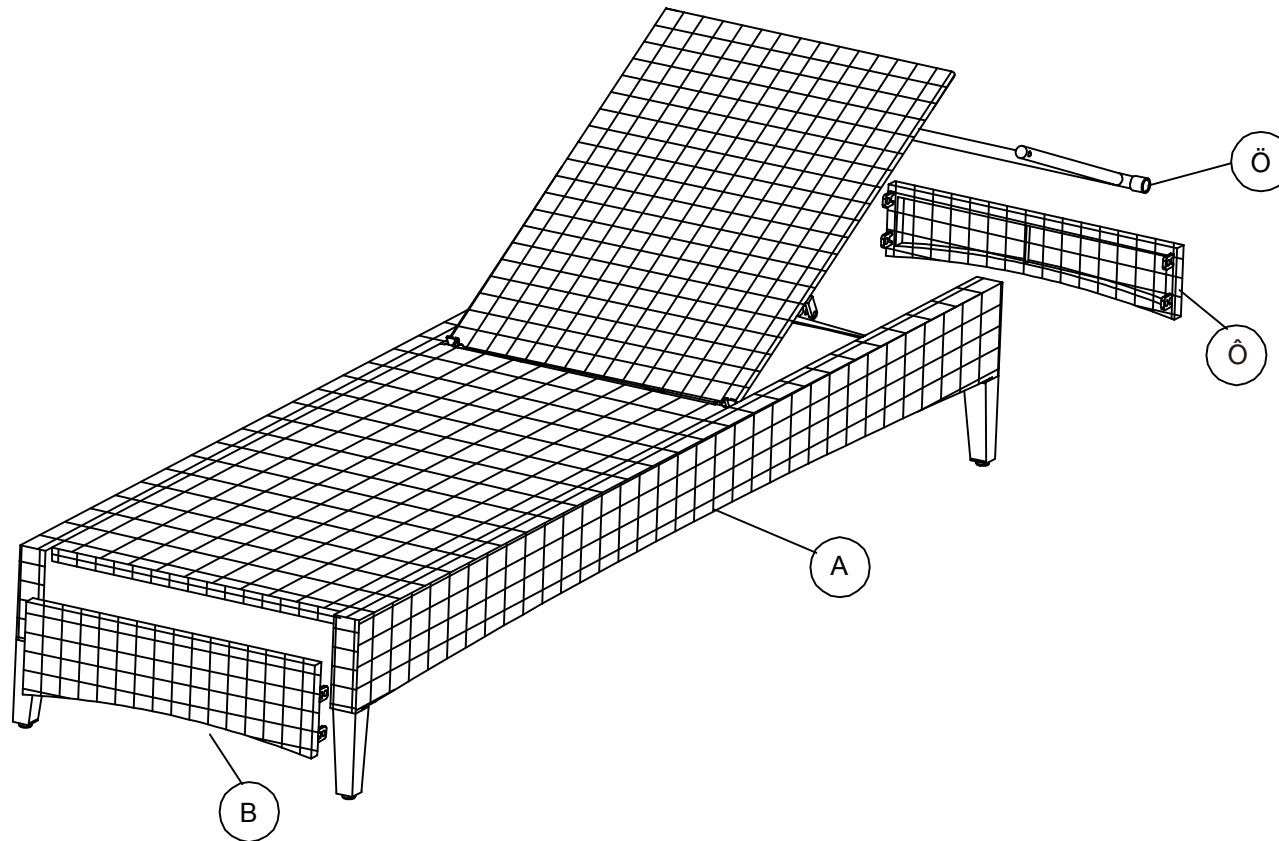


(Part J)×1
M6 wrench

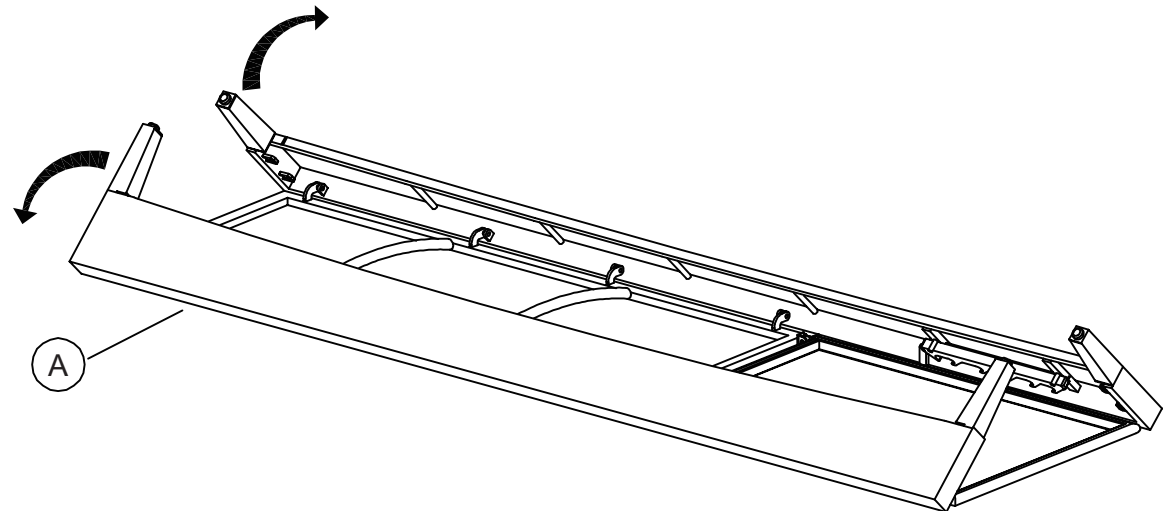


ITEM	DESCRIPTION	QUANTITY
------	-------------	----------

A	chaise frame	1
B	front wall	1
C	back wall	1
D	adjust lever	1



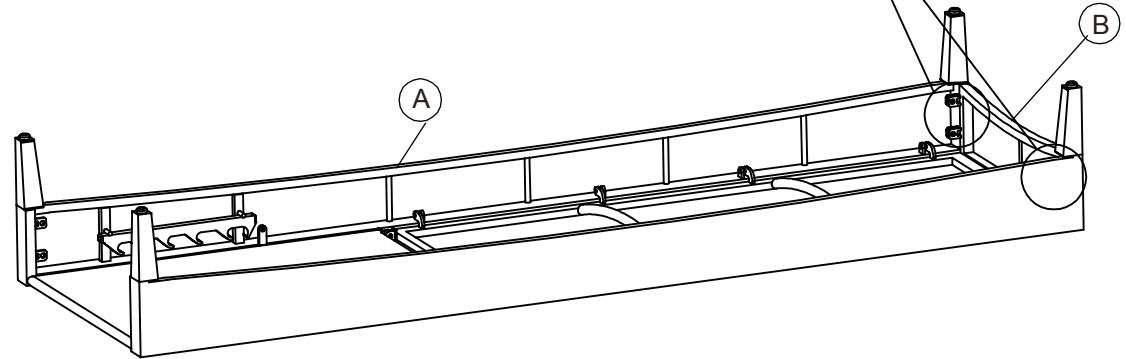
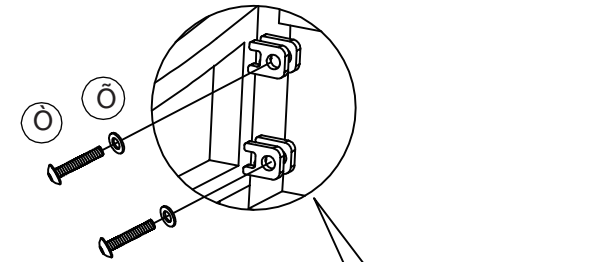
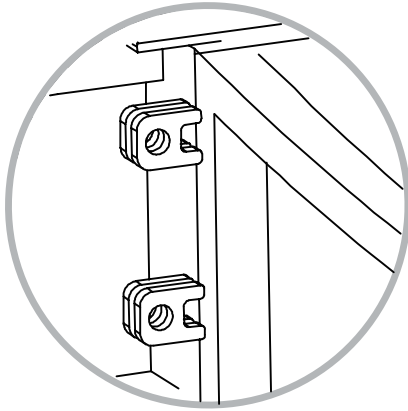
step 01:



ATTENTION: To avoid damage to your new patio furniture, please use either the carton or another soft surface such as carpet as a working surface to prevent product damage during assembly.

1. Take out  chaise frame (A), unfold  left side wall and right side wall.

step 02:



(Part E)×4
M6*25mm screw



(Part G)×4
washer



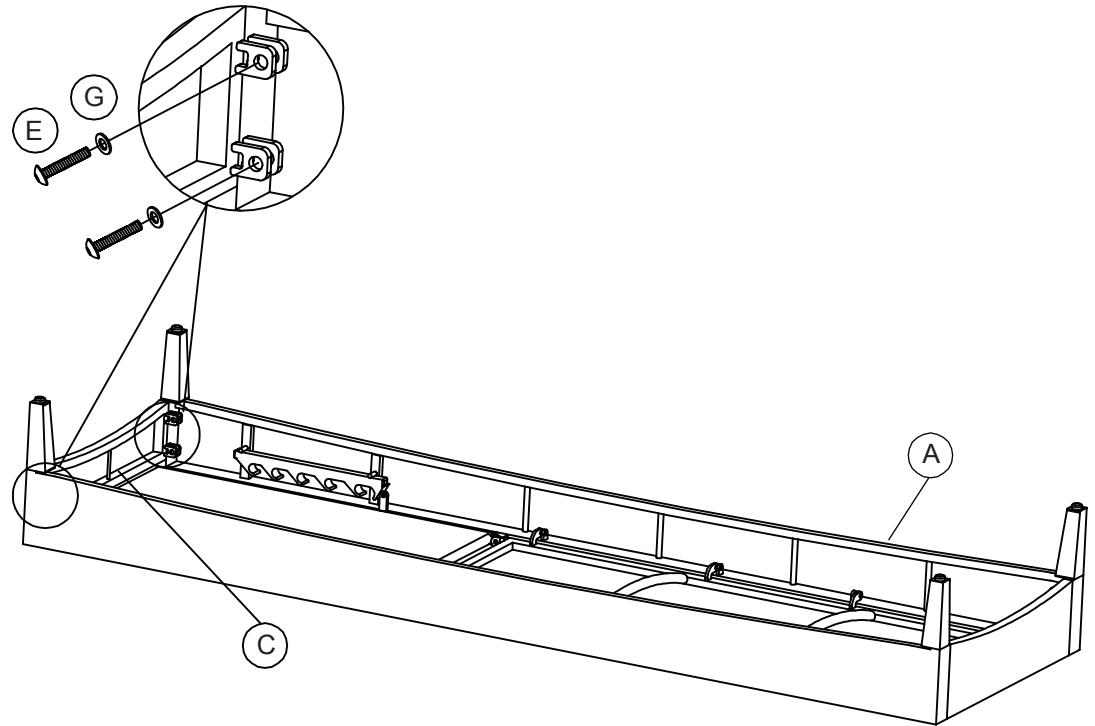
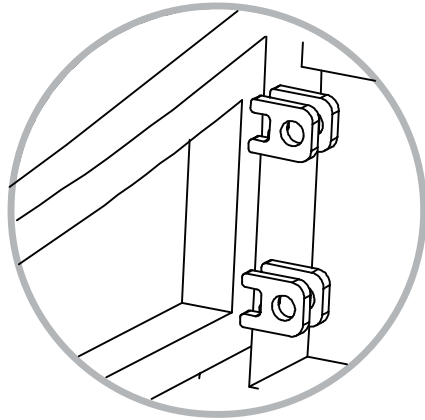
(Part I)×1
allen wrench



1. Attach front wall (B) to side wall of chaise frame (A) by lining up screw holes on side wall of chaise frame (A) with corresponding screw holes on front wall (B).
Secure with M6*25mm screws (E) and washers (G) using allen wrench (I).

Do not completely tighten screws until all screws are in place.

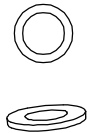
step 03:



(Part E)×4
M6*25mm screw



(Part G)×4
washer



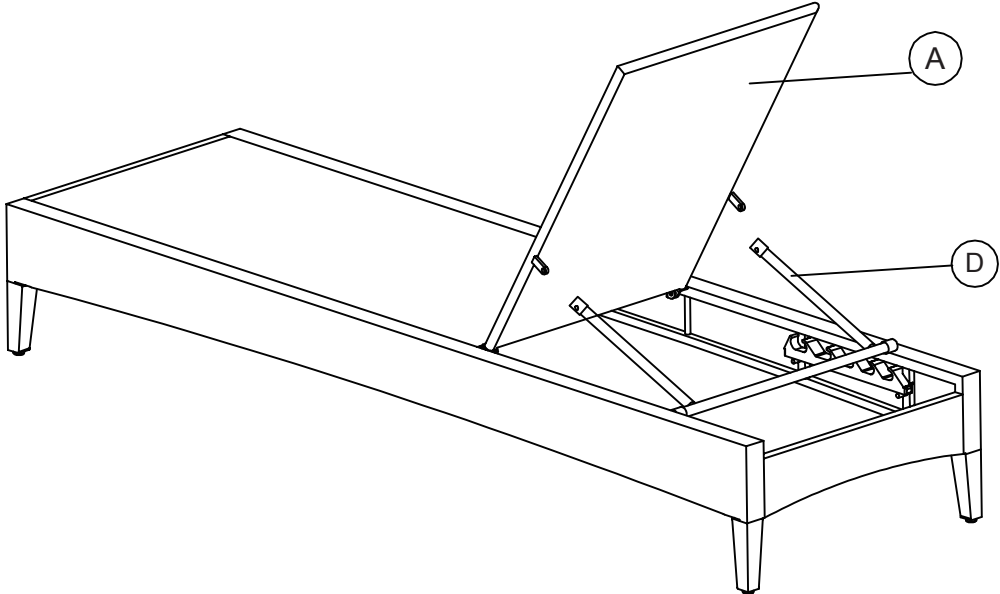
(Part I)×1
allen wrench



1. Attach the back wall (C) to the side wall of the chaise frame (A) by lining up screw holes on the side wall of the chaise frame (A) with corresponding screw holes on the back wall (C).
2. Secure with M6*25mm screws (E) and washers (G) using allen wrench (I).

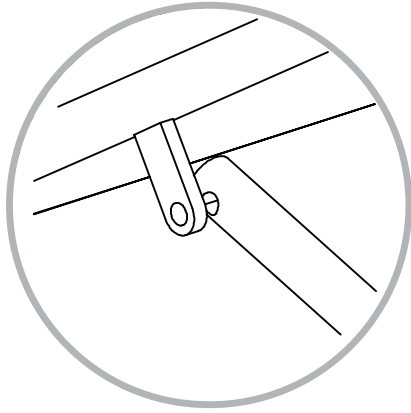
Do not completely tighten screws until all screws are in place.

step 04:



1. Insert the adjust lever (D) to the back of the chaise frame (A).

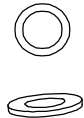
step 05:



(Part F)×2
M6*45mm screw



(Part G)×4
washer



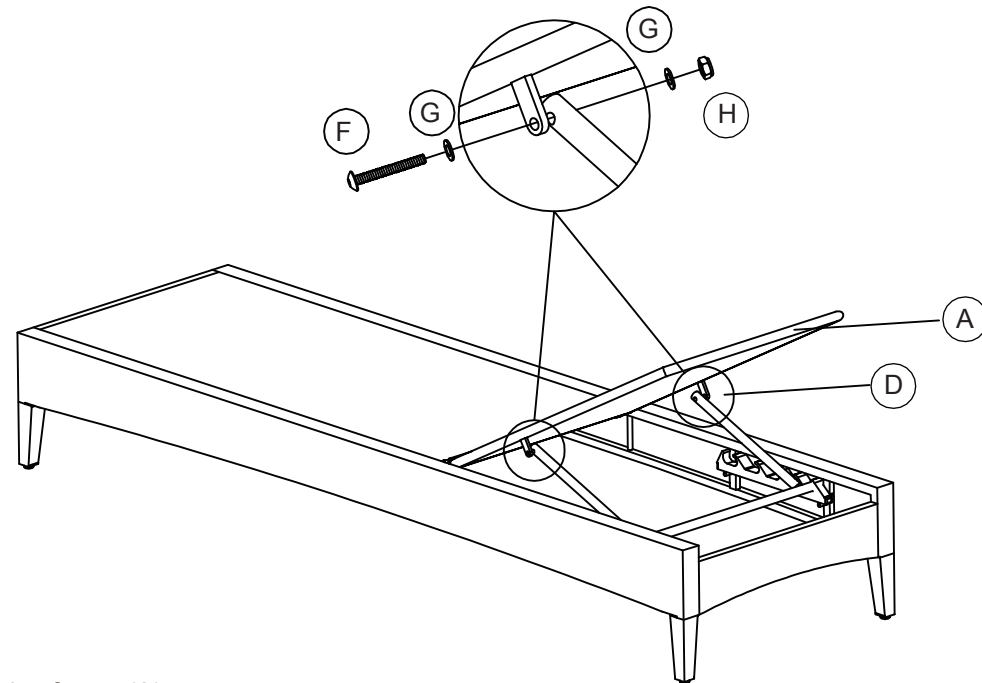
(Part H)× 2
M6 nut



(Part I)×1
allen wrench



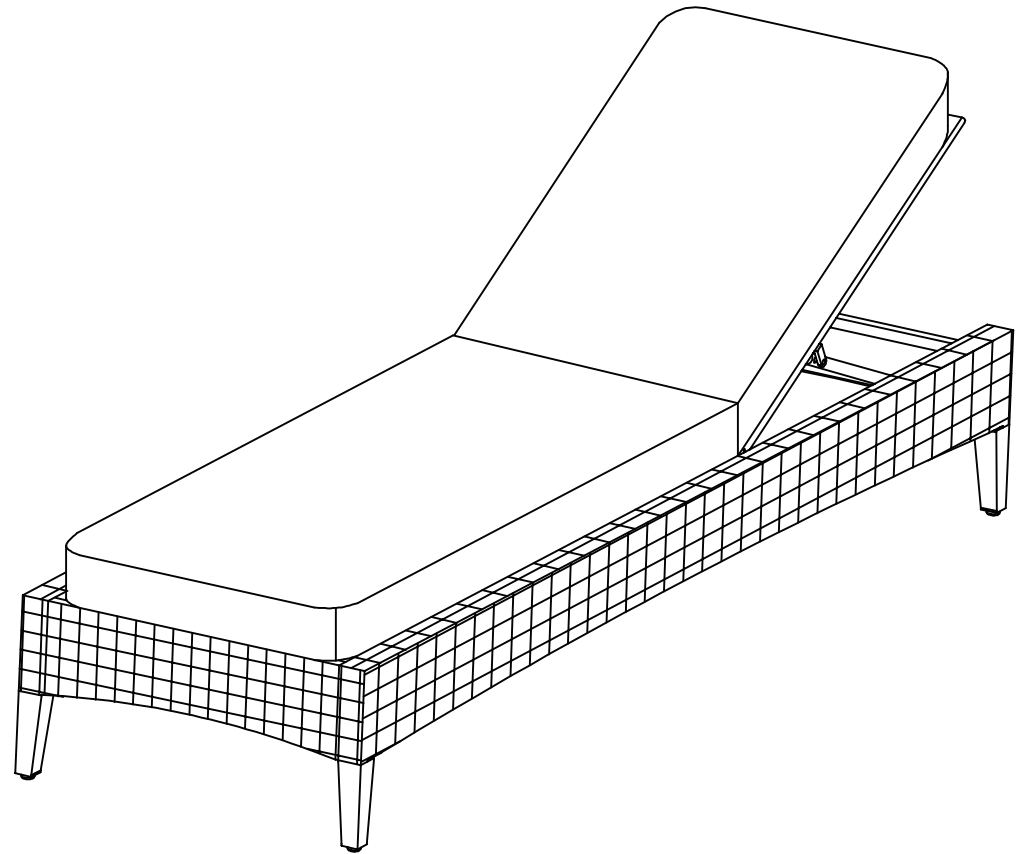
(Part J)×1
M6 wrench



1. Secure with M6*45mm screw (F) and washer (G) using allen wrench (I).
2. On the other side, secure with M6 nut (H) and washer (G) using M6 wrench (J).
3. Repeat above steps until the adjust lever (D) is secured into the back frame of the chaise frame (A).

Do not completely tighten screws until all screws are in place.

step 06:



-
1. Tighten all the screws, including the screws preassembled.
 2. Turn the chaise lounge to upright position on a flat level surface. Put the cushion on the chaise.

You are now ready to enjoy your new chaise lounge.

For longer life, cover and store when not in use.

Frame Care:

Wipe clean with damp cloth. Use only mild soap and detergents.

Thank you for making your Patio purchase at Target! Please review your purchase on Target.com.

