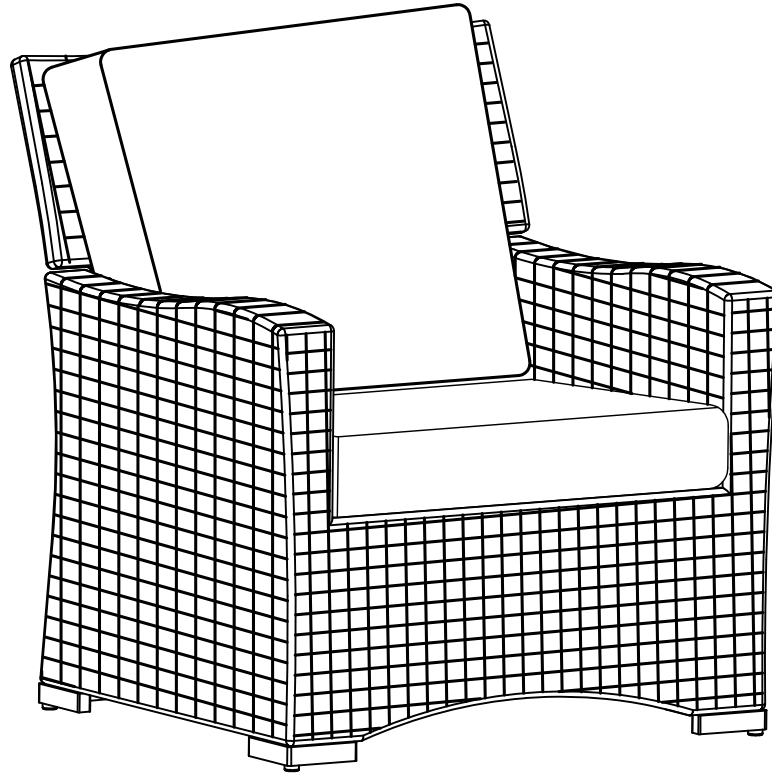


halsted

steel wicker club chair

style # FRS80712E-C1/C2/C3/C4/C5

dpci # 009005412/5419/5426/8305/8314



>>assembly instructions



Congratulations on your latest Target purchase.

Now what? Don't start sweating over this box of parts. This will be easy. We did the hard work for you. All you need to do is follow our simple instructions and you'll be on your way to transforming your patio in no time. Good luck – though we're confident you won't need it.

IMPORTANT WARNING:

Unpack the box on a clean, soft, level surface and make sure all parts have been included. To replace missing or damaged parts please call 855-MYTGTHOME (855-698-4846) during 7am - 7pm CST M-F, and 8am - 5pm CST Saturday.

ATTENTION:

This Chair is not intended for use during any kind of inclement weather and the manufacturer is not, and can not be, held responsible for any damages caused as a result of such weather. Weather-related damage, or damage as a result of the Chair not being stored properly when not in use, is not the responsibility of the manufacturer.

During extended periods of non-usage, off season, or in inclement weather (wind, rain, snow, hail, sleet), freezing conditions and extreme heat, the Chair needs to be stored in a dry, sheltered place to prolong the life and to avoid damage to the Chair.

WARRANTY:

This Chair comes with a one year limited warranty against original manufacture defects. If you experience trouble with your chair, please call the customer service number below.

Target Corporation

Toll Free at: 855-MYTGTHOME (855-698-4846) during 7am - 7pm CST M-F, and 8am - 5pm CST Saturday.

Code: Yotrio 2018

before you begin

1. Check for damage or missing parts. Call 855-MYTGTHOME (855-698-4846) to order missing supplies.
2. Use the carton as a working surface to prevent product damage during assembly.
3. Gather all tools prior to assembly.

table of contents

introduction	2-3
hardware	5
parts list	6
assembly	7-10

hardware

(Part C)×2
M6*30mm screw



(Part D)×2
washer

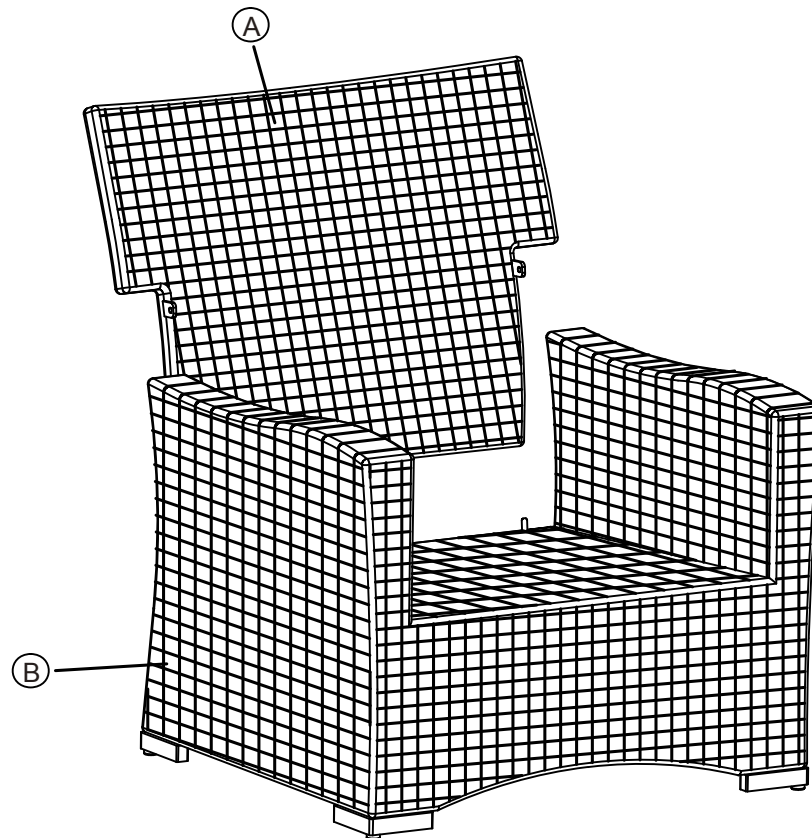


(Part E)×1
allen wrench

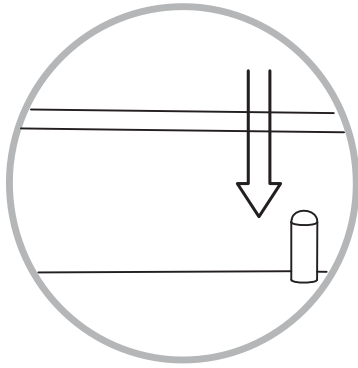


ITEM	DESCRIPTION	QUANTITY
------	-------------	----------

A	chair back	1
B	chair seat	1

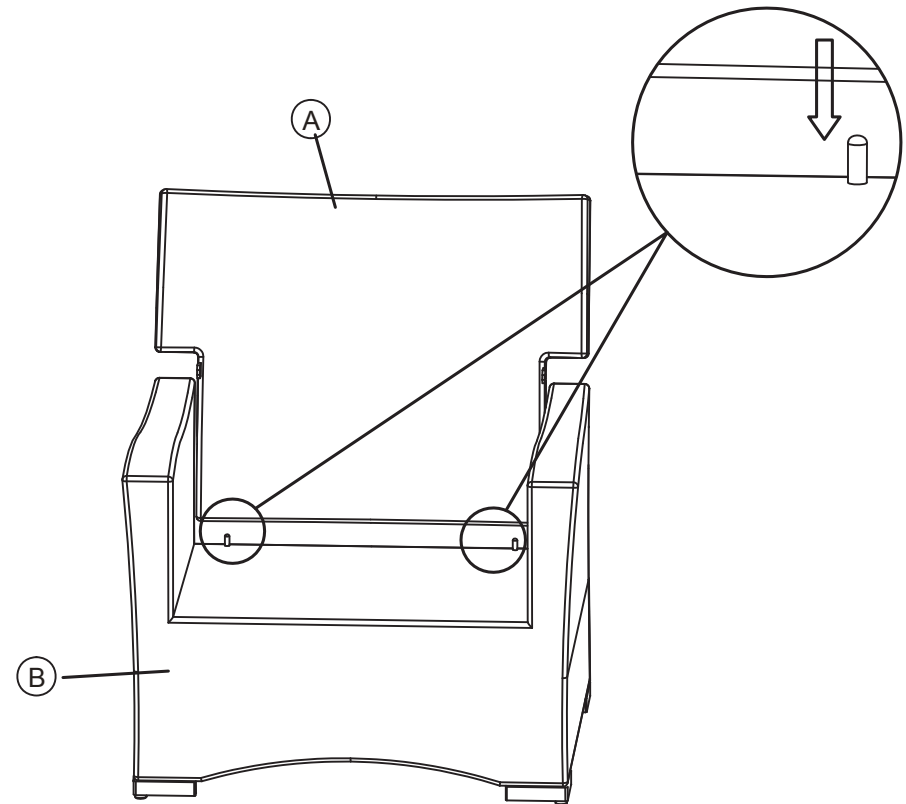


step 01:

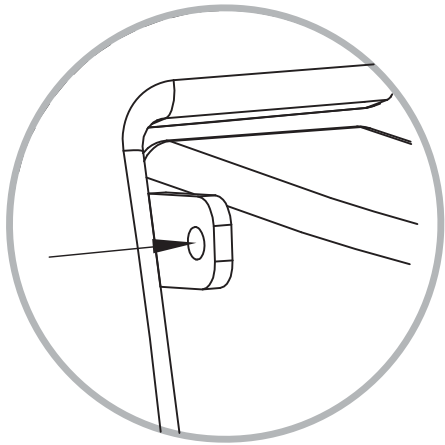


ATTENTION: To avoid damage to your new patio furniture, please use either the carton or another soft surface such as carpet as a working surface to prevent product damage during assembly.

1. Insert the chair back (A) to the pin on the chair seat (B).



step 02 :



(Part C)×1
M6*30 mm screw



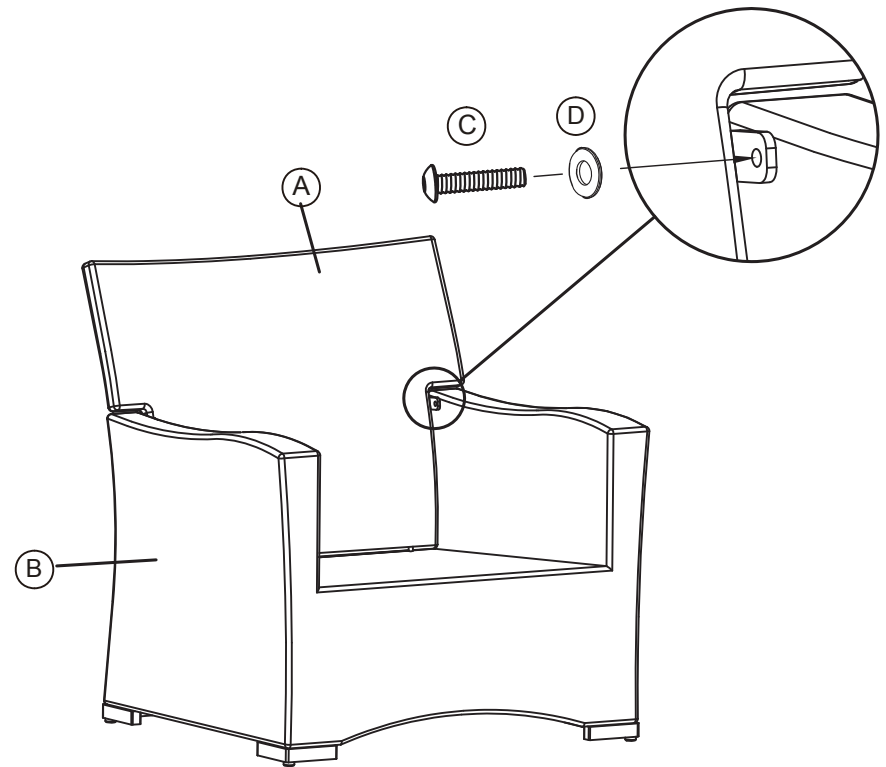
(Part D)×1
washer



(Part E)×1
allen wrench

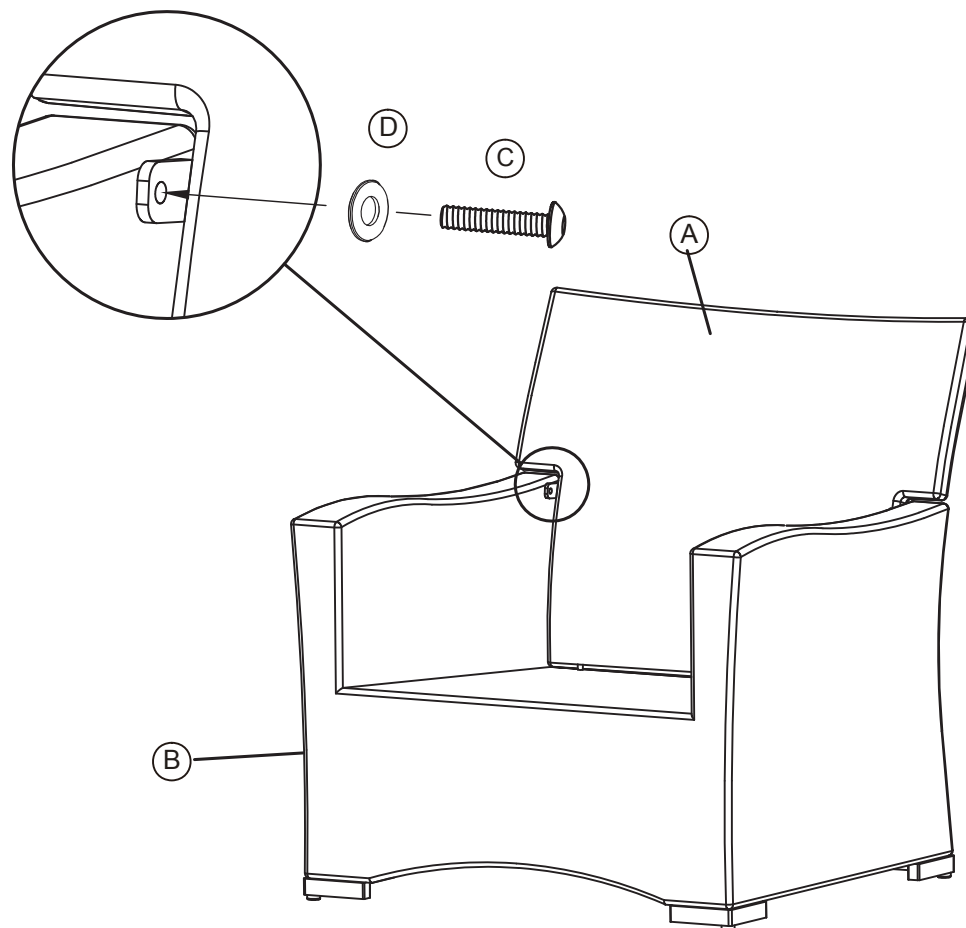
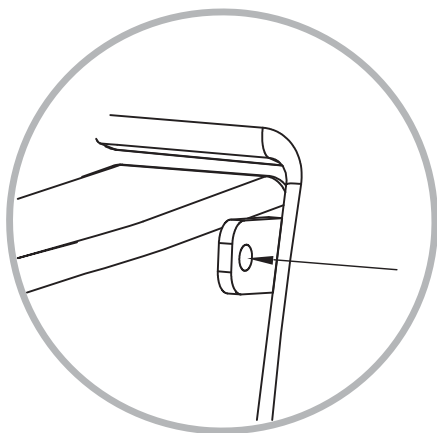


1. Line up screw hole on the left armrest of the chair seat (B), with corresponding screw hole (A).
Secure with M6*30mm screw (C) and washer (D) using allen wrench (E).



Do not completely tighten screws until all screws are in place.

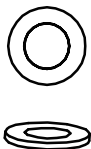
step 03 :



(Part C)×1
M6*30 mm screw



(Part D)×1
washer



(Part E)×1
allen wrench



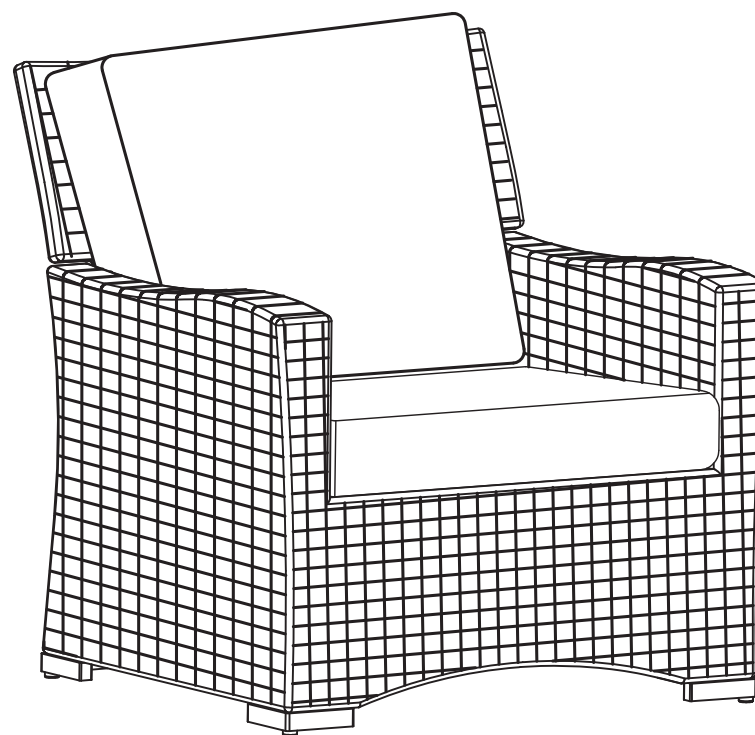
1. Line up screw hole on the right armrest of the chair seat (B) , with corresponding screw hole (A) .
Secure with M6*30mm screw (C) and washer (D) using allen wrench (E).

Do not completely tighten screws until all screws are in place.

step 04 :

-
1. Tighten all the screws.
 2. Turn the chair to upright position. Put the cushions on the chair.

You are now ready to enjoy your new chair.



For longer life, cover and store when not in use.

Frame Care:

Wipe clean with damp cloth. Use only mild soap and detergents.

Thank you for making your Patio purchase at Target! Please review your purchase on Target.com.

