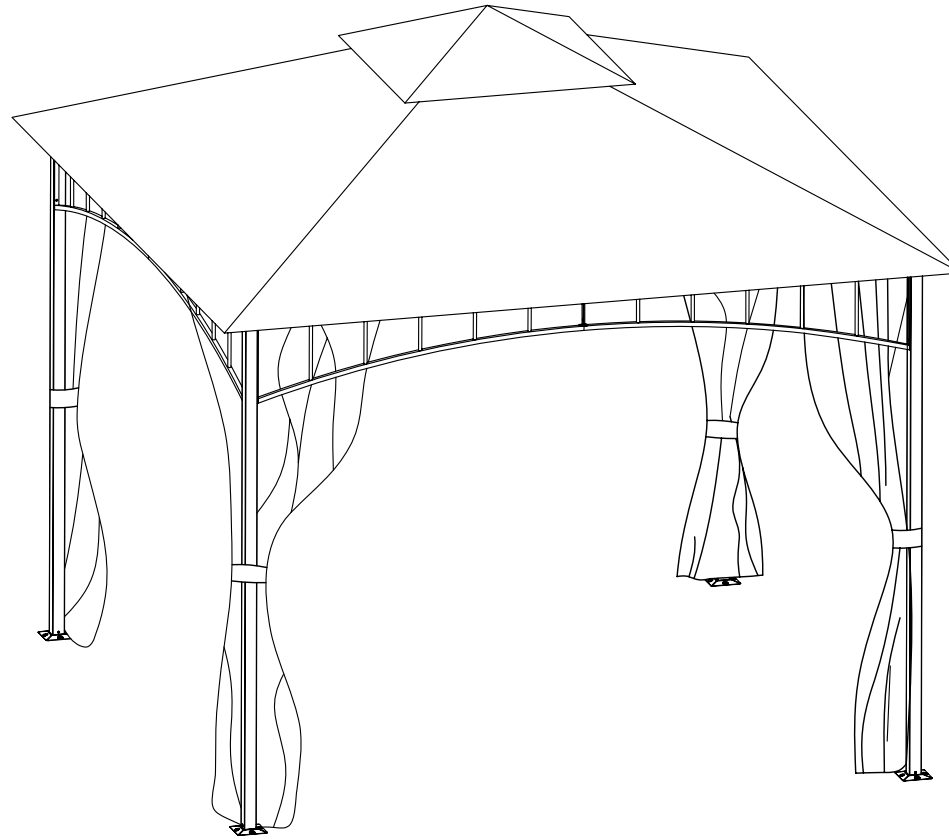


# Fairmont

10' x10' FT Steel Gazebo with Curtains

style # GFS20200A

dpci # 009050056



>>assembly instructions



## **Congratulations on your latest Target purchase.**

Now what? Don't start sweating over this box of parts. This will be easy. We did the hard work for you. All you need to do is follow our simple instructions and you'll be on your way to transforming your patio in no time. Good luck – though we're confident you won't need it.

## **IMPORTANT WARNING:**

Unpack the box on a clean soft level surface and make sure all parts have been included. To replace missing or damaged parts please call 855-MYTGTHOME (855-698-4846) during 7am - 7pm CST M-F, and 8am - 5pm CST Saturday.

## **ATTENTION:**

This Gazebo is not intended for use during any kind of inclement weather and the manufacturer is not, and can not be held responsible for any damages caused as a result of such weather. Weather-related damage, or damage as a result of the Gazebo not being stored properly when not in use, is not the responsibility of the manufacturer.

During extended periods of non-usage, off season, or in inclement weather (wind, rain, snow, hail, sleet), freezing conditions and extreme heat, the Gazebo needs to be stored in a dry, sheltered place to prolong the life and to avoid damage to the Gazebo.

## **WARRANTY:**

This Gazebo comes with a one year limited warranty against original manufacture defects. If you experience trouble with your Gazebo, please call the customer service number below.

Target Corporation

Toll Free at: 855-MYTGTHOME (855-698-4846) during 7am - 7pm CST M-F, and 8am - 5pm CST Saturday.

Code: Yotrio 2020

## **before you begin**

1. Check for damage or missing parts. Call 855-MYTGTHOME (855-698-4846) to order missing supplies.
2. Use the carton as a working surface to prevent product damage during assembly.
3. Gather all tools prior to assembly.
4. This Gazebo is heavy, may require two to four adults for safe assembly.

## table of contents

---

introduction	2-3
hardware	5
parts list	6
assembly	7-17

# hardware

---

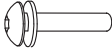
**(Part O)×36**

M6\*15mm bolt with washer



**(Part P)×28**

M6\*30mm bolt with washer



**(Part Q)×20**

nut



**(Part R)×16**

ground spike



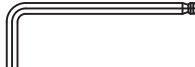
**(Part S)×1**

wrench



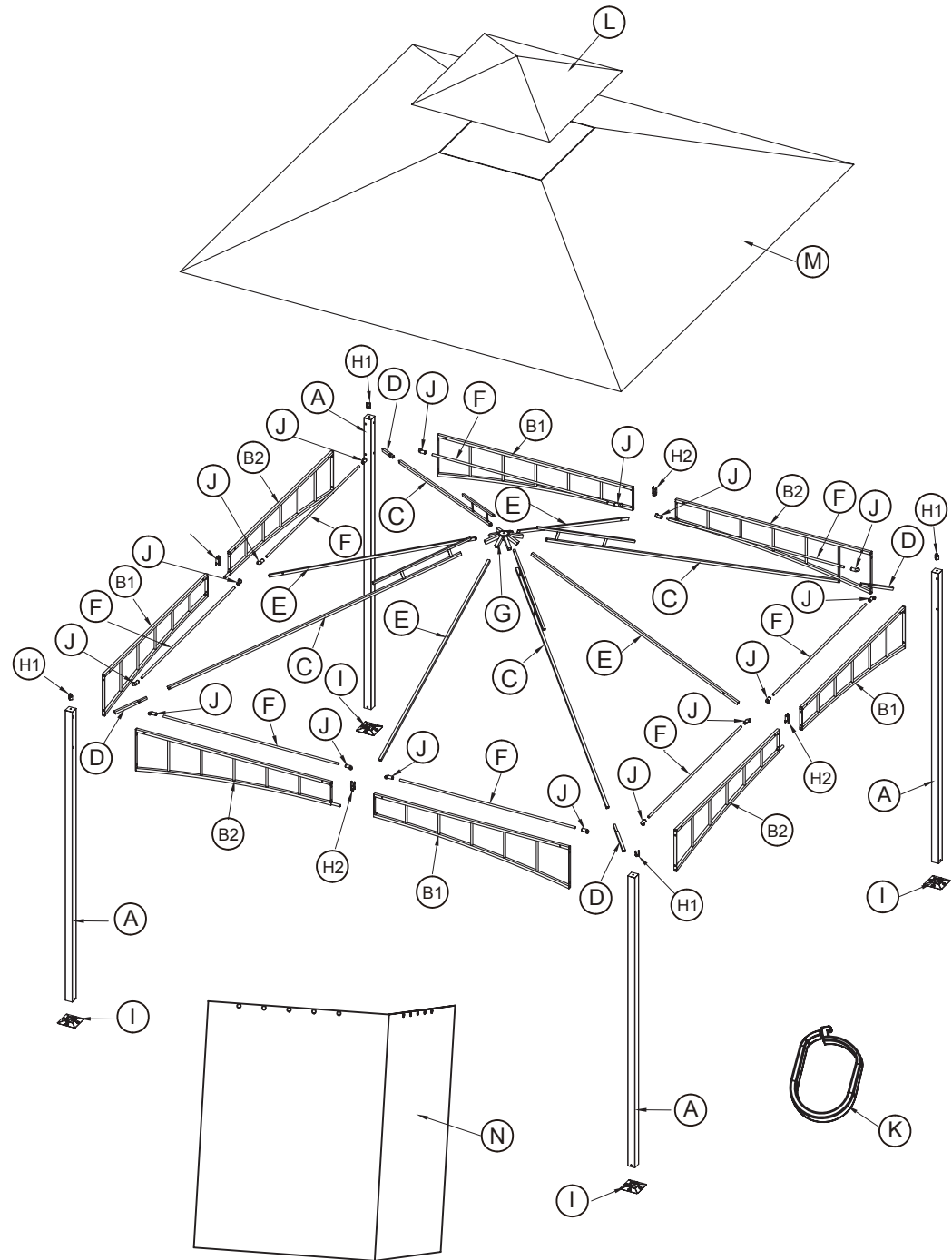
**(Part T)×2**

allen wrench



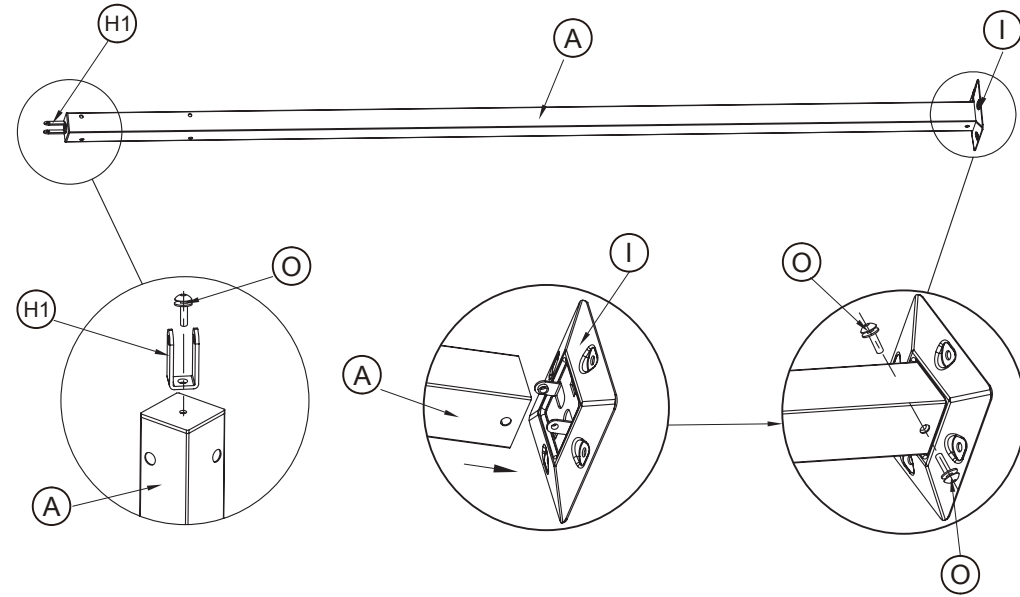
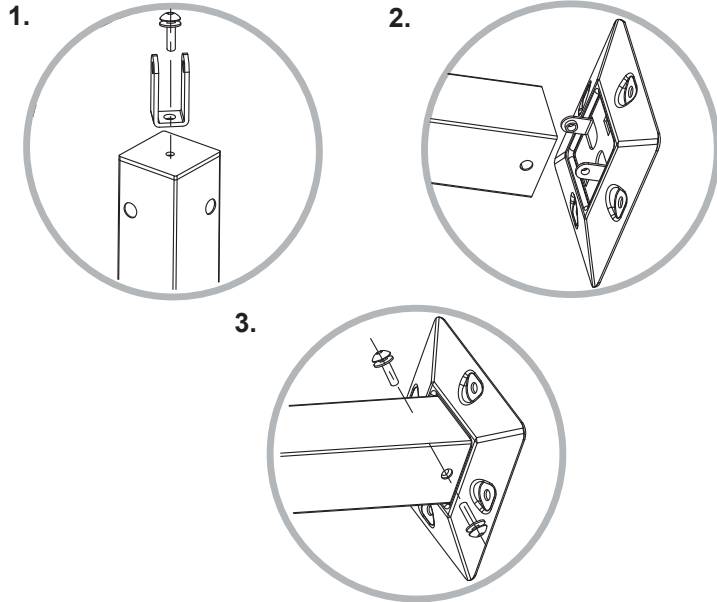
ITEM	DESCRIPTION	QUANTITY
------	-------------	----------

A	post leg	4
B1	beam1	4
B2	beam2	4
C	corner inclined tube	4
D	inclined tube	4
E	middle inclined tube	4
F	shade rod	8
G	top connector	1
H1	U-shaped part1	4
H2	U-shaped part2	4
I	post base	4
J	tube connector	16
K	connection buckle	40
L	top canopy	1
M	canopy	1
N	curtain	4



## step 01:

---



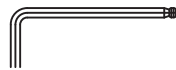
(Part O)×12

M6\*15mm bolt with washer



(Part T)×1

allen wrench

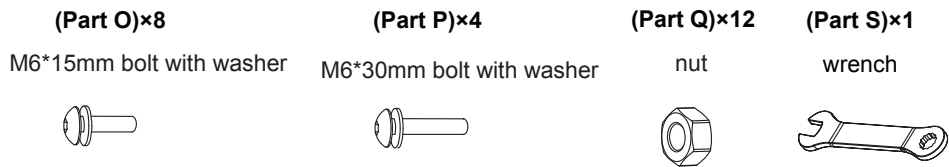
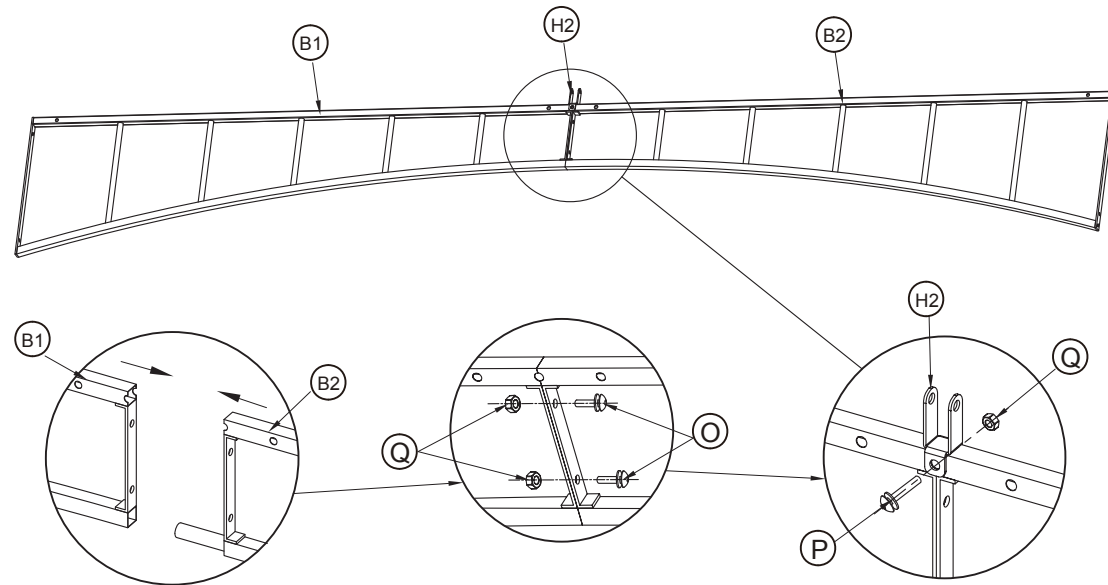
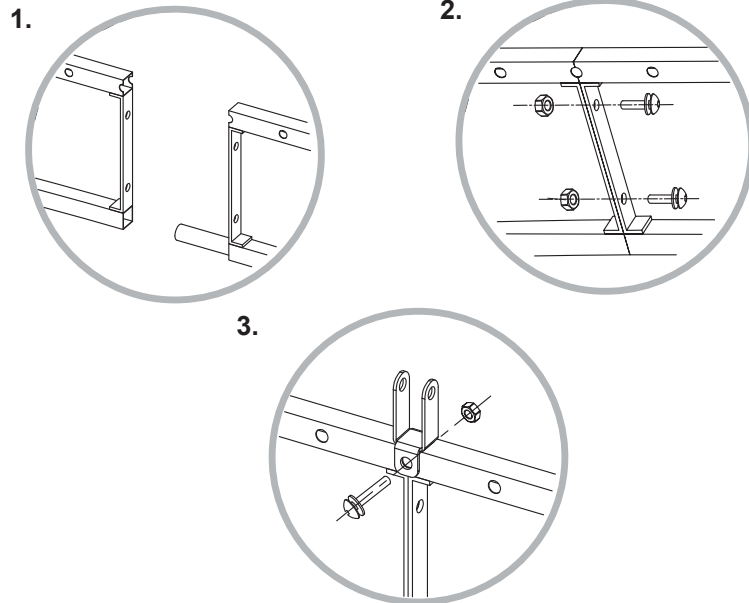


**ATTENTION:** To avoid damage to your new gazebo, please use either the carton or another soft surface such as carpet as a working surface to prevent product damage during assembly.

1. Attach the U-shaped part 1 (H1) to the post leg (A), secure with M6\*15mm bolt with washer (O) using the allen wrench (T).
2. Insert the post base (I) into the post leg (A), secure with M6\*15mm bolt with washer (O) using the allen wrench (T).
3. Repeat above steps until 4 U-shaped part 1 (H1) and post base (I) are secured to the post leg (A).

**Do not completely tighten screws until all screws are in place.**

## step 02:

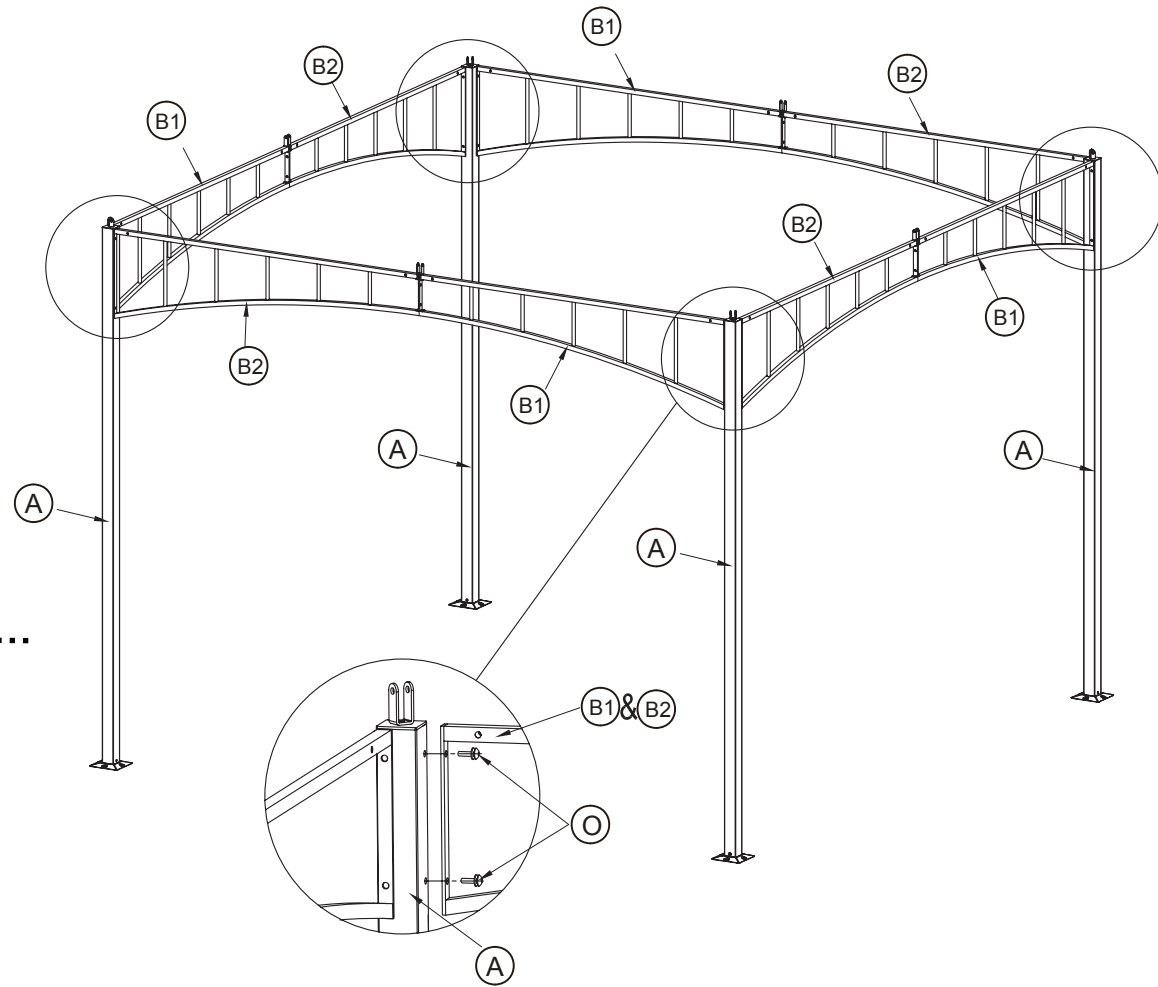
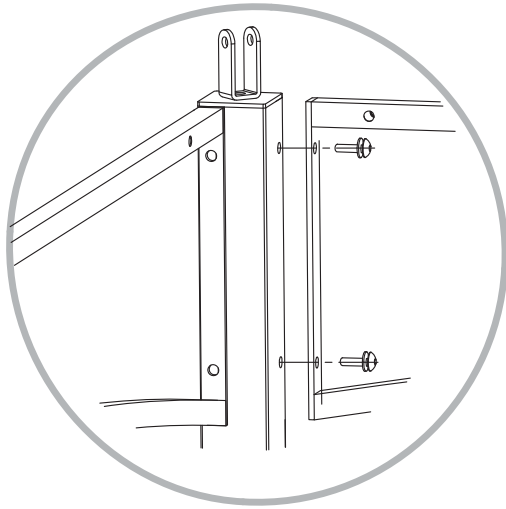


1. Attach the beam1(B1) to the beam2(B2), secure with M6\*15mm bolt with washer(O) and nut(Q) using the wrench(S).
2. Insert the U-shaped part2 (H2) between the connector bar1 (B1) and the connector bar2(B2), secure with M6\*30mm bolt with washer(P) and nut(Q) using the wrench(S).
3. Repeat above steps until the 8 beam (B1&B2) are secured together.

**Do not completely tighten screws until all screws are in place.**



## step 03:



(Part O)×16

M6\*15mm bolt with washer



(Part T)×1

allen wrench

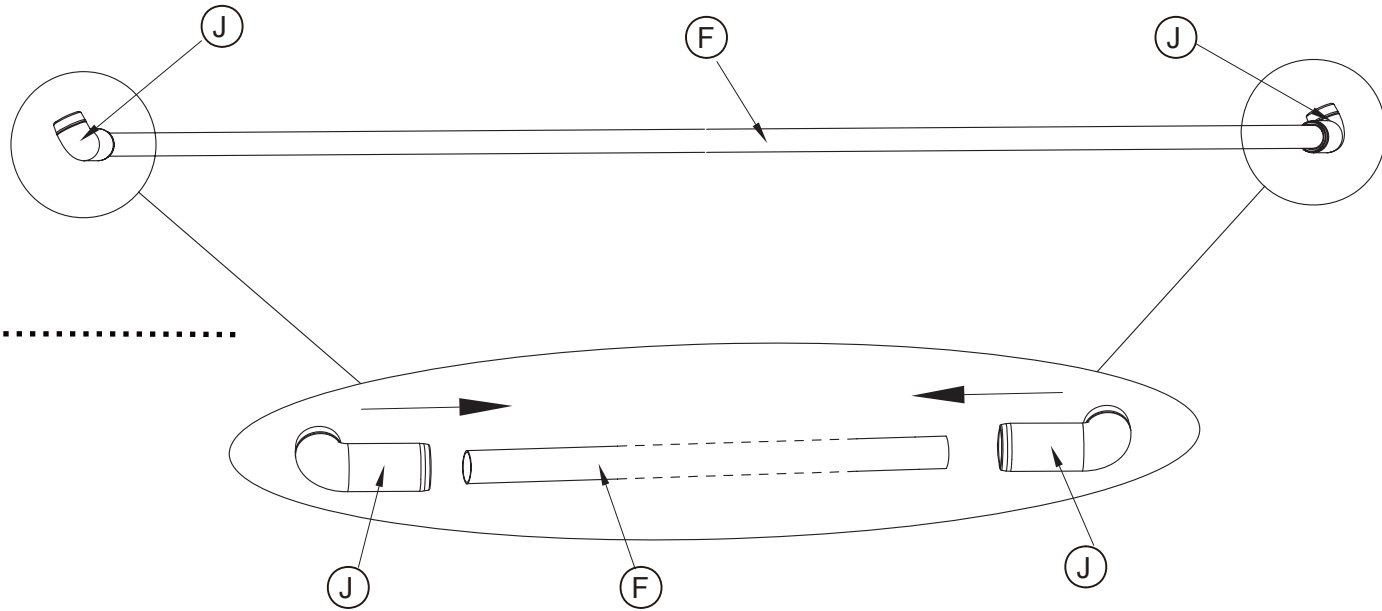
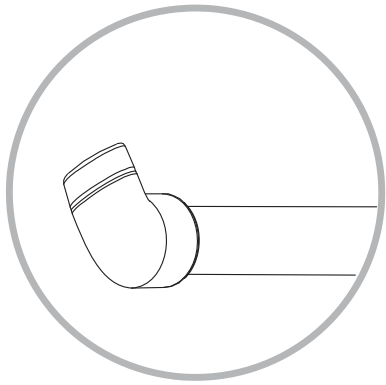


1. Attach the beam1& beam2 (B1&B2) to the post leg (A), secure with M6\*15mm bolt with washer (O) using allen wrench (T).
2. Repeat above step until the 8 beam1& beam2 (B1&B2) are secured to the post leg (A).

**Do not completely tighten screws until all screws are in place.**

## step 04:

---

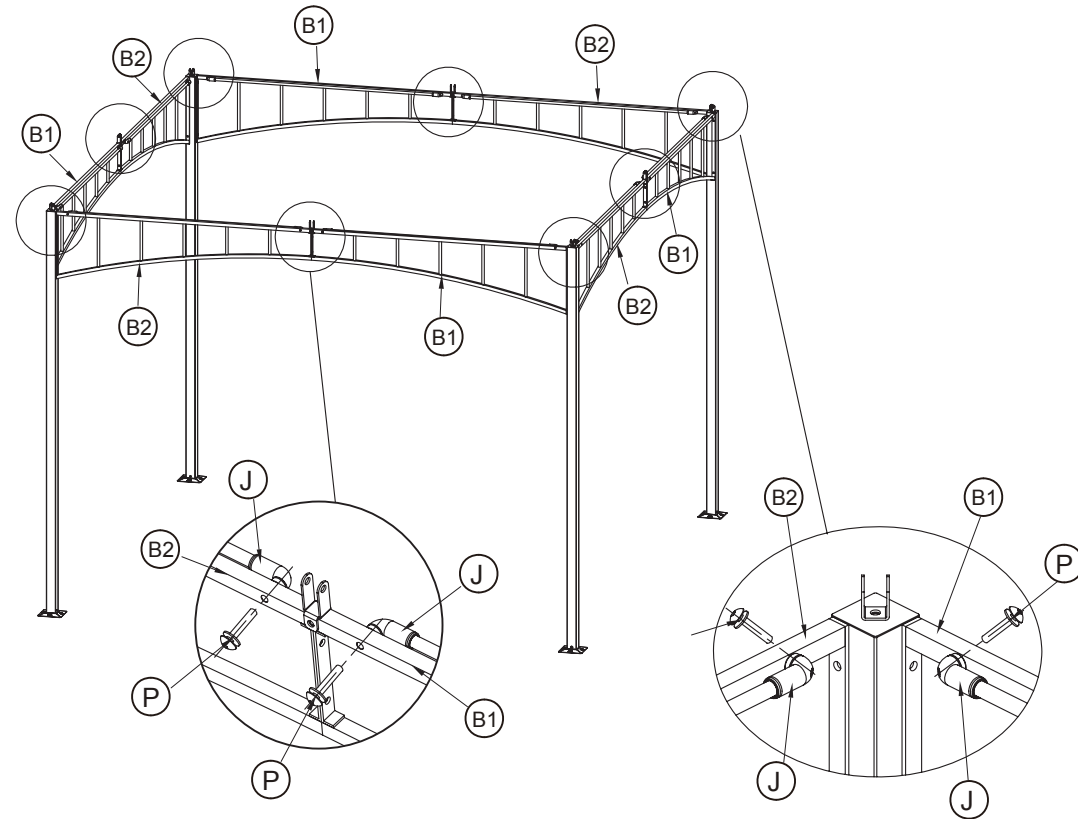
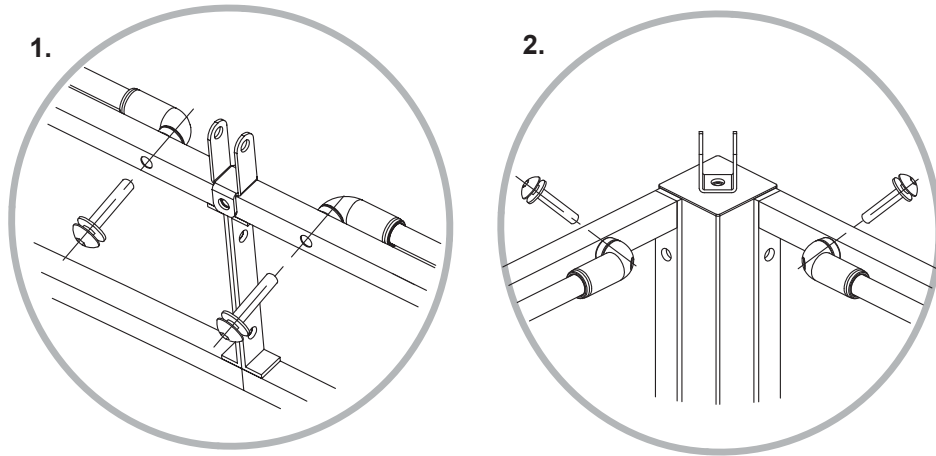


1. Attach the tube connector (J) to the shade rod (F).
2. Repeat above step until the 8 tube connectors (J) are attached to the shade rod (F).

**Do not completely tighten screws until all screws are in place.**

## step 05:

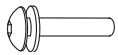
---



---

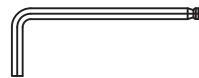
**(Part P)×16**

M6\*30 mm bolt with washer



**(Part T)×1**

allen wrench



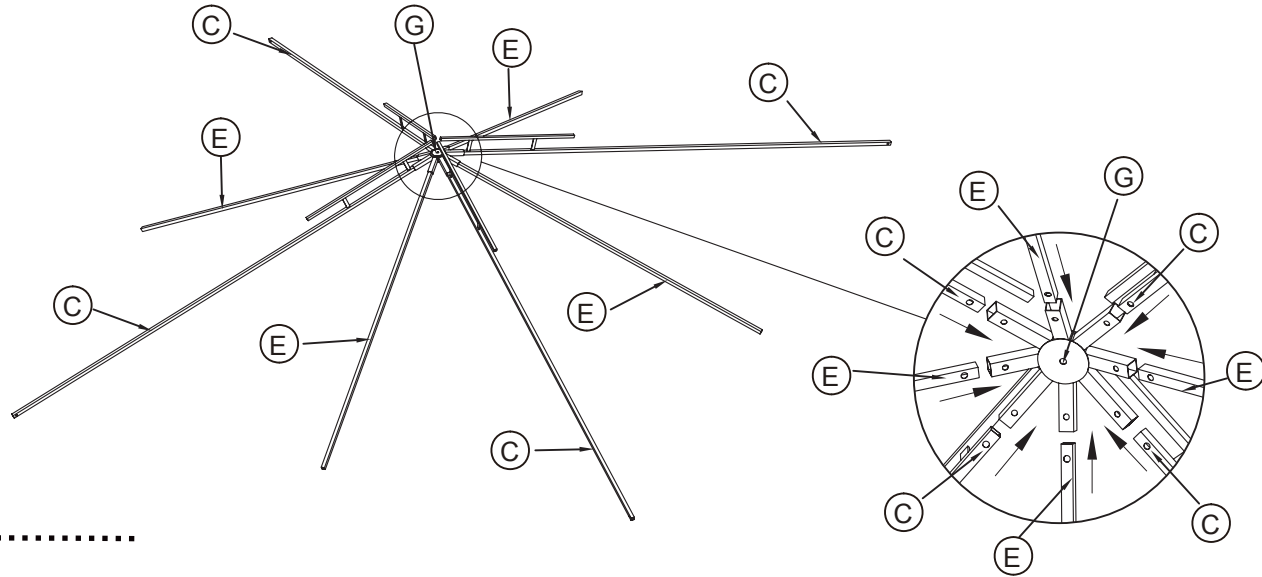
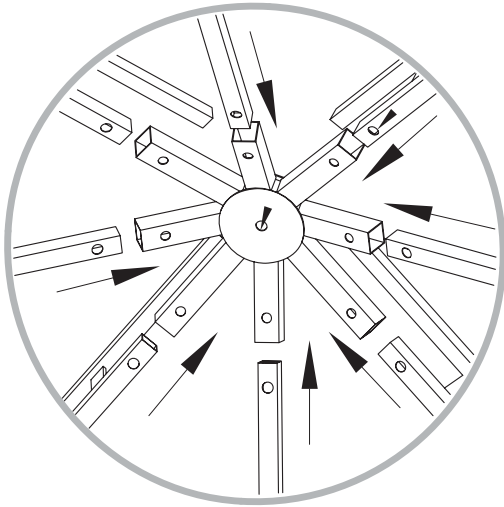
1. Attach the tube connector(J) to the beam1& beam2 (B1&B2), secure with M6\*30mm bolt with washer(P) using the allen wrench (T).

2. Repeat above steps until 8 tube connectors (J) are secured with the beam1& beam2 (B1&B2).

**Do not completely tighten screws until all screws are in place.**

## step 06:

---

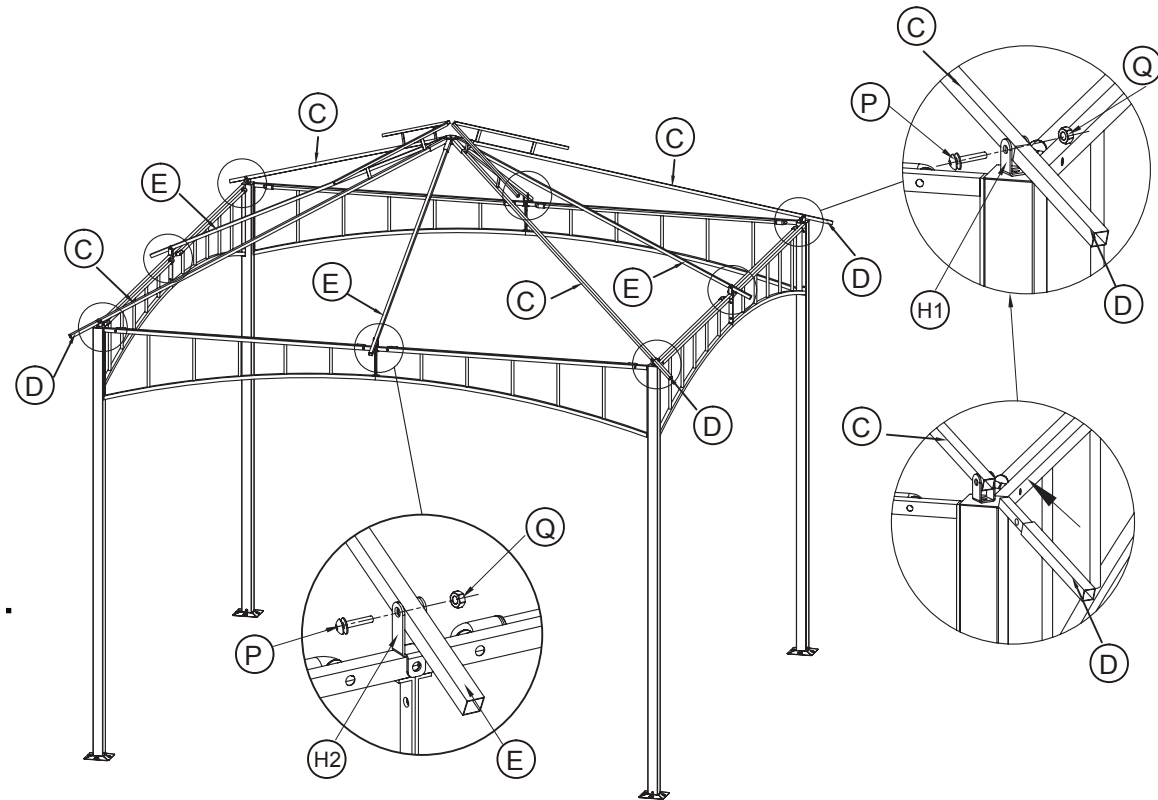
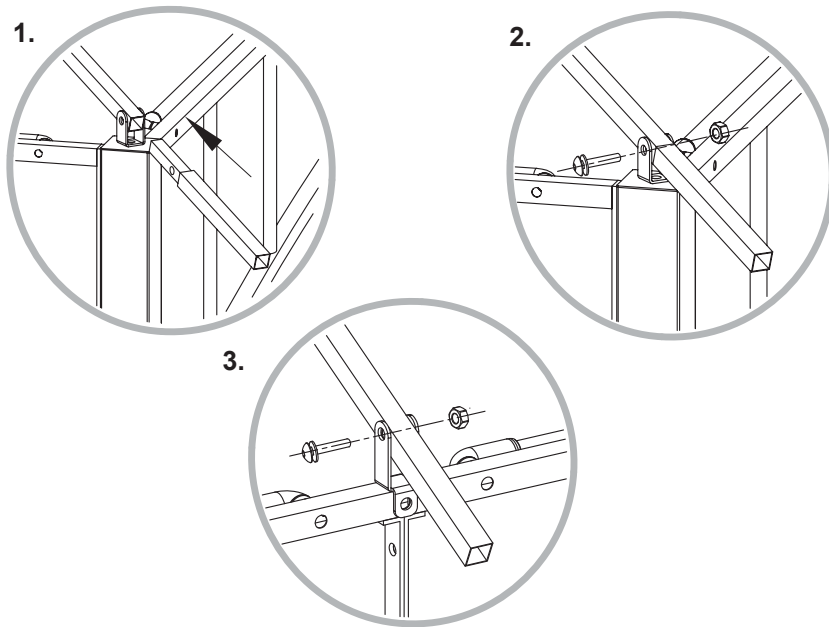


---

1. Attach the corner inclined tube (C) and middle inclined tube (E) to the top connector (G).

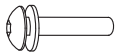
**Do not completely tighten screws until all screws are in place.**

## step 07:



**(Part P)×8**

M6\*30mm bolt with washer



**(Part T)×1**

allen wrench



**(Part Q)×8**

nut



**(Part S)×1**

wrench

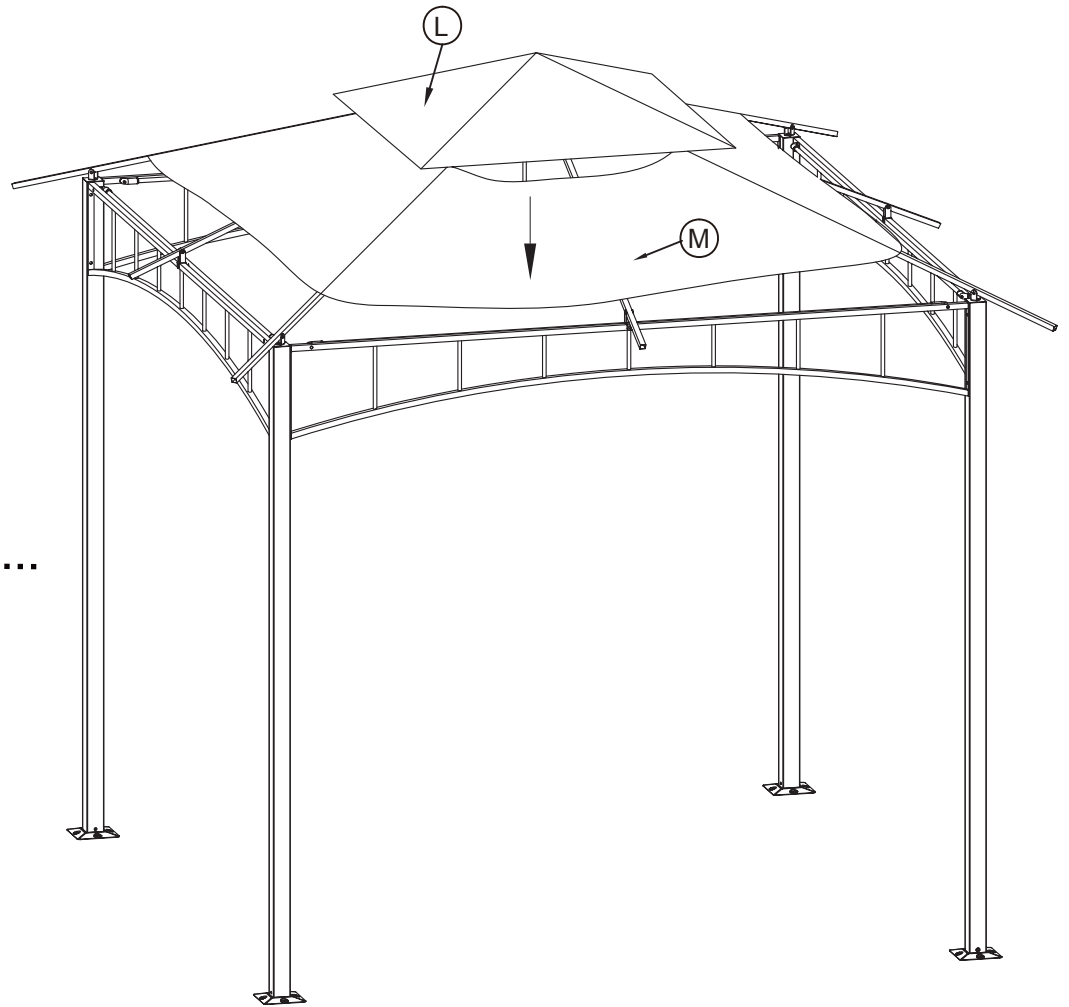


1. Attach the corner inclined tube (C) and inclined tube(D) to U-shaped part 1 (H1), secure with M6\*30mm bolt with washer (P) and nut (Q) using allen wrench (T) and wrench (S).
2. Attach the middle inclined tube (E) to U-shaped part 2 (H2), secure with M6\*30mm bolt with washer (P) and nut (Q) using allen wrench (T) and wrench (S).
3. Repeat above steps until the 4 corner inclined tubes (C) and inclined tube(D) are secured to the U-shaped part 1 (H1), and the 4 middle inclined tubes (E) are secured to the U-shaped part2(H2).

**Do not completely tighten screws until all screws are in place.**

## step 08:

---



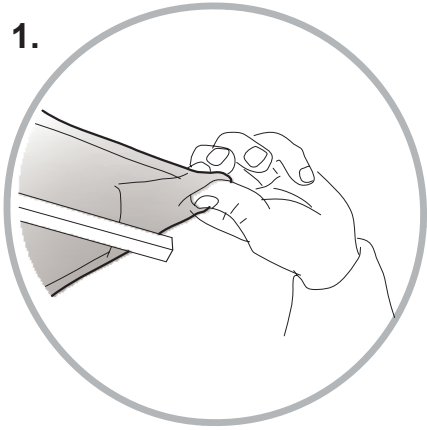
- 
1. Attach the canopy (M) and top canopy (L) on the top.

**Do not completely tighten screws until all screws are in place.**

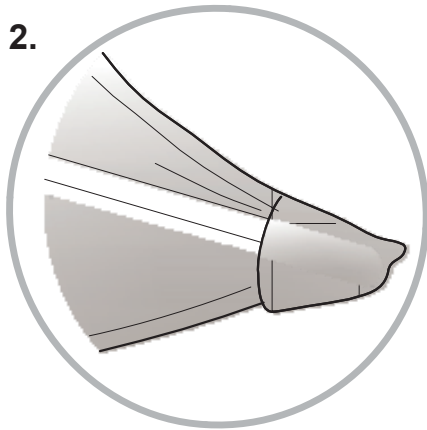
## step 09:

---

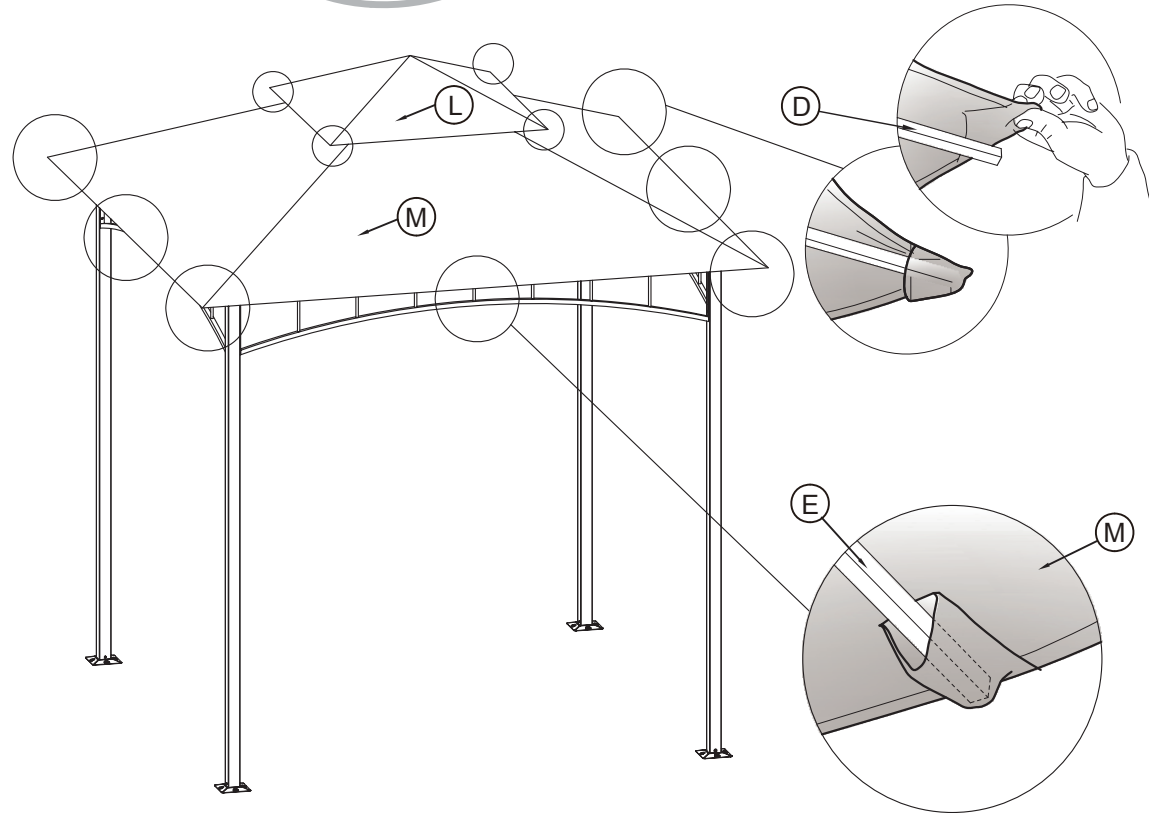
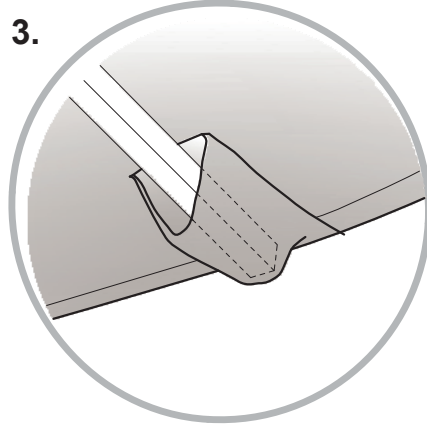
1.



2.



3.

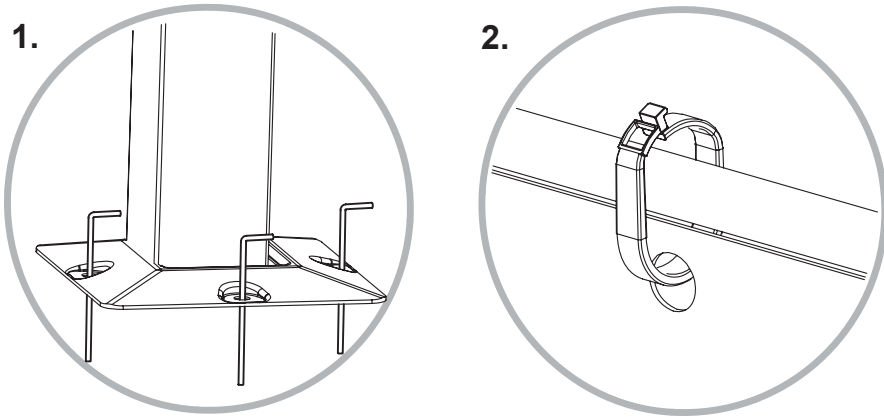


1. Slip the corner inclined tube (D) and middle inclined tube (E) into the top canopy (L) and canopy (M).

**Do not completely tighten screws until all screws are in place.**

## step 10:

---

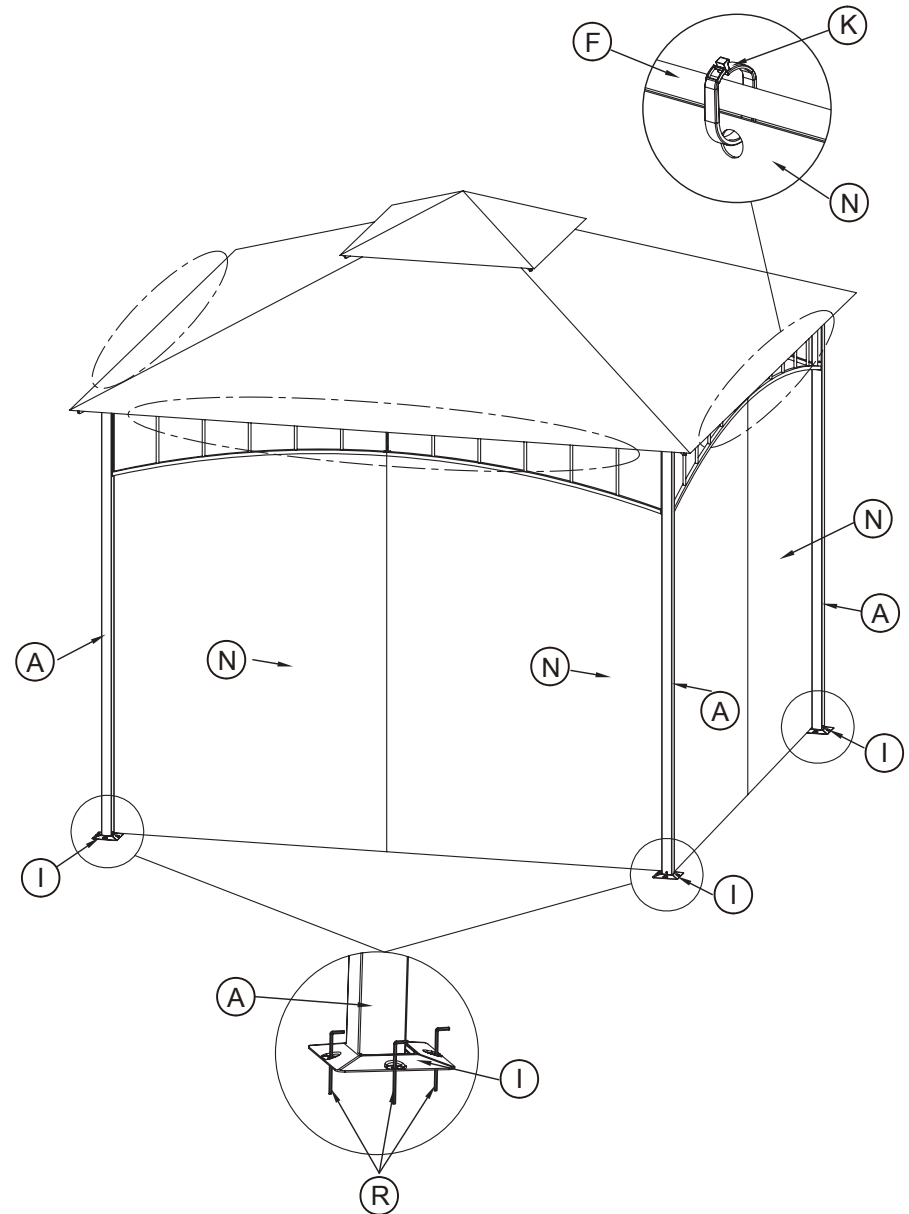


---

(Part R)×16  
ground spike



1. Hanging the curtain (N) to the beam (B) by using the connection buckle (K).
2. Insert the ground spikes (R) through the post base (I) and into ground.



**Do not completely tighten screws until all screws are in place.**



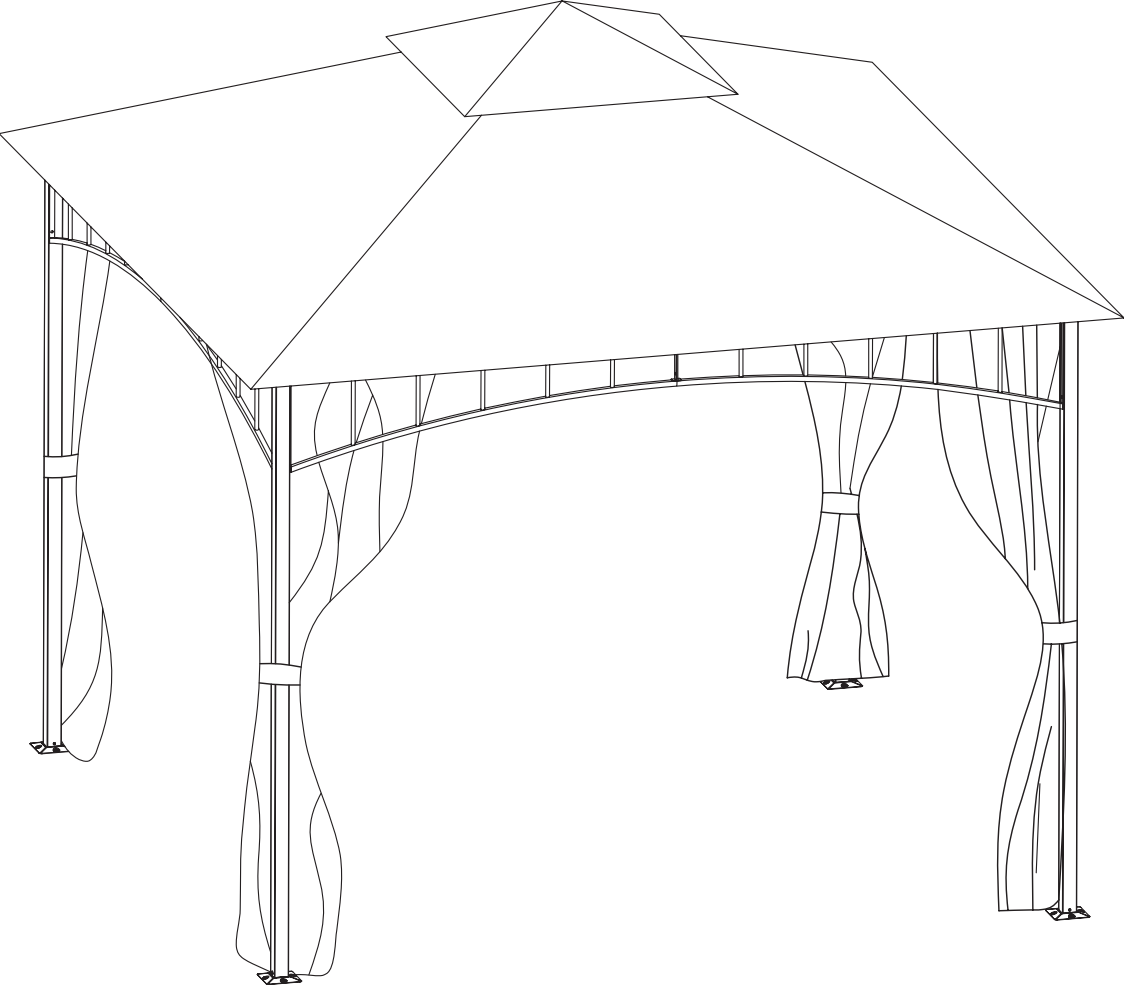
**step 11:**

---

---

1. Tighten all bolts. Ensure all connections are secure before use.

You are now ready to enjoy your new gazebo.



For longer life, cover and store when not in use.

**Frame Care:**

Wipe clean with damp cloth. Use only mild soap and detergents.

**Thank you for making your Patio purchase at Target! Please review your purchase on Target.com.**

