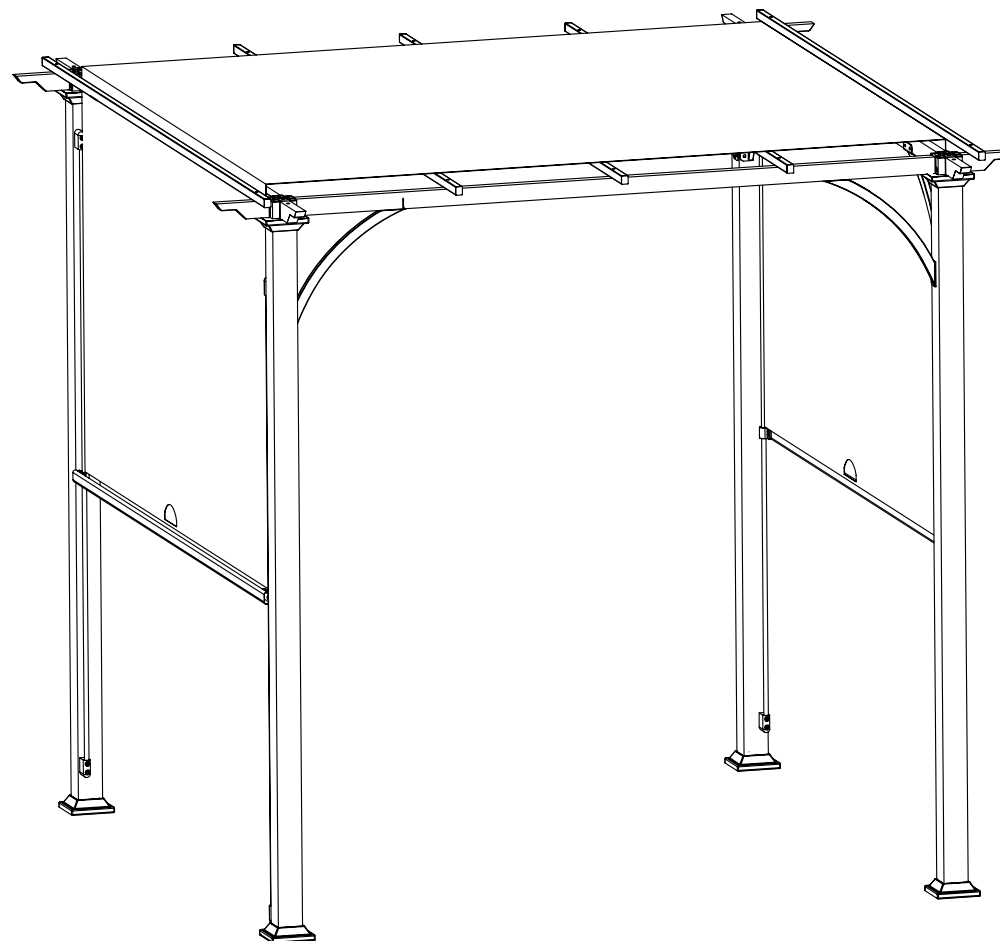


# Fairmont

8' x 8' adjustable shade pergola

style # GFS20403A

dpci # 009050057



>>assembly instructions



## **Congratulations on your latest Target purchase.**

Now what? Don't start sweating over this box of parts. This will be easy. We did the hard work for you. All you need to do is follow our simple instructions and you'll be on your way to transforming your patio in no time. Good luck – though we're confident you won't need it.

## **IMPORTANT WARNING:**

Unpack the box on a clean soft level surface and make sure all parts have been included. To replace missing or damaged parts please call 855-MYTGTHOME (855-698-4846) during 7am - 7pm CST M-F, and 8am - 5pm CST Saturday.

## **ATTENTION:**

This Pergola is not intended for use during any kind of inclement weather and the manufacturer is not and can not be held responsible for any damages caused as a result of such weather. Weather-related damage, or damage as a result of the Pergola not being stored properly when not in use is not the responsibility of the manufacturer.

During extended periods of non-usage, off season, or in inclement weather (wind, rain, snow, hail, sleet), freezing conditions and extreme heat, the Pergola needs to be stored in a dry sheltered place to prolong the life and to avoid damage to the Pergola.

## **WARRANTY:**

This Pergola comes with a one year limited warranty against original manufacture defects. If you experience trouble with your pergola, please call the customer service number below.

Target Corporation

Toll Free at: 855-MYTGTHOME (855-698-4846) during 7am - 7pm CST M-F, and 8am - 5pm CST Saturday.

Code: Yotrio 2020

## **before you begin**

1. Check for damage or missing parts. Call 855-MYTGTHOME (855-698-4846) to order missing supplies.
2. Use the carton as a working surface to prevent product damage during assembly.
3. Gather all tools prior to assembly.

## table of contents

---

introduction	2-3
hardware	5
parts list	6
assembly	7-18

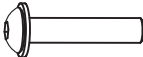
# hardware

---

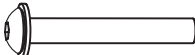
**(Part N)×92**  
M6\*15mm bolt with washer



**(Part O)×10**  
M6\*40mm bolt with washer



**(Part P)×16**  
M6\*55mm bolt with washer



**(Part Q)×16**  
ground spike

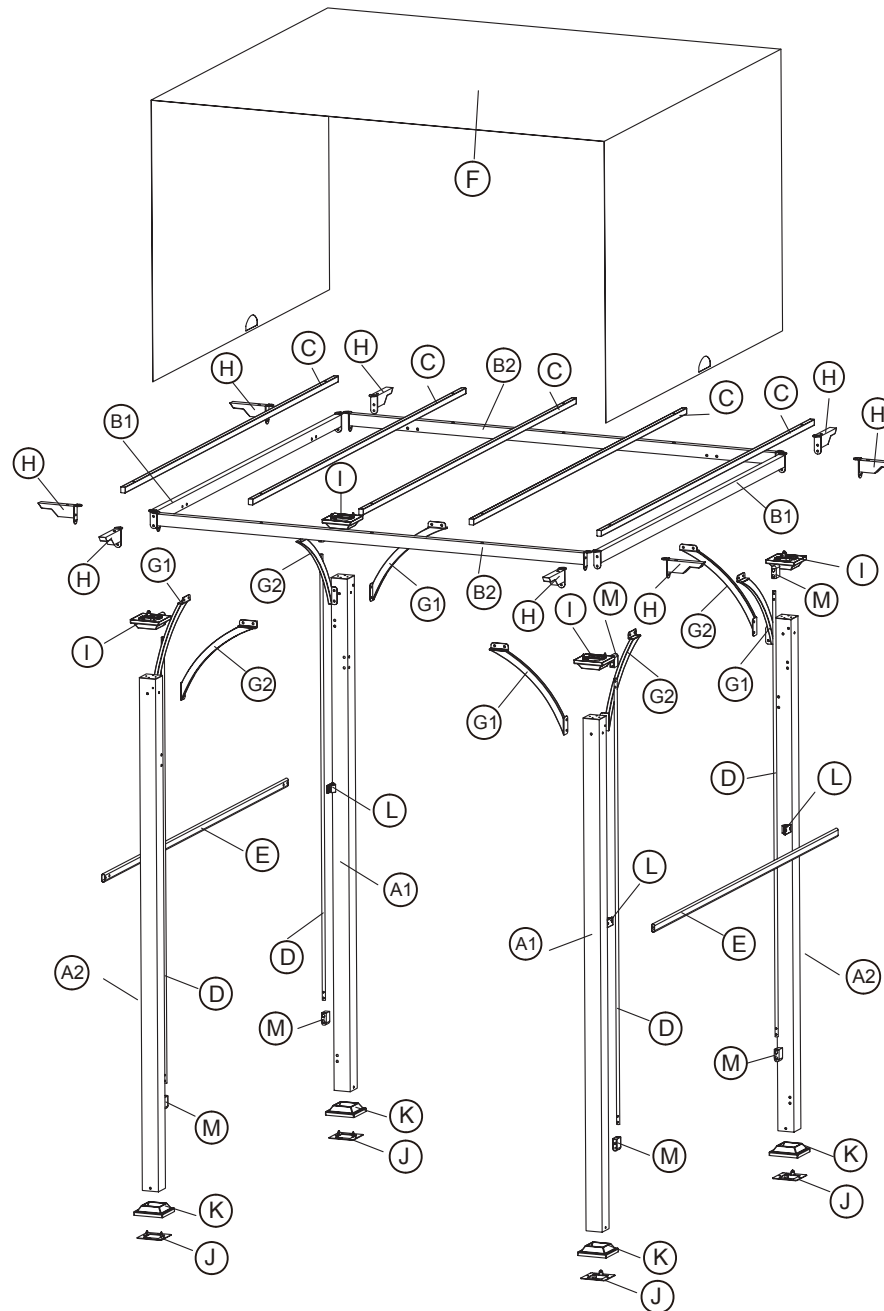


**(Part R)×2**  
allen wrench

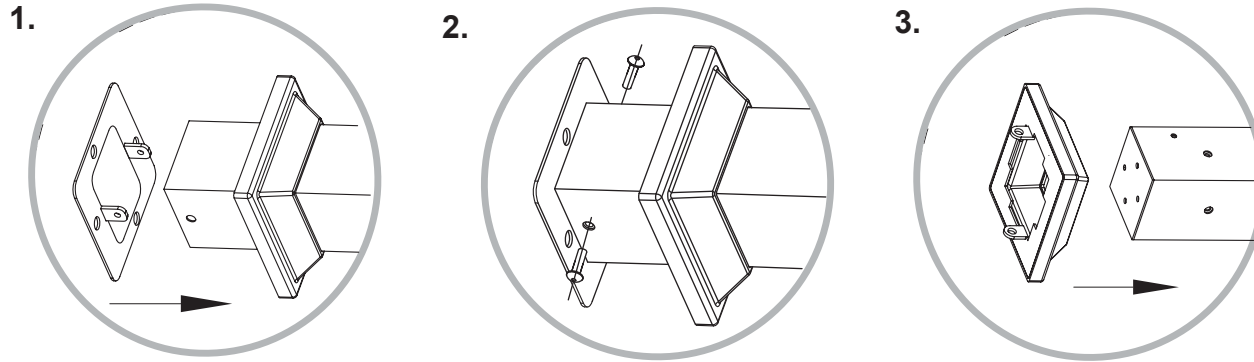


ITEM	DESCRIPTION	QUANTITY
------	-------------	----------

A1	post leg1	2
A2	post leg2	2
B1	connector bar1	2
B2	connector bar2	2
C	top bar	5
D	rail bar	4
E	shade rod	2
F	sling canopy	1
G1	corner bracket1	4
G2	corner bracket2	4
H	end tip	8
I	post decoration	4
J	post base	4
K	post base plate	4
L	tube connector	4
M	duo tube connector	8



## step 01:



(Part N)×8

M6\*15mm bolt with washer



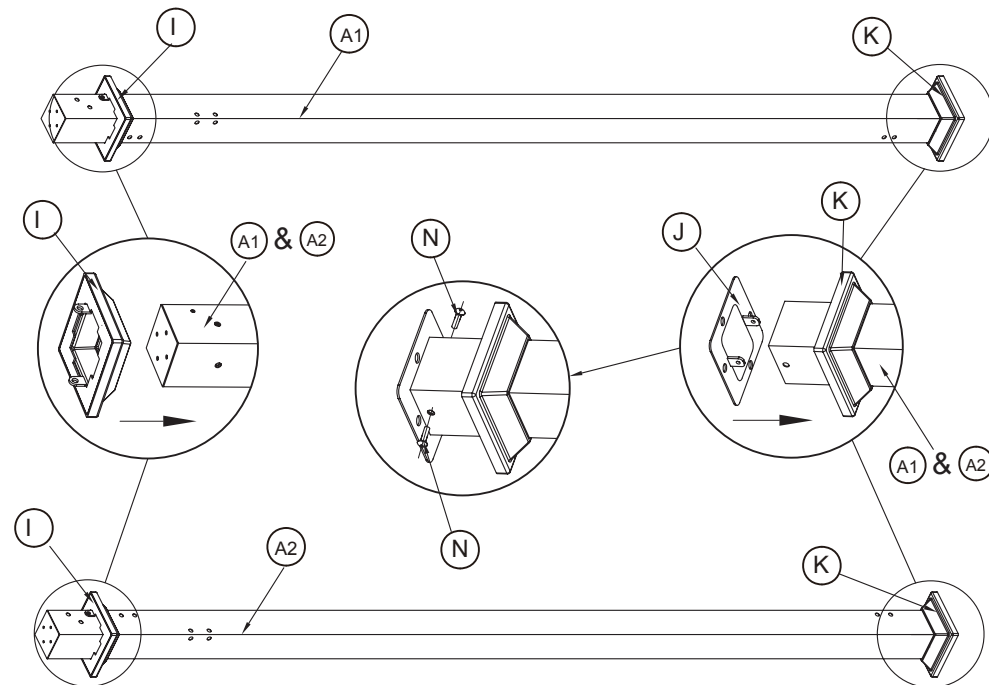
(Part R)×1

allen wrench



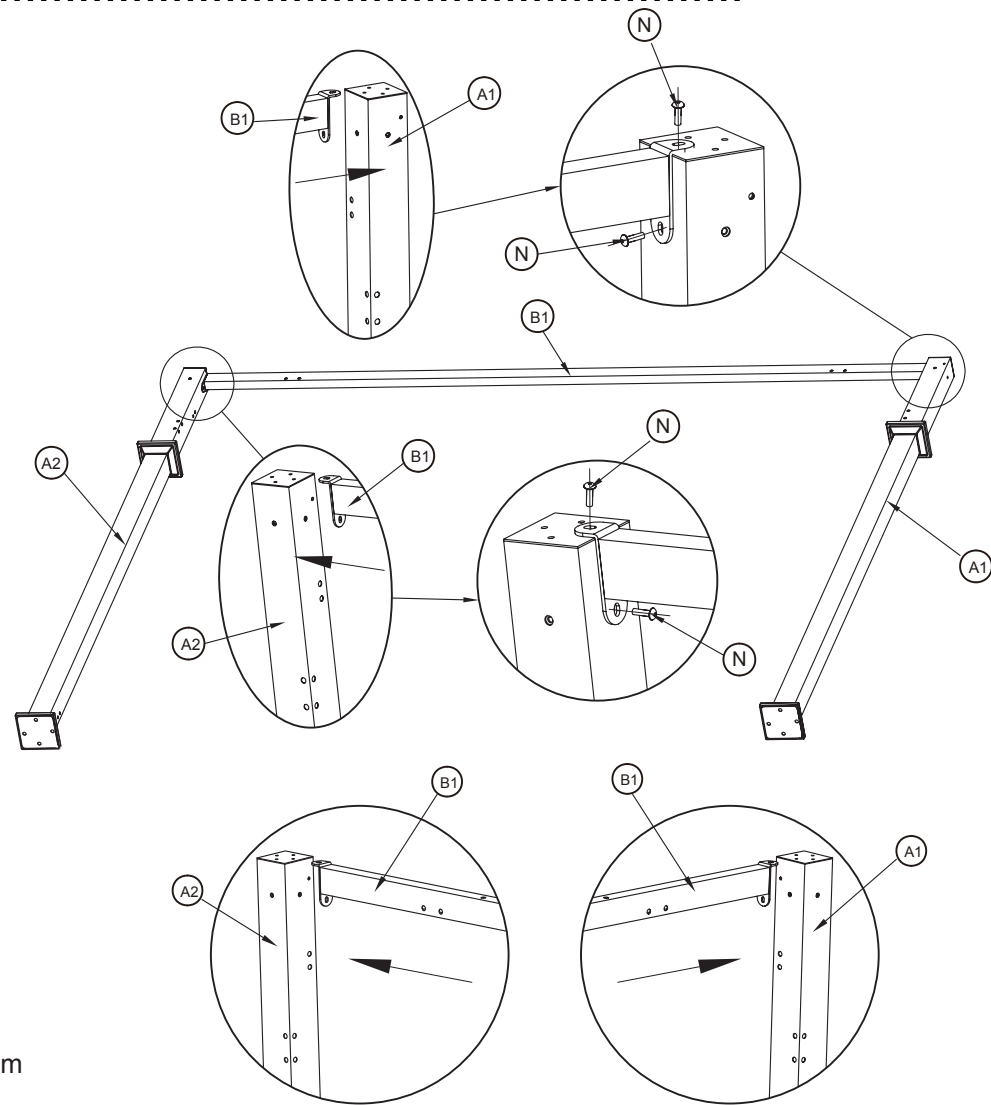
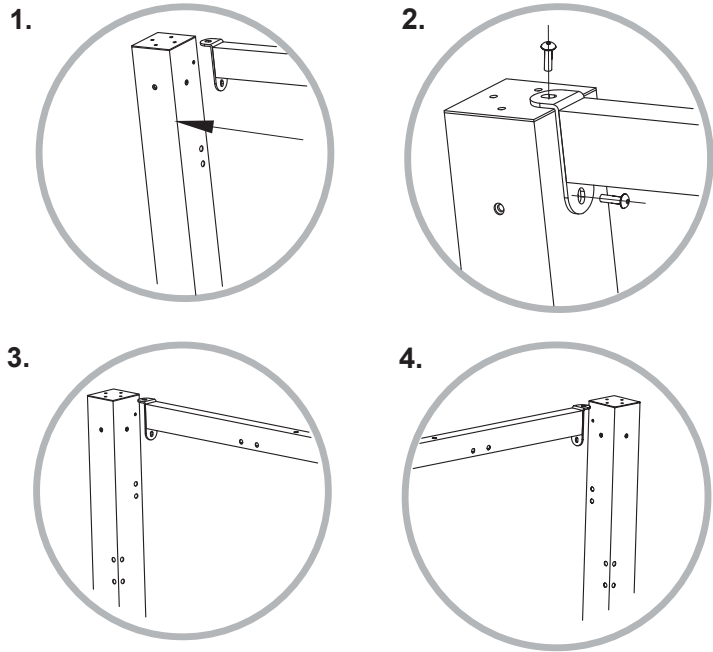
**ATTENTION:** To avoid damage to your new pergola, please use either the carton or another soft surface such as carpet as a working surface to prevent product damage during assembly.

1. Attach the post base plates (K) to the post leg1 & 2 (A1 & A2), then insert the post base (J) into the post leg1 & 2 (A1 & A2), secure with M6\*15mm bolt with washer (N) using the allen wrench (R).
2. Attach the post decoration (I) to the post leg1 & 2 (A1 & A2).
3. Repeat above steps until the 4 post base plates (K), post base (J) and post decoration (I) are secured to the post leg1 & 2 (A1 & A2).



**Do not completely tighten screws until all screws are in place.**

## step 02:



(Part N)×8

M6\*15mm bolt with washer



(Part R)×1

allen wrench



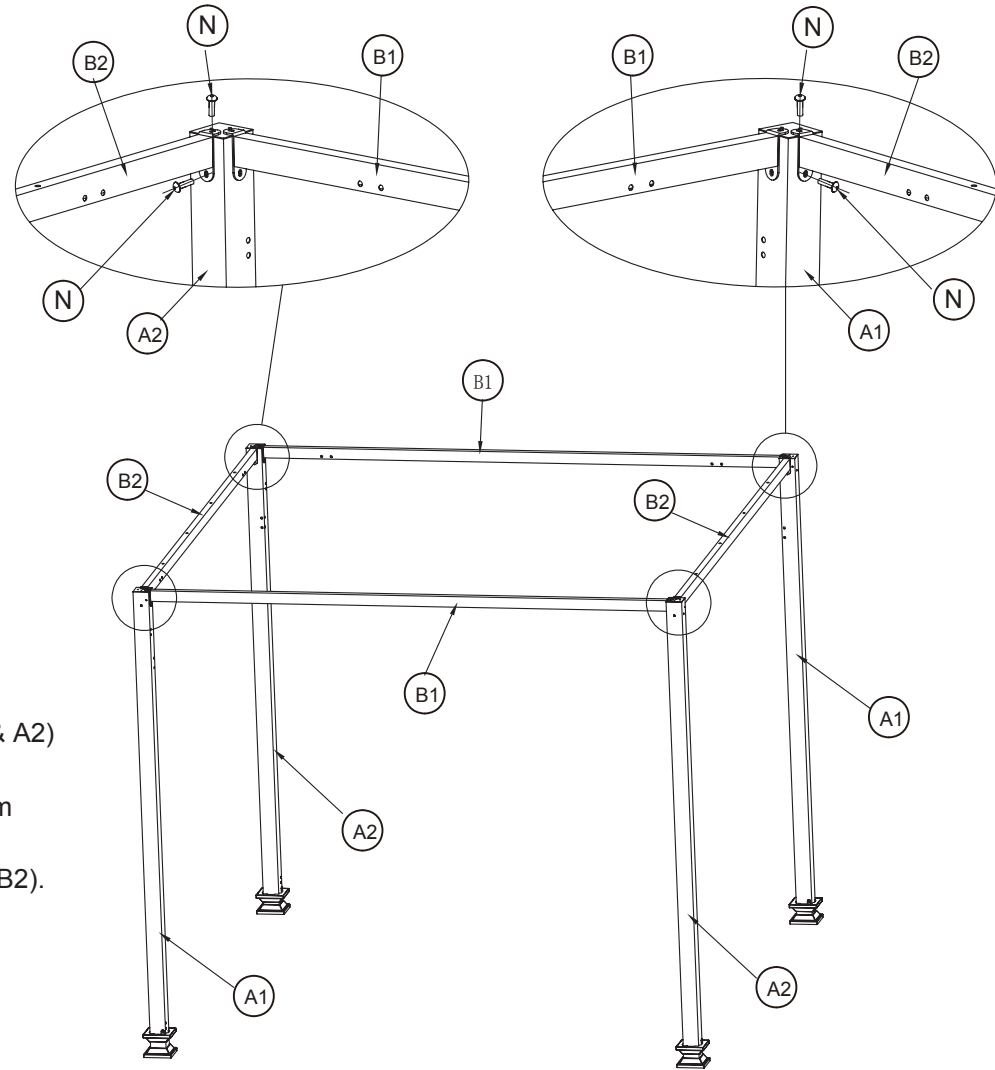
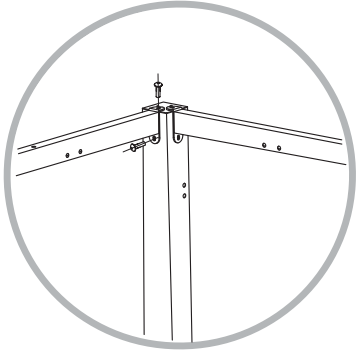
1. Place the post leg1 & 2 (A1 & A2) on the soft surface.
2. Attach the connector bar1 (B1) to the post leg1 & 2 (A1 & A2), secure with M6\*15mm bolt with washer (N) using the allen wrench (R).
3. Repeat above steps for the another set of post leg1 & 2 (A1 & A2) and connector bar1 (B1).

**NOTE: Ensure the holes on the post leg1 & 2 (A1 & A2) face to center of the pergola.  
Do not completely tighten screws until all screws are in place.**



## step 03:

---



(Part N)×8

M6\*15mm bolt with washer



(Part R)×1

allen wrench

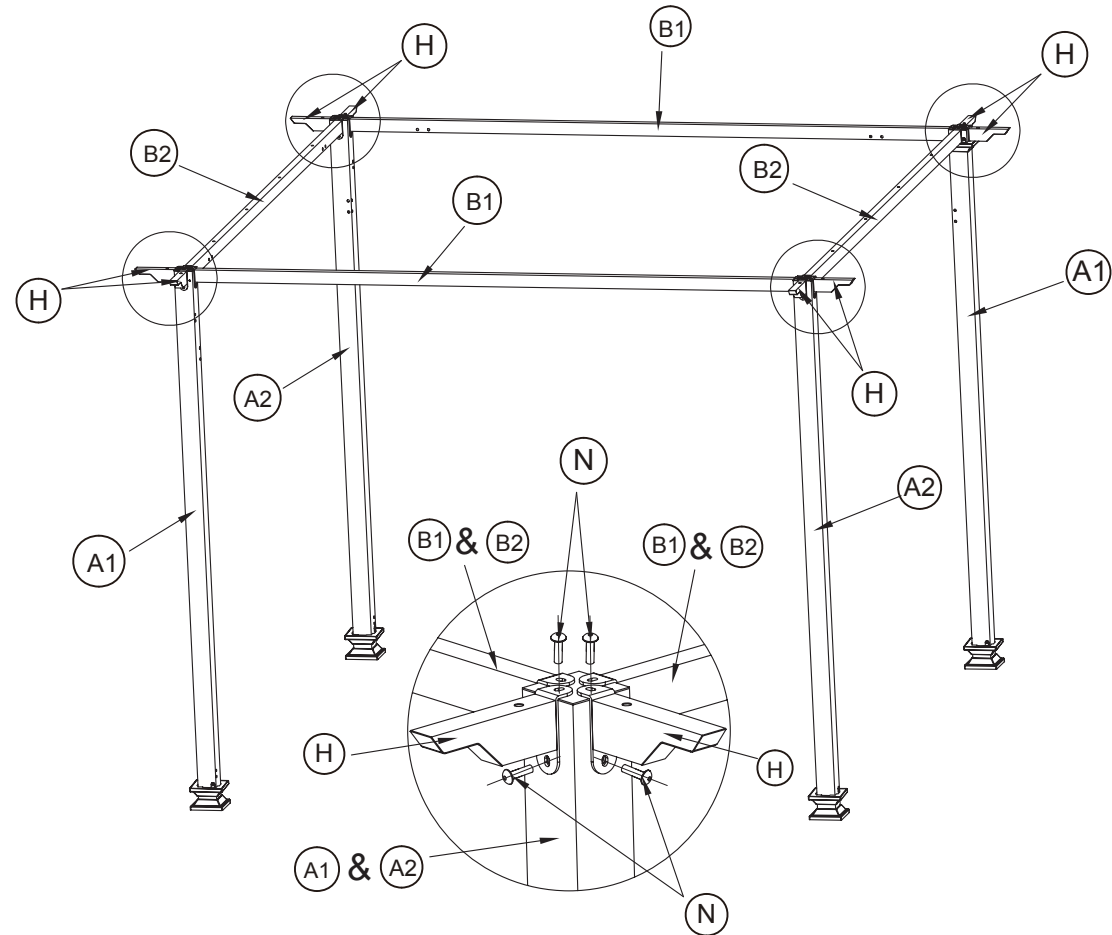
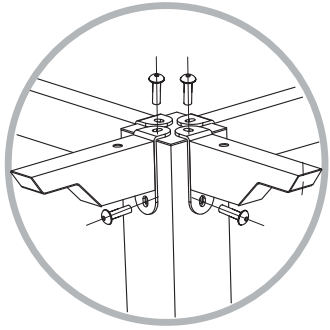


1. When the post leg1 & 2 (A1&A2) connections are made, set the post leg1 & 2 (A1 & A2) upright.
2. Attach the connector bar2 (B2) to the post leg1 & 2 (A1 & A2), secure with M6\*15mm bolt with washer (N) using the allen wrench (R).
3. Repeat above steps for another set of post leg1 & 2 (A1 & A2) and connector bar2 (B2).

**NOTE: Ensure the holes on the connector bar1 & 2 (B1 & B2) face to center of the pergola.  
Do not completely tighten screws until all screws are in place.**

## step 04:

---



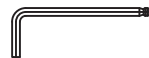
**(Part N)×16**

M6\*15mm bolt with washer



**(Part R)×1**

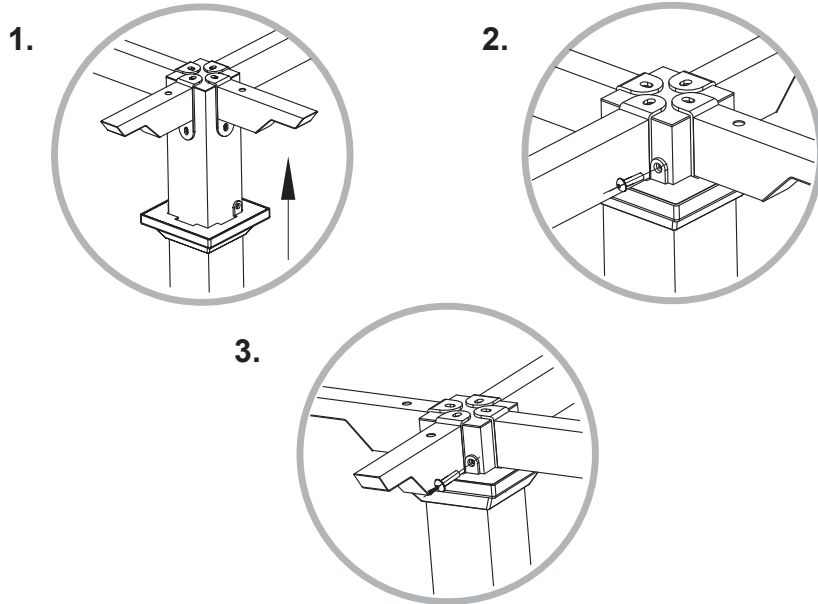
allen wrench



1. Attach the end tips (H) to the post leg1 & 2 (A1 & A2), secure with the M6\*15mm bolt with washer (N) using the allen wrench (R).

**Do not completely tighten screws until all screws are in place.**

## step 05:



(Part N)×8

M6\*15mm bolt with washer

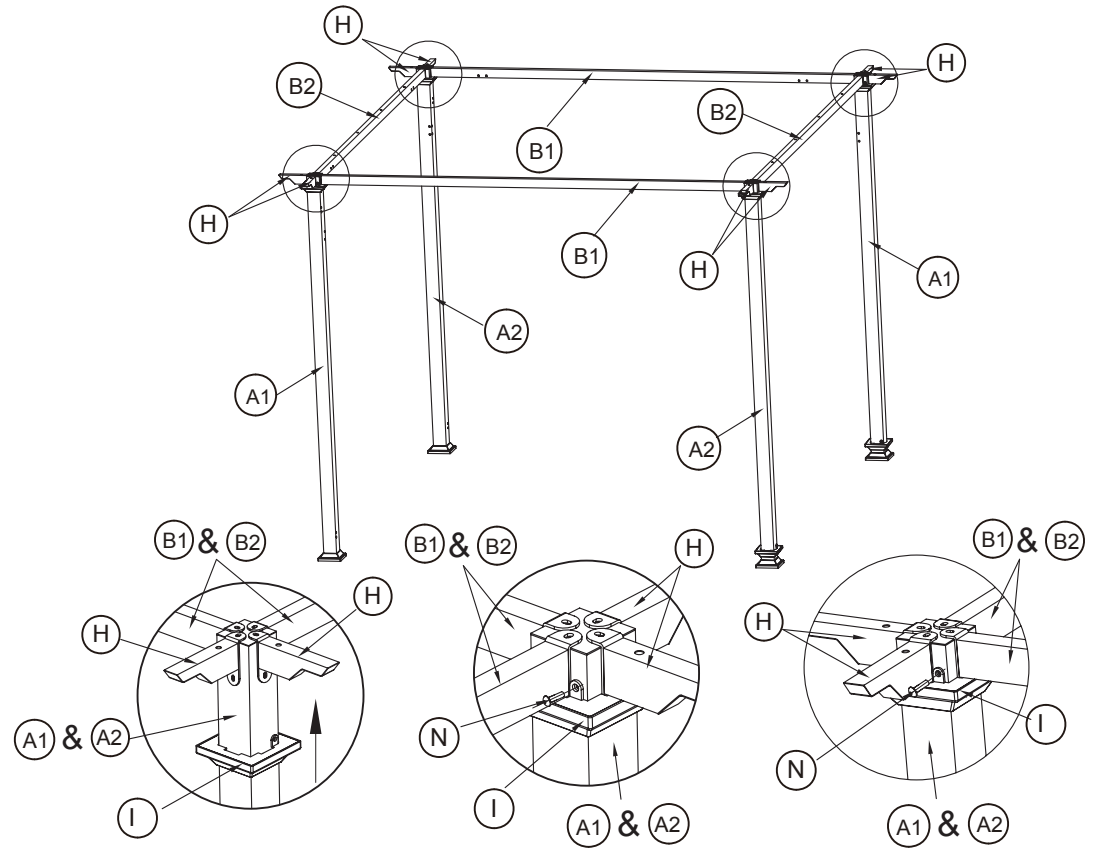


(Part R)×1

allen wrench



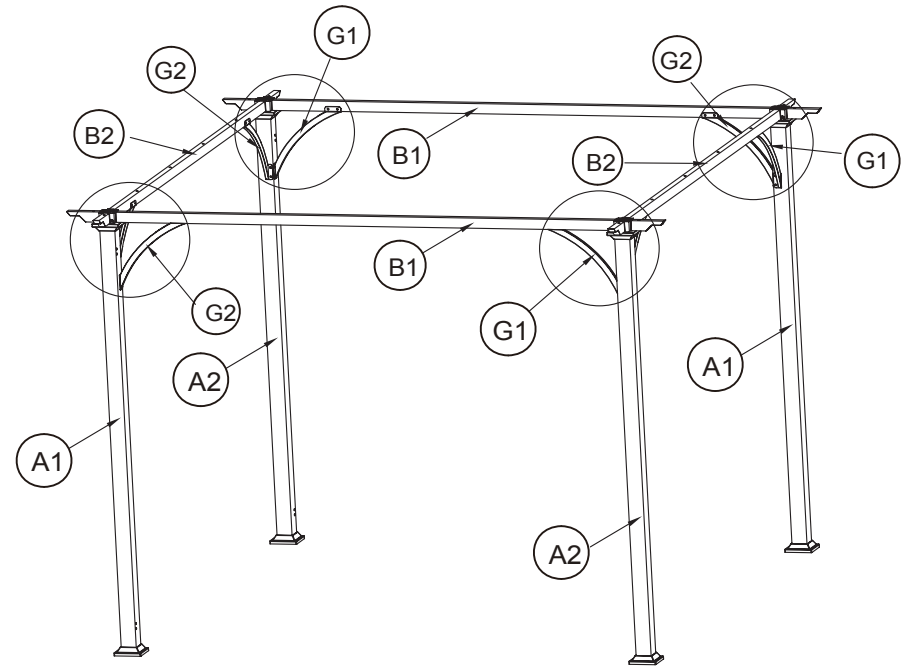
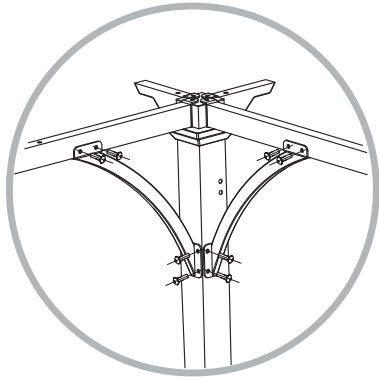
1. Push up the post decorations (I) and align the bolt holes on the post leg 1 & 2 (A1 & A2), secure with M6\*15mm bolt with washer (N) using the allen wrench (R).



**Do not completely tighten screws until all screws are in place.**

## step 06:

---



---

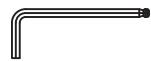
**(Part N)×32**

M6\*15mm bolt with washer

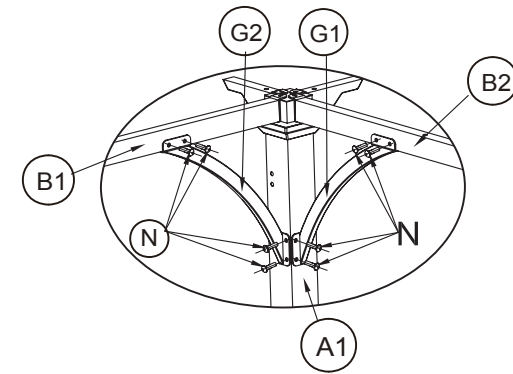
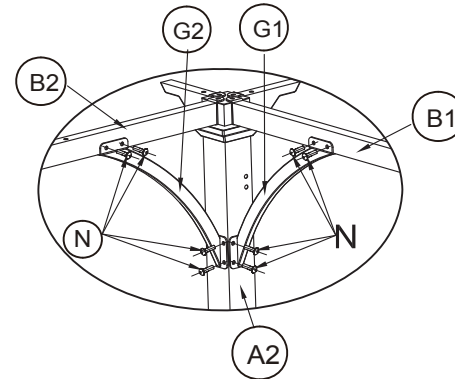


**(Part R)×1**

allen wrench

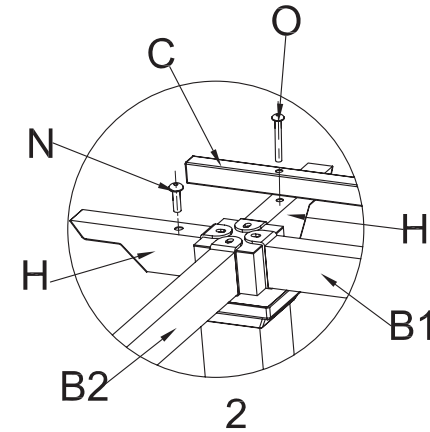
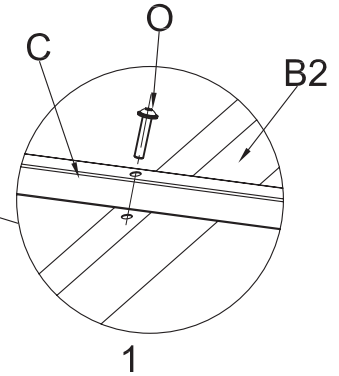
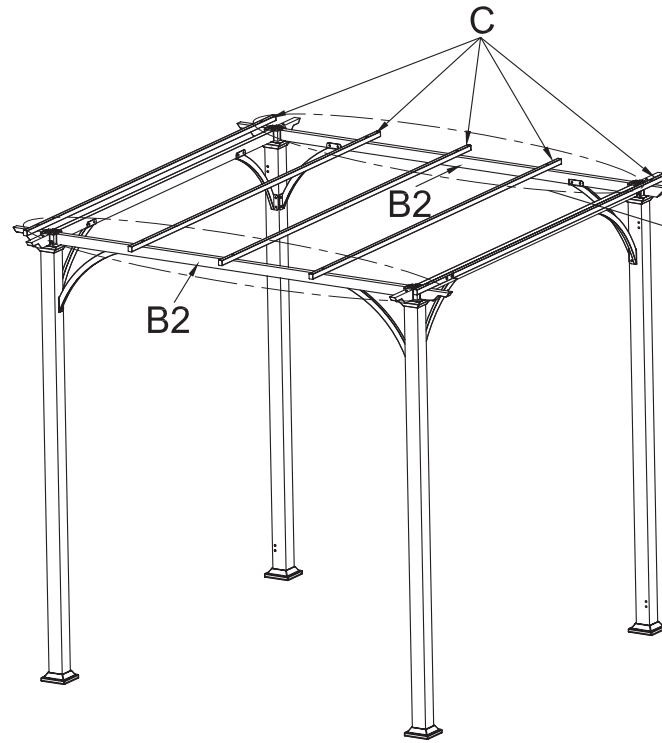
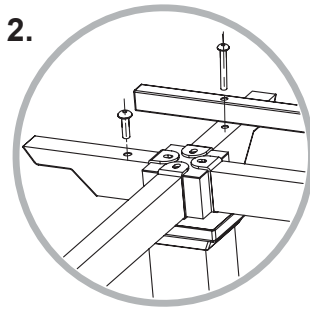
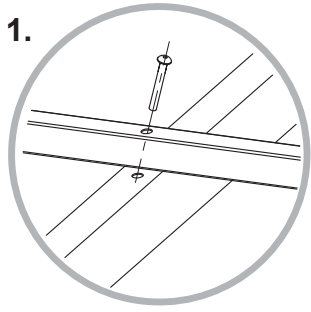


1. Attach the corner bracket1 & 2 (G1 & G2) to the post leg1 & 2 (A1 & A2) and the connector bar1 & 2 (B1 & B2), secure with M6\*15mm bolt with washer (N) using the allen wrench (R).



**Do not completely tighten screws until all screws are in place.**

## step 07:



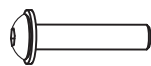
**(Part N)×2**

M6\*15mm bolt with washer



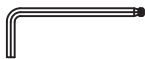
**(Part O)×6**

M6\*40mm bolt with washer



**(Part R)×1**

allen wrench

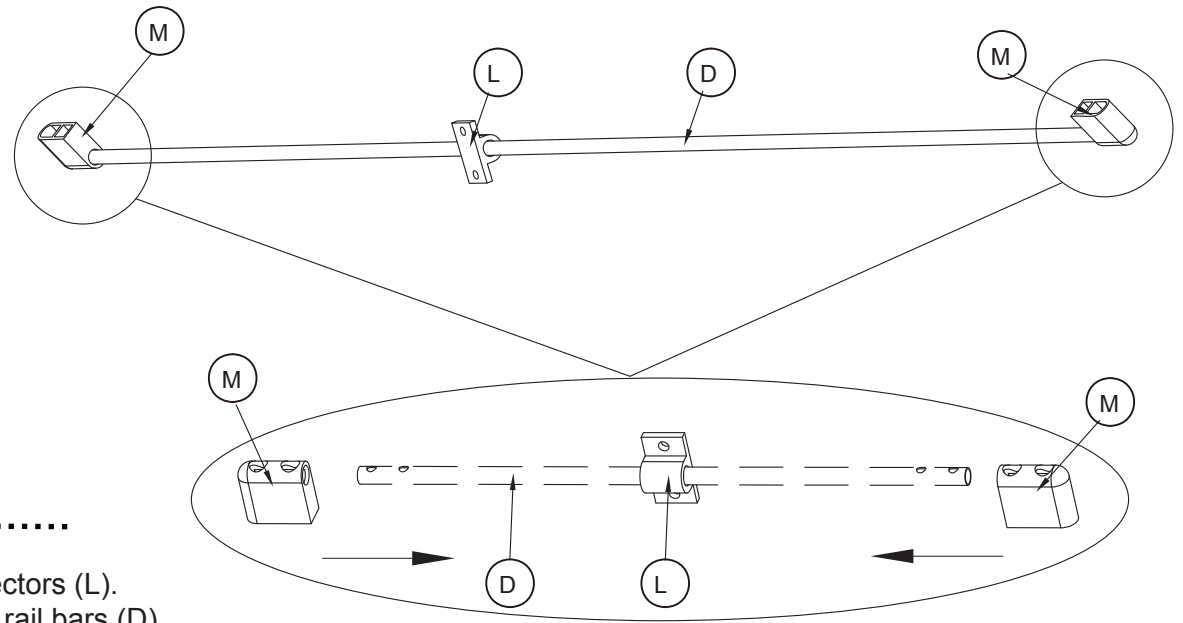


1. Attach 3 of the top bar (C) to both connector bar2 (B2), secure with M6\*40mm bolt with washer (O) using the allen wrench (R).
2. Attach another 2 top bar (C) to the end tips (H), secure with M6\*15mm bolt with washer (N) and M6\*40mm bolt with washer (O) using the allen wrench (R).
3. Make sure all top bars (C) are parallel.

**Do not completely tighten screws until all screws are in place.**

## step 08:

---



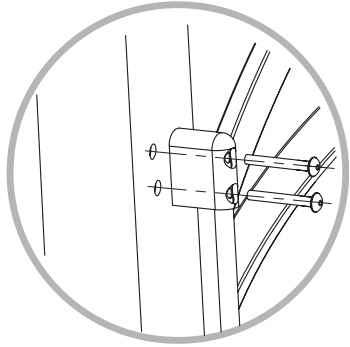
- 
1. Insert the rail bars (D) through the hole of the tube connectors (L).
  2. Insert the duo tube connectors (M) onto both ends of the rail bars (D).

**Do not completely tighten screws until all screws are in place.**

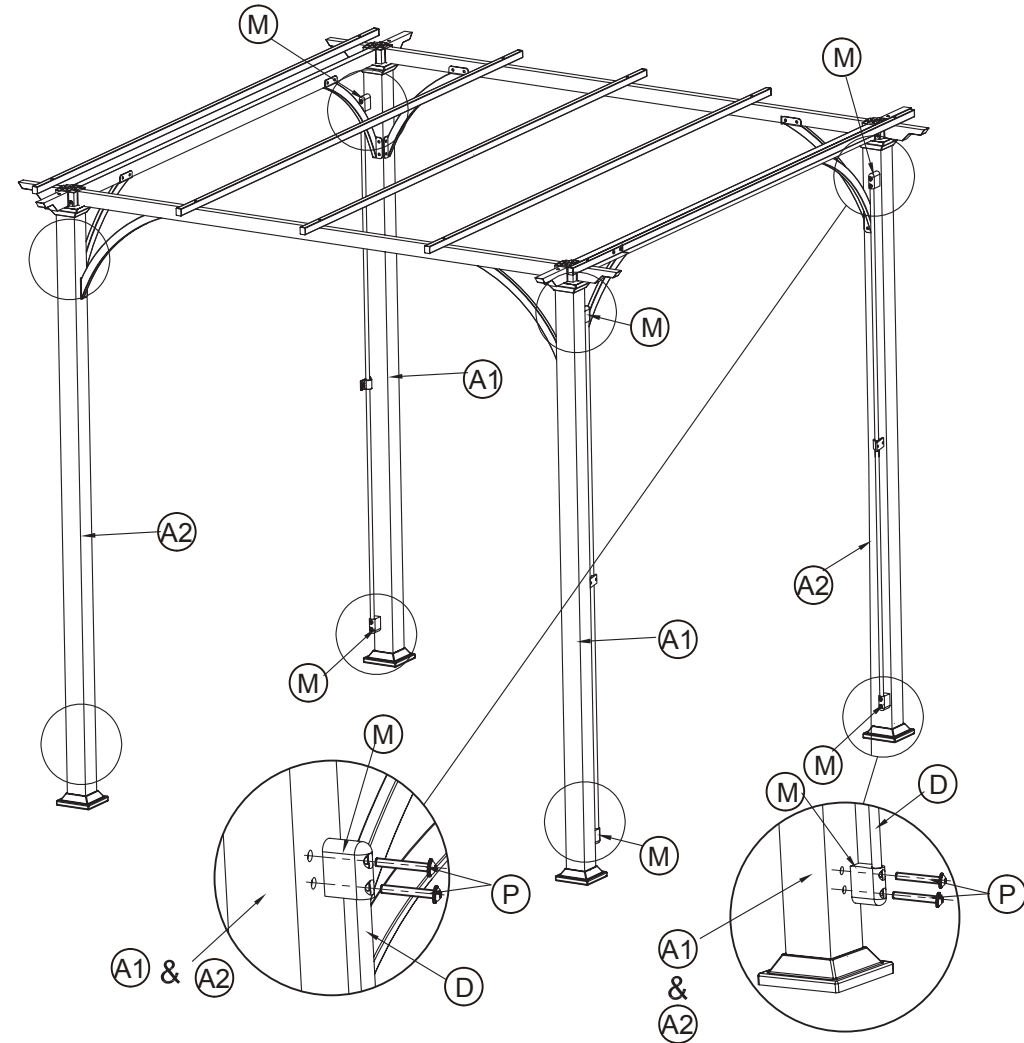
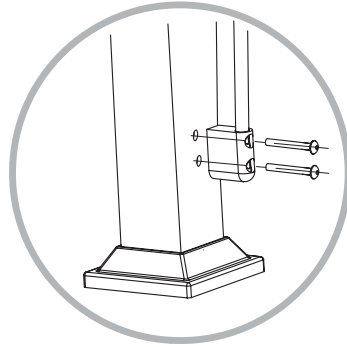
## step 09:

---

1.



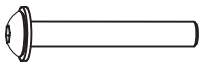
2.



---

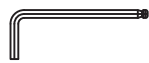
**(Part P)×16**

M6\*55mm bolt with washer



**(Part R)×1**

allen wrench

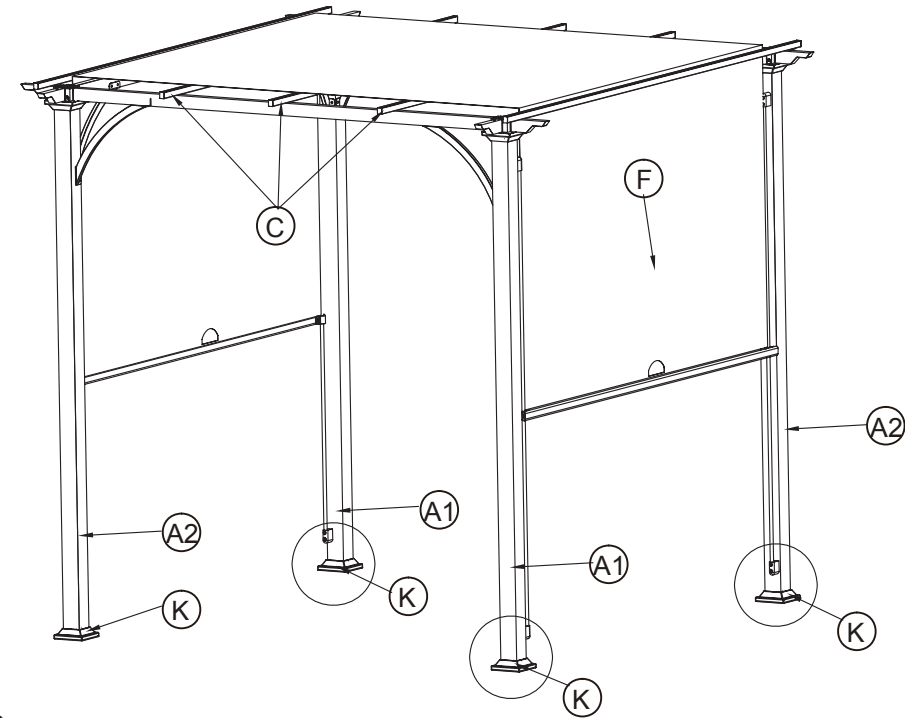
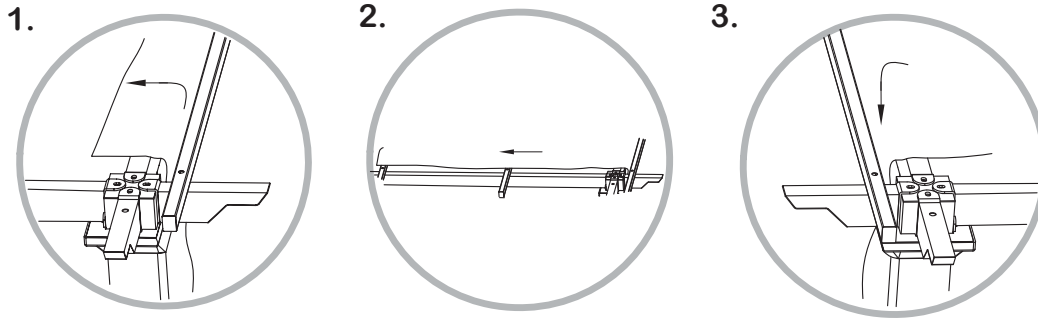


1. Attach the rail bars (D) and the duo tube connectors (M) to the post leg 1 & 2 (A1 & A2), secure with M6\*55mm bolt with washer (P) using the allen wrench (R).

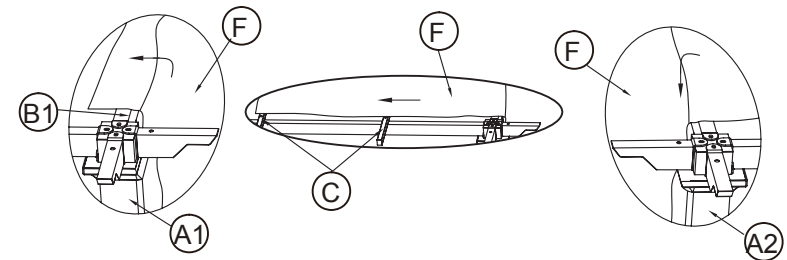
**Do not completely tighten screws until all screws are in place.**

## step 10:

---



- 
1. Insert the sling canopy (F) through the space between the top bar (C) and the connector bar1 (B1), ensure the sewing seams on the sling canopy (F) face inside the pergola.
  2. Pull the sling canopy (F) on to the top bar (C).
  3. Insert another end of sling canopy (F) through another side of the space between the top bar (C) and the connector bar1 (B1).

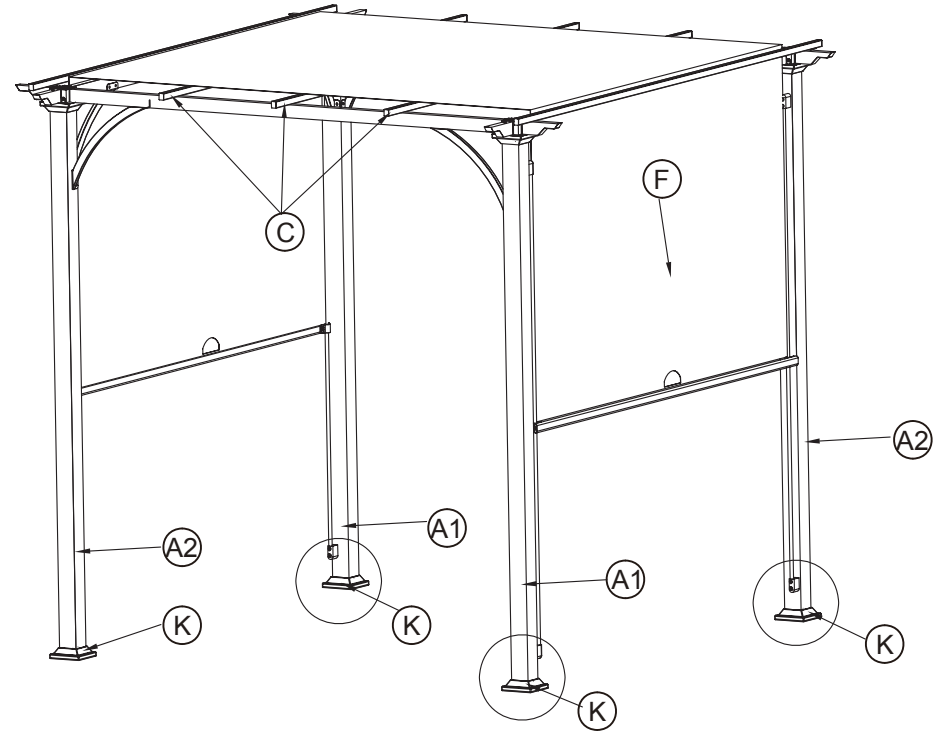
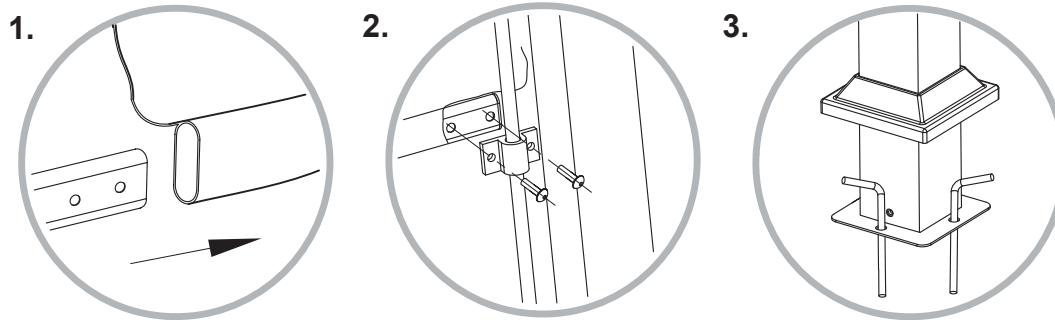


**Do not completely tighten screws until all screws are in place.**



# step 11:

---



---

(Part N)×8

M6\*15 bolt with washer



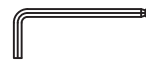
(Part Q)×16

ground spikes

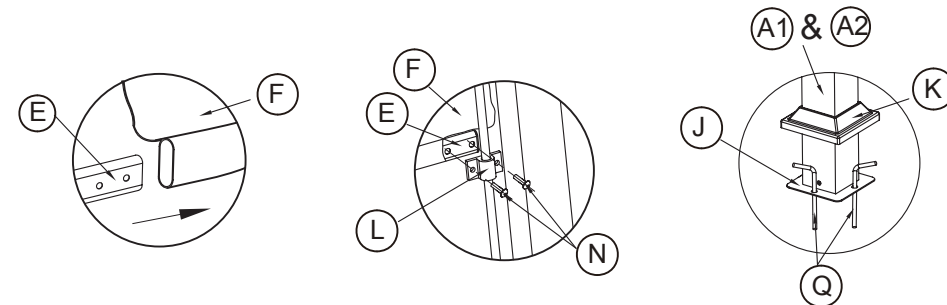


(Part R)×1

allen wrench



1. Insert the shade rod (E) into the pocket on the 2 side of sling canopy (F), the bolt holes should be faced to the inside of pergola.
2. Align the screw holes of shade rod (E) and tube connectors (L), then secure with M6\*15mm bolt with washer (N) using the allen wrench (R).
3. Lift up the post base plates (K), insert the ground spikes (Q) through the post base (J) and into the ground.



**Do not completely tighten screws until all screws are in place.**

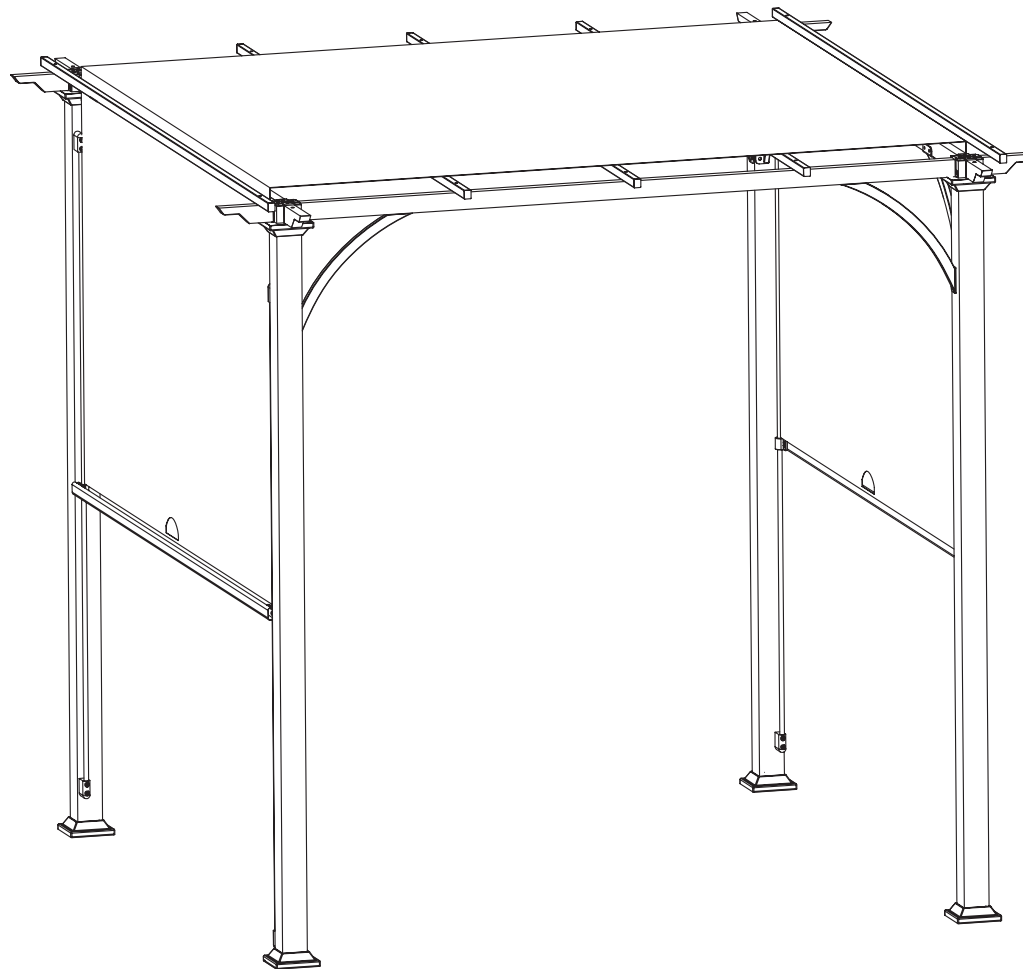
## step 12:

---

---

1. Tighten all bolts. Ensure all connections are secure before use.

You are now ready to enjoy your new pergola.



For longer life, cover and store when not in use.

**Frame Care:**

Wipe clean with damp cloth. Use only mild soap and detergents.

**Thank you for making your Patio purchase at Target! Please review your purchase on Target.com.**

