

# 10' X 10' Adjustable Shade Pergola Black/Gray

style # GFS00753C-B

dpci # 009050409



>>assembly instructions



## **Congratulations on your latest Target purchase.**

Now what? Don't start sweating over this box of parts. This will be easy. We did the hard work for you. All you need to do is follow our simple instructions and you'll be on your way to transforming your patio in no time. Good luck – though we're confident you won't need it.

## **IMPORTANT WARNING:**

Unpack the box on a clean, soft, level surface and make sure all parts have been included. To replace missing or damaged parts please call 855-MYTGTHOME (855-698-4846) during 7am - 7pm CST M-F, and 8am - 5pm CST Saturday.

## **ATTENTION:**

This Pergola is not intended for use during any kind of inclement weather and the manufacturer is not, and can not be held responsible for any damages caused as a result of such weather. Weather-related damage, or damage as a result of the Pergola not being stored properly when not in use, is not the responsibility of the manufacturer.

During extended periods of non-usage, off season, or in inclement weather (wind, rain, snow, hail, sleet), freezing conditions and extreme heat, the Pergola needs to be stored in a dry, sheltered place to prolong the life and to avoid damage to the Pergola.

## **WARRANTY:**

This Pergola comes with a one year limited warranty against original manufacture defects. If you experience trouble with your pergola, please call the customer service number below.

Target Corporation

Toll Free at: 855-MYTGTHOME (855-698-4846) during 7am - 7pm CST M-F, and 8am - 5pm CST Saturday.

Code: Yotrio 2017

## **before you begin**

1. Check for damage or missing parts. Call 855-MYTGTHOME (855-698-4846) to order missing supplies.
2. Use the carton or carpet as a working surface to prevent product damage during assembly.
3. Gather all tools prior to assembly.
4. This pergola is heavy, may require two to three adults for safe assembly.

## table of contents

---

introduction	2-3
hardware	5
parts list	6
assembly	7-19

# hardware

---

**(Part N)×92**

M6\*15 mm screw



**(Part O)×12**

M6\*35 mm screw



**(Part P)×16**

M6\*55 mm screw



**(Part Q)×16**

ground spike



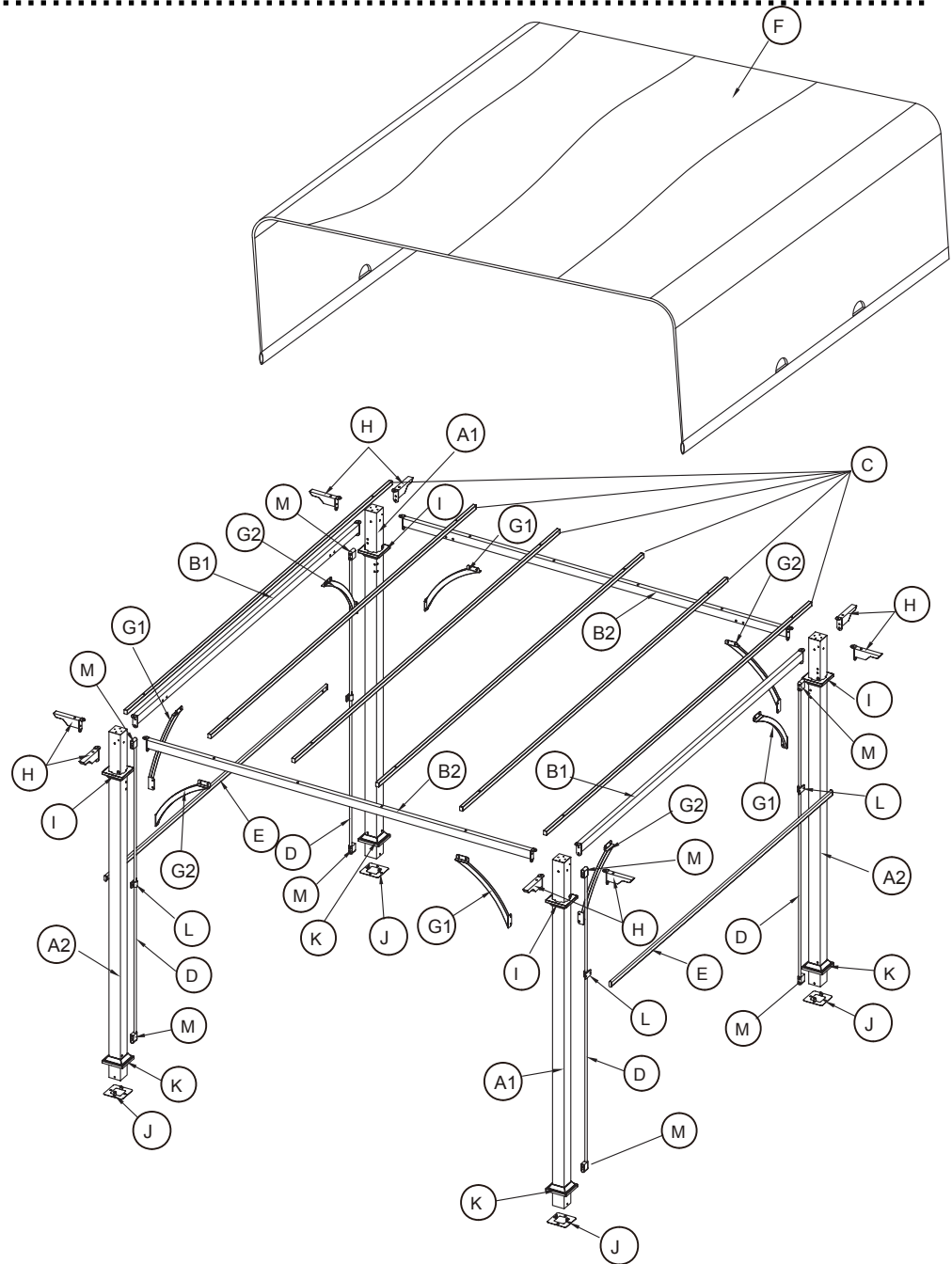
**(Part R)×2**

allen wrench



ITEM	DESCRIPTION	QUANTITY
------	-------------	----------

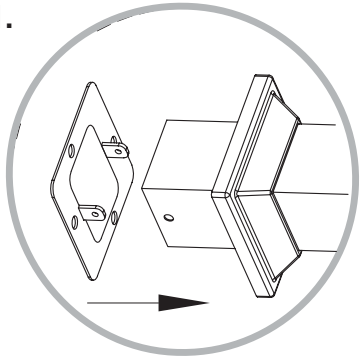
A1	post leg1	2
A2	post leg2	2
B1	connector bar1	2
B2	connector bar2	2
C	top bar	6
D	rail bar	4
E	shade rod	2
F	sling cover	1
G1	corner bracket1	4
G2	corner bracket2	4
H	end tip	8
I	post decoration	4
J	post base	4
K	post base plate	4
L	tube connector	4
M	duo tube connector	8



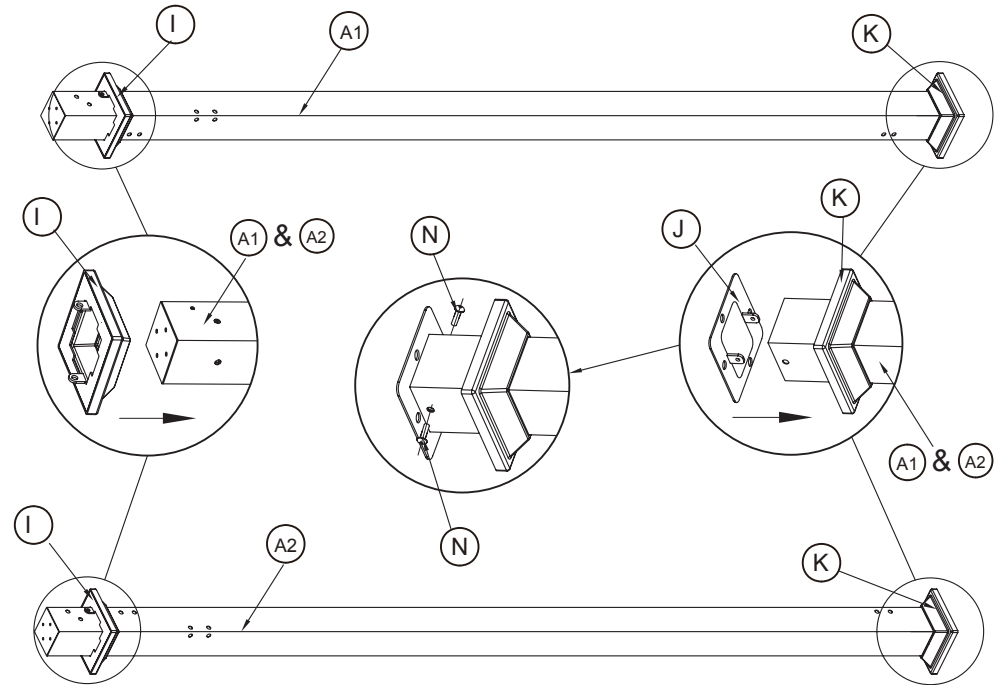
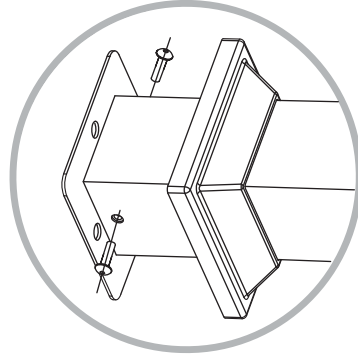
## step 01:

---

1.



2.



(Part N)×8

(Part R)×1

M6\*15mm screw

allen wrench



**ATTENTION: To avoid damage to your new pergola, please use either the carton or another soft surface such as carpet as a working surface to prevent product damage during assembly.**

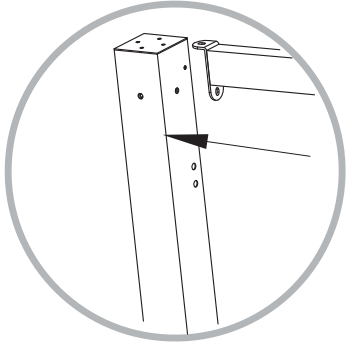
1. Attach the post decorations (I) and post base plates (K) to the post leg1 & 2 (A1 & A2).
2. Insert the post bases (J) into the post leg1 & 2 (A1 & A2), secure with M6\*15mm screws (N) using the allen wrench (R).

**Do not completely tighten screws until all screws are in place.**

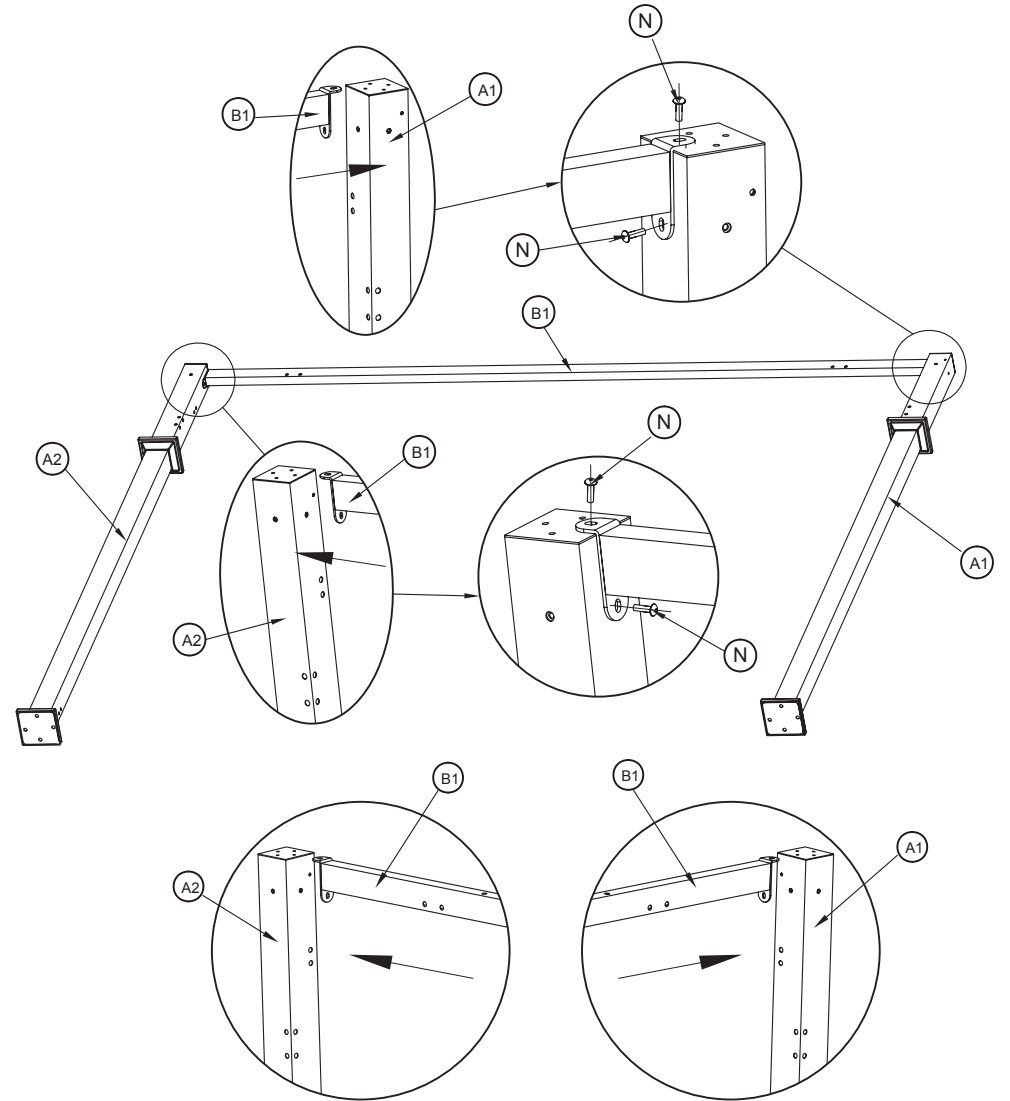
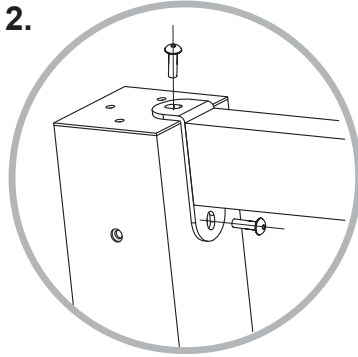
## step 02:

---

1.



2.



---

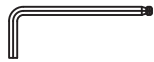
(Part N)×8

M6\*15mm screw



(Part R)×1

allen wrench



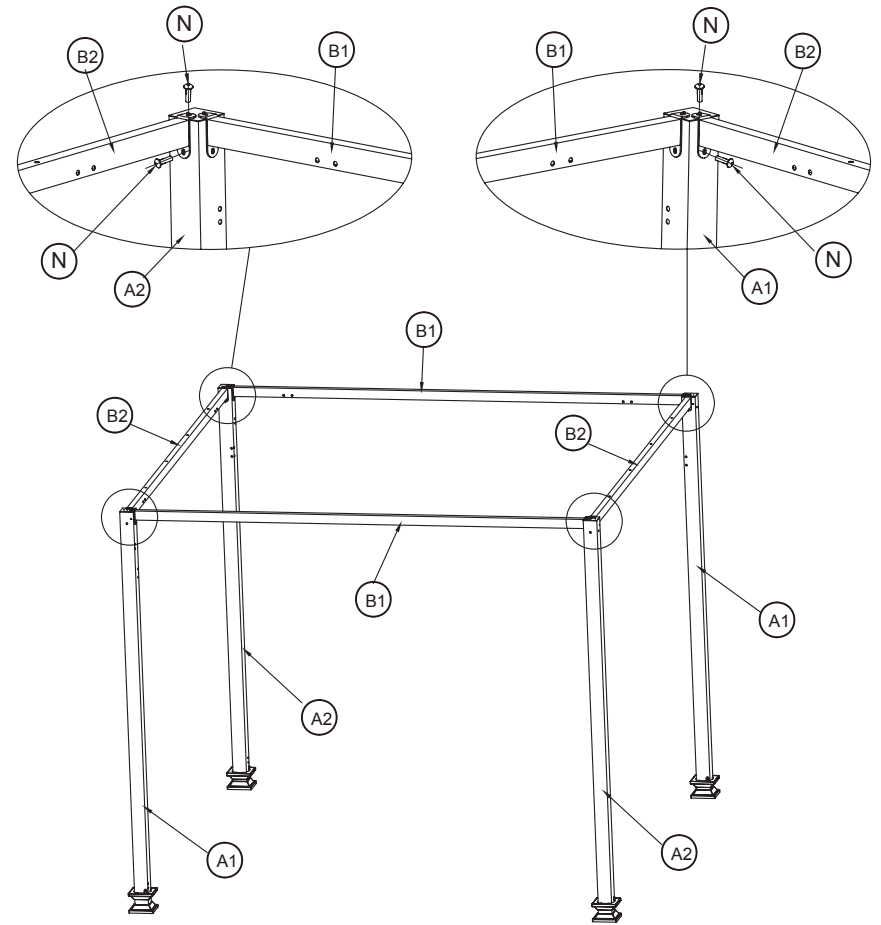
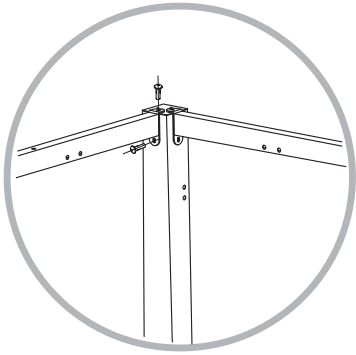
1. Place the post leg1 & 2 (A1 & A2) on the soft surface.
2. Attach the connector bar1 (B1) to the post leg1 & 2 (A1 & A2), secure with M6\*15 mm screws (N) using the allen wrench (R).
3. Repeat above steps for the another set of post leg1 & 2 (A1 & A2) and connector bar1 (B1).

**NOTE: Ensure the holes on the post leg1 & 2 (A1 & A2) face to center of the pergola. Do not completely tighten screws until all screws are in place.**



## step 03:

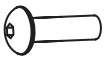
---



---

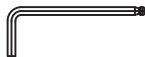
**(Part N)×8**

M6\*15mm screw



**(Part R)×1**

allen wrench

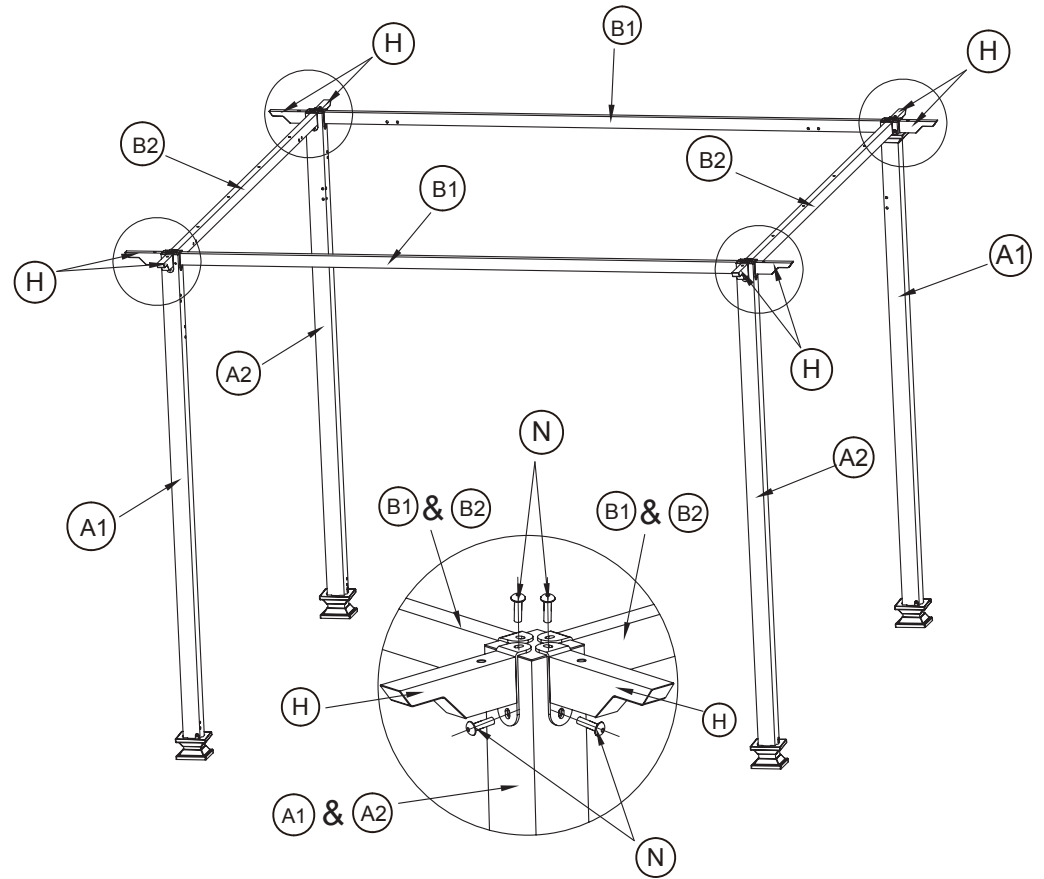
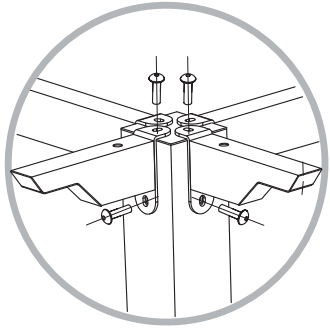


1. When the post leg1 & 2 (A1&A2) connections are made, set the post leg1 & 2 (A1 & A2) up right.
2. Attach the connector bar2 (B2) to the post leg1 & 2 (A1 & A2), secure with M6\*15 mm screws (N) using the allen wrench (R).  
Ensure the holes on the connector bar1 (B1 & B2) face to center of the pergola.
3. Repeat above steps for another set of post leg1 & 2 (A1 & A2) and connector bar2 (B2).

**Do not completely tighten screws until all screws are in place.**

## step 04:

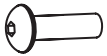
---



---

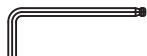
**(Part N)×16**

M6\*15mm screw



**(Part R)×1**

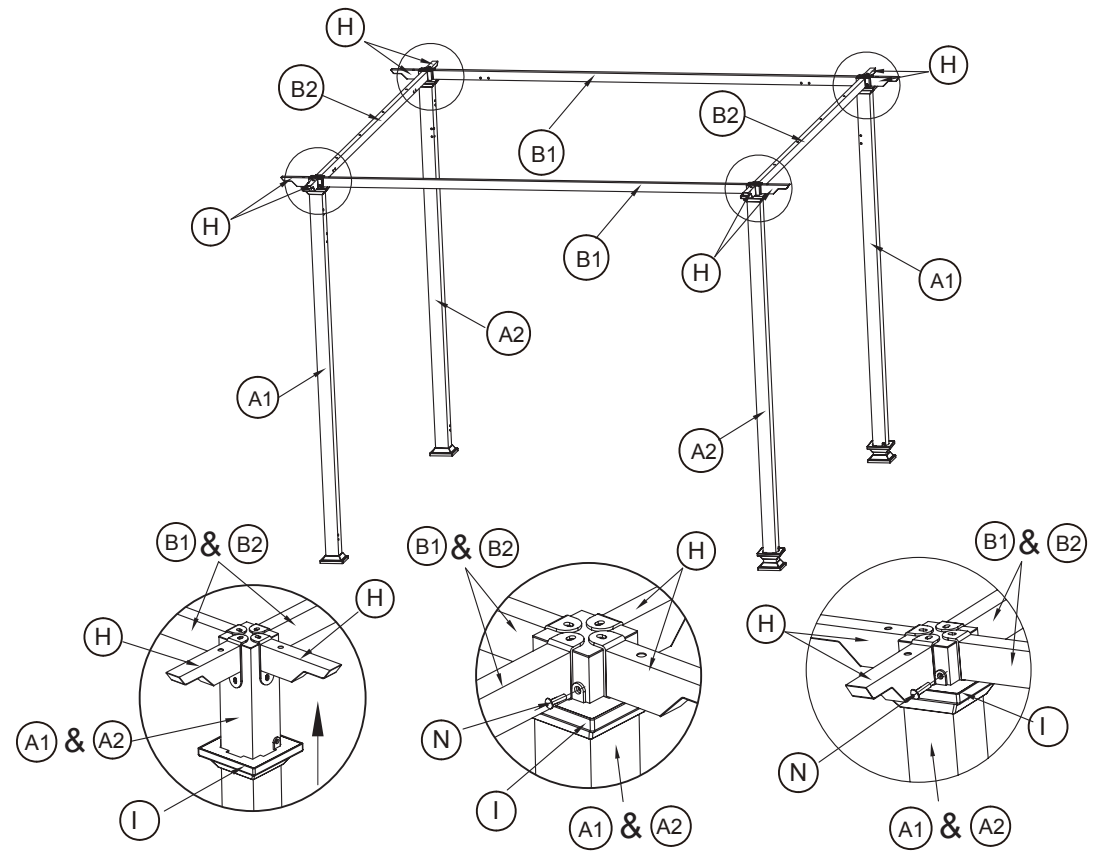
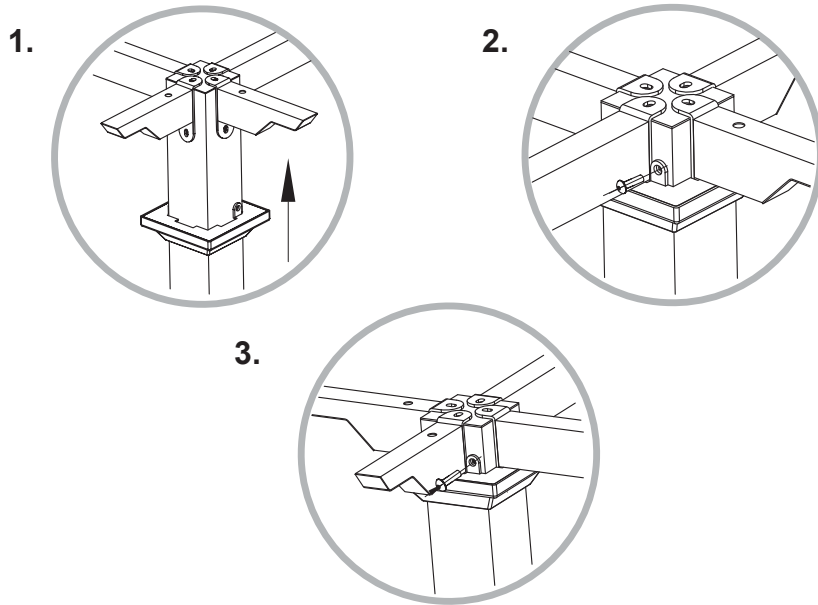
allen wrench



1. Attach the end tips (H) to the post leg1 & 2 (A1 & A2), secure with the M6\*15 mm screws (N) using the allen wrench (R).

**Do not completely tighten screws until all screws are in place.**

## step 05:



(Part N)×8

M6\*15mm screw



(Part R)×1

allen wrench

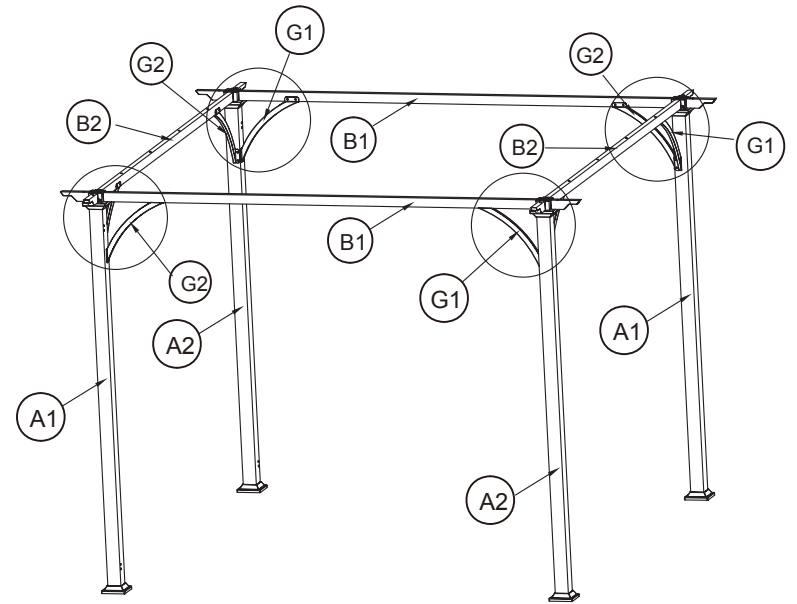
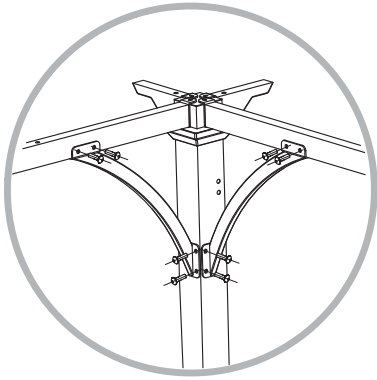


1. Push up the post decorations (I) and align the screw holes on the post leg1 & 2 (A1 & A2), secure with M6\*15 mm screws (N) using the allen wrench (R).

**Do not completely tighten screws until all screws are in place.**

## step 06:

---



---

(Part N)×32

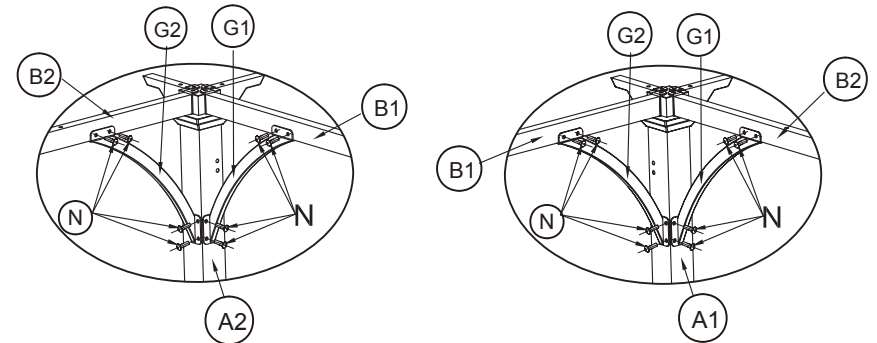
(Part R)×1

M6\*15mm screw

allen wrench



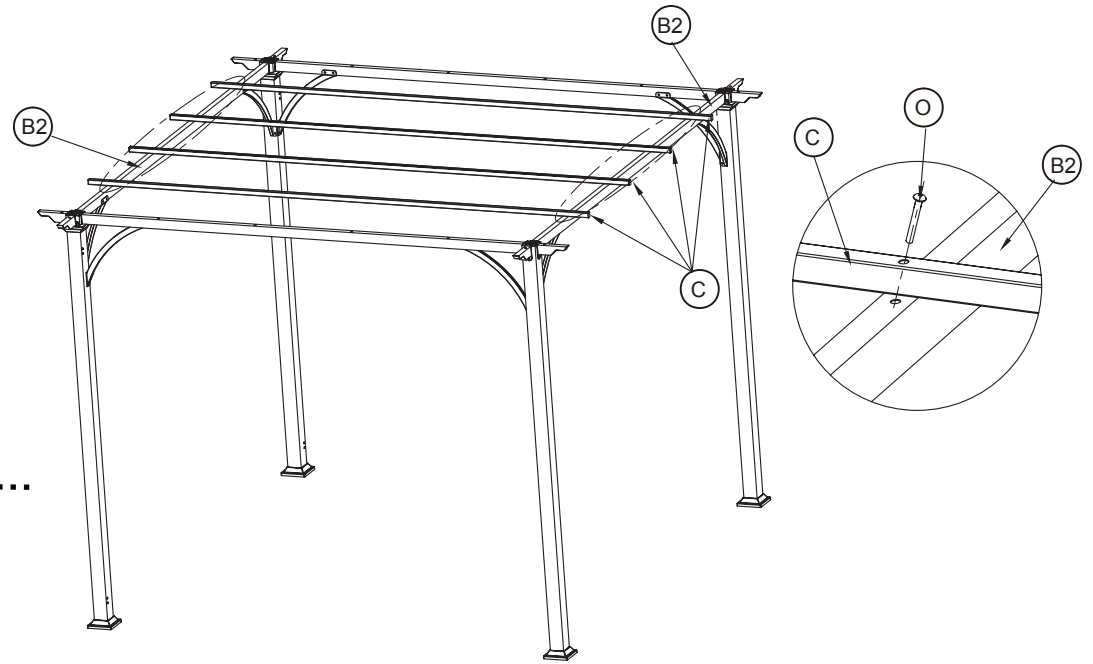
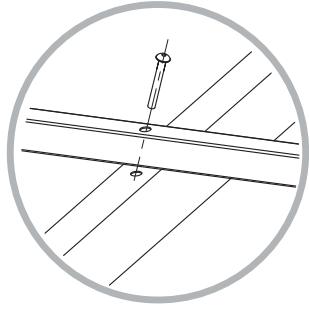
1. Attach the corner bracket1 & 2 (G1 & G2) to the post leg1 & 2 (A1 & A2) and the connector bar1 & 2 (B1&B2), secure with M6\*15mm screws (N) using the allen wrench (R) .



**Do not completely tighten screws until all screws are in place.**

## step 07:

---



---

**(Part O)×8**

M6\*35mm screw



**(Part R)×1**

allen wrench

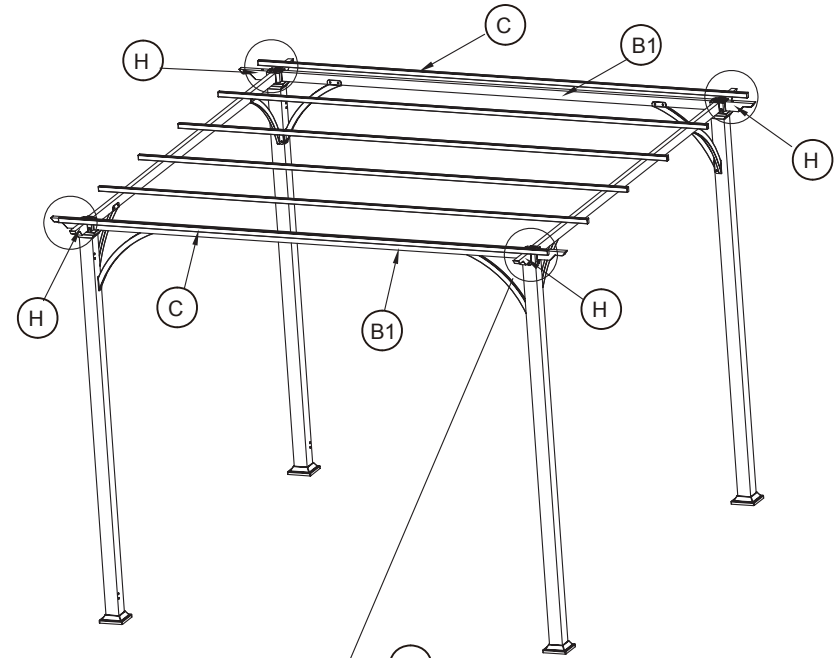
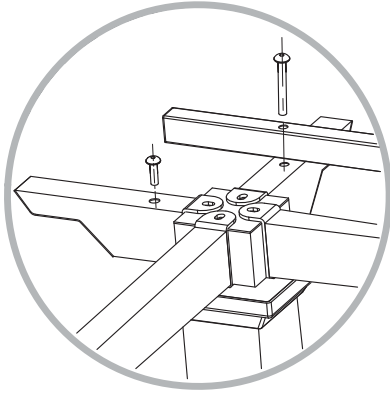


1. Attach 4 of the top bars (C) to both connector bar2 (B2), secure with M6\*35 mm screws (O) using the allen wrench (R).

**Do not completely tighten screws until all screws are in place.**

## step 08:

---



(Part N)×4

M6\*15mm screw



(Part O)×4

M6\*35mm screw

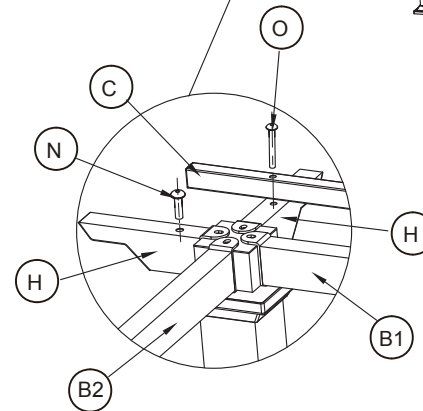


(Part R)×1

allen wrench



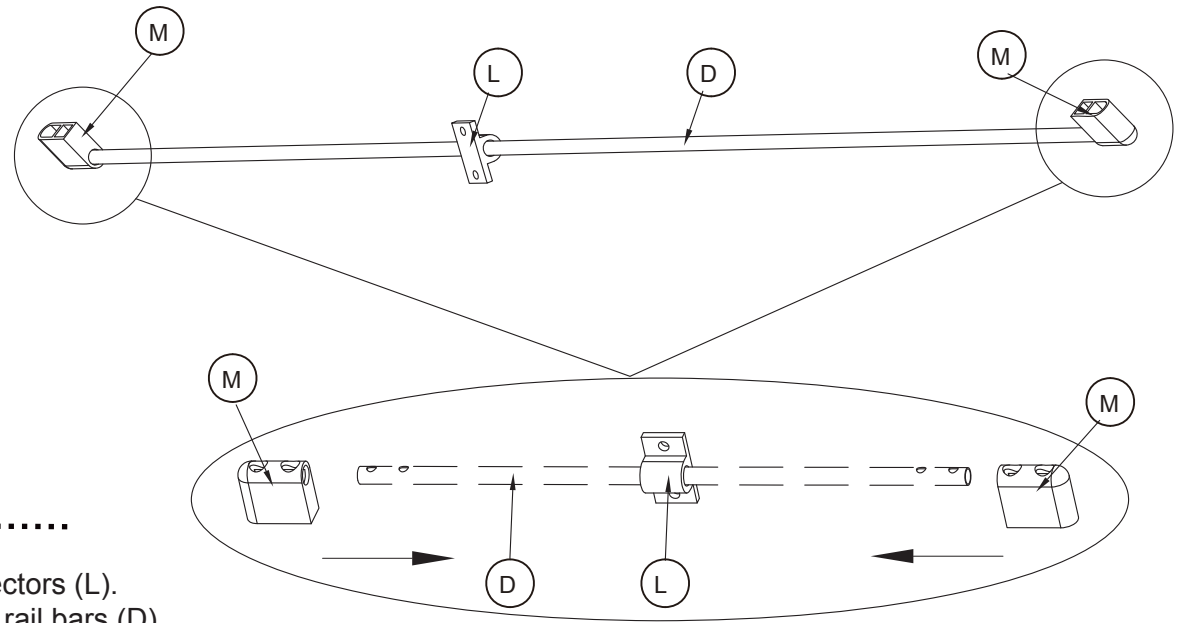
1. Attach another 2 top bars (C) to the end tips (H), secure with M6\*15mm screws (N) and M6\*35mm screws (O) using the allen wrench (R). Make sure all top bars (C) are parallel.



**Do not completely tighten screws until all screws are in place.**

## step 09:

---



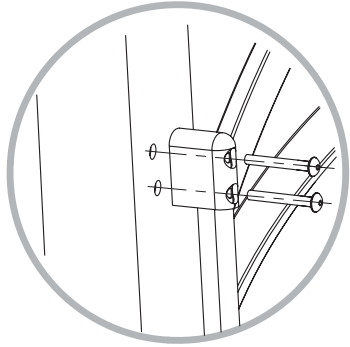
- 
1. Insert the rail bars (D) through the hole of the tube connectors (L).
  2. Insert the duo tube connectors (M) onto both ends of the rail bars (D).

**Do not completely tighten screws until all screws are in place.**

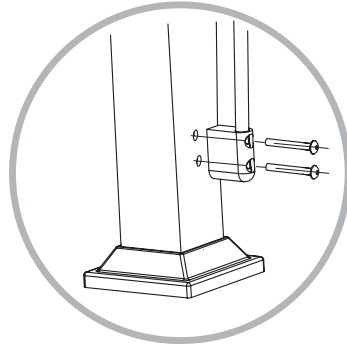
## step 10:

---

1.



2.



---

(Part P)×16

M6\*55mm screw

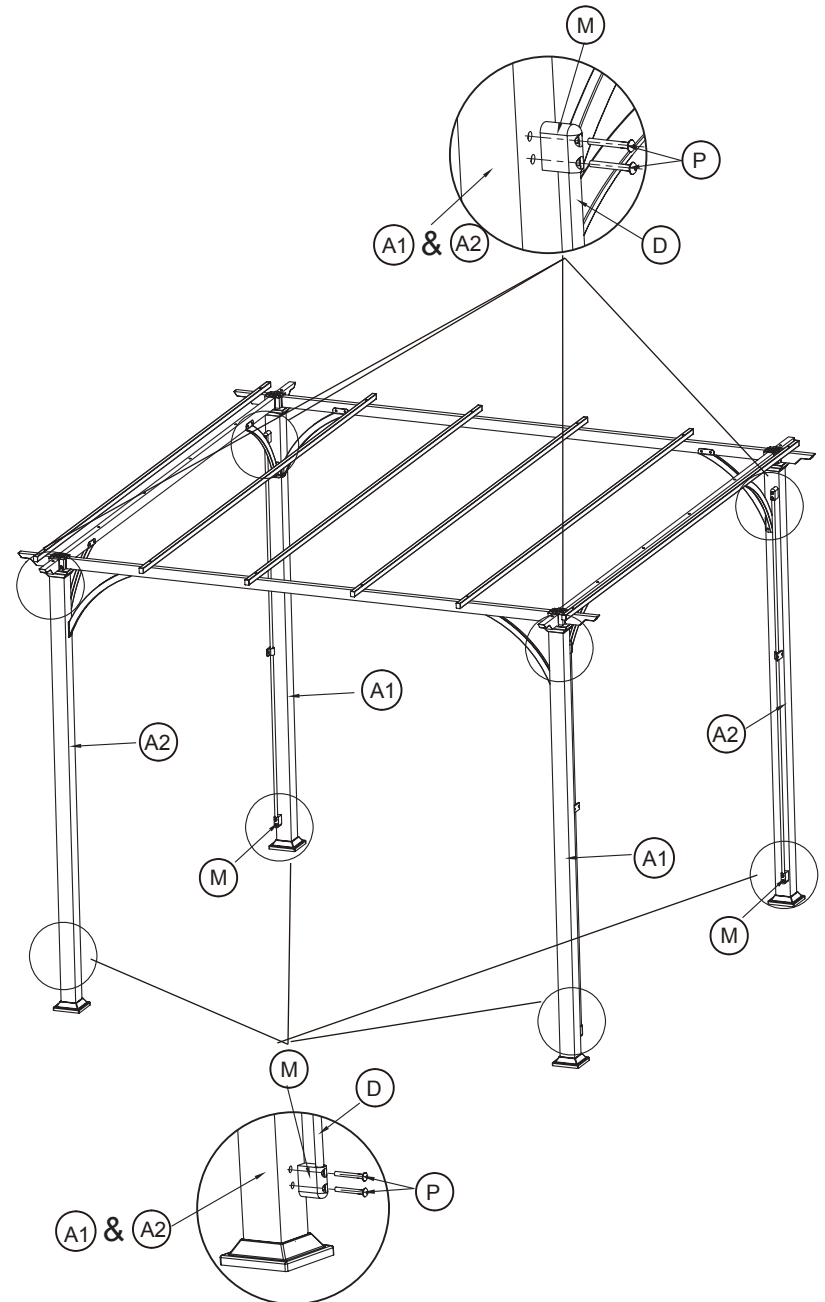


(Part R)×1

allen wrench



1. Attach the rail bars (D) and the suo tube connectors (M) to the post leg 1 & 2 (A1 & A2), secure with M6\*55mm screws (P) using the allen wrench (R).

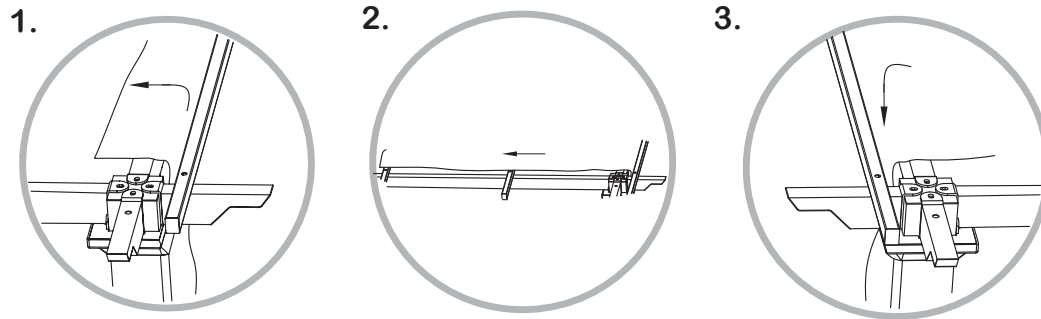


**Do not completely tighten screws until all screws are in place.**

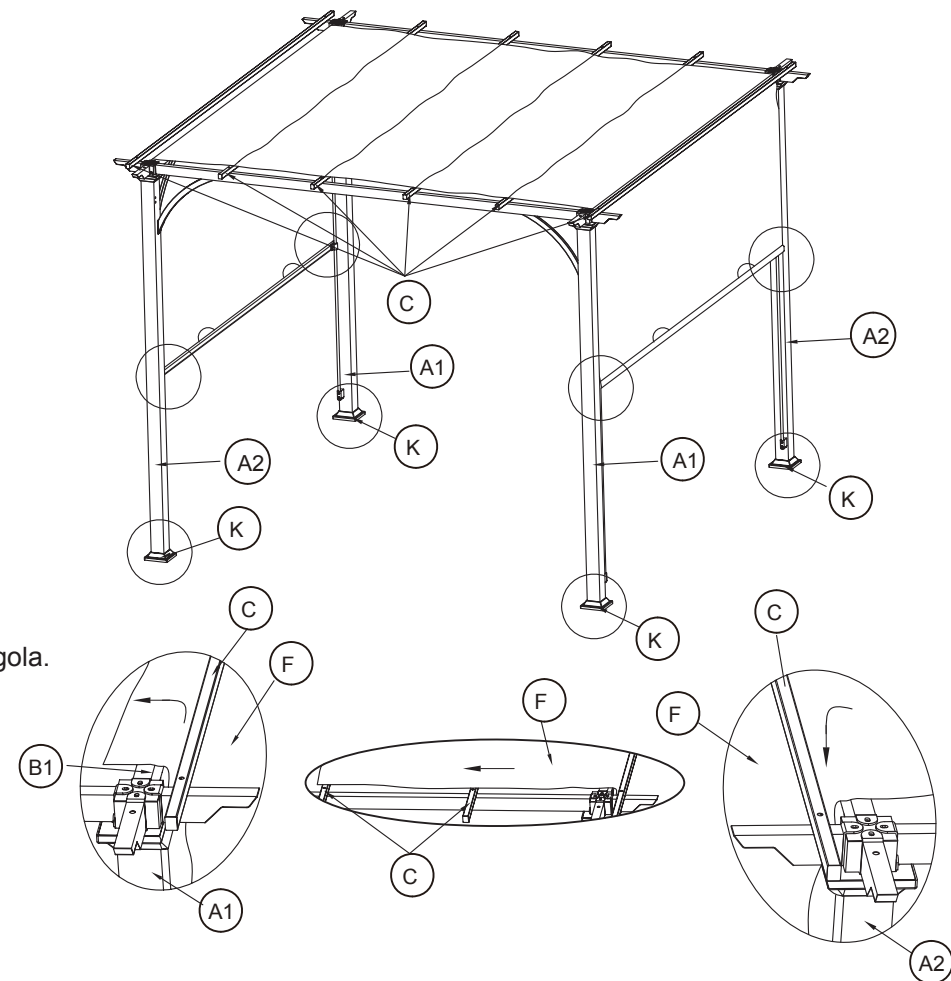


## step 11:

---



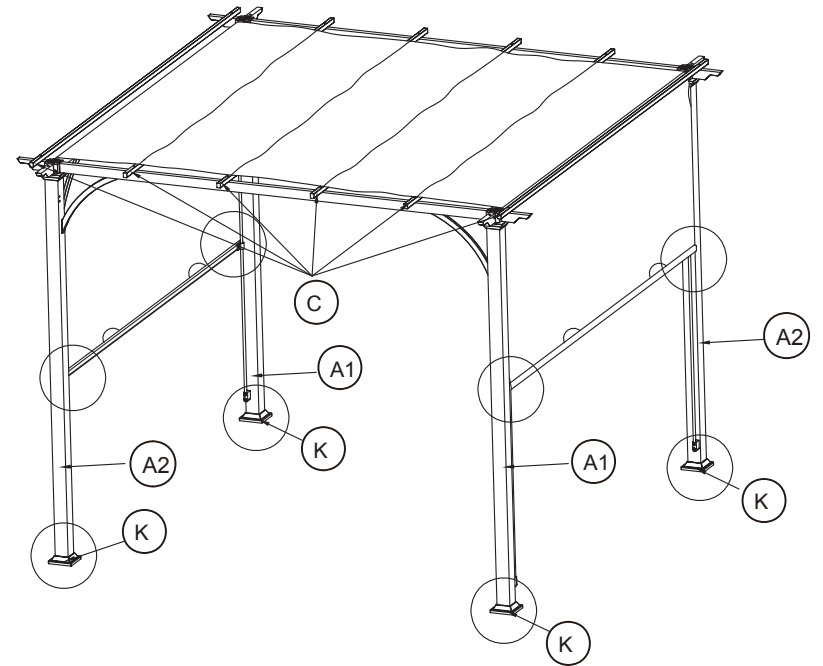
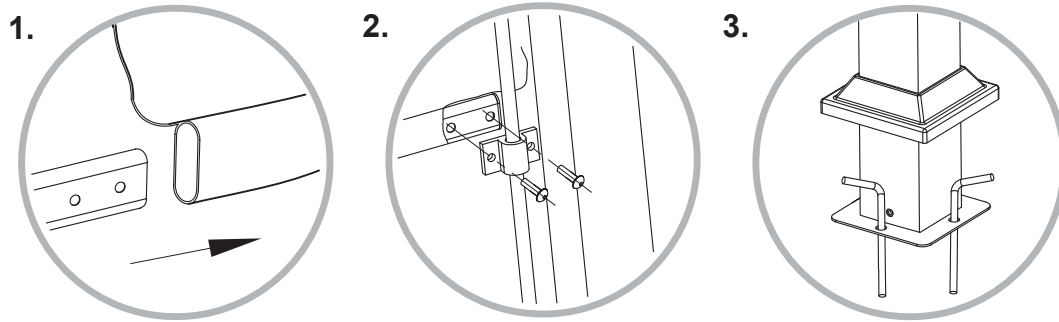
- 
1. Insert the sling cover (F) through the space between the top bar (C) and the connector bar1 (B1), ensure the sewing seams on the sling cover (F) face inside the pegola.
  2. Pull the sling cover (F) on to the top bar (C).
  3. Insert another end of sling cover (F) through another side of the space between the top bar (C) and the connector bar1 (B1).



**Do not completely tighten screws until all screws are in place.**

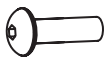
# step 12:

---



**(Part N)×8**

M6\*15 screw



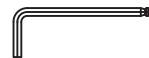
**(Part Q)×16**

ground spikes

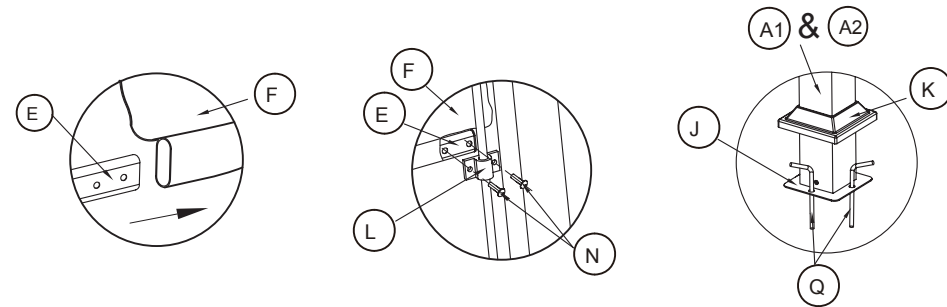


**(Part R)×2**

allen wrench



1. Insert the shade rod (E) into the pocket on the 2 side of sling cover (F), the screw holes should be faced to the inside of pergola.
2. Align the screw holes of shade rod (E) and tube connectors (L), then secure with M6\*15 mm screws (N) using the allen wrench (R).
3. Lift up the post base plates (K), insert the ground spikes (Q) through the post base (J) and into the ground.



**Do not completely tighten screws until all screws are in place.**

**step 13:**

---

.....  
1. Tighten all screws. Ensure all connections are secure before use.

You are now ready to enjoy your new pergola.



For longer life, cover and store when not in use.

**Frame Care:**

Wipe clean with damp cloth. Use only mild soap and detergents.

**Thank you for making your Patio purchase at Target! Please review your purchase on Target.com.**

