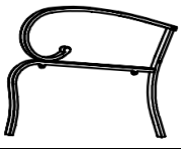

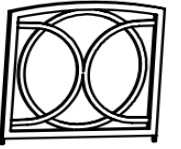


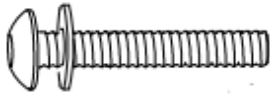





SAVE THESE INSTRUCTIONS

SONOMA CLAREMONT STATIONARY CHAIR CHAT SET ASSEMBLY INSTRUCTIONS ASSEMBLE ON A FLAT, PROTECTED SURFACE.

| PART LIST | FIGURE | QUANTITY | DESCRIPTION |
|-----------|-------------------------------------------------------------------------------------|--------------|---------------------------------------|
| A |  | 1 PC | RIGHT ARM |
| B |  | 1 PC | LEFT ARM |
| C |  | 1 PC | BACK |
| D |  | 1 PC | SEAT |
| E |  | 6 PCS + 1 PC | FLAT WASHER + SHORT BOLT (M6*20MM) |
| F |  | 2 PCS + 1 PC | FLAT WASHER + LONG BOLT (M6*40MM) |
| G |  | 1 PC | ALLEN WRENCH |
| H |  | 1 PC | BACK CUSHION |
| I |  | 1 PC | SEAT CUSHION |

FOR MISSING OR INCORRECT PARTS/HARDWARE, CONTACT THE MANUFACTURER'S CUSTOMER SERVICE DIRECTLY AT
1-866-905-4107 OR WWW.YOTRIOINT.COM
REFER TO LAST PAGE FOR ADDITIONAL CUSTOMER SERVICE DETAILS.

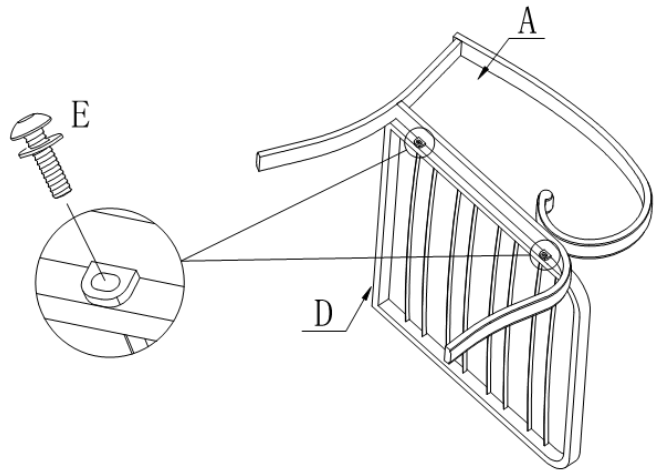
ASSEMBLY INSTRUCTIONS (CONTINUED)

SONOMA CLAREMONT STATIONARY CHAIR CHAT SET ASSEMBLY INSTRUCTIONS

STEP 1

A. PLACE SEAT (D) ON A FLAT, PROTECTED SURFACE WHILE HOLDING IT ON ITS SIDE AS SHOWN.

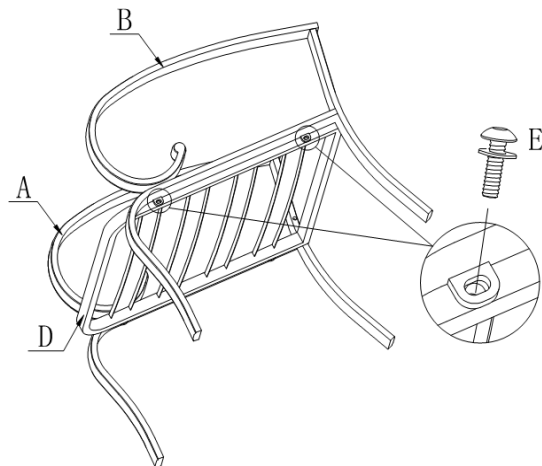
B. CONNECT RIGHT ARM (A) TO SEAT (D) WITH FLAT WASHERS AND SHORT BOLTS (E) USING ALLEN WRENCH (G). DO NOT TIGHTEN COMPLETELY.



STEP 2

A. ROTATE ASSEMBLED UNIT TO HAVE RIGHT ARM ON FLAT, PROTECTED SURFACE.

B. CONNECT LEFT ARM (B) TO SEAT (D) WITH FLAT WASHERS AND SHORT BOLTS (E) USING ALLEN WRENCH (G). DO NOT TIGHTEN COMPLETELY.

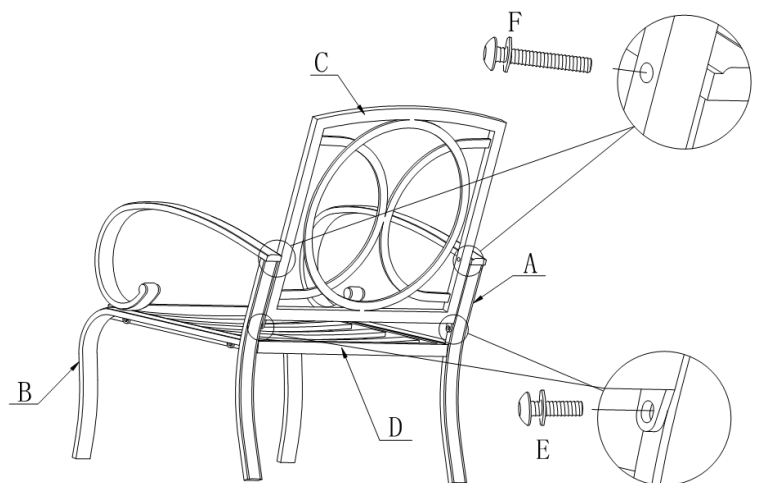


STEP 3

A. ROTATE ASSEMBLED UNIT TO THE STANDING POSITION.

B. CONNECT BACK (C) TO RIGHT ARM (A) AND LEFT ARM (B) WITH FLAT WASHERS AND SHORT BOLTS (E) AND FLAT WASHERS AND LONG BOLTS (F) USING ALLEN WRENCH (G). DO NOT TIGHTEN COMPLETELY.

C. COMPLETELY TIGHTEN ALL BOLTS WITH ALLEN WRENCH (G) FROM STEPS 1 THROUGH 3.



ASSEMBLY INSTRUCTIONS (CONTINUED)

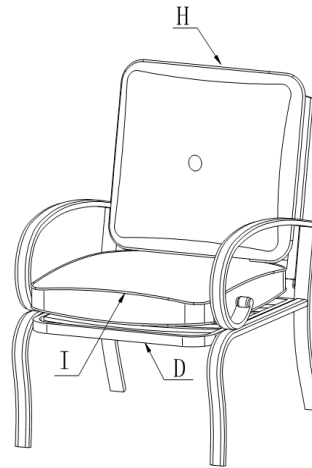
SONOMA CLAREMONT STATIONARY CHAIR CHAT SET ASSEMBLY INSTRUCTIONS

STEP 4

A. PLACE SEAT CUSHION (I) ON CHAIR AND ATTACH TIES TO BACK CROSSBAR.

B. PLACE BACK CUSHION (H) ON CHAIR.

C. ASSEMBLY IS COMPLETE.



** WE RECOMMEND THAT YOU SAVE THE ALLEN WRENCH AND PERIODICALLY TIGHTEN ALL BOLTS.

WEIGHT LIMIT

CHAIR: 250 LBS

CARE AND CLEANING

FRAME: WIPE CLEAN WITH A MILD SOAP AND WATER SOLUTION, RINSE WITH CLEAN WATER, AND DRY THOROUGHLY.

CUSHION: SPOT CLEAN WITH A SOFT, DAMP CLOTH.

DO NOT STAND OR CLIMB ON CHAIR.

IN ORDER TO PROLONG THE LIFE OF YOUR CHAIR, PLEASE STORE IN DRY SHELTERED PLACE WHEN NOT IN USE OR DURING INCLEMENT WEATHER.

WARRANTY

1 YEAR LIMITED WARRANTY FOR FRAME AND CUSHIONS.

CUSTOMER SERVICE: PLEASE NOTE - DO NOT RETURN THIS ITEM TO THE RETAILER.

CUSTOMER SERVICE HOT LINE: 1-866-905-4107

SERVICE HOURS: 11:30 A. M. to 8:00 P. M. EASTERN STANDARD TIME /8:30 A. M. to 5:00 P. M. PACIFIC STANDARD TIME

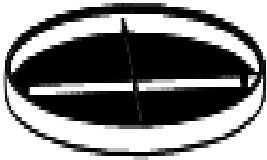

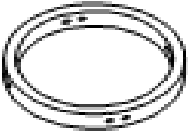
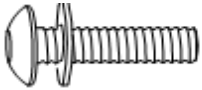

WEBSITE: WWW.YOTRIOINT.COM

TO ASSIST YOU BETTER, PLEASE GATHER THE FOLLOWING INFORMATION BEFORE CALLING CUSTOMER SERVICE:

PRODUCT NAME AND STYLE NUMBER, DESCRIPTION AND OR IMAGES OF THE ISSUE, ORIGINAL STORE PURCHASE RECEIPT.

SAVE THESE INSTRUCTIONS

SONOMA CLAREMONT SIDE TABLE CHAT SET ASSEMBLY INSTRUCTIONS ASSEMBLE ON A FLAT, PROTECTED SURFACE.

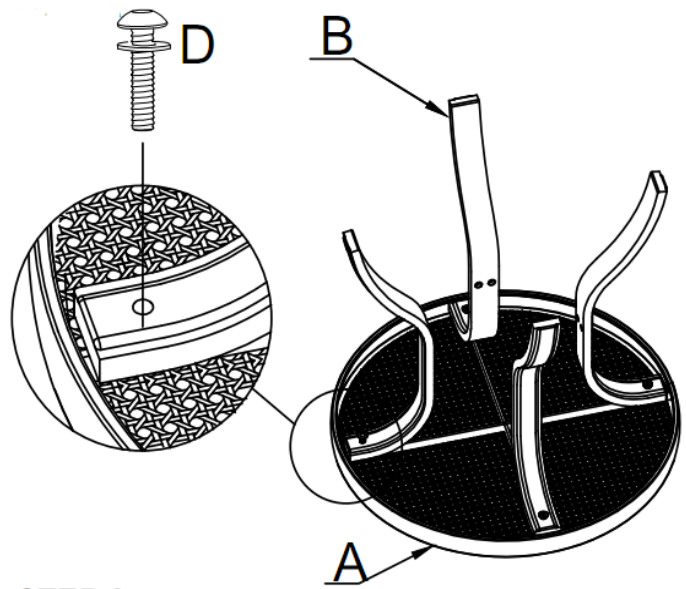
| PART LIST | FIGURE | QUANTITY | DESCRIPTION |
|-----------|-------------------------------------------------------------------------------------|---------------|---------------------------------|
| A |  | 1 PC | TOP |
| B |  | 4 PCS | LEG |
| C |  | 1 PC | LEG CONNECTOR |
| D |  | 12 PCS + 1 PC | FLAT WASHER + BOLT (M6*25MM) |
| E |  | 1 PC | ALLEN WRENCH |

FOR MISSING OR INCORRECT PARTS/HARDWARE, CONTACT THE MANUFACTURER'S CUSTOMER SERVICE DIRECTLY AT
1-866-905-4107 OR WWW.YOTRIOINT.COM
REFER TO LAST PAGE FOR ADDITIONAL CUSTOMER SERVICE DETAILS.

ASSEMBLY INSTRUCTIONS (CONTINUED)
SONOMA CLAREMONT SIDE TABLE CHAT SET ASSEMBLY INSTRUCTIONS

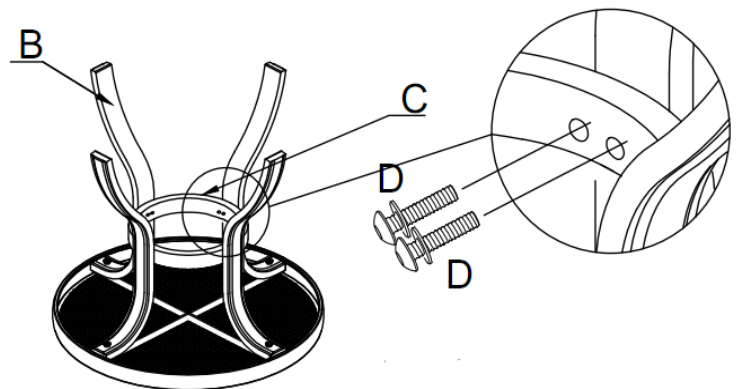
STEP 1

- A. PLACE TOP (A) UPSIDE DOWN ON A FLAT, PROTECTED SURFACE.
- B. ATTACH LEGS (B) TO TOP (A) WITH FLAT WASHERS AND BOLTS (D) USING ALLEN WRENCH (E). DO NOT TIGHTEN COMPLETELY.



STEP 2

- A. ATTACH LEG CONNECTOR (C) TO LEGS (B) WITH FLAT WASHERS AND BOLTS (D) USING ALLEN WRENCH (E). DO NOT TIGHTEN COMPLETELY.
- B. TIGHTEN COMPLETELY ALL BOLTS ON LEG CONNECTOR (C) FIRST THEN AT TOP (A) WITH ALLEN WRENCH (E).



ASSEMBLY INSTRUCTIONS (CONTINUED)
SONOMA CLAREMONT SIDE TABLE CHAT SET ASSEMBLY INSTRUCTIONS

STEP 3

A. ROTATE TABLE TO THE UPRIGHT POSITION.

B. ASSEMBLY IS COMPLETE.



**** WE RECOMMEND THAT YOU SAVE THE ALLEN WRENCH AND PERIODICALLY TIGHTEN ALL BOLTS.**

WEIGHT LIMIT

SIDE TABLE: 115 LBS

CARE AND CLEANING

FRAME: WIPE CLEAN WITH A MILD SOAP AND WATER SOLUTION, RINSE WITH CLEAN WATER, AND DRY THOROUGHLY.
DO NOT SIT, STAND, OR CLIMB ON TABLE.

IN ORDER TO PROLONG THE LIFE OF YOUR TABLE, PLEASE STORE IN DRY SHELTERED PLACE WHEN NOT IN USE OR DURING INCLEMENT WEATHER.

WARRANTY

1 YEAR LIMITED WARRANTY FOR FRAME AND CUSHIONS.

CUSTOMER SERVICE: PLEASE NOTE - DO NOT RETURN THIS ITEM TO THE RETAILER.

CUSTOMER SERVICE HOT LINE: 1-866-905-4107

SERVICE HOURS: 11:30 A. M. to 8:00 P. M. EASTERN STANDARD TIME /8:30 A. M. to 5:00 P. M. PACIFIC STANDARD TIME

WEBSITE: WWW.YOTRIOINT.COM

TO ASSIST YOU BETTER, PLEASE GATHER THE FOLLOWING INFORMATION BEFORE CALLING CUSTOMER SERVICE:

PRODUCT NAME AND STYLE NUMBER, DESCRIPTION AND OR IMAGES OF THE ISSUE, ORIGINAL STORE PURCHASE RECEIPT.