

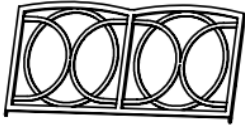
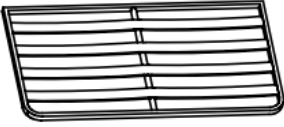
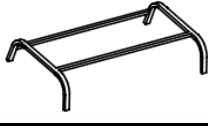


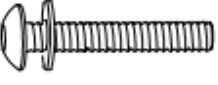








SAVE THESE INSTRUCTIONS

SONOMA CLAREMONT GLIDER ASSEMBLY INSTRUCTIONS

ASSEMBLE ON A FLAT, PROTECTED SURFACE.

PART LIST	FIGURE	QUANTITY	DESCRIPTION
A		1 PC	RIGHT ARM
B		1 PC	LEFT ARM
C		1 PC	BACK
D		1 PC	SEAT
E		1 PC	BASE
F		2 PCS	GLIDER
G		6 PCS + 1 PC	FLAT WASHER + MEDIUM BOLT (M6*20)
H		2 PCS + 1 PC	FLAT WASHER + LONG BOLT (M6*40)
I		8 PCS + 1 PC	SHORT BOLT (M6*18)
J		8 PCS + 1 PC	PLASTIC WASHER

ASSEMBLY INSTRUCTIONS (CONTINUED)
SONOMA CLAREMONT GLIDER ASSEMBLY INSTRUCTIONS

PART LIST	FIGURE	QUANTITY	DESCRIPTION
K		8 PCS + 1 PC	FLAT WASHER
L		1 PC	ALLEN WRENCH
M		1 PC	SEAT CUSHION
N		2 PCS	BACK CUSHION

FOR MISSING OR INCORRECT PARTS/HARDWARE, CONTACT THE MANUFACTURER'S CUSTOMER SERVICE DIRECTLY AT
 1-866-905-4107 OR WWW.YOTRIOINT.COM
 REFER TO LAST PAGE FOR ADDITIONAL CUSTOMER SERVICE DETAILS.

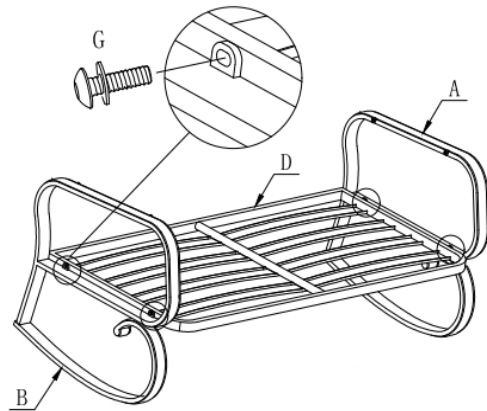
ASSEMBLY INSTRUCTIONS (CONTINUED)
SONOMA CLAREMONT GLIDER ASSEMBLY INSTRUCTIONS

STEP 1

A. PLACE RIGHT ARM (A) UPSIDE DOWN ON A FLAT, PROTECTED SURFACE.

B. ATTACH SEAT (D) TO RIGHT ARM (A) WITH FLAT WASHERS AND MEDIUM BOLTS (G) USING ALLEN WRENCH (L). DO NOT TIGHTEN COMPLETELY.

C. ATTACH SEAT (D) TO LEFT ARM (B) WITH FLAT WASHERS AND MEDIUM BOLTS (G) USING ALLEN WRENCH (L). DO NOT TIGHTEN COMPLETELY.

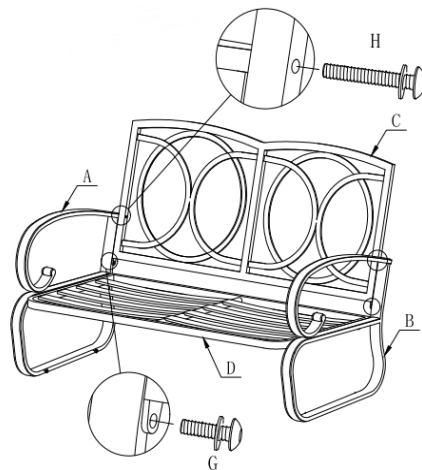


STEP 2

A. TURN SEAT ASSEMBLY TO THE UPRIGHT POSITION.

B. CONNECT MIDDLE OF BACK (C) TO TOP OF RIGHT ARM (A) AND LEFT ARM (B) WITH FLAT WASHERS AND LONG BOLTS (H) USING ALLEN WRENCH (L). DO NOT TIGHTEN COMPLETELY.

C. CONNECT BOTTOM OF BACK (C) TO RIGHT ARM (A) AND LEFT ARM (B) WITH FLAT WASHERS AND MEDIUM BOLTS (G) USING ALLEN WRENCH (L). DO NOT TIGHTEN COMPLETELY.



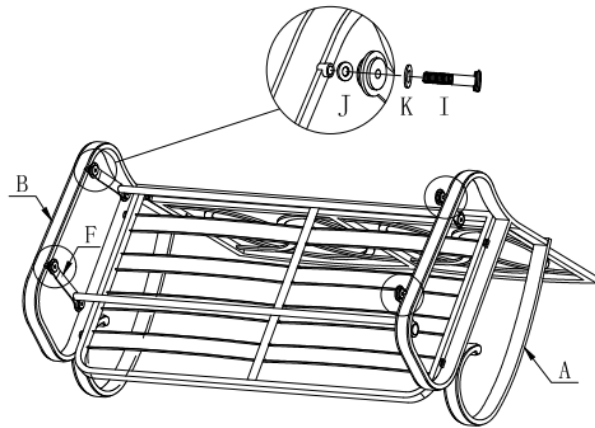
ASSEMBLY INSTRUCTIONS (CONTINUED)
SONOMA CLAREMONT GLIDER ASSEMBLY INSTRUCTIONS

STEP 3

A. CAREFULLY ROTATE THE ASSEMBLED UNIT ONTO ITS FRONT.

B. ATTACH LONG ARM OF GLIDER (F) TO BOTTOM OF RIGHT ARM (A) WITH PLASTIC WASHERS (J), FLAT WASHERS (K), AND SHORT BOLTS (I) USING ALLEN WRENCH (L). DO NOT TIGHTEN COMPLETELY.

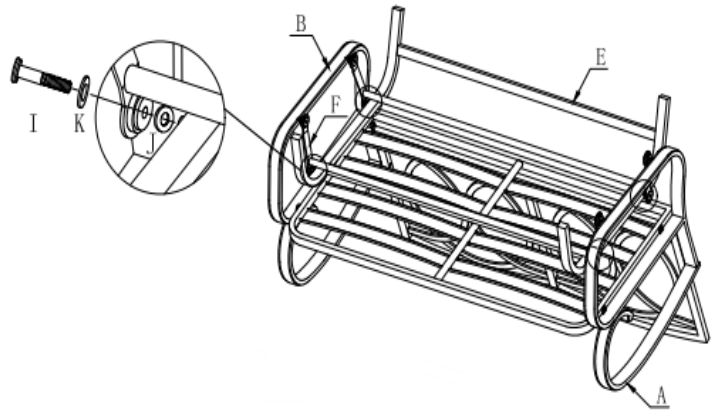
C. ATTACH LONG ARM OF GLIDER (F) TO BOTTOM OF LEFT ARM (B) WITH PLASTIC WASHERS (J), FLAT WASHERS (K), AND SHORT BOLTS (I) USING ALLEN WRENCH (L). DO NOT TIGHTEN COMPLETELY.



STEP 4

A. ATTACH BASE (E) TO SHORT ARMS OF GLIDERS (F) WITH PLASTIC WASHERS (J), FLAT WASHERS (K), AND SHORT BOLTS (I) USING ALLEN WRENCH (L).

B. TIGHTEN ALL BOLTS COMPLETELY.



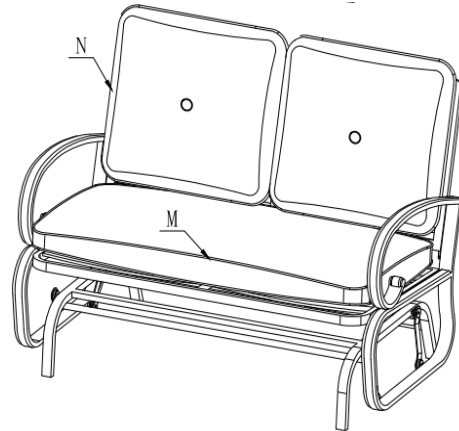
ASSEMBLY INSTRUCTIONS (CONTINUED)
SONOMA CLAREMONT GLIDER ASSEMBLY INSTRUCTIONS

STEP 5

A. TURN GLIDER TO ITS UPRIGHT POSITION SO THAT IT STANDS STABLE ON THE FLOOR.

B. PLACE SEAT CUSHION (M) ON SEAT (D) AND ATTACH TIES TO BACK CROSSBAR THEN PLACE BACK CUSHIONS (N).

C. ASSEMBLY IS COMPLETE.



**** WE RECOMMEND THAT YOU SAVE THE ALLEN WRENCH AND PERIODICALLY TIGHTEN ALL BOLTS.**

WEIGHT LIMIT

CHAIR: 500 LBS

CARE AND CLEANING

FRAME: WIPE CLEAN WITH A MILD SOAP AND WATER SOLUTION, RINSE WITH CLEAN WATER, AND DRY THOROUGHLY.

CUSHION: SPOT CLEAN WITH A SOFT, DAMP CLOTH.

DO NOT STAND OR CLIMB ON GLIDER.

IN ORDER TO PROLONG THE LIFE OF YOUR GLIDER, PLEASE STORE IN DRY SHELTERED PLACE WHEN NOT IN USE OR DURING INCLEMENT WEATHER.

WARRANTY

1 YEAR LIMITED WARRANTY FOR FRAME AND CUSHIONS.

CUSTOMER SERVICE: PLEASE NOTE - DO NOT RETURN THIS ITEM TO THE RETAILER.

CUSTOMER SERVICE HOT LINE: 1-866-905-4107

SERVICE HOURS: 11:30 A. M. to 8:00 P. M. EASTERN STANDARD TIME /8:30 A. M. to 5:00 P. M. PACIFIC STANDARD TIME

WEBSITE: WWW.YOTRIOINT.COM

TO ASSIST YOU BETTER, PLEASE GATHER THE FOLLOWING INFORMATION BEFORE CALLING CUSTOMER SERVICE: PRODUCT NAME AND STYLE NUMBER, DESCRIPTION AND OR IMAGES OF THE ISSUE, ORIGINAL STORE PURCHASE RECEIPT.