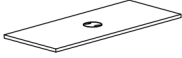
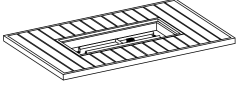
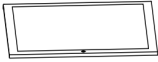

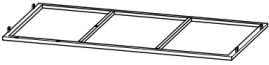
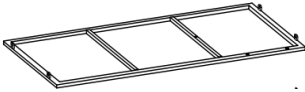



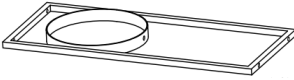

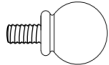

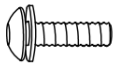
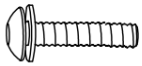
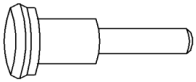




SAVE THESE INSTRUCTIONS
BLACK METAL SLAT FIRE PIT ASSEMBLY INSTRUCTIONS
ASSEMBLE ON A FLAT, PROTECTED SURFACE.

PART LIST	FIGURE	QUANTITY	DESCRIPTION
A		1 PC	BURNER LID
B		1 PC	TABLE TOP
C		1 PC	DOOR PANEL
D		1 PC	BACK PANEL
E		1 PC	SIDE PANEL 1
F		1 PC	SIDE PANEL 2
G		1 PC	TABLE LEG 1
H		1 PC	TABLE LEG 2
I		2 PCS	TABLE LEG 3
J		1 PC	TANK SUPPORT
K		1 PC	SUPPORT BAR
L		1 PC	DOOR HANDLE
M		1 PC	LAVA ROCKS

BLACK METAL SLAT FIRE PIT ASSEMBLY INSTRUCTIONS (CONTINUED)

****DO NOT FULLY TIGHTEN HARDWARE UNLESS DIRECTED****

PART LIST	FIGURE	QUANTITY	DESCRIPTION
N		22 PCS+1PC	SMALL BOLT AND WASHER M6*15
O		4 PCS+1PC	LARGE BOLT AND WASHER M6*25
P		1 PC	DOOR BOLT
Q		2 PCS	WASHER
R		1 PC	ALLEN WRENCH

* Only include size/measurement info in the description column for bolts and screws

FOR MISSING OR INCORRECT PARTS/HARDWARE, CONTACT THE MANUFACTURER'S CUSTOMER SERVICE DIRECTLY AT
(Fill in # and/or email).
REFER TO LAST PAGE FOR ADDITIONAL CUSTOMER SERVICE DETAILS.

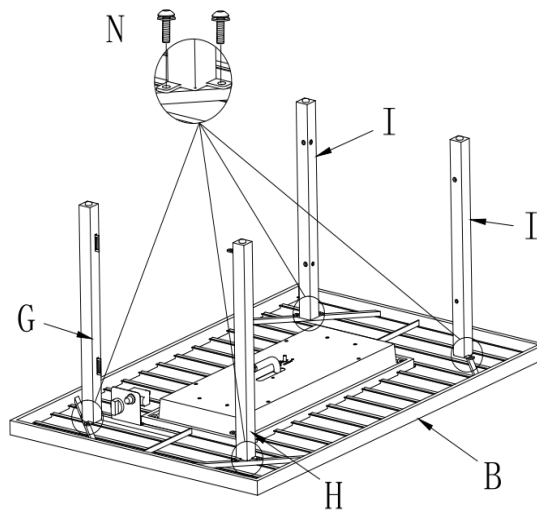
BLACK METAL SLAT FIRE PIT ASSEMBLY INSTRUCTIONS (CONTINUED)

****DO NOT FULLY TIGHTEN HARDWARE UNLESS DIRECTED****

STEP 1

A. PLACE TABLE TOP UPSIDE DOWN ON A FLAT PROTECTED SURFACE.

B. CONNECT TABLE LEG 1 (G), TABLE LEG 2 (H) AND BOTH TABLE LEG 3 (I) TO TABLE TOP USING SMALL BOLTS AND WASHERS (N) AND ALLEN WRENCH (R). DO NOT TIGHTEN COMPLETELY.



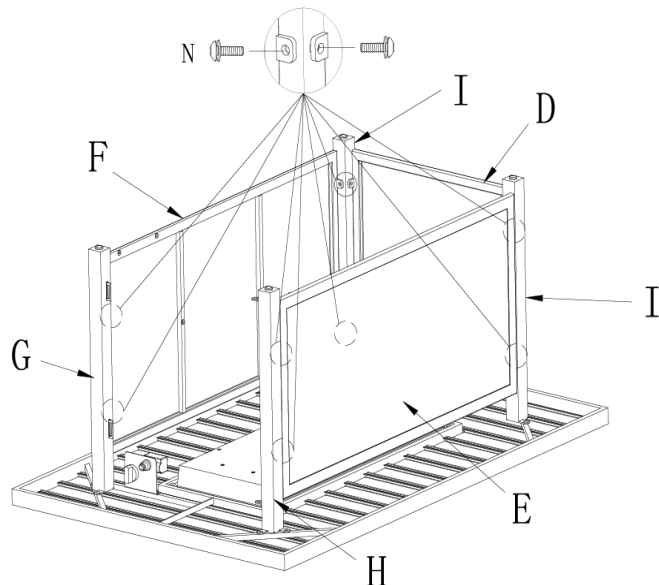
STEP 2

A. ATTACH THE BACK PANEL (D) TO TABLE LEG 3 (I) AS SHOWN USING SMALL BOLTS AND WASHERS (N) AND ALLEN WRENCH (R). DO NOT TIGHTEN COMPLETELY.

B. ATTACH THE SIDE PANEL 1 (E) TO TABLE LEG 3 (I) AND TABLE LEG 2 (H) AS SHOWN USING SMALL BOLTS AND WASHERS (N) AND ALLEN WRENCH (R). DO NOT TIGHTEN COMPLETELY.

C. ATTACH THE SIDE PANEL 2 (F) TO TABLE LEG 3 (I) AND TABLE LEG 1 (G) AS SHOWN USING SMALL BOLTS AND WASHERS (N) AND ALLEN WRENCH (R). DO NOT TIGHTEN COMPLETELY.

D. AT THIS TIME GO BACK TO ALL BOLTS FROM STEPS 1-2 AND TIGHTEN COMPLETELY.

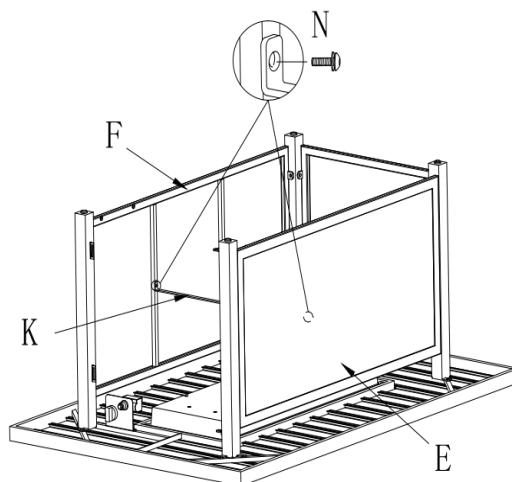


BLACK METAL SLAT FIRE PIT ASSEMBLY INSTRUCTIONS (CONTINUED)

****DO NOT FULLY TIGHTEN HARDWARE UNLESS DIRECTED****

STEP 3

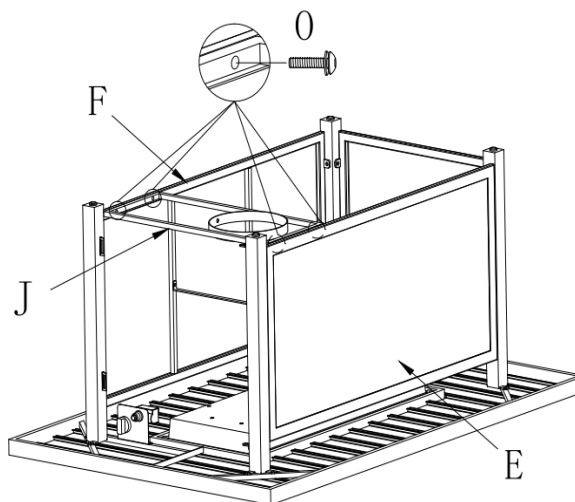
A. ATTACH SUPPORT BAR (K) TO SIDE PANEL 1 (E) AND SIDE PANEL 2 (F) AS SHOWN USING SMALL BOLTS AND WASHERS (N) AND ALLEN WRENCH (R).



STEP 4

A. ATTACH TANK SUPPORT BAR (J) TO SIDE PANEL 1 (E) AND SIDE PANEL 2 (F) AS SHOWN USING LARGE BOLT AND WASHERS (O) USING ALLEN WRENCH (R).

B. AT THIS TIME TIGHTEN BOLTS FROM STEPS 3-4 COMPLETELY.



BLACK METAL SLAT FIRE PIT ASSEMBLY INSTRUCTIONS (CONTINUED)

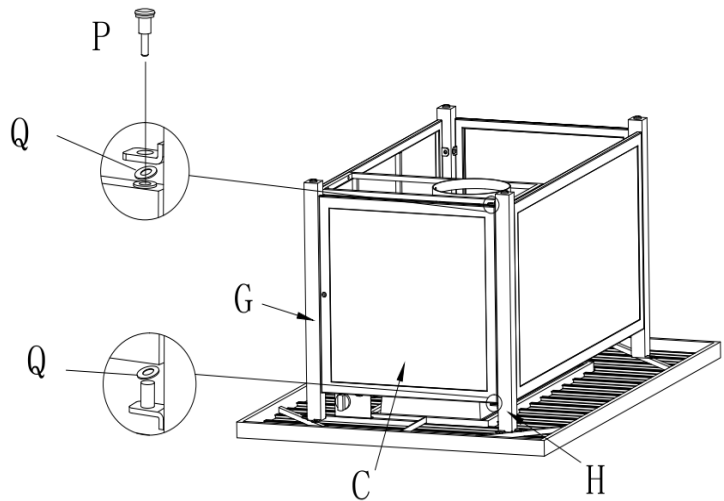
****DO NOT FULLY TIGHTEN HARDWARE UNLESS DIRECTED****

STEP 5

A. APPLY WASHER (Q) TO PEG ON LEG 2 (H) AS SHOWN.

B. ROTATE DOOR PANEL (C) UPSIDE DOWN TO MATCH ATTACHMENT ON LEG 2 (H). INSERT DOOR PANEL (C) OVER PEG ON LEG 2 (H) AND APPLIED WASHER (Q) AS SHOWN.

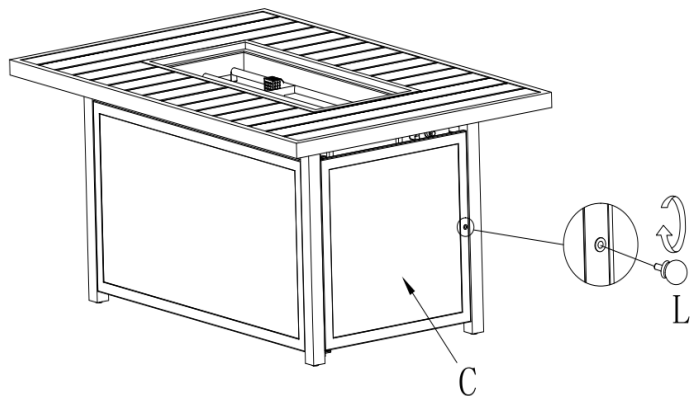
C. INSERT WASHER (Q) BETWEEN DOOR ATTACHMENT ON LEG 2 (H) AND DOOR PANEL (C) AS SHOWN. INSERT DOOR BOLT (P) THROUGH DOOR ATTACHMENT ON LEG 2 (H) AND INTO THREADED INSERT ON DOOR PANEL (C). TIGHTEN COMPLETELY USING ALLEN WRENCH (R)



STEP 6

A. ROTATE UNIT RIGHTSIDE UP ON A FLAT PROTECTED SURFACE.

B. INSERT DOOR KNOB (L) INTO THREADED INSERT ON DOOR PANEL (C) AND ROTATE CLOCKWISE TO TIGHTEN. TIGHTEN DOOR KNOB (L) COMPLETELY.

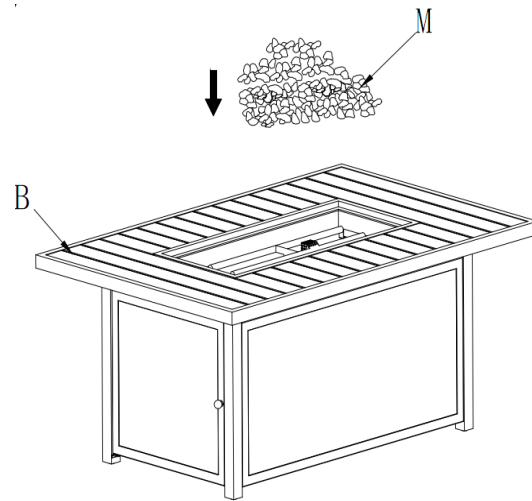


BLACK METAL SLAT FIRE PIT ASSEMBLY INSTRUCTIONS (CONTINUED)

****DO NOT FULLY TIGHTEN HARDWARE UNLESS DIRECTED****

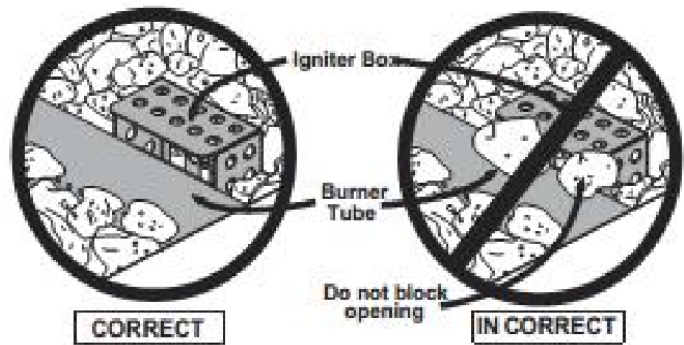
STEP 7

A. PLACE LAVA ROCKS (M) INTO TABLE TOP (B).



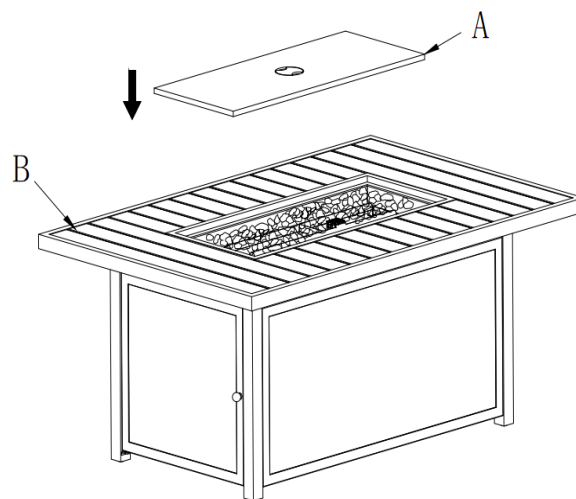
STEP 8

A. TO ENSURE PROPER FUNCTION, THE SCREENS ON THE BURNER MUST BE FREE OF LAVA ROCKS (M) AS SHOWN.



STEP 9

A. PLACE BURNER LID (A) OVER BURNER AND LAVA ROCKS (M) IN TABLE TOP (B).

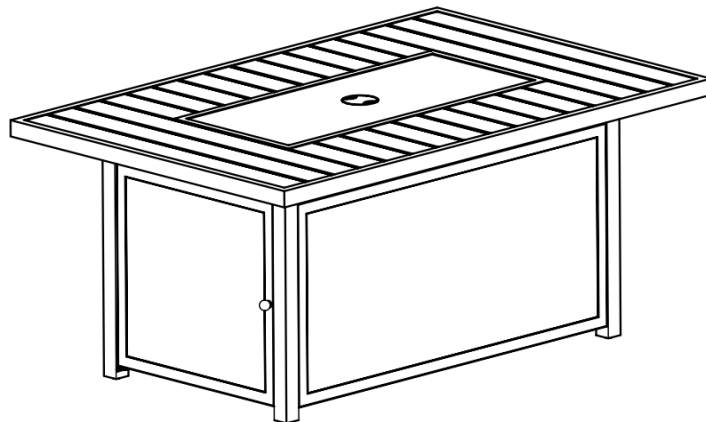


BLACK METAL SLAT FIRE PIT ASSEMBLY INSTRUCTIONS (CONTINUED)

****DO NOT FULLY TIGHTEN HARDWARE UNLESS DIRECTED****

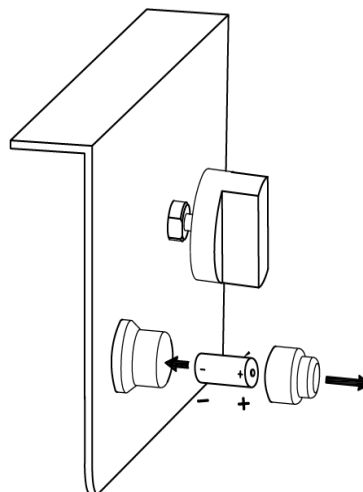
STEP 10

A. ASSEMBLY IS NOW COMPLETE. READ THROUGH DIRECTIONS BELOW FOR USE AND TROUBLE SHOOTING.



REPLACING BATTERY FOR LIGHTER

INSERT THE INCLUDED BATTERY AND KNOB INTO THE ELECTRIC IGNITER AND TWIST THE BUTTON COVER IN TO IGNITER HOUSING. DO NOT OVERTIGHTEN.



**** WE RECOMMEND THAT YOU SAVE THE ALLEN WRENCH (INPUT PART LETTER) AND PERIODICALLY TIGHTEN ALL BOLTS.**

WEIGHT LIMIT

TOP: 50 LBS; BURNER TRAY: 13.2 LBS

CARE AND CLEANING

USE WARM SOAPY WATER FOR CLEANING. NEVER USE FLAMMABLE OR CORROSIVE CLEANING AGENTS. WHILE WASHING YOUR UNIT, BE SURE TO KEEP THE AREA AROUND THE BURNER DRY AT ALL TIMES. IF THE GAS AIR FLOW MUST BE UNOBSTRUCTED. KEEP CONTROLS, BURNER, AND CIRCULATING AIR PASSAGEWAYS CLEAN. SIGNS

- GAS ODOR WITH EXTREME YELLOW TIPPING OF FLAME.
- FLAME GLOW IS EXCESSIVELY UNEVEN.
- FLAME MAKES POPPING NOISES.

SPIDER AND INSECTS CAN NEST IN BURNER OR ORIFICES. THIS DANGEROUS CONDITION CAN DAMAGE TO THE THE BURNER IS MADE FROM STAINLESS STEEL, BUT EXTREME HEAT AND A CORROSIVE ENVIRONMENT CAN CAUSE

MAINTENANCE

STORAGE BETWEEN USES:

TURN THE CONTROL KNOB TO "OFF" POSITION.

DISCONNECT PROPANE TANK.

STORE TABLE UPRIGHT IN AN AREA SHELTERED FROM DIRECT CONTACT WITH INCLEMENT WEATHER (SUCH AS RAIN, IF DESIRED, COVER TABLE TO PROTECT EXTERIOR SURFACES AND TO HELP PREVENT BUILD UP IN AIR PASSAGES.

NOTE: WAIT UNTIL TABLE IS COMPLETELY COOL BEFORE COVERING.

STORAGE DURING PERIODS OF EXTENDED INACTIVITY OR WHEN TRANSPORTING:

TURN THE CONTROL KNOB TO "OFF" POSITION.

DISCONNECT PROPANE TANK AND MOVE TO A SECURE, WELL VENTILATED OUTDOOR LOCATION. DO NOT STORE IN A STORE TABLE UPRIGHT IN AN AREA SHELTERED FROM DIRECT CONTACT WITH INCLEMENT WEATHER (SUCH AS RAIN, IF DESIRED, COVER TABLE TO PROTECT EXTERIOR SURFACES AND TO HELP PREVENT BUILD UP IN AIR PASSAGES.

NOTE: WAIT UNTIL TABLE IS COMPLETELY COOL BEFORE COVERING.

WARRANTY

1 YEAR LIMITED WARRANTY

WE WARRANT THE METAL FRAME TO BE FREE OF MANUFACTURING DEFECTS TO THE ORIGINAL PURCHASER THIS WARRANTY DOES NOT COVER COMMERCIAL USE, HARDWARE, ACTS OF NATURE, FIRE, FREEZING, AND PLEASE DO NOT RETURN THIS PRODUCT TO THE STORE. CONTACT YAYI TECH. AT 855-600-9294 FROM 9:00 AM TO 5:00 EST OR EMAIL CUSTOMERCARE@CHINA-YAYI.COM.

SAFETY AND WARNINGS

WARNING FIRE TABLE IS FOR
OUTDOOR USE ONLY



Installation and repair should be done by a qualified service person. The appliance should be inspected before use and at least annually by a qualified service person. More frequent cleaning may be required as necessary. It is imperative that the control compartment, burners and circulating air passageways of the appliance are kept clean.

WARNING Failure to follow the dangers, warning and cautions in this manual may result in serious bodily injury or death, or in a fire or an explosion causing damage to property.

IMPORTANT NOTICE Read and understand all warnings and precautions prior to assembly and use of your gas fire table. Improper installation, adjustment, alteration, service or maintenance can cause injury or property damage.

Note The use and installation of this product must conform to local codes. In the absence of local codes, use the National Fuel Gas Code, ANSI Z223.1/NFPA54. Reference to Natural Gas and Propane Installation code CS A B149.1 or Propane Storage and Handling code B149.2.

Do not locate this fire table under any overhead enclosure.

IF YOU SMELL GAS

- Shut off gas supply to the fire table.
- Extinguish any open flame.
- Do not try lighting any appliance.
- Do not touch any electrical switch; do not use any phone in your building.
- Immediately call your gas supplier from a neighbor's phone.
- Follow the gas supplier's instructions.
- If you cannot reach your gas supplier, call the fire department.

Children and adults should be alerted to the hazards of high surface temperatures and be kept at a safe distance while fire table is in use. This outdoor fire table is not to be operated by children. Young children should be closely supervised when in the vicinity of this outdoor fire table. Do not hang or place clothing or other flammable materials on or near the gas fire table. Any guard or protective device removed for servicing the appliance shall be replaced prior to operating the appliance.

- Keep these instructions for future reference. If you are assembling this unit for someone else, give this manual to him or her to read and keep for future reference.
- This gas fire table must be used ONLY outdoors in a well-ventilated space and shall NOT be used inside a building, garage, or any other enclosed area.
- DO NOT use this outdoor gas fire table for indoor heating. TOXIC carbon monoxide fumes can accumulate and cause asphyxiation.
- NEVER LEAVE this gas fire table unattended when in use.
- Do not store or use gasoline or other flammable vapors and liquids within 25 feet (7.62m) of this or any other appliance.
- Do not store any combustible materials in the base enclosure.
- DO NOT use in an explosive atmosphere. Keep gas fire table area a clear and free from combustible materials, gasoline and other flammable vapors and liquids.
- This outdoor fire table is not to be installed or used in or on recreational vehicles and/or boats.
- Always use in accordance with all applicable local, state and national codes. Contact your local fire department for details on outdoor burning.

IMPORTANT SAFETY INFORMATION (continued)

- Use the same precautions you would with any open fire when using this outdoor fire table.
- DO NOT burn solid fuels such as: wood, charcoal briquettes, lump charcoal, manufactured logs, driftwood, trash, leaves, wood in this outdoor fire table.
- DO NOT use this outdoor fire table until it is COMPLETELY assembled and all parts are securely fastened and tightened.
- DO NOT store another LP gas tank within 10 feet (3.05 m) of this outdoor fire table while it is in operation.
- DO NOT use this outdoor fire table near automobiles, trucks, vans or recreational vehicles.
- DO NOT use this outdoor fire table under any overhead structure or near any unprotected combustible constructions. Avoid using near or under overhanging trees and shrubs.
- DO NOT paint or color any part of this heating unit.
- Always use this outdoor fire table on a hard, level non-combustible surface such as concrete, rock or stone.
- DO NOT use this outdoor fire table if any part has been under water. Immediately call a qualified service technician to inspect the fire table and to replace any parts or any control system and any gas control which has been under water.
- DO NOT lean over this outdoor fire table when lighting or when in use.
- Use only the regulator and hose assembly provided. The replacement regulator and hose assembly shall be that specified by the manufacturer.
- DO NOT attempt to disconnect the gas regulator from the tank or any gas fitting while the outdoor fire table is in use.
- Always shut off the supply at the tank valve and disconnect regulator from the tank when the fire table is not in use.
- DO NOT sit on the fire table when the unit is in operation.
- DO NOT throw anything onto the fire when the unit is in operation.
- ROCKS are very hot; Please keep children or pets at a safe distance.
- It is essential to keep the outdoor fire table valve compartment, burners, and circulating air passages clean. Inspect outdoor fire table before each use.
- Prior to each fire table operation, check the hose for evidence of excessive abrasion or wear by looking through the visual replaced before using the gas fire table. The hose assembly can only be replaced with a hose assembly specified by the manufacturer. Please call Creative Outdoor Solutions at 866-292-8800.
- Place the hose out of the pathways where people may trip over it (if using external tank). Do not place the hose in areas where it may be subjected to accidental damage.

ATTENTION: Any alteration of the outdoor fire table that is not specifically directed in the operations manual will void manufacturer warranty.

PROPANE (LP) DANGERS AND WARNINGS

Propane Characteristics

- In its natural state, propane has no odor. For your safety, an odorant has been added.
- Contact with propane could burn your skin.
- Propane is extremely flammable and hazardous if handled improperly.

Propane Characteristics

LP GAS WARNINGS:

- Cylinders must be stored outdoors in a well-ventilated area out of reach of children.
- Disconnected cylinders must have threaded valve plugs tightly installed and must not be stored in a building, garage or any other enclosed area.
- Never use a propane cylinder with a damaged body, valve, collar or footing.
- Dented or rusted propane cylinders may be hazardous and should be checked by your propane gas supplier.
- Be sure to use only one 20 lb (9.1 kg) LP gas cylinder with a Type 1 valve with this appliance as required by the American National Standards Institute (ANSI) and the Canadian Standards Steering Committee.
- Only tanks marked "propane" may be used.
- The LP gas supply tank must be constructed and marked in accordance with the Specifications for LP gas tanks of the U.S. Department of Transportation (DOT) or the National standard of Canada, CAN/CSA-B339, LP gas tanks, Spheres and Tubes for the Transportation of Dangerous Goods.
- LP gas tank must be arranged for vapor withdrawal.
- The LP gas tank must have a listed overfilling prevention device (OPD) and a QCCI or Type I (CGA810) LP gas tank connection.
- The LP gas tank must have a tank collar to protect the tank valve.
- LP gas cylinder must contain a shut-off valve as specified in the standard for compressed gas cylinder valve outlet and inlet and inlet connection, ANSI/CGA-V-1-1977, CSA B96.
- Never use an LP gas tank with a damaged body, valve, collar, or footing. Dented or rusted LP gas tanks may be hazardous and should be checked by your LP gas supplier prior to use.
- The LP gas tank should not be dropped or handled roughly.
- Tanks must be stored outdoors out of the reach of children. Do NOT store in a building, garage, or any other enclosed area.
- Never store your LP gas tank where temperatures can reach over 125°F.
- Do not store the LP gas cylinder in direct sunlight or near a source of heat or combustion.
- Never keep a filled LP gas tank in a hot car or car trunk. Heat will cause the gas pressure to increase, which may open the relief valve and allow gas to escape.
- Place dust cap on valve outlet whenever the LP gas tank is not in use. Only install the type of dust cap on the LP gas tank valve outlet that is provided with the LP gas tank valve. Other types of caps or plugs may result in leakage of propane.
 - a. Do not store a spare LP gas cylinder under or near this appliance.
 - b. Never fill the LP gas cylinder beyond 80% full.
 - c. If the information in (a) and (b) is not followed exactly, a fire causing death or serious injury may occur.
- The pressure regulator is set for 11 inches of water column (pressure).
- The maximum inlet propane gas pressure for this outdoor fire table is 250 psi.
- The minimum inlet propane gas pressure for this outdoor fire table is 25 psi.
- The maximum inlet natural gas pressure for this outdoor fire table is 10.5 inch w.c.
- The minimum inlet natural gas for this outdoor fire table is 3.5 inch w.c.
- Never attempt to attach this appliance to the self-contained LP gas system of a camper trailer, motor home or house.
- Always use the pressure regulator and hose assembly provided with the appliance to connect to a LP gas cylinder. Never connect to an unregulated LP gas supply. For technical support contact Creative Outdoor Solutions at 866-292-8800.
- Hand turn the manual gas control valve. Never use tools. If the valve will not turn by hand, do not try to repair it. Call a Certified Gas Technician. The use of force or any self attempted repair may result in a fire or explosion.

HOSE & REGULATOR ASSEMBLY AND REPLACEMENT

Connecting your gas cylinder:

Before connection, be sure that there is no debris caught in the head of the gas cylinder, head of the regulator valve or in the head of the burner and burner ports. Connect regulator valve and hand-tighten firmly. Disconnect the propane cylinder from the regulator valve when the fire table is not in use. DO NOT obstruct the flow of combustion air and ventilation air to the burner.

1. This fire table comes equipped with a standard LP gas hose and regulator including the appliance side connection for a CGA No 791 Cylinder Connection Device. The LP gas hose and regulator supplied with this fire table must be used. Only a hose and regulator specified by manufacturer can be used for replacement.

a. The CGA No 791 connection incorporates a magnetic flow limiting device that acts to limit the flow of gas if a leak is detected between the regulator and the burner valve.

b. If the burner valve is open prior to the LP gas cylinder service valve being opened, the connection will interpret this free flow of gas to be a leak.

c. The connection safety feature will reduce gas flow from the regulator to the appliance to a minimal level.

d. Be sure that the burner control valve is closed prior to opening the LP gas cylinder service valve to ensure that the connection flow limiting device is not triggered mistakenly.

e. If the connection flow limiting device is triggered mistakenly, close the LP gas cylinder service valve and the burner valve, wait 10 seconds to allow the device to reset, open the cylinder service valve, then open the burner valve and light the fireplace as per lighting instructions.

2. Be sure to protect the hose from any hot surfaces. Serious danger may result if the hose contacts any hot surface.

3. Regular maintenance of the hose and regulator:

a. Inspect the hose before each use of the fire table. If the hose shows signs of cracks, abrasions, cuts or damage of any kind, do not operate the appliance. Fix or replace the hose as required before using the appliance. For assistance or replacement of the hose, call Creative Outdoor Solutions Corporation at 866-292-8800. Use only replacement parts from the manufacturer.

b. Inspect the seal inside the CGA No 791 service valve on the LP gas cylinder when replacing the cylinder or at least once per year. If there is any indication of damage, have the seal replaced by a certified gas dealer before operating the appliance.

4. Do not use tools to tighten the CGA No 791 connection nut onto the LP gas cylinder service valve. Hand tighten only.

5. Be careful to not cross the threads on the connection when tightening the CGA No 791 connection on to the LP gas cylinder service valve.

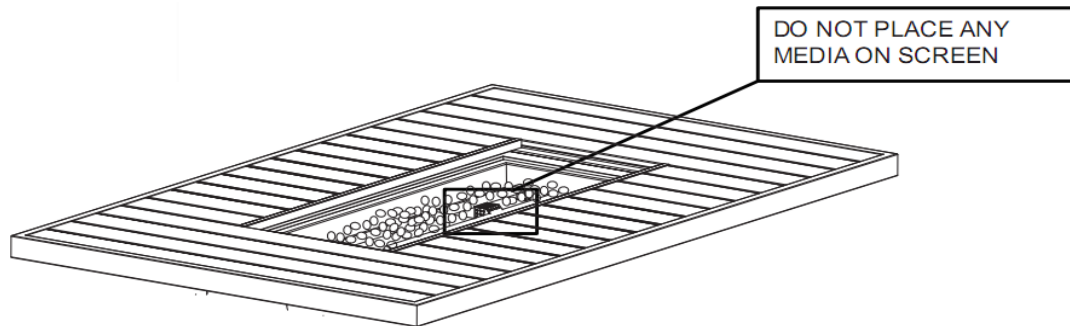
6. "Leak Test" should always be performed after attaching the connection to the LP gas cylinder service valve.

7. For the connection of the hose and regulator to the LP tank, refer to the "Connection" section of the LP gas cylinder section above.

GLASS BEADS, ROCKS AND OTHER MEDIA

Glass Beads Warning:

1. Glass media may have sharp edges. Wear safety glasses and gloves when handling.
2. Do not change or substitute the glass media material provided with this fire pit. If replacing, use only replacement glass media available from your local authorized dealer/distributor.
3. Pour the glass media evenly in to the burner area (with the exception of the screen-if applicable). The glass should be 1/2-1" above the burner.



4. **IMPORTANT:** Do not exceed a height of 1" above the burner when placing glass media. Ensure no media covers the igniter screen. Store any excess media in a safe location.
5. Keep away from the unit for the first 20 minutes after igniting your unit for the first time, as lava rocks/pumice stones/glass shards/glass beads could pop out and cause injury. Should any rocks pop out, discard them.
6. Always ensure that lava rocks/pumice stones/glass shards/glass beads are completely dry before use. Failure to do so will cause them to crack or pop.

Installing LP Gas Tank

To operate, you will need one precision-filled standard grill LP gas tank with external valve threads.

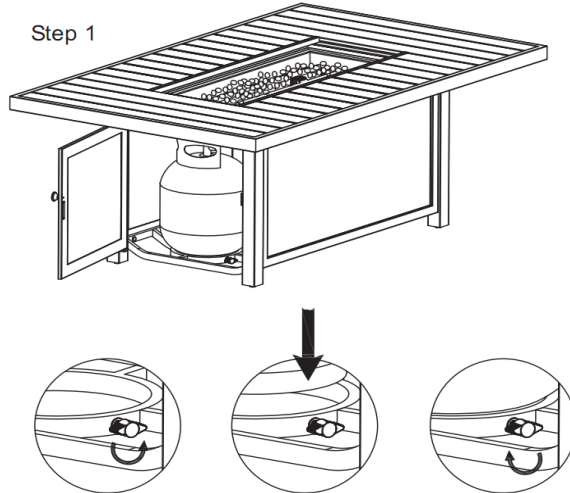
CAUTION: LP gas tank must be properly disconnected and removed prior to moving this outdoor fireplace. **CAUTION:**

Inserting LP Gas Tank

WARNING: Make sure LP gas tank valve is closed. **WARNING:**

1. Loosen LP gas tank retainer bolt by turning counter-clockwise.
2. Place precision-filled LP gas tank upright into hole in outdoor fireplace base so the tank valve is facing the gas line connection.
3. Secure tank by turning LP gas tank retainer bolt clockwise until tight.

Step 1



Operating Instructions

Checking for Leaks

WARNING: Before using this outdoor fireplace, make sure you have read, understand and are following all information provided in the "Important Safety Information" section on page.



Burner Connections

1. Make sure the regulator hose and valve connections are securely fastened to the burner and the tank.
2. Visually check the connection between the burner/venturi tube and orifice.
3. Make sure the burner/venturi tube fits over the orifice.
4. Please refer to diagram for proper installation (Figures 1 and 2).
5. If the burner/venturi tube does not rest flush to the orifice, as shown, please contact 866-292-8800.

WARNING: Failure to inspect this connection instructions or follow these could cause a fire or an explosion which can cause death, serious bodily injury or damage to property.



Tank/Gas Line Connection

1. Make 2-3 oz . of leak detection solution by mixing one part liquid dishwashing soap with three parts water.
2. Make sure control knobs are in the "OFF" position (Figure 3).
3. Connect LP gas tank per "Installing LP Gas Tank" section.
4. Turn LP gas tank valve to "OPEN".
5. Spoon several drops of solution or use a squirt bottle, at all "X" locations (Figures 1 and 2).
 - a. If any bubbles appear, turn LP gas tank valve to "CLOSED", reconnect and re-test.
 - b. If you continue to see bubbles after several attempts turn LP gas tank valve to "CLOSED" and disconnect LP gas tank, per "Disconnecting LP Gas Tank". Contact 866-292-8800 for assistance.
 - c. If no bubbles appear after one minute, turn LP gas tank valve to "CLOSED", wipe away solution proceed.

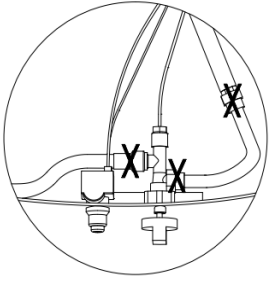


FIGURE 1

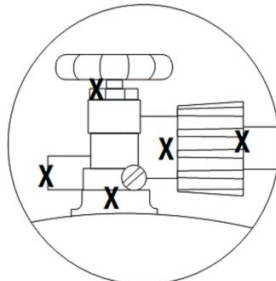


FIGURE 2

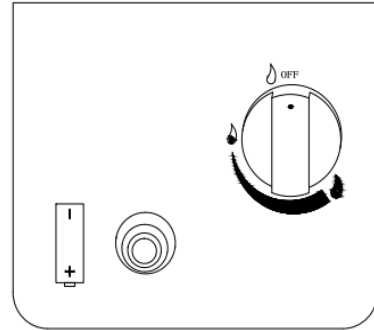
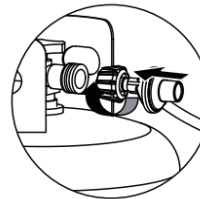


FIGURE 3

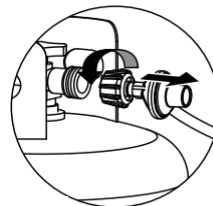
Connecting LP Gas Tank

1. Before connecting be sure there is no debris caught in the head of the LP gas tank head of the regulator valve or in the head of the burner or burner ports.
2. Connect regulator/hose assembly to tank by turning knob clockwise until it stops.



Disconnecting LP Gas Tank

1. Before disconnecting make sure the LP gas tank valve is "CLOSED".
2. Disconnect regulator/hose assembly from LP gas tank by turning knob counterclockwise until it is loose.
3. Place the protective cap cover on the LP tank and store the tank outdoors in a well ventilated area out of direct sunlight. .



Lighting

CAUTION: LP gas tank must be properly disconnected and removed prior to moving this fire table.

1. Make sure all labels, packaging and protective films have been removed from the outdoor fireplace.
2. Check for obstructions of airflow to the burner. Spiders, insects and webs can clog the burner/venturi tube. A clogged burner tube can lead to a fire.
3. Control knob must be in the " OFF" position (Figure 3).
4. Clear small area of glass rocks away from the igniter cover (Figure 4).
5. Connect LP gas tank per "Installing LP Gas Tank" section.
6. Turn LP gas tank valve to "OPEN".
7. Push and hold the electronic igniter to create sparks within the electrode, continue to hold.
8. Push in the control knob and turn to the "ON" position, Keep holding down the control knob to allow gas to flow for 20 seconds.
9. After 20 seconds, release and turn control knob counterclockwise to adjust flame to desired height.
10. If ignition does not occur in 20 seconds turn burner control knob to " OFF" wait 5 minutes, fan with a newspaper or magazine, and repeat lighting procedure.
11. Remove cover and lid from outdoor fireplace before lighting.

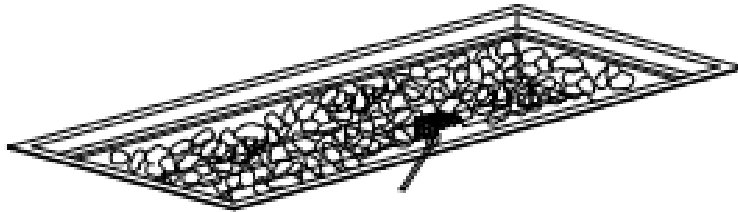


FIGURE 4

12. If igniter does not light burner: :
 - a. Wearing heat-resistant gloves, position a long lit match or long lit butane lighter near the pilot housing.
 - b. Push and turn control knob to "ON "
 - c. Remove match/lighter once burner is lit.

CAUTION: After lighting - using a fireplace tool and heat-resistant gloves, carefully move the glass beads back to their proper position, being careful to avoid the flame.

13. After lighting, observe the burner flame make sure all burner ports are lit and flame height matches illustration.
CAUTION: If ignition does not occur in 5 seconds, turn control knob to " OFF", wait 5 minutes, fan with a newspaper or magazine and repeat lighting procedure.

Turning off Unit

1. Turn LP gas tank valve to “CLOSED”.
2. Turn control knob to the “OFF” position. Note: A “poof” sound is normal as the last of the LP gas is burned.
3. Disconnect LP gas tank per “Disconnecting LP Gas Tank” section.

Cleaning and Care of Unit

CAUTION:

1. All cleaning and maintenance should be done when outdoor fireplace is cool and with the fuel supply disconnected.
2. Do not clean any outdoor fireplace part in a self-cleaning oven, the extreme heat will damage the finish.
3. Do not enlarge valve orifices or burner ports when cleaning the valves or burners.

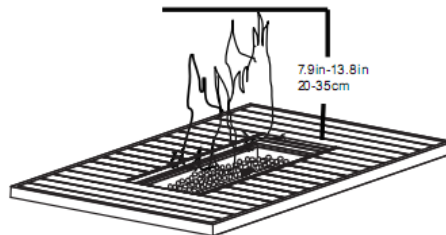
Notices

1. This outdoor fireplace should be thoroughly cleaned and inspected on a regular basis.
2. Abrasive cleaners will damage this product.
3. NEVER use oven cleaner to clean any part of this outdoor fireplace.

Before Each Use:

1. Keep the outdoor fireplace area clear and free from any combustible materials, gasoline and other flammable vapors and liquids.
2. Do not obstruct the flow of the combustion of LP gas and the ventilation of air.
3. Keep the ventilation opening(s) of the LP gas tank area free and clear from debris.
4. Visually check the burner flames to make sure your outdoor fireplace is working properly (Figure 5).
5. See below for proper cleaning instructions.
6. Check all gas connections for leaks.
7. Check components for any signs of damage or rust.
8. Check for obstructions of airflow to the burner. Spiders, insects and webs can clog the burner/venturi tube. A clogged burner/venturi tube can lead to a fire.
9. If damage to any component is detected, do NOT operate until repairs are completed.

Figure 5



Cleaning Surfaces

1. Wipe surfaces clean with mild dishwashing detergent or baking soda mixed with water.
2. For stubborn stains, use a citrus-based cleaner and a nylon scrubbing brush.
3. Rinse clean with water.
4. Allow to air dry.

Before Storing

1. Turn LP gas tank valve to “CLOSED”.
2. Turn control knob to the “OFF” position. Note: A “poof” sound is normal as the last of the gas is burned.
3. Disconnect LP gas tank per “Disconnecting LP Gas Tank” section.
4. Clean all surfaces.
5. Lightly coat the burner with cooking oil to prevent excess rusting.

CAUTION: NEVER place cover on hot outdoor fireplace.

Cleaning and Care of Unit (cont.)

Cleaning your fire table top on a consistent and regular basis will help aid in a longer lasting top.

Cover your fire table with the included cover when not in use to protect it from the elements.

We recommend that your fire table be stored indoors during the winter months.

If it must be stored outside, it should ALWAYS be covered.

Product Registration

For faster warranty service, please register your product immediately.

To register go to www.creativeoutdoorsolutionscorp.com or call 866-292-8800.

Replacement Parts

For replacement parts, visit parts. www.creativeoutdoorsolutioncorp.com or call 866-292-8800.

ONE-YEAR LIMITED WARRANTY

We warrant to the original end user purchaser that all aspects of this product will be free of defects in material and workmanship for one (1) year from the date of purchase. If within the stated warranty period a product is found to be defective in material or workmanship, the purchaser must contact the manufacturer's customer service department at a. The manufacturer, at its option, will repair or replace the defective parts. Replacements for any defective part will be supplied free of charge for installation by the consumer. This warranty shall be effective from the date of purchase as shown in the purchaser's receipt. This warranty is valid for the original end user purchaser only and excludes coverage for industrial, commercial or business use of the product, product damage due to shipment or failure which results from alteration, product abuse or product misuse. We will not be responsible for labor charges and/or damage incurred in installation, repair or replacement, or for any special, incidental or consequential damages, including, but not limited to, loss of use, loss of revenue, loss of actual or anticipated profits.

This warranty does not apply: (a) to consumable parts, such as batteries or protective coatings that are designed to diminish over time, unless failure has occurred due to a defect in materials or workmanship; (b) to cosmetic damage, including but not limited to scratches, dents and broken materials unless failure has occurred due to a defect in materials or workmanship; (c) to damage caused by use with a third party component or product that does not meet the manufacturer's product specifications; (d) to damage caused by accident, abuse, or misuse; (e) to damage caused by operating the product contrary to the published user manual(s); or (f) to a product that has been modified to alter functionality or capability.

This warranty gives you specific legal rights, and you may also have the other rights that vary from state to state. As some states do not allow exclusions or limitations on an implied warranty, the above exclusions and limitations may not apply.

Troubleshooting

Problem	Possible Cause	Prevention/Cure
Burner will not light using igniter	LP gas tank valve is closed	Make sure regulator is securely attached to the LP gas tank per "Installing"
	LP gas tank is low or empty	Exchange, refill or replace LP gas tank
	LP gas leak	1. Turn LP gas tank valve to "CLOSED" 2. Wait 5 minutes for gas to clear
	Battery needs to be changed	Replace the battery
	Electrode and burners are wet	Wipe dry with cloth
	Electrode cracked or broken - sparks at crack	Replacement part(s) may be needed - contact Customer Care at 866-292-8800
	Wire loose or disconnected	Reconnect wire or replacement part(s) may be needed - contact Customer Care at 866-292-8800
	Wire is shorting (sparking) between igniter and electrode	Replacement part(s) may be needed - contact Customer Care at 866-292-8800
Bad igniter	Replacement part(s) may be needed - contact Customer Care at 866-292-8800	
Burner will not light with match	No gas flow	Check if LP gas tank is empty a. If empty, exchange, refill or replace LP gas tank b. If LP gas tank is not empty, refer to "Sudden drop in gas flow or
	LP gas tank is low or empty	Exchange, refill or replace LP gas tank
	LP gas leak	1. Turn LP gas tank valve to "CLOSED" 2. Wait 5 minutes for gas to clear 3. Follow "Checking for Leaks" section
	Coupling nut and regulator not fully connected	Turn the coupling nut about one-half to three-quarters additional turn until solid stop. Tighten by hand only - do NOT use tools
	Obstruction of gas flow	1. Clear burner/venturi tube 2. Check for bent or kinked hose
	Disengagement of burner to valve	Re-engage burner and valve
	Spider webs or insect nest in burner/venturi tube	Clean burner/venturi tube
	Burner ports clogged or blocked	Clean burner ports

Troubleshooting (CONT.)

Problem	Possible Cause	Prevention/Cure
Sudden drop in gas flow or reduced flame height	Out of gas	Exchange, refill or replace LP gas tank
	Overfilling prevention device may have been activated	1. Turn control knob to "OFF" 2. Wait 30 seconds and light outdoor fireplace per "Lighting" section 3. If flames are still too low, reset the overfilling prevention device: a. Turn control knob(s) "OFF" b. Turn LP gas tank valve to "CLOSED" c. Disconnect regulator d. Turn control knobs to "ON"
Irregular flame pattern flame does not run the full length of burner	Burner ports are clogged or blocked	Clean burner ports
Flame is yellow or orange	New burner may have residual manufacturing oils	Burn outdoor fireplace for 15 minutes and re-inspect
	Spider webs or insect nest in burner/venturi tube	Clean burner/venturi tube
	Poor alignment of valve to burner/venturi tube	Ensure burner/venturi tube is properly engaged with valve
Flame goes out	High or gusting winds	Do not use outdoor fireplace in high winds
	Low on LP gas	Exchange, refill or replace LP gas tank
	Excess flow valve tripped	Refer to "Sudden drop in gas flow or reduced flame height"

Troubleshooting (CONT.)

Problem	Possible Cause	Prevention/Cure
Flashback (fire in venturi/burner tube(s))	Burner and/or burner/venturi tube is blocked	Clean burner and/or burner/venturi tube
Flame seems to lose heat when burning in cold weather - temperature below 50°F	Ice has built up on the outside of the LP gas tank because the vaporization process is too slow.	<ol style="list-style-type: none">1. Turn off per "Turning Off" section2. Replace with a spare LP gas tank3. Reconnect LP gas tank per "Installing LP Gas Tank" section4. Follow "Checking for Leaks" section5. Light outdoor fireplace per "Lighting" section