








**SAVE THESE INSTRUCTIONS**  
**RIDGE CREST FARMHOUSE ROCKER**  
**ASSEMBLE ON A FLAT, PROTECTED SURFACE.**

PART LIST	FIGURE	QUANTITY	DESCRIPTION
A		1 PC	LEFT ARM
B		1 PC	RIGHT ARM
C		1 PC	SEAT
D		1 PC	SUPPORT TUBE
E		8+1 PC	SMALL BOLT AND WASHER
F		2+1 PC	LARGE BOLT AND WASHER
G		1 PC	ALLEN WRENCH

FOR MISSING OR INCORRECT PARTS/HARDWARE, CONTACT THE MANUFACTURER'S CUSTOMER SERVICE DIRECTLY AT  
1-866-905-4107 OR [WWW.YOTRIOINT.COM](http://WWW.YOTRIOINT.COM)  
REFER TO LAST PAGE FOR ADDITIONAL CUSTOMER SERVICE DETAILS.

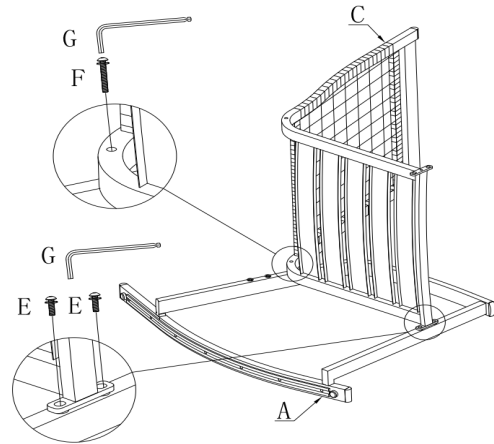
## RIDGE CREST FARMHOUSE ROCKER (CONTINUED)

### STEP 1

A. PLACE LEFT ARM (A) ON ITS SIDE, ON A FLAT, PROTECTED SURFACE.

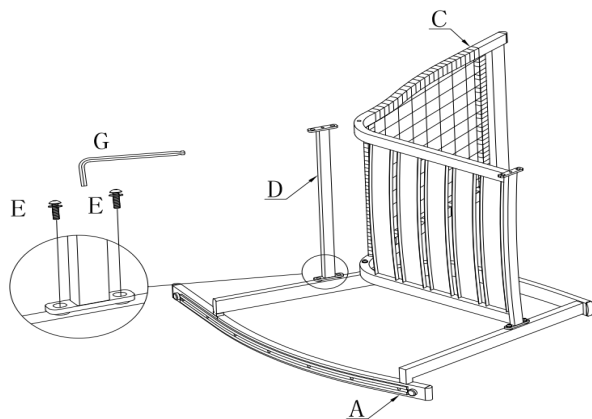
B. ALIGN SEAT (C) WITH LEFT ARM (A) WITH SHORT END TOWARD STRAIGHT LEGS OF LEFT ARM (A).

C. CONNECT SEAT (C) TO LEFT ARM (A) WITH LARGE BOLT AND WASHER (F) AT THE BEND OF SEAT USING ALLEN WRENCH (G). CONNECT SEAT (C) TO LEFT ARM (A) AT SEAT FRONT WITH SMALL BOLT AND WASHER (E) USING ALLEN WRENCH (G).



### STEP 2

A. CONNECT SUPPORT TUBE (D) TO LEFT ARM (A) WITH SMALL BOLT AND WASHER (E) USING ALLEN WRENCH (G).



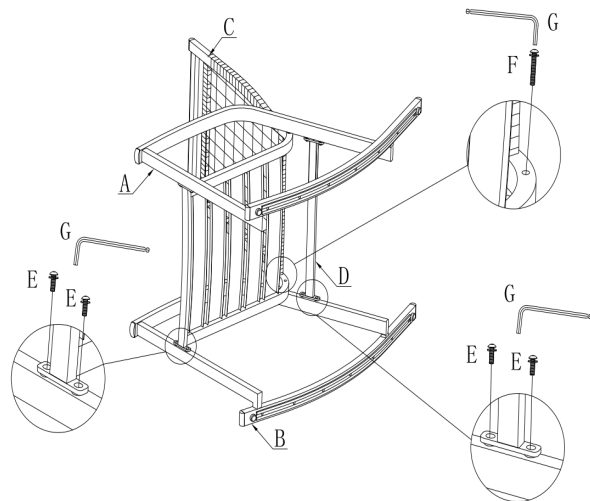
### STEP 3

A. PLACE RIGHT ARM (B) ON A FLAT, PROTECTED SURFACE. PLACE THE PARTIALLY ASSEMBLED UNIT ON THE RIGHT ARM (B). ALIGN BOLT HOLES ON SEAT (C) AND SUPPORT TUBE (D) WITH BOLT HOLES ON RIGHT ARM (B).

B. CONNECT SEAT (C) TO RIGHT ARM (B) WITH LARGE BOLT AND WASHER (F) AT THE BEND OF SEAT USING ALLEN WRENCH (G).

C. CONNECT SEAT (C) TO RIGHT ARM (B) AT SEAT FRONT WITH SMALL BOLT AND WASHER (E) USING ALLEN WRENCH (G).

D. CONNECT SUPPORT TUBE (D) TO RIGHT ARM (B) USING SMALL BOLT AND WASHER (E) USING ALLEN WRENCH (G).



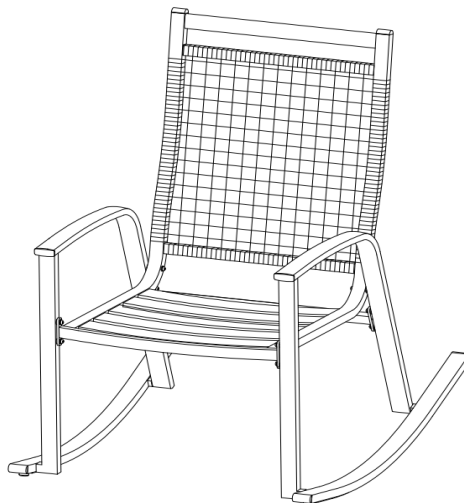
## RIDGE CREST FARMHOUSE ROCKER (CONTINUED)

### STEP 4

A. ROTATE CHAIR TO THE UPRIGHT POSITION.

B. TIGHTEN ALL BOLTS COMPLETELY USING ALLEN WRENCH (G).

C. ASSEMBLY IS COMPLETE.



\*\* WE RECOMMEND THAT YOU SAVE THE ALLEN WRENCH (G) AND PERIODICALLY TIGHTEN ALL BOLTS.

### WEIGHT LIMIT

300 LBS

### CARE AND CLEANING

IN ORDER TO PROLONG THE LIFE OF YOUR ROCKING CHAIR, PLEASE STORE IN DRY SHELTERED PLACE WHEN NOT IN USE OR DURING INCLEMENT WEATHER.

### WARRANTY

CUSTOMER SERVICE: PLEASE NOTE - DO NOT RETURN THIS ITEM TO THE RETAILER.

CUSTOMER SERVICE HOT LINE: 1-866-905-4107

SERVICE HOURS: 11:30 A. M. to 8:00 P. M. EASTERN STANDARD TIME /8:30 A. M. to 5:00 P. M. PACIFIC STANDARD TIME

WEBSITE: [WWW.YOTRIOINT.COM](http://WWW.YOTRIOINT.COM)

TO ASSIST YOU BETTER, PLEASE GATHER THE FOLLOWING INFORMATION BEFORE CALLING CUSTOMER SERVICE: PRODUCT NAME AND STYLE NUMBER, DESCRIPTION AND OR IMAGES OF THE ISSUE, ORIGINAL STORE PURCHASE RECEIPT.