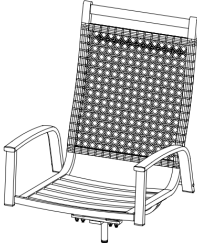
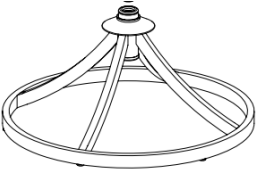


SAVE THESE INSTRUCTIONS
RIDGE CREST FARMHOUSE SWIVEL CHAIR
ASSEMBLE ON A FLAT, PROTECTED SURFACE.

PART LIST	FIGURE	QUANTITY	DESCRIPTION
A		1 PC	CHAIR
B		1 PC	BASE

FOR MISSING OR INCORRECT PARTS/HARDWARE, CONTACT THE MANUFACTURER'S CUSTOMER SERVICE DIRECTLY AT
1-866-905-4107 OR WWW.YOTRIQINT.COM
REFER TO LAST PAGE FOR ADDITIONAL CUSTOMER SERVICE DETAILS.

RIDGE CREST FARMHOUSE SWIVEL CHAIR (CONTINUED)

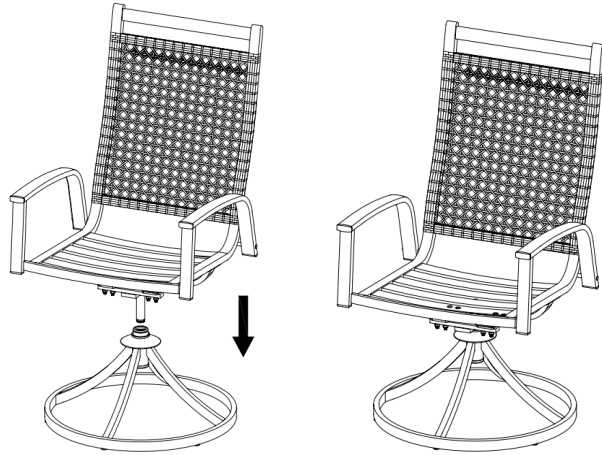
STEP 1

A. PLACE THE CHAIR BASE (B) ON A FLAT, PROTECTED SURFACE.

B. INSERT THE CHAIR (A) INTO THE CHAIR BASE (B).

C. PUSH DOWN FIRMLY UNTIL CHAIR (A) IS LOCKED INTO POSITION.

D. ASSEMBLY IS COMPLETE.



WEIGHT LIMIT

250 LBS

CARE AND CLEANING

FRAME: WIPE CLEAN WITH A MILD SOAP AND WATER SOLUTION, RINSE WITH CLEAN WATER, AND DRY THOROUGHLY. DO NOT STAND OR CLIMB ON CHAIR.

IN ORDER TO PROLONG THE LIFE OF YOUR CHAIR, PLEASE STORE IN DRY SHELTERED PLACE WHEN NOT IN USE OR DURING INCLEMENT WEATHER.

WARRANTY

1 YEAR LIMITED WARRANTY FOR FRAME.

CUSTOMER SERVICE: PLEASE NOTE - DO NOT RETURN THIS ITEM TO THE RETAILER.

CUSTOMER SERVICE HOT LINE: 1-866-905-4107

SERVICE HOURS: 11:30 A. M. to 8:00 P. M. EASTERN STANDARD TIME /8:30 A. M. to 5:00 P. M. PACIFIC STANDARD TIME

WEBSITE: WWW.YOTRIOINT.COM

TO ASSIST YOU BETTER, PLEASE GATHER THE FOLLOWING INFORMATION BEFORE CALLING CUSTOMER SERVICE: PRODUCT NAME AND STYLE NUMBER, DESCRIPTION AND OR IMAGES OF THE ISSUE, ORIGINAL STORE PURCHASE RECEIPT.