










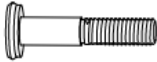





**SAVE THESE INSTRUCTIONS**  
**SONOMA CORONADO GLIDER ASSEMBLY INSTRUCTIONS**  
**ASSEMBLE ON A FLAT, PROTECTED SURFACE.**

PART LIST	FIGURE	QUANTITY	DESCRIPTION
A		1 PC	RIGHT ARM
B		1 PC	LEFT ARM
C		1 PC	BACK
D		1 PC	SEAT
E		1 PC	RIGHT LEG
F		1 PC	LEFT LEG
G		2 PCS	LEG SUPPORT
H		2 PCS	GLIDER
I		8 PCS + 1 PC	SHORT BOLT (M6*15MM)
J		6 PCS + 1 PC	MEDIUM BOLT (M6*30MM)

K		2 PCS + 1 PC	LONG BOLT (M6*40MM)
L		8 PCS + 1 PC	BOLT (M6*18MM)
M		8 PCS + 1 PC	PLASTIC WASHER
N		8 PCS + 1 PC	WASHER
O		1 PC	ALLEN WRENCH

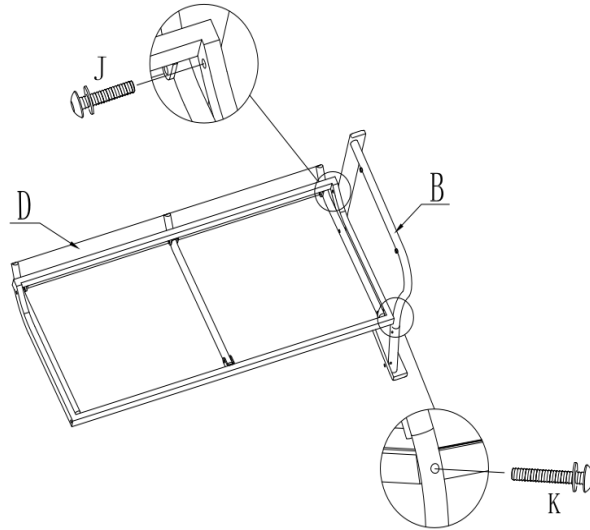
FOR MISSING OR INCORRECT PARTS/HARDWARE, CONTACT THE MANUFACTURER'S CUSTOMER SERVICE DIRECTLY AT  
1-866-905-4107 OR [WWW.YOTRIOINT.COM](http://WWW.YOTRIOINT.COM)  
REFER TO LAST PAGE FOR ADDITIONAL CUSTOMER SERVICE DETAILS.

## ASSEMBLY INSTRUCTIONS (CONTINUED)

### SONOMA CORONADO GLIDER ASSEMBLY INSTRUCTIONS

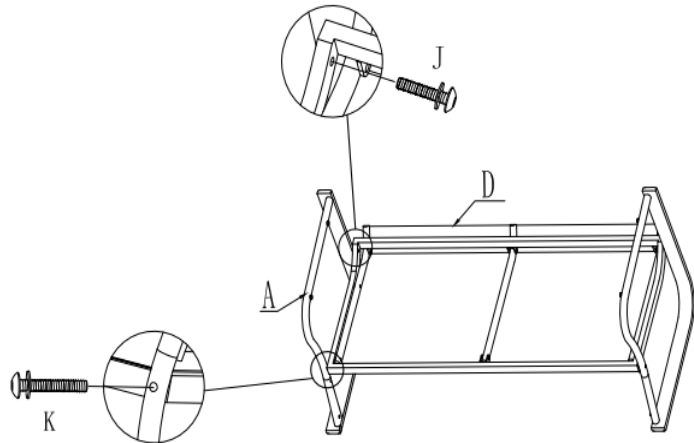
#### STEP 1

- A. PLACE SEAT (D) UPSIDE DOWN ON A FLAT, PROTECTED SURFACE.
- B. PLACE LEFT ARM (B) UPSIDE DOWN. ATTACH FRONT OF LEFT ARM (B) TO THE FRONT LEFT SIDE OF THE SEAT (D) USING MEDIUM BOLTS (J) AND ALLEN WRENCH (O). DO NOT TIGHTEN COMPLETELY.
- C. ATTACH BACK OF LEFT ARM (B) TO THE BACK LEFT SIDE OF THE SEAT (D) USING LONG BOLTS (K) AND ALLEN WRENCH (O). DO NOT TIGHTEN COMPLETELY.



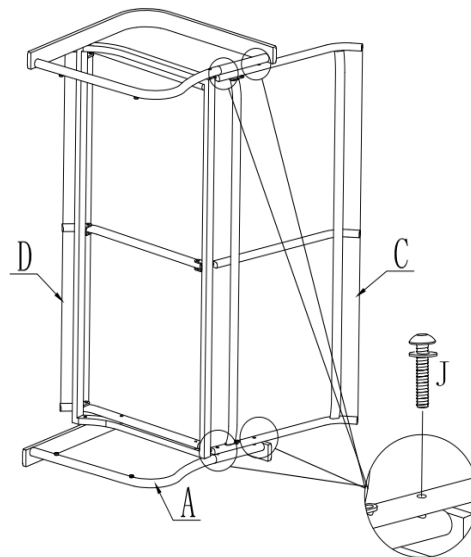
#### STEP 2

- A. PLACE RIGHT ARM (A) UPSIDE DOWN ON THE FLAT, PROTECTED SURFACE.
- B. ATTACH FRONT OF RIGHT ARM (A) TO THE FRONT RIGHT SIDE OF THE SEAT (D) USING MEDIUM BOLTS (J) AND ALLEN WRENCH (O). DO NOT TIGHTEN COMPLETELY.
- C. ATTACH BACK OF RIGHT ARM (A) TO THE BACK RIGHT SIDE OF THE SEAT (D) USING LONG BOLTS (K) AND ALLEN WRENCH (O). DO NOT TIGHTEN COMPLETELY.



#### STEP 3

- A. FLIP ARMS AND SEAT ONTO RIGHT SIDE ON A FLAT, PROTECTED SURFACE.
- B. ATTACH THE BACK (C) TO RIGHT ARM (A) USING MEDIUM BOLTS (J) AND ALLEN WRENCH (O). DO NOT TIGHTEN COMPLETELY.
- C. FLIP ARMS AND SEAT ONTO LEFT SIDE.
- D. ATTACH THE BACK (C) TO LEFT ARM (B) USING MEDIUM BOLTS (J) AND ALLEN WRENCH (O). DO NOT TIGHTEN COMPLETELY.

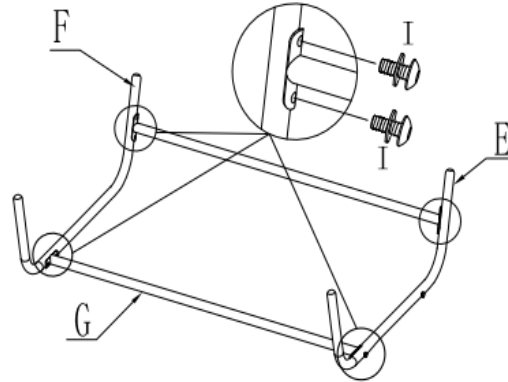


**ASSEMBLY INSTRUCTIONS (CONTINUED)**  
**SONOMA CORONADO GLIDER ASSEMBLY INSTRUCTIONS**

**STEP 4**

A. PLACE THE CHAIR LEGS ON A FLAT, PROTECTED SURFACE.

B. ATTACH THE RIGHT LEGS (E) AND LEFT LEGS (F) TO THE LEG SUPPORTS (G) BY LINING UP THE BOLT HOLES ON THE LEGS WITH CORRESPONDING BOLT HOLES ON THE LEG SUPPORTS (G). ATTACH LEG SUPPORTS USING SHORT BOLT (I) AND ALLEN WRENCH (O). DO NOT TIGHTEN COMPLETELY.

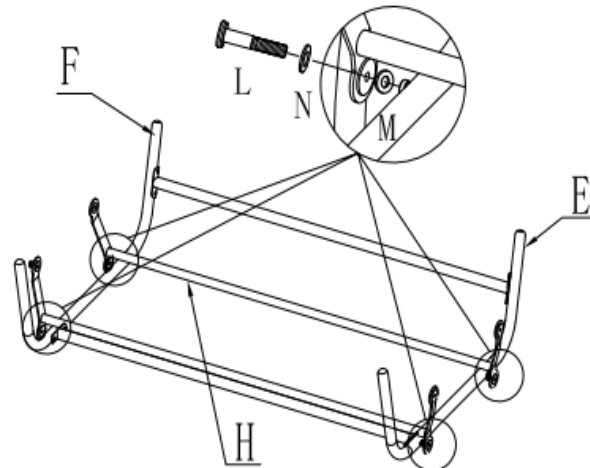


**STEP 5**

A. PLACE THE CHAIR LEGS UPSIDE DOWN ON A FLAT, PROTECTED SURFACE.

B. ATTACH THE SHORT ARMS OF THE GLIDER (H) TO OUTSIDE OF CHAIR LEGS (E & F) LINING UP THE BOLT HOLES ON GLIDER (H) WITH CORRESPONDING BOLT HOLES ON THE LEGS (E & F).

C. ATTACH USING BOLT (L) WITH WASHERS (N & M). USE WASHER (M) BETWEEN SHORT GLIDER ARMS (H) AND CHAIR LEGS (E & F). LOOSELY TIGHTEN WITH ALLEN WRENCH (O)

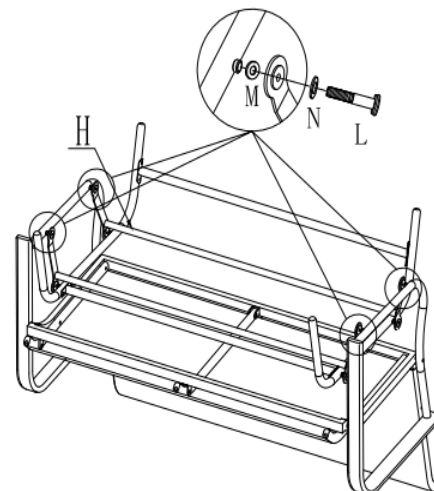


**STEP 6**

A. PLACE THE CHAIR SEAT AND BACK UPSIDE DOWN ON A FLAT, PROTECTED SURFACE.

B. ATTACH LONG ARMS OF GLIDER (H) TO LEFT AND RIGHT ARMS OF CHAIR BASE USING BOLT (L) AND WASHERS (M & N). USE WASHER (M) BETWEEN LONG GLIDER ARMS (H) AND CHAIR LEGS (E & F).

C. TIGHTEN ALL BOLTS WITH ALLEN WRENCH (O).

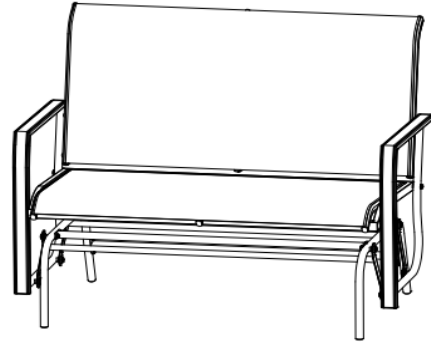


**ASSEMBLY INSTRUCTIONS (CONTINUED)**  
**SONOMA CORONADO GLIDER ASSEMBLY INSTRUCTIONS**

**STEP 7**

A. ROTATE GLIDER TO UPRIGHT POSITION.

B. ASSEMBLY IS COMPLETE.



**\*\* WE RECOMMEND THAT YOU SAVE THE ALLEN WRENCH AND PERIODICALLY TIGHTEN ALL BOLTS.**

**WEIGHT LIMIT**

500 LBS

**CARE AND CLEANING**

FRAME: WIPE CLEAN WITH A MILD SOAP AND WATER SOLUTION, RINSE WITH CLEAN WATER, AND DRY THOROUGHLY.  
DO NOT STAND OR CLIMB ON GLIDER.

IN ORDER TO PROLONG THE LIFE OF YOUR GLIDER, PLEASE STORE IN DRY SHELTERED PLACE WHEN NOT IN USE OR DURING INCLEMENT WEATHER.

**WARRANTY**

1 YEAR LIMITED WARRANTY FOR FRAME.

CUSTOMER SERVICE: PLEASE NOTE - DO NOT RETURN THIS ITEM TO THE RETAILER.

CUSTOMER SERVICE HOT LINE: 1-866-905-4107

SERVICE HOURS: 11:30 A. M. to 8:00 P. M. EASTERN STANDARD TIME /8:30 A. M. to 5:00 P. M. PACIFIC STANDARD

WEBSITE: WWW.YOTRIOINT.COM

TO ASSIST YOU BETTER, PLEASE GATHER THE FOLLOWING INFORMATION BEFORE CALLING CUSTOMER SERVICE:  
PRODUCT NAME AND STYLE NUMBER, DESCRIPTION AND OR IMAGES OF THE ISSUE, ORIGINAL STORE PURCHASE RECEIPT.