









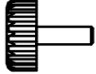





SAVE THESE INSTRUCTIONS

WICKER SWIVEL EGG CHAIR ASSEMBLY INSTRUCTIONS

ASSEMBLE ON A FLAT, PROTECTED SURFACE.

PART LIST	FIGURE	QUANTITY	DESCRIPTION
A		1 PC	BOTTOM FRAME
B		1PC	UPPER FRAME
C		1 PC	BASE
D		4 PC + 1	WASHER
E		4 PC + 1	C-SPRING WASHER
F		4 PC + 1	FLAT WASHER+BOLT M6*30mm
G		3 PC + 1	WASHER+BOLT M6*40mm
H		4 PC + 1	NUT
I		2 PC	WRENCH
J		1 PC	ALLEN WRENCH
K		8 PC	ADJUSTABLE LEVER
L		1 PC	SEAT CUSHION

WICKER SWIVEL EGG CHAIR ASSEMBLY INSTRUCTIONS (CONTINUED)

PART LIST	FIGURE	QUANTITY	DESCRIPTION
M		1 PC	LARGE BACK CUSHION
N		2 PCS	SMALL BACK CUSHIONS

FOR MISSING OR INCORRECT PARTS/HARDWARE, CONTACT THE MANUFACTURER'S CUSTOMER SERVICE DIRECTLY AT
1-866-905-4107 OR WWW.YOTRIOINT.COM
REFER TO LAST PAGE FOR ADDITIONAL CUSTOMER SERVICE DETAILS.

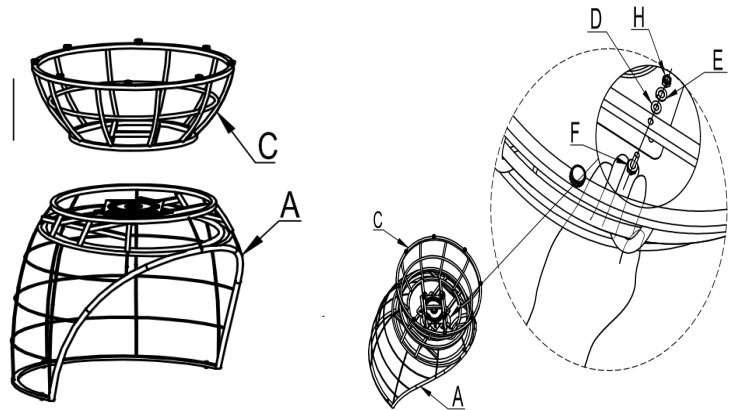
WICKER SWIVEL EGG CHAIR ASSEMBLY INSTRUCTIONS (CONTINUED)

STEP 1

A. PLACE BOTTOM FRAME(A) UPSIDE DOWN ON A FLAT, PROTECTED SURFACE.

B. PLACE BASE (C) UPSIDE DOWN, ON TOP OF BOTTOM FRAME (A).

C. CONNECT BASE (C) AND BOTTOM FRAME (A) WITH FLAT WASHER AND BOLT (F), WASHER (D), C-SPRING WASHER (E) AND NUT (H) AS ILLUSTRATED. INSERT FLAT WASHER AND BOLT (F) FROM BELOW, AND STACK WASHER (D), C-SPRING WASHER (E) ON OTHERSIDE OF ATTACHMENT. SECURE WITH NUT (H). TIGHTEN COMPLETELY.



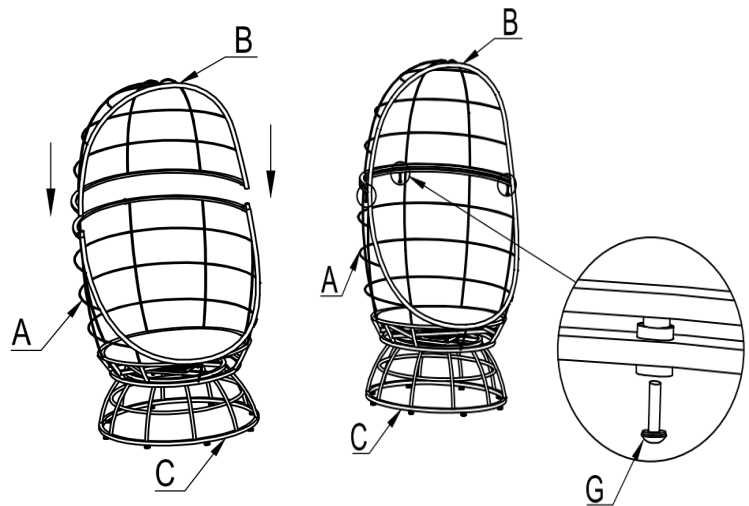
STEP 3

A. ROTATE CHAIR TO UPRIGHT POSITION.

B. PLACE UPPER FRAME (B) ON TOP OF BOTTOM FRAME (A). ALIGN BOLT HOLES.

C. CONNECT UPPER FRAME (B) AND BOTTOM FRAME (A) WITH WASHER AND BOLT (G).

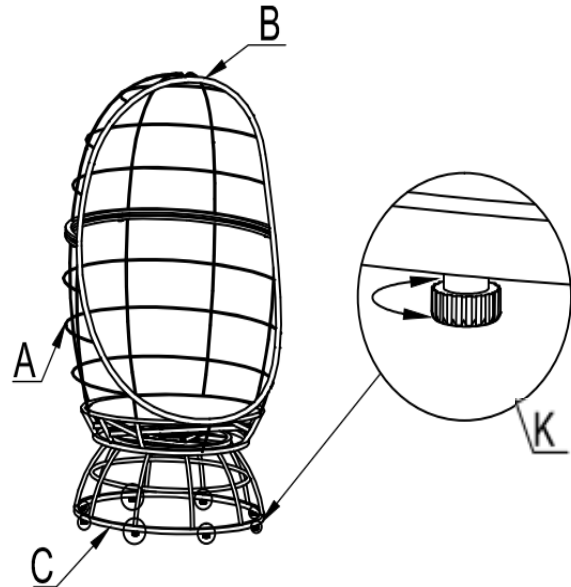
D. TIGHTEN ALL BOLTS COMPLETELY USING ALLEN WRENCH (J).



WICKER SWIVEL EGG CHAIR ASSEMBLY INSTRUCTIONS (CONTINUED)

STEP 5

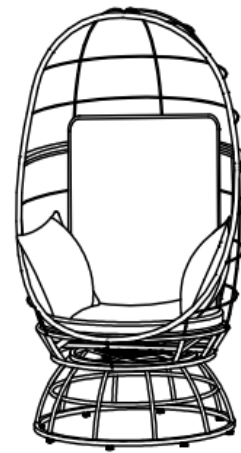
A. ADJUST ALL LEVELERS (K) ON BASE TO ENSURE SEAT IS LEVEL.



STEP 6

A. PUT THE SEAT CUSHION (L), LARGE BACK CUSHION (M) AND SMALL BACK CUSHIONS (N) ON THE EGG CHAIR.

B. ASSEMBLY IS COMPLETE.



** WE RECOMMEND THAT YOU SAVE THE ALLEN WRENCH (G) AND PERIODICALLY TIGHTEN ALL BOLTS.

WEIGHT LIMIT

300 LBS

CARE AND CLEANING

IN ORDER TO PROLONG THE LIFE OF YOUR CHAIR, PLEASE STORE IN DRY SHELTERED PLACE WHEN NOT IN USE OR DURING INCLEMENT WEATHER.

WARRANTY

1 YEAR LIMITED WARRANTY FOR FRAME.

CUSTOMER SERVICE: PLEASE NOTE - DO NOT RETURN THIS ITEM TO THE RETAILER.

CUSTOMER SERVICE HOT LINE: 1-866-905-4107

SERVICE HOURS: 11:30 A. M. to 8:00 P. M. EASTERN STANDARD TIME /8:30 A. M. to 5:00 P. M. PACIFIC STANDARD TIME

WEBSITE: WWW.YOTRIOINT.COM

TO ASSIST YOU BETTER, PLEASE GATHER THE FOLLOWING INFORMATION BEFORE CALLING CUSTOMER SERVICE:

PRODUCT NAME AND STYLE NUMBER, DESCRIPTION AND OR IMAGES OF THE ISSUE, ORIGINAL STORE PURCHASE