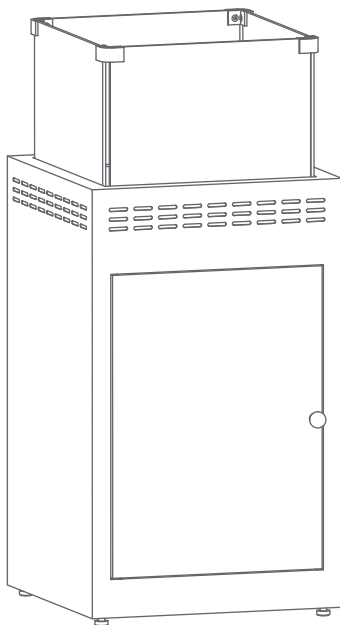


CANVAS^{TM/MC}

WESTMOUNT OUTDOOR FIREPLACE

Product No. 085-1578-8
Model No. FHTS80048C



ASSEMBLY INSTRUCTIONS

Toll-free: 1-888-670-6684

IMPORTANT: Improper installation, adjustment, alteration, service or maintenance can cause injury or property damage. Read the owner's manual thoroughly before installing or servicing this equipment. If the information in this manual is not followed exactly, a fire or explosion may result causing property damage, personal injury or loss of life.

Keep this manual for future reference.



**WARNING**

For your safety: For outdoor use only (outside, non-enclosed area). Do not use for cooking.

**WARNING**

If the information in this manual is not followed exactly, a fire or explosion may result causing property damage, personal injury or loss of life.

**WHAT TO DO IF YOU SMELL GAS**

- **Do NOT try lighting any appliance.**
 - **Do NOT touch any electrical switch.**
 - **Do NOT use any phone in your building.**
 - **Immediately call your gas supplier from a neighbour's phone.**
 - **Follow the gas supplier's instructions.**
 - **If you cannot reach your gas supplier, call the fire department.**
- Installation and service must be performed by a qualified installer, service agency or gas supplier.**

INSTALLER: Leave this manual with the appliance.

CONSUMER: Retain this manual for future reference.

If you are assembling this unit for someone else, give this manual to him or her to read and save for future reference.



WARNING

Improper installation, adjustment, alteration, service or maintenance can cause injury or property damage. Read the installation, operation and maintenance instructions thoroughly before installing or servicing this equipment.



DANGER

If you smell gas:

1. Shut off gas to appliance.
 2. Extinguish any open flame.
 3. If odour continues, keep away from the appliance and immediately call your gas supplier or your fire department.
- Failure to follow these instructions could result in fire or explosion, which could cause property damage, personal injury, or death.



WARNING

For your safety:

1. Do NOT store or use gasoline or other flammable vapours or liquids in the vicinity of this or any other appliance.
2. An LP-cylinder not connected for use shall not be stored in the vicinity of this or any other appliance.



DANGER

Do NOT leave this appliance unattended while it is in operation.

DANGER

CARBON MONOXIDE HAZARD



- This appliance can produce carbon monoxide which has no odour.
- Using it in an enclosed space can kill you.
- Never use this appliance in an enclosed space such as camper, tent, car or home.

Important Safety Information	3
Parts List	14
Assembly Preparations	15
Assembly	16
Operation	22
Cleaning and Maintenance	24
Troubleshooting	28
Specifications	32
Warranty	33

This appliance complies with “ANSI Z21.97-2017/CSA 2.41-2017, Outdoor Decorative Gas Appliances.”



Warning! Please read and understand this entire manual before attempting to assemble, operate or install the product. Failure to follow the dangers, warnings and cautions contained in this instruction manual may result in a fire or explosion causing damage to property, serious bodily injury or death.

IMPORTANT: RETAIN FOR FUTURE REFERENCE, AND READ CAREFULLY.

**WARNING FIRE TABLE IS FOR OUTDOOR USE ONLY**

Installation and repair should be done by a qualified service person. The appliance should be inspected before use and at least annually by a qualified service person. More frequent cleaning may be required as necessary. It is imperative that the control compartment, burners and circulating air passages of the appliance are kept clean.

WARNING

Failure to follow the dangers, warning and cautions in this manual may result in serious bodily injury or death, or in a fire or an explosion causing damage to property.

IMPORTANT NOTICE

Read and understand all warnings and precautions prior to assembly and use of your gas fire table. Improper installation, adjustment, alteration, service or maintenance can cause injury or property damage.

The installation of this unit must adhere to local codes or either the National Fuel Gas Code, ANSI Z223.1/NFPA54, or CAN/CGA-B149.1, Natural Gas and Propane Installation Code.

Minimum Clearance from Unit to Combustible Materials:

61" (155.4 cm) from the top; 48" (121.9 cm) from all sides and back. Do not locate this fire table under any overhead enclosure.

IF YOU SMELL GAS

- Shut off gas supply to the fire table.
- Extinguish any open flame.
- Do not try lighting any appliance.
- Do not touch any electrical switch; do not use any phone in your building.
- Immediately call your gas supplier from a neighbour's phone.
- Follow the gas supplier's instructions.
- If you cannot reach your gas supplier, call the fire department.

Children and adults should be alerted to the hazards of high surface temperatures and be kept at a safe distance while fire table is in use. This outdoor fire table is not to be operated by children. Young children should be closely supervised when in the vicinity of this outdoor fire table. Do not hang or place clothing or other flammable materials on or near the gas fire table. Any guard or protective device removed for servicing the appliance shall be replaced prior to operating the appliance.

- Keep these instructions for future reference. If you are assembling this unit for someone else, give this manual to him or her to read and keep for future reference.

- This gas fire table must be used ONLY outdoors in a well-ventilated space and shall NOT be used inside a building, garage, or any other enclosed area.
- DO NOT use this outdoor gas fire table for indoor heating. TOXIC carbon monoxide fumes can accumulate and cause asphyxiation.
- NEVER LEAVE this gas fire table unattended when in use.
- This unit is to be used with propane gas only! (sold separately)
- Do not attach a remote gas supply to this unit.
- Only use propane gas for this unit.
- Converting this unit to natural gas is dangerous. This conversion kit shall be installed by a qualified service agency in accordance with the manufacturer's instructions and all applicable codes and requirements of the Authority having jurisdiction. The maximum inlet natural gas pressure for this outdoor fire table is 10 1/2" W.C.; the minimum inlet natural gas for this outdoor fire table is 3 1/2" W.C.
- Do not use a flame to check for gas leaks.
- Do not store or use gasoline or other flammable vapours and liquids within 25' (7.62 m) of this or any other appliance.
- Do not store any combustible materials in the base enclosure.
- The use of alcohol, prescription or non-prescription drugs may impair an individual's ability to properly assemble or safely operate this outdoor fire table.
- DO NOT use in an explosive atmosphere. Keep gas fire table area clear and free from combustible materials, gasoline and other flammable vapours and liquids.
- This outdoor fire table is not to be installed or used in or on recreational vehicles and/or boats.
- Always use in accordance with all applicable local, provincial and national codes. Contact your local fire department for details on outdoor burning.



- Use the same precautions you would with any open fire when using this outdoor fire table.
- DO NOT burn solid fuels such as: wood, charcoal briquettes, lump charcoal, manufactured logs, driftwood, trash, leaves, paper, cardboard, plywood, or painted, stained or pressure-treated wood in this outdoor fire table.
- DO NOT paint or colour any part of this heating unit.
- DO NOT use this outdoor fire table until it is COMPLETELY assembled and all parts are securely fastened and tightened.
- DO NOT store another LP gas tank within 10' (3.05 m) of this outdoor fire table while it is in operation.
- DO NOT use this outdoor fire table near automobiles, trucks, vans or recreational vehicles.
- DO NOT use this outdoor fire table under any overhead structure or near any unprotected combustible constructions.
- Avoid using near or under overhanging trees and shrubs.
- Always use this outdoor fire table on a hard, level non-combustible surface such as concrete, rock or stone. An asphalt or blacktop surface may not be acceptable for this purpose.
- DO NOT use this outdoor fire table if any part has been under water. Immediately call a qualified service technician to inspect the fire table and to replace any part or control system and any gas control which has been under water.
- DO NOT set the protective cover over the unit until it is turned off and completely cooled down.
- DO NOT use in windy conditions.
- Keep all electrical cords away from a hot outdoor fire table.
- Certain areas of this outdoor fire table when in use will become too hot to touch. Do not touch hot surfaces until the unit has cooled unless you are wearing protective gear such as insulated pot holders or heat-resistant gloves or mittens to avoid burns.
- DO NOT attempt to move or store this outdoor fire table until all parts are cool.
- DO NOT lean over this outdoor fire table when lighting or when in use.
- Use only the regulator and hose assembly provided. The replacement regulator and hose assembly shall be that specified by the manufacturer.
- DO NOT attempt to disconnect the gas regulator from the tank or any gas fitting while the outdoor fire table is in use.
- Always shut off the supply at the tank valve and disconnect regulator from the tank when the fire table is not in use.
- DO NOT sit on the fire table when the unit is in operation.
- DO NOT throw anything onto the fire when the unit is in operation.

- Lava Rocks are very hot; please keep children or pets at a safe distance.
- It is essential to keep the outdoor fire table valve compartment, burners, and circulating air passages clean. Inspect outdoor fire table before each use.
- Check for leaks after not using the unit for long periods of time.
- Prior to each fire table operation, check the hose for evidence of excessive abrasion or wear by looking through the visual check hole. If the hose is damaged, cracked or cut, it must be replaced before using the gas fire table. The hose assembly can only be replaced with a hose assembly specified by the manufacturer. Please call the service centre at 1-888-670-6684.
- Before each use, remove the lava rocks. Examine the burner and its components. If dirty, clean with a soft brush and soapy water solution. Also examine the area around the burner. Any dirt or foreign material, such as spider webs or nests in this area should be removed. If it is evident that the burner is damaged, the fire table must not be used. The burner assembly can not be replaced. Please contact the service centre at 1-888-670-6684 for technical support.
- Place the hose out of the pathways where people may trip over it (if using external tank). Do not place the hose in areas where it may be subjected to accidental damage.

ATTENTION: Any alteration of the outdoor fire table that is not specifically directed in the operations manual will void manufacturer warranty.

PROPANE (LP) DANGERS AND WARNINGS

LP GAS

LP gas is flammable and hazardous if handled improperly. Become aware of the characteristics before using any LP gas product.

Propane Characteristics:

- Flammable, explosive under pressure, heavier than air and settles in pools in low areas.
- In its natural state, propane has no odour. For your safety, an odourant has been added.
- Contact with propane could burn your skin.
- Propane is extremely flammable and hazardous if handled improperly.

LP GAS WARNINGS:

- Cylinders must be stored outdoors in a well-ventilated area out of reach of children.
- Disconnected cylinders must have threaded valve plugs tightly installed and must not be stored in a building, garage or any other enclosed area.
- Never use a propane cylinder with a damaged body, valve, collar or footing.
- Dented or rusted propane cylinders may be hazardous and should be checked by your propane gas supplier.
- Be sure to use only one 20 lb (9.1 kg) LP gas cylinder with a Type 1 valve with this appliance as required by the American National Standards Institute (ANSI) and the Canadian Standards Steering Committee.
- Only tanks marked “propane” may be used.
- The installation of this unit must adhere to local codes or either the National Fuel Gas Code, ANSI Z223. 1/NFPA54, or CAN/CGA-B149.1, National Gas and Propane Installation Code.
- LP gas tank must be arranged for vapour withdrawal.
- The LP gas tank must have a listed overfilling prevention device (OPD) and a QCCI Type I (CGA810) LP gas tank connection.
- The LP gas tank must have a tank collar to protect the tank valve.
- Never use an LP gas tank with a damaged body, valve, collar, or footing. Dented or rusted LP gas tanks may be hazardous.
- The LP gas tank should not be dropped or handled roughly.
- Tanks must be stored outdoors out of the reach of children. Do NOT store in a building, garage, or any other enclosed area.
- Never store your LP gas tank where temperatures can reach over 125°F (52°C).

- Do not store the LP gas cylinder in direct sunlight or near a source of heat or combustion.
- Never keep a filled LP gas tank in a hot car or car trunk. Heat will cause the gas pressure to increase, which may open the relief valve and allow gas to escape.
- Place dust cap on valve outlet whenever the LP gas tank is not in use. Only install the type of dust cap on the LP gas tank and the LP gas tank valve. Other types of caps or plugs may result in leakage of propane.
 - a. Do not store a spare LP gas cylinder under or near this appliance.
 - b. Never fill the LP gas cylinder beyond 80% full.
 - c. If the information in (a) and (b) is not followed exactly, a fire causing death or serious injury may occur.
- LP gas cylinders should be filled only by a certified LP gas dealer.
- The pressure regulator is set for 11” W.C. (2.74 kPa).
- The maximum inlet propane gas pressure for this outdoor fire table is 250 PSI; the minimum inlet propane gas pressure for this outdoor fire table is 25 PSI.
- Never attempt to attach this appliance to the self-contained LP gas system of a camper trailer, motor home or house.
- Always use the pressure regulator and hose assembly provided with the appliance to connect to a LP gas cylinder. Never connect to an unregulated LP gas supply. For technical support contact the service centre at 1-888-670-6684.
- Hand turn the manual gas control valve. Never use tools. If the valve will not turn by hand, do not try to repair it. Call a certified gas technician. The use of force or any self-attempted repair may result in a fire or explosion.

Connecting your gas cylinder:

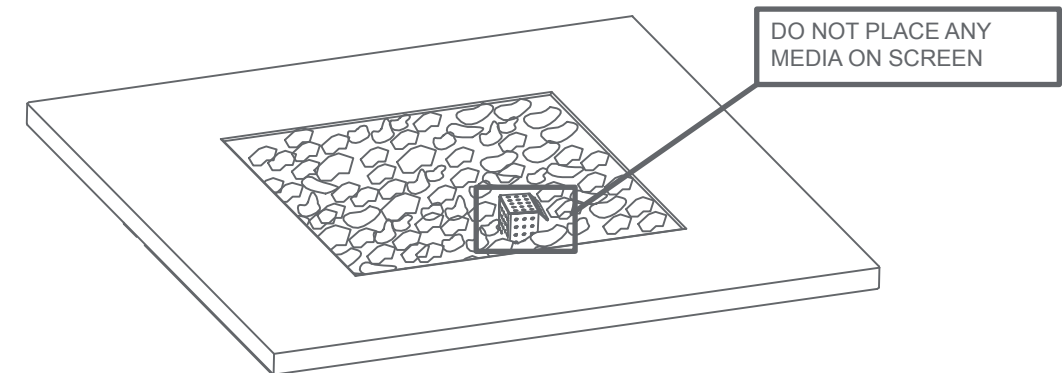
Before connecting, be sure that there is no debris caught in the head of the gas cylinder, head of the regulator valve or in the ports. Connect regulator valve and hand-tighten firmly. Disconnect the propane cylinder from the regulator valve when the fire table is not in use. DO NOT obstruct the flow of combustion air and ventilation air to the burner.

HOSE AND REGULATOR ASSEMBLY AND REPLACEMENT

1. This fire table comes equipped with a standard LP gas hose and regulator including the appliance side connection for a CGA No 791 Cylinder Connection Device. The LP gas hose and regulator supplied with this fire table must be used. Only a hose and regulator specified by manufacturer can be used for replacement.
 - a. The CGA No 791 connection incorporates a magnetic flow limiting device that acts to limit the flow of gas if a leak is detected between the regulator and the burner valve.
 - b. If the burner valve is open prior to the LP gas cylinder service valve being opened, the connection will interpret this free flow of gas to be a leak.
 - c. The connection safety feature will reduce gas flow from the regulator to the appliance to a minimal level.
 - d. Be sure that the burner control valve is closed prior to opening the LP gas cylinder service valve to ensure that the connection flow limiting device is not triggered mistakenly.
 - e. If the connection flow limiting device is triggered mistakenly, close the LP gas cylinder service valve and the burner valve, wait 10 seconds to allow the device to reset, open the cylinder service valve, then open the burner valve and light the fireplace as per lighting instructions.
2. Be sure to protect the hose from any hot surfaces. Serious danger may result if the hose contacts any hot surface.
3. Regular maintenance of the hose and regulator:
 - a. Inspect the hose before each use of the fire table. If the hose shows signs of cracks, abrasions, cuts or damage of any kind, do not operate the appliance. Fix or replace the hose as required before using the appliance. For assistance with repair or replacement of the hose, call the service centre at 1-888-670-6684. Use only replacement parts from the manufacturer.
 - b. Inspect the seal inside the CGA No 791 service valve on the LP gas cylinder when replacing the cylinder or at least once per year. If there is any indication of damage, have the seal replaced by a certified gas dealer before operating the appliance.
4. Do not use tools to tighten the CGA No 791 connection nut onto the LP gas cylinder service valve. Hand tighten only.
5. Be careful to not cross the threads on the connection when tightening the CGA No 791 connection onto the LP gas cylinder service valve.
6. "Leak Test" should always be performed after attaching the connection to the LP gas cylinder service valve. (See "Checking for Leaks" section of this manual on Step 7, Page 19.)
7. For the connection of the hose and regulator to the LP tank, refer to Step 5 on page 18.

LAVA ROCKS WARNING:

1. Lava rocks may have sharp edges. Wear safety glasses and gloves when handling.
2. If changing or substituting the lava rocks with other media, use lava rocks/pumice stones/glass shards/glass beads available from your local authorized dealer/distributor.
3. Pour the lava rocks evenly in to the burner area (with the exception of the screen-if applicable). The lava rocks should be 1/2 to 1" (1.2 to 2.5 cm) above the burner.

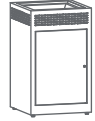


4. **IMPORTANT:** Do not exceed a height of 1" (2.5 cm) above the burner when placing lava rocks or other media. Ensure no media covers the igniter screen. Store any excess lava rocks in a safe location.
5. Keep away from the unit for the first 20 minutes after igniting your unit for the first time, as lava rocks/pumice stones /glass beads could pop out and cause injury. Should any rocks pop out, discard them.
6. Always ensure that lava rocks/pumice stones/glass shards/glass beads are completely dry before use. Failure to do so will cause them to crack or pop.

14 Product No. 085-1578-8 | Model No. FHTS80048C

A

Frame - 1



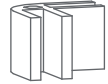
B

Glass - 4



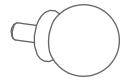
C

Glass Fastener - 4



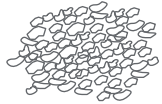
D

Handle - 1



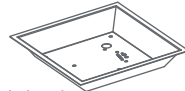
E

Lava Rock - 1 Bag



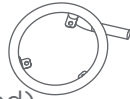
F

Burner Bowl - 1 (pre-assembled)



G

Burner Ring - 1 (pre-assembled)



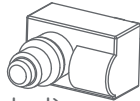
H

Pilot Housing - 1 (pre-assembled)



I

Flame Igniter - 1 (pre-assembled)



J

Switch Knob - 1 (pre-assembled)



K

Regulator/Hose - 1 (pre-assembled)



L

AAA Battery - 1



**FOR EASY ASSEMBLY,
DO NOT COMPLETELY
TIGHTEN BOLTS INTO
THE FRAME UNTIL ALL
BOLTS HAVE BEEN
INSERTED FOR THAT
PHASE OF ASSEMBLY.**

CANVAS^{TM/MC}

15



WARNING! Please read and understand this entire manual before attempting to assemble, operate or install the product. Failure to follow the dangers, warnings and cautions contained in this instruction manual may result in a fire or explosion causing damage to property, serious bodily injury or death.



Let us help you!

DO NOT RETURN YOUR PRODUCT TO THE STORE. CALL US FIRST!

1-888-670-6684

If you have questions regarding your product, require warranty assistance, or have damaged or missing parts, please call our customer service toll-free helpline. Contact us for assistance; we're here to help.

IMPORTANT: Please read and understand this manual before any assembly. Before beginning assembly of product, make sure all parts are present. Compare parts with packaging contents list. If any part is missing, or if you have any questions, contact the service centre at 1-888-670-6684 (toll free).

Place all parts from the box in a cleared area and position them on the floor in front of you. Remove all packing materials and place them back into the box. Do not dispose of the packing materials until assembly is complete. Read each step carefully before beginning any assembly and make sure you understand each step.

Needed for assembly:

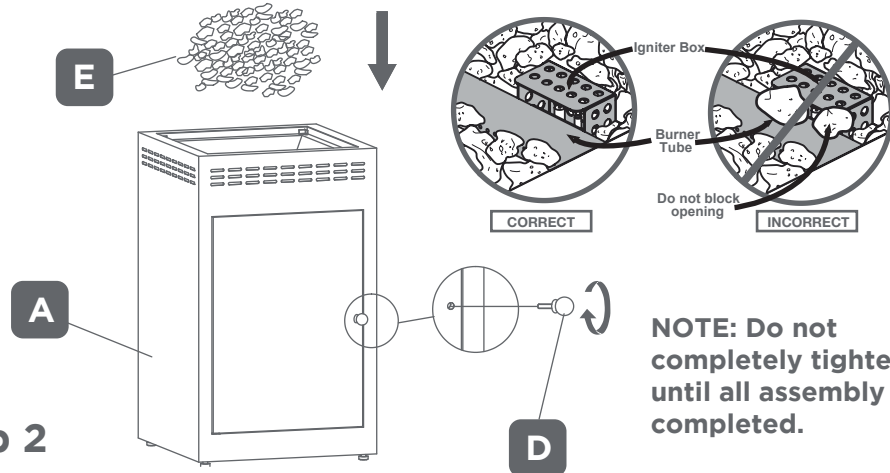


2 people

Step 1

Required Pieces: **A, D, E, F**

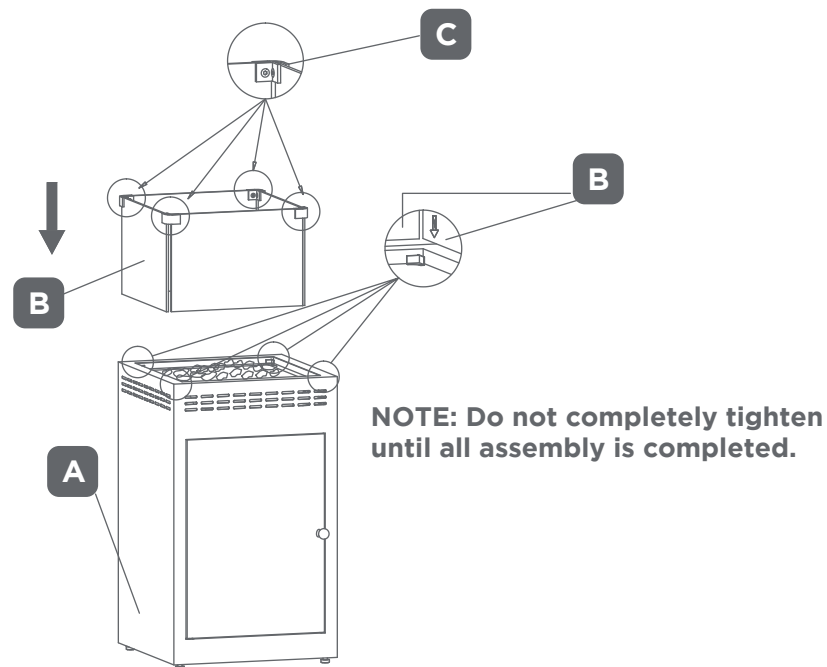
Install handle (D) to frame (A), and tighten by hand. Place the lava rocks (E) into the burner bowl (F).



Step 2

Required Pieces: **A, B, C**

Carefully place the glass (B) into the top of the frame (A). Insert the glass fastener (C) to the corners of the glass and tighten using a screwdriver (not included).

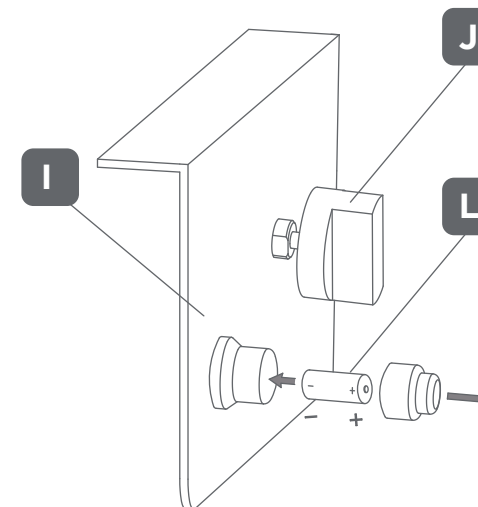


Step 3

Required Pieces: **I, J, L**

Insert the included battery (L) and knob (J) into the electric igniter (I) and twist the button cover onto igniter housing. Do not overtighten.

WARNING: Batteries may contain mercury. Do not put batteries into the fire or trash. Please treat batteries as hazardous waste and recycle properly.



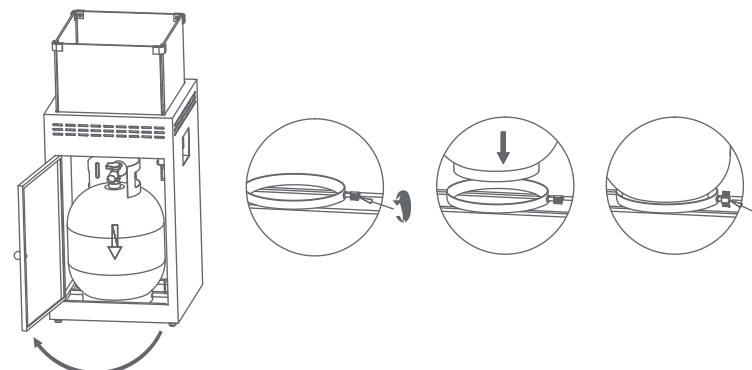
Step 4

Inserting LP gas tank

CAUTION: LP gas tank must be properly disconnected and removed prior to moving this outdoor fireplace.

To operate, you will need one precision-filled standard grill LP gas tank with external valve threads.

1. Loosen LP gas tank retainer bolt by turning counter-clockwise.
2. Place precision-filled LP gas tank upright into hole in outdoor fireplace base so the tank valve is facing the gas line connection.
3. Secure tank by turning LP gas tank retainer bolt clockwise until tight.

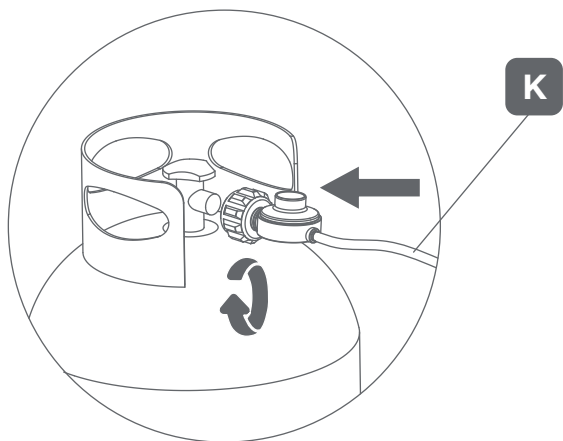


Step 5

Connecting LP Gas Tank

Required Piece: **K**

1. Before connecting, be sure there is no debris caught head of the LP gas tank, head of the regulator valve or in the head of the burner or burner ports.
2. Connect the propane hose assembly to tank by turning knob clockwise until it stops.



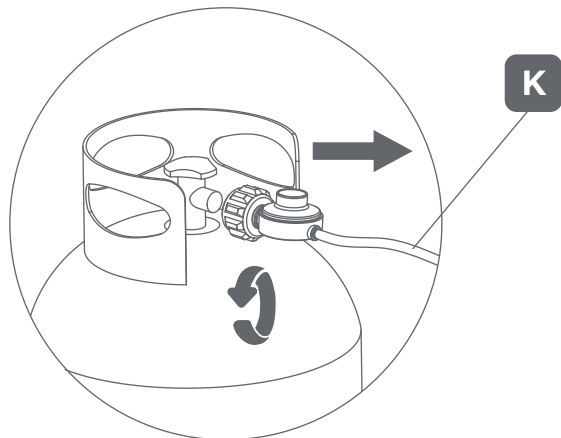
Step 6

Disconnecting LP Gas Tank

Required Piece: **K**

1. Before disconnecting make sure the LP gas tank valve is “CLOSED”.
2. Disconnect regulator/hose assembly from LP gas turning knob counter-clockwise until it is loose.
3. Place the protective cap cover on LP tank and store the tank outdoors in a well-ventilated area out of direct sunlight.

Caution: LP gas tank must be properly disconnected and removed prior to moving this table.



Step 7

Checking for Leaks

WARNING: Before using this outdoor fireplace, make sure you have read, understand and are following all information provided in the “Important Safeguards” section. Failure to follow those instructions can cause death, serious injury or property damage. Failure to inspect this connection or follow these instructions could cause death, serious bodily injury or damage to property.

Checking Burner Connections

1. Make sure the regulator hose and valve connections are securely fastened to the burner and the tank.
2. Visually check the connection between the burner/venturi tube and orifice.
3. Make sure the burner/venturi tube fits over the orifice.
4. Please refer to diagram (figure 1 and 2) for proper installation.
5. If the burner/venturi tube does not rest flush to the orifice, as shown (figure 1 and 2), please contact 1-888-670-6684 for assistance.

Step 8

Leak Test

1. Make 2-3 oz of leak detection solution by mixing one part liquid dishwashing soap with three parts water.
2. Make sure control knobs are in the “OFF” position.
3. Connect LP gas tank per “Installing LP Gas Tank” section.
4. Turn LP gas tank valve to “OPEN”.
5. Spoon several drops of solution, or use a squirt bottle, at all “X” locations (figure 1 and 2).
 - a. If any bubbles appear, turn LP gas tank valve to “CLOSED”, reconnect and re-test.
 - b. If you continue to see bubbles after several attempts turn LP gas tank valve to “CLOSED” and disconnect LP gas tank, per “Disconnecting LP Gas Tank”. Contact 1-888-670-6684 for assistance.
 - c. If no bubbles appear after one minute, turn LP gas tank valve to “CLOSED”, wipe away solution proceed.

WARNING: Failure to inspect this connection or not follow these instructions could cause death, serious bodily injury or damage to property.

Figure 1

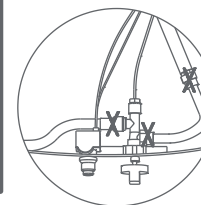
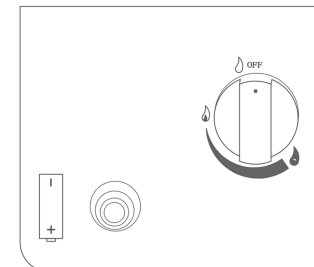
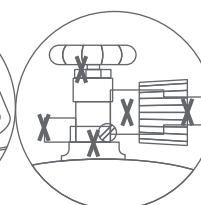
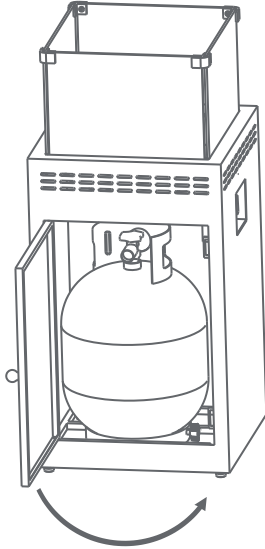


Figure 2



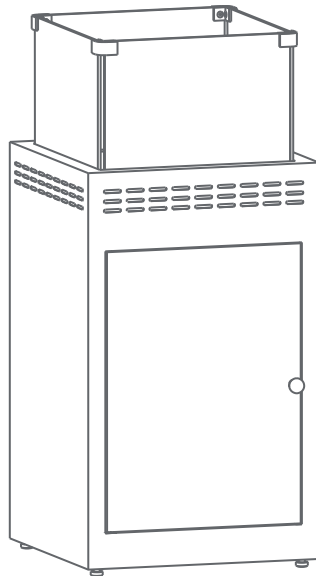
Step 9

Once your propane tank is properly installed close the door on the fire pit.



Step 10

Now the firepit is complete and ready to use.





WARNING: NEVER light the burner with the cover on the outdoor fireplace.



CAUTION: Keep outdoor gas appliance area clear and free from combustible materials, gasoline and other flammable vapours and liquids.



CAUTION: Do NOT obstruct the flow of combustion and ventilation air.



CAUTION: Check and clean burner/venturi tubes for insects and insect nests. A clogged tube can lead to a fire.

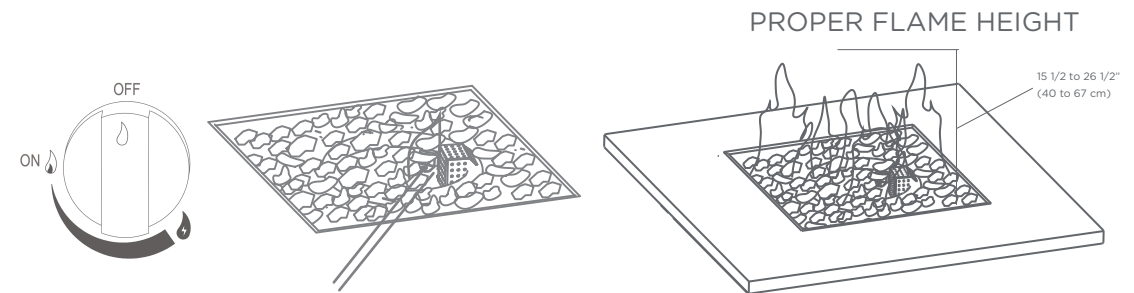
LIGHTING

1. Make sure all labels, packaging and protective films have been removed from the outdoor fireplace.
2. Remove cover and burner lid (if applicable) before operating fireplace. Check for obstructions of airflow to the burner. Spiders, insects and webs can clog the burner/venturi tube. A clogged burner tube can lead to a fire.
3. Control knob must be in the “OFF” position.
4. To ensure proper function, the screen on the pilot housing should not be covered by lava rocks.
5. Connect LP gas tank per “Installing LP Gas Tank” section.
6. Turn LP gas tank valve to “OPEN”.
7. Push and hold the flame ignitor to create sparks within the electrode; continue to hold.

8. Push in the switch knob and turn to the “ON” position. Keep holding down the switch knob to allow gas to flow for 20 seconds.

9. After 20 seconds, release and turn control knob counter-clockwise to adjust flame to desired height.

10. If ignition does not occur in 20 seconds turn burner switch knob to “OFF”, wait five minutes, fan with a newspaper or magazine, and repeat lighting procedure.



11. If igniter does not light burner:
 - a. Wearing heat-resistant gloves, position a long, lit match or long, lit butane lighter near the pilot housing.
 - b. Push and turn control knob to “ON”.
 - c. Remove match/lighter once burner is lit.

CAUTION: After lighting, using a fireplace tool and heat-resistant gloves, carefully move the lava rocks back to their proper position, being careful to avoid the flame.

12. After lighting, observe the burner flame, make sure all burner ports are lit and ensure flame height matches illustration.

CAUTION: If ignition does not occur in 5 seconds, turn control knob to “OFF”, wait 5 minutes, fan with a newspaper or magazine and repeat lighting procedure.

Turning off

1. Turn LP gas tank valve to “CLOSED”.
2. Turn control knob to the “OFF” position. Note: A “poof” sound is normal as the last of the LP gas is burned.
3. Disconnect LP gas tank per Step 6 on page 18.
4. **CAUTION: NEVER place cover on hot outdoor fire place.**

Cleaning and Care**CAUTION:**

1. All cleaning and maintenance should be done when outdoor fireplace is cool and with the fuel supply disconnected.
2. Do not clean any outdoor fireplace part in a self-cleaning oven—the extreme heat will damage the finish.
3. Do not enlarge valve orifices or burner ports when cleaning the valves or burners.

Notices

1. This outdoor fireplace should be thoroughly cleaned and inspected on a regular basis.
2. Abrasive cleaners will damage this product.
3. NEVER use oven cleaner to clean any part of this outdoor fireplace.

Before Each Use

1. Keep the outdoor fireplace area clear and free from any combustible materials, gasoline and other flammable vapours and liquids.
2. Do not obstruct the flow of the combustion of LP gas and the ventilation of air.
3. Keep the ventilation opening(s) of the LP gas tank area free and clear of debris.
4. Visually check the burner flames to make sure your outdoor fire pit is working properly.
5. See below for proper cleaning instructions.
6. Check all gas connections for leaks per Step 7 in Assembly section.
7. Check components for any signs of damage or rust.
8. Check for obstructions of airflow to the burner. Spiders, insects and webs can clog the burner/venturi tube period. A clogged burner/venturi tube can lead to a fire.
9. If damage to any component is detected, do NOT operate until repairs are completed.

Cleaning Surfaces

1. Wipe surfaces clean with mild dishwashing detergent or baking soda mixed with water.
2. For stubborn stains, use a citrus-based cleaner and a nylon scrubbing brush.
3. Rinse clean with water.
4. Allow to air dry.

Before Storing

1. Turn LP gas tank valve to “CLOSED”.
 2. Turn control knob to the “OFF” position. Note: A “poof” sound is normal as the last of the gas is burned.
 3. Disconnect LP gas tank per Step 6 in Assembly section.
 4. Clean all surfaces.
 5. Lightly coat the burner with cooking oil to prevent excess rusting.
- CAUTION:** NEVER place cover on hot outdoor fireplace.
6. If storing the outdoor fireplace indoors, cover the outdoor fireplace and store in a cool, dry location away from children and pets.
 7. If storing the outdoor fireplace outdoors, cover the outdoor fireplace with a protective cover for protection from the weather.

Cover your fire table with a protective cover when not in use to protect it from the elements.

We recommend that your fire table be stored indoors during the winter months. It will protect it from cracking in extreme cold.

If it must be stored outside, it should ALWAYS be covered.

Replacement Parts

For replacement parts, contact the service centre at 1-888-670-6684.

Burner will not light using igniter	LP gas tank valve is closed	Make sure regulator is securely attached to the LP gas tank per “Installing LP Gas Tank,” then turn LP gas tank valve to “OPEN”
	LP gas tank is low or empty	Exchange, refill or replace LP gas tank
	LP gas leak	1. Turn LP gas tank valve to “CLOSED” 2. Wait 5 minutes for gas to clear 3. Follow “Checking for Leaks” section
	Battery needs to be changed	Replace the “AAA” battery (follow assembly step for inserting battery)
	Electrode and burners are wet	Wipe dry with cloth
	Electrode cracked or broken — sparks at crack	Replacement part(s) may be needed — contact Customer Care at 1-888-670-6684
	Wire loose or disconnected	Replacement part(s) may be needed — contact Customer Care at 1-888-670-6684
	Wire is shorting (sparking) between igniter and electrode	Replacement part(s) may be needed — contact Customer Care at 1-888-670-6684
Burner will not light with match	Bad igniter	Replacement part(s) may be needed — contact Customer Care at 1-888-670-6684
	No gas flow	Check if LP gas tank is empty a. If empty, exchange, refill or replace LP gas tank b. If LP gas tank is not empty, refer to “Sudden drop in gas flow or reduced flame height” (see below)
	LP gas tank is low or empty	Exchange, refill or replace LP gas tank
	LP gas leak	1. Turn LP gas tank valve to “CLOSED” 2. Wait 5 minutes for gas to clear 3. Follow “Checking for Leaks” section
	Coupling nut and regulator not fully connected	Turn the coupling nut about one-half to three-quarters additional turn until solid stop. Tighten by hand only — do NOT use tools
	Obstruction of gas flow	1. Clear burner/venturi tube 2. Check for bent or kinked hose
	Disengagement of burner to valve	Re-engage burner and valve
	Spider webs or insect nest in burner/venturi tube	Clean burner/venturi tube
Burner ports clogged or blocked	Clean burner ports	

Sudden drop in gas flow or reduced flame height	Out of gas	Exchange, refill or replace LP gas tank
	Overfilling prevention device may have been activated	<ol style="list-style-type: none"> 1. Turn control knob to “OFF” 2. Wait 30 seconds and light outdoor fireplace per “Lighting” section 3. If flames are still too low, reset the overfilling prevention device: <ol style="list-style-type: none"> a. Turn control knob to “OFF” b. Turn LP gas tank valve to “CLOSED” c. Disconnect regulator d. Turn control knob to “ON” e. Wait one minute f. Turn control knob to “OFF” g. Reconnect regulator and leak check connections, being careful not to fully open valve h. Light outdoor fireplace per “Lighting” section
Irregular flame pattern flame does not run the full length of burner	No gas flow	Exchange, refill or replace LP gas tank
Flame is yellow or orange	New burner may have residual manufacturing oils	Burn outdoor fireplace for 15 minutes and reinspect
	Spider webs or insect nest in burner/venturi tube	Clean burner/venturi tube
	Poor alignment of valve to burner/venturi tube	Ensure burner/venturi tube is properly engaged with valve
Flame goes out	High or gusting winds	Do not use outdoor fireplace in high winds
	Low on LP gas	Exchange, refill or replace LP gas tank
	Excess flow valve tripped	Refer to “Sudden drop in gas flow or reduced flame height”
Flashback (fire in venturi/burner tube(s))	Burner and/or burner/venturi tube is blocked	Clean burner and/or burner/venturi tube
Flame seems to lose heat when burning in cold weather — temperature below 50°F (10°C)	Ice has built up on the outside of the LP gas tank because the vapourization process is too slow	<ol style="list-style-type: none"> 1. Turn off per “Turning Off” section 2. Replace with a spare LP gas tank 3. Reconnect LP gas tank per “Installing LP Gas Tank” section 4. Follow “Checking for Leaks” section 5. Light outdoor fireplace per “Lighting” section

Dimensions (L x W x H)	16 x 16 x 35 1/2"
	40.5 x 40.5 x 90 cm
Product weight	33 lb
	15 kg

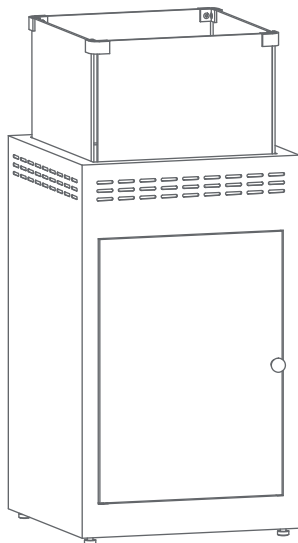
This CANVAS product carries a one (1) year warranty against defects in workmanship and materials. Trileaf Distribution agrees to replace a defective product free of charge within the stated warranty period, when returned by the original purchaser with proof of purchase. This product is not guaranteed against wear or breakage due to misuse and/or abuse.

CANVAS^{TM/MC}

FOYER D'EXTÉRIEUR WESTMOUNT

N° d'article : 085-1578-8

N° de modèle : FHTS80048C



INSTRUCTIONS D'ASSEMBLAGE Numéro sans frais : 1 888 670-6684

IMPORTANT : Une installation, une adaptattion, une altération, une réparation ou un entretien incorrectes peuvent causer des blessures ou des dommages matériels. Veuillez lire ce guide d'utilisation attentivement avant d'installer ou de réparer cet appareil. Si les informations contenues dans ce guide ne sont pas suivies exactement, un incendie ou une explosion peut entraîner en causant des dommages matériels, des blessures, voire la mort.

Gardez ce guide pour référence ultérieure.



**AVERTISSEMENT**

Une installation, un réglage, une modification, une réparation ou un entretien inappropriés peuvent être la cause de blessures ou de dommages.

Veillez lire attentivement les instructions d'installation, d'utilisation et d'entretien avant d'installer ou de réparer cet appareil.

**AVERTISSEMENT**

Respectez scrupuleusement les directives du présent guide pour prévenir les incendies et les explosions pouvant causer des dommages matériels, des lésions corporelles ou la mort.

**QUE FAIRE SI VOUS SENTEZ UNE ODEUR DE GAZ :**

- Ne tentez PAS d'allumer un appareil.
- Ne touchez PAS à un interrupteur; évitez d'utiliser un téléphone dans votre bâtiment.
- Appelez immédiatement votre fournisseur de gaz au moyen du téléphone d'un voisin.
- Suivez les directives du fournisseur de gaz.
- Si vous ne pouvez pas joindre votre fournisseur de gaz, appelez le service d'incendie.

L'installation et l'entretien doivent être effectués par un installateur qualifié, un organisme de service ou un fournisseur de gaz.

Installateur : laissez ce guide avec l'appareil.

Conservez les présentes instructions afin de pouvoir les consulter ultérieurement.

Si vous assemblez l'appareil pour une autre personne, remettez-lui le présent guide pour qu'elle puisse le consulter ultérieurement.



AVERTISSEMENT

Une installation, un réglage, une modification, une utilisation ou un entretien inadéquats peuvent causer des blessures ou des dommages matériels.

Lisez attentivement le mode d'emploi et les instructions sur le fonctionnement et l'entretien avant de procéder à l'installation ou à l'entretien de l'équipement.



DANGER

S'il y a une odeur de gaz :

1. Coupez l'admission de gaz de l'appareil.
2. Éteignez toute flamme nue.
3. Si l'odeur persiste, éloignez-vous de l'appareil et appelez immédiatement le fournisseur de gaz ou le service d'incendie. Tout manquement à suivre ces instructions peut entraîner un incendie ou une explosion qui pourrait causer des dommages matériels, des blessures ou la mort.



AVERTISSEMENT

POUR VOTRE SÉCURITÉ :

1. N'entreposez PAS et n'utilisez PAS d'essence ni tout autre liquide ou vapeur inflammable à proximité de l'appareil ou de tout autre appareil.
2. Aucune bouteille de propane liquide non utilisée ne doit être rangée à proximité de l'appareil ou de tout autre appareil.



DANGER

Ne laissez PAS l'appareil sans surveillance pendant qu'il est en marche.

DANGER



MONOXIDE DE CARBONE

- Ne laissez PAS l'appareil sans surveillance pendant qu'il est en marche.
- L'utilisation de cet appareil dans des espaces clos peut entraîner la mort.
- N'utilisez jamais cet appareil dans un espace clos comme un véhicule de camping, une tente, une automobile ou une maison.

Consignes de sécurité importantes	3
Liste des pièces	16
Assemblage	17
Utilisation	24
Nettoyage et entretien	28
Dépannage	30
Caractéristiques techniques	34
Garantie	35

Cet appareil est conforme aux normes << ANSI Z21.97-2014/CSA 2.41-2014 s'appliquant aux appareils décoratifs au gaz pour l'extérieur >>.



Avertissement! N'essayez pas d'assembler, d'installer ou d'utiliser le produit avant d'avoir lu entièrement le guide et de l'avoir compris. Un manque à respecter les avertissements et mises en garde contenus dans ce guide d'utilisateur peut entraîner un incendie ou une explosion qui pourrait causer des dommages matériels, des blessures graves ou la mort.

IMPORTANT : LISEZ ATTENTIVEMENT CE GUIDE ET CONSERVEZ-LE AUX FINS DE CONSULTATION ULTÉRIEURE.



AVERTISSEMENT : CETTE TABLE À FOYER EST POUR USAGE EXTÉRIEUR SEULEMENT

L'installation et les réparations doivent être effectuées par une personne qualifiée. L'appareil doit être inspecté avant chaque utilisation et au moins une fois par année par une personne qualifiée. Un nettoyage plus fréquent peut être nécessaire. Il est essentiel de toujours garder propres le compartiment de contrôle, les brûleurs et le conduit d'aération de l'appareil.

AVIS IMPORTANT

Veillez lire et comprendre tous les avertissements et les consignes de sécurité avant de procéder à l'assemblage et à l'utilisation de votre table avec foyer au gaz intégré. Une installation, un réglage, une modification, une réparation ou un entretien inadéquats peuvent causer des blessures ou des dommages matériels. L'utilisation et l'installation de cet appareil doivent être conformes aux codes locaux ou à la norme ANSI Z223, 1/NFPA54 National Fuel Gas Code, ou à la norme CAN/CGA-B149.1, Code d'installation du gaz naturel et du propane.

Distance minimale entre l'appareil et les matières combustibles :

61 po (155,4 cm) à partir de la partie supérieure : 48 po (121,9 cm) à partir de tous les côtés et de l'arrière. Ne placez pas le foyer de jardin dans un endroit fermé par le haut.

SI VOUS DÉTECTEZ UNE ODEUR DE GAZ

- Fermez l'alimentation en gaz du foyer de jardin.
- Éteignez toute flamme nue.
- Ne tentez pas d'allumer un appareil.
- Ne touchez pas à un interrupteur électrique; n'utilisez pas de téléphone dans votre bâtiment.
- Appelez immédiatement votre fournisseur de gaz au moyen du téléphone d'un voisin.
- Suivez les directives du fournisseur de gaz.
- Si vous ne pouvez pas joindre votre fournisseur de gaz, appelez le service d'incendie.

Prévenez les enfants et les adultes des risques que représentent les surfaces pouvant atteindre des températures élevées et éloignez-les à une distance sécuritaire lorsque le foyer de jardin fonctionne. Ce foyer d'extérieur doit pas être utilisé par des enfants. Les jeunes enfants doivent être sous surveillance étroite lorsqu'ils sont à proximité du foyer d'extérieur. N'accrochez pas ou ne placez pas de vêtements ni de matières inflammables sur la table avec foyer au gaz intégré. Avant de mettre l'appareil en marche, remplacez l'écran ou tout autre dispositif de protection qui a été retiré lors de l'entretien.

- Veuillez conserver les présentes instructions pour vous y référer ultérieurement. Si vous assemblez l'appareil pour une autre personne, remettez-lui le guide pour qu'elle puisse le consulter ultérieurement.
- La table avec foyer au gaz intégré doit SEULEMENT être utilisée à l'extérieur, dans un endroit bien aéré et ne doit PAS être utilisée dans un bâtiment, un garage ou tout autre espace clos.
- N'utilisez PAS la table avec foyer au gaz intégré pour le chauffage à l'intérieur. Des vapeurs de monoxyde de carbone TOXIQUES peuvent s'accumuler et provoquer l'asphyxie.
- Ne laissez JAMAIS la table avec foyer au gaz intégré en marche sans surveillance.
- L'appareil doit être utilisé avec du gaz propane seulement (vendu séparément).
- Ne branchez pas l'appareil à une source d'alimentation en gaz distante.
- Utilisez uniquement du gaz propane pour l'appareil.
- La conversion de cet appareil au gaz naturel est dangereuse. Cet ensemble de conversion doit être installé par un centre de service qualifié conformément aux instructions du fabricant et à tous les codes et exigences applicables de l'autorité compétente. La pression de gaz naturel maximum à l'entrée pour cette table-foyer extérieure est de 10 1/2 po CE. L'entrée minimum de gaz naturel pour ce foyer extérieure est de 3 1/2 po CE.
- N'utilisez pas une flamme pour vérifier s'il y a des fuites de gaz.
- Ne stockez pas et n'utilisez pas d'essence ni tout autre liquide ou vapeur inflammable à moins de 25 pi (7,62 m) de l'appareil ou de tout autre appareil.
- Ne rangez pas une matière combustible dans le boîtier inférieur.
- L'alcool, les médicaments sous ordonnance et les médicaments vendus sans ordonnance peuvent affecter les facultés d'une personne, l'empêchant d'assembler cette table avec foyer au gaz intégré correctement ou de l'utiliser de manière sécuritaire.
- N'utilisez PAS l'appareil dans un endroit présentant un risque d'explosion. Assurez-vous que la zone autour de la table avec foyer au gaz intégré est propre et dégagée de toute matière combustible, d'essence et de tout autre liquide ou vapeur inflammable.
- Le foyer d'extérieur n'est pas conçu pour être installé ou utilisé dans un véhicule récréatif ou sur un bateau.
- Utilisez toujours l'appareil conformément à tous les codes locaux, provinciaux et nationaux. Communiquez avec votre service d'incendie local pour obtenir des précisions concernant les feux à l'extérieur.



- Utilisez les mêmes précautions que pour tout feu ouvert lors de l'utilisation de ce foyer d'extérieur.
- Ne brûlez PAS des combustibles solides tels que: bois, briquettes de charbon de bois, charbon de bois en morceaux, bûches fabriquées, bois flotté, déchets, feuilles, papier, carton, contreplaqué, bois peint ou teint ou traité sous pression dans ce foyer d'extérieur.
- Ne peignez PAS ni ne colorez quelque partie de cet appareil de chauffage que se soit.
- N'UTILISEZ PAS ce foyer d'extérieur tant qu'il n'est pas COMPLÈTEMENT assemblé et que toutes les pièces sont bien fixées, attachées et serrées.
- Ne rangez pas d'autre bouteille de GPL à une distance inférieure à 10 po (3,05 m) de ce foyer d'extérieur lorsqu'il est utilisé.
- N'utilisez PAS le foyer d'extérieur près d'une automobile, d'un bante ou à proximité d'une construction combustible non protégée. Évitez d'utiliser l'appareil sous des arbres et des arbustes ou à proximité de ceux-ci.
- Utilisez toujours le foyer d'extérieur sur une surface dure, plane et non combustible comme le béton, la roche ou la pierre. Il se peut qu'une surface recouverte d'asphalte ou de revêtement bitumineux ne convienne pas.
- N'utilisez PAS le foyer d'extérieur si une de ses pièces a été immergée. Appelez immédiatement un technicien de service qualifié pour inspecter le foyer de jardin et pour remplacer toute partie du système de contrôle et toute commande de gaz ayant été immergées.
- Ne placez PAS la housse protectrice sur l'appareil tant qu'il n'est pas éteint et complètement refroidi.
- N'utilisez PAS l'appareil par temps venteux.
- Gardez tous les cordons d'alimentation éloignés du foyer de jardin lorsqu'il est chaud.
- Lorsque le foyer d'extérieur est en marche, certaines zones deviendront trop chaudes au toucher. Afin d'éviter les brûlures, ne touchez pas aux surfaces chaudes avant que l'appareil n'ait refroidi, à moins de porter une tenue de protection comme des poignées isolantes, des gants ou des mitaines résistants à la chaleur.
- Ne tentez PAS de déplacer ou de ranger le foyer d'extérieur tant que toutes les pièces ne soient refroidies.
- Ne vous penchez PAS au-dessus du foyer d'extérieur lorsque vous l'utiliser ou l'allumer.
- Utilisez seulement l'ensemble de régulateur et de tuyau fourni. Utilisez l'ensemble de régulateur et de tuyau de remplacement précisé par le fabricant.
- Ne tentez PAS de débrancher le régulateur de gaz de la bouteille ou tout raccord de gaz lorsque le foyer d'extérieur est allumé.

- Coupez toujours l'alimentation du robinet de la bouteille et débranchez le régulateur de la bouteille lorsque vous n'utilisez pas le foyer d'extérieur.
- Ne vous asseyez PAS sur le foyer de jardin lorsqu'elle est en marche.
- Ne jetez RIEN sur le feu lorsque l'appareil fonctionne.
- Les perles en verre sont très chaudes; veuillez éloigner les enfants ou les animaux domestiques à une distance sécuritaire.
- Il est essentiel de toujours garder propres le compartiment du robinet le foyer d'extérieur, les brûleurs et les conduits d'aération. Vérifiez le foyer d'extérieur avant chaque utilisation.
- Vérifiez s'il y a des fuites lorsque l'appareil n'a pas été utilisé depuis longtemps.
- Avant chaque utilisation du foyer de jardin, vérifiez le tuyau pour déceler une usure ou une abrasion excessive en regardant à travers le trou de vérification. Si le tuyau est endommagé, abîmé ou coupé, il doit être remplacé avant d'utiliser la table avec foyer au gaz intégré. L'ensemble de tuyau peut seulement être remplacé par un ensemble de tuyau précisé par le fabricant. Veuillez communiquer avec le service à la clientèle en composant le 1 888 670-6684.
- Avant chaque utilisation, retirez les pierres de lave. Examinez le brûleur et ses composants. S'ils sont sales, nettoyez-les à l'aide d'une brosse à soies souples et de l'eau savonneuse. Examinez également la zone entourant le brûleur. Retirez toutes les saletés et les matières étrangères comme les nids ou les toiles d'araignées dans cette zone. S'il est évident que le brûleur est endommagé, le foyer de jardin ne doit pas être utilisé. L'ensemble de brûleur ne peut pas être remplacé. Veuillez communiquer avec le service à la clientèle en composant le 1 888 670-6684 pour le soutien technique.
- Placez le tuyau loin de la circulation de personnes afin d'éliminer le risque de trébuchement (en cas où une bouteille externe est utilisée). Ne placez pas le tuyau dans les zones à risque élevé de dommage accidentel.

DANGER

Ce foyer d'extérieur doit être utilisé uniquement avec du gaz propane liquide (GPL).

La conversion au gaz naturel ou l'utilisation du gaz naturel dans ce foyer d'extérieur est dangereuse et peut entraîner des blessures graves ou des dommages matériels.

ATTENTION : Toute modification du foyer d'extérieur qui n'est pas expressément indiquée dans le guide d'utilisation invalide la garantie du fabricant.

AVERTISSEMENT CONCERNANT LES DANGERS LIÉS À L'UTILISATION DU GAZ PROPANE LIQUIDE (GPL)

GAZ PROPANE LIQUIDE :

Le gaz propane liquide est inflammable et dangereux s'il est manipulé incorrectement. Informez-vous à propos de ses caractéristiques avant d'utiliser un produit au gaz propane liquide.

Caractéristiques du propane :

- Inflammable, explosif sous pression, plus lourd que l'air et se dépose en mares dans des dépressions.
- À son état naturel, le gaz propane est inodore. Pour votre sécurité, un odorisant a été ajouté.
- Tout contact avec du propane peut brûler la peau.
- Le propane est extrêmement inflammable et dangereux s'il est manipulé incorrectement.

AVERTISSEMENTS RELATIFS AU PROPANE LIQUIDE :

- Les bouteilles de gaz doivent être entreposées à l'extérieur, dans un endroit bien aéré et hors de portée des enfants.
- Les bouteilles de gaz débranchées doivent être munies de bouchons filetés bien fixés et ne doivent pas être entreposées dans un bâtiment, un garage ou autre espace clos.
- N'utilisez jamais une bouteille de propane dont le corps, le robinet, le collier ou le socle est endommagé.
- Des bouteilles de propane bosselées ou rouillées peuvent être dangereuses et doivent être vérifiées par votre fournisseur de gaz propane.
- Assurez-vous de n'utiliser avec l'appareil qu'une bouteille de propane liquéfié de 20 lb (9,1 kg) munie d'un robinet de Type 1, tel qu'il est prescrit par l'American National Standards Institute (ANSI) et par le Comité directeur de normalisation du Canada.
- Seules les bouteilles étiquetées « propane » peuvent être utilisées.
- L'installation de cet appareil doit respecter les codes locaux ou le National Fuel Gas Code, ANSI Z223.1 / NFPA54, OU CAN / CGA-B149.1, Code d'installation du gaz naturel et du propane. La bouteille de gaz propane liquide doit être placée de façon à pouvoir évacuer les émanations gazeuses.
- La bouteille de gaz propane liquide doit être munie d'un dispositif reconnu de prévention des trop-pleins et d'un QCCI ou d'un raccord de Type I (CGA810) à la bouteille de GPL.

- La bouteille de propane doit être munie d'un collet de réservoir afin de protéger le robinet de la bouteille.
- N'utilisez jamais une bouteille de propane dont le corps, le robinet, le collier ou le socle est endommagé. Les bouteilles de GPL bosselées ou rouillées peuvent être dangereuses.
- Prenez soin de ne pas échapper la bouteille de GPL et de ne pas la manipuler rudement.
- Les bouteilles doivent être rangées à l'extérieur, hors de portée des enfants. Ne la rangez PAS dans un bâtiment, un garage ou tout autre espace clos.
- Il ne faut jamais entreposer votre bouteille de GPL dans un endroit où la température peut dépasser 125 °F (52 °C).
- Ne rangez pas la bouteille de GPL en plein soleil ou près d'une source de chaleur ou de combustion.
- Ne laissez jamais une bouteille de GPL pleine dans une voiture exposée à la chaleur ou dans un coffre de voiture. La chaleur entraînera une augmentation de la pression du gaz, ce qui risque de faire ouvrir la soupape de sécurité et de laisser le gaz s'échapper.
- Mettez le capuchon protecteur sur l'orifice de sortie du robinet de la bouteille de GPL lorsque celle-ci n'est pas utilisée. Utilisez uniquement les capuchons antipoussière recommandés sur l'orifice de sortie du robinet de la bouteille de GPL du même type que le capuchon fourni avec le robinet de la bouteille de GPL. D'autres types de capuchon ou de bouchon peuvent laisser fuir le propane.
 - a. Ne rangez pas de bouteille de GPL de rechange sous l'appareil ni à proximité de celui-ci.
 - b. Ne remplissez jamais la bouteille de GPL à plus de 80 pour cent de sa capacité.
 - c. Si les directives mentionnées au point a) et au point b) ne sont pas suivies exactement, un incendie pouvant causer la mort ou des blessures graves pourrait survenir.
- Les bouteilles de GPL doivent être remplies uniquement par un détaillant de gaz de pétrole liquéfié certifié.
- La pression du régulateur de pression de gaz est réglée à 11 po CE (2,74 kPa).
- La pression maximale d'admission du gaz pour le foyer d'extérieur est de 250 lb/po2. La pression minimale d'admission du gaz pour ce foyer d'extérieur est de 25 lb/po2.
- Ne tentez jamais de raccorder l'appareil au système autonome d'alimentation en GPL d'une autocaravane, d'une caravane motorisée ou d'une résidence.
- Utilisez toujours le régulateur de pression et l'ensemble de tuyau inclus avec l'appareil pour le relier à une bouteille de GPL. Ne reliez jamais l'appareil à une source d'alimentation en GPL non réglementée. Veuillez communiquer avec le service à la clientèle en composant le 1 888 670-6684 pour le soutien technique.

- Ouvrez le robinet de commande à la main. N'utilisez jamais d'outils. Si vous ne parvenez pas à ouvrir le robinet à la main, ne tentez pas de le réparer. Communiquez avec un technicien certifié. L'utilisation de force ou une tentative de réparation de votre part peut entraîner un incendie ou une explosion.

Lors du raccord de la bouteille de gaz :

Avant de faire le raccord, assurez-vous qu'aucun débris ne vient obstruer la tête de la bouteille de gaz, le robinet du régulateur, la tête du brûleur ou les orifices du brûleur. Raccordez le robinet du régulateur et resserrez-le à la main fermement. Déconnectez le robinet du régulateur de la bouteille de propane lorsque le foyer de jardin n'est pas utilisé.

ASSEMBLAGE ET REMPLACEMENT DU TUYAU ET DU RÉGULATEUR

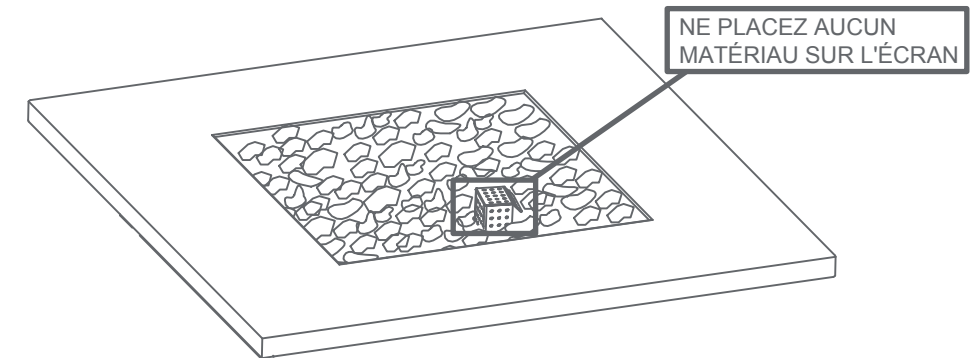
1. Le foyer de jardin est muni d'un tuyau de GPL standard et d'un régulateur comprenant un raccord latéral pour un dispositif de raccord CGA n° 791. Il est nécessaire d'utiliser le tuyau et le régulateur de GPL fournis avec le foyer de jardin. Utilisez uniquement l'ensemble de régulateur et de tuyau de remplacement précisé par le fabricant.

- a. La connexion CGA n° 791 possède un dispositif magnétique de régulation du débit qui agit de façon à restreindre le débit de gaz si une fuite est décelée entre le régulateur et le robinet du brûleur.
- b. Si le robinet du brûleur est ouvert avant que le robinet de service de la bouteille de GPL ne soit ouvert, la connexion interprétera le débit libre de gaz comme étant une fuite.
- c. Le dispositif de sécurité du raccord réduit l'alimentation en gaz du régulateur à l'appareil à un niveau minimal.
- d. Assurez-vous que le robinet de commande du brûleur est fermé avant d'ouvrir le robinet de service de la bouteille de GPL afin de vous assurer que le dispositif de régulation du débit de gaz ne soit pas déclenché par erreur.
- e. Si le dispositif de régulation du débit de gaz est activé par erreur, fermez le robinet de service de la bouteille de propane et le robinet du brûleur, attendez 10 secondes pour permettre à l'appareil de se réinitialiser, ouvrez le robinet de service de la bouteille, ouvrez le robinet du brûleur, puis allumez le foyer selon les instructions d'allumage.

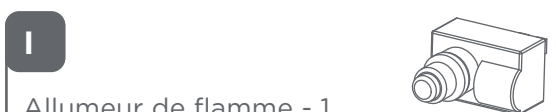
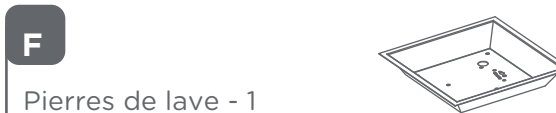
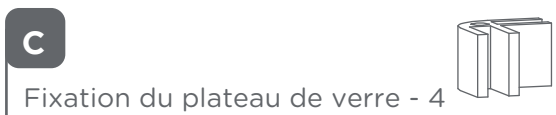
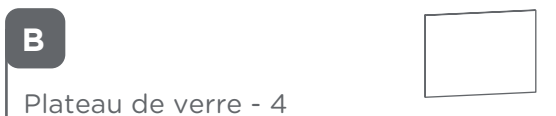
2. Assurez-vous de protéger le tuyau contre les surfaces chaudes. Le contact du tuyau avec une surface chaude vous expose à de graves dangers.
3. Entretien régulier du tuyau et du régulateur :
 - a. Vérifiez le tuyau avant chaque utilisation du foyer de jardin. Si le tuyau présente des signes de fissure, d'abrasion, d'entaille ou de dommage de tout genre, n'utilisez pas l'appareil. Réparez ou remplacez le tuyau au besoin avant d'utiliser l'appareil. Pour obtenir de l'aide relative à la réparation ou au remplacement du tuyau, communiquez avec le service à la clientèle en composant le 1 888 670-6684 . Servez-vous uniquement des pièces de rechange du fabricant.
 - b. Vérifiez le joint d'étanchéité à l'intérieur du robinet de service CGA n° 791 sur la bouteille de GPL lorsque vous remplacez la bouteille ou au moins une fois par année. S'il y a quelconque signe de dommage, faites remplacer le joint d'étanchéité par un détaillant de gaz certifié avant d'utiliser l'appareil.
4. N'utilisez pas d'outils pour serrer l'écrou d'accouplement du raccord CGA n° 791 au robinet de service de la bouteille de propane. Serrez le tout à la main seulement.
5. Prenez soin de ne pas fausser le filetage sur le raccord lorsque vous serrez le raccord CGA n° 791 sur le robinet de service de la bouteille de gaz.
6. Effectuez toujours une vérification des fuites après avoir fixé le raccord au robinet de service de la bouteille de GPL. (Consultez la section « Vérification des fuites » du présent guide à l'étape 7, page 21.)
7. Pour le raccord du tuyau et du régulateur à la bouteille de GPL, consultez l'étape 5 à la page 20.

AVERTISSEMENT CONCERNANT PIERRES DE LAVE :

1. Les pierres de lave peuvent avoir des arêtes coupantes. Portez des gants et des lunettes de sécurité lorsque vous les manipulez.
2. Si vous devez changer ou remplacer les pierres de laves avec d'autres matériaux, utilisez des pierres de lave/pierres ponces/morceaux de verre/perles de verre disponibles chez votre détaillant/distributeur autorisé local.
3. Versez les pierres de lave uniformément dans la zone du brûleur (à l'exception de l'écran, s'il y a lieu). Les pierres de lave doivent être placées à une distance de 1/2 à 1 po (1,2 à 2,5 cm) au-dessus du brûleur.



4. **IMPORTANT :** Ne placez pas les pierres de lave à une distance supérieure à 1 po (2,5 cm) au-dessus du brûleur. Assurez-vous qu'aucune pierre de lave ne recouvre l'écran de l'allumeur. Rangez le surplus de pierres de lave dans un endroit sûr.
5. Éloignez-vous de l'appareil durant les premières 20 minutes après l'avoir allumé la première fois puisque les pierres de lave, les pierres ponces, les éclats de verre ou les perles en verre peuvent être projetées et vous blesser. Si des pierres sont projetées, jetez-les.
6. Assurez-vous toujours que les pierres de lave, les pierres ponces, les éclats de verre ou les perles en verre sont complètement secs avant d'utiliser l'appareil. Sinon, ceux-ci pourraient craquer ou exploser.



POUR FACILITER L'ASSEMBLAGE, NE SERREZ PAS COMPLÈTEMENT LES BOULONS DANS L'ARMATURE AVANT QU'ILS NE SOIENT TOUS INSÉRÉS POUR CETTE PHASE DE L'ASSEMBLAGE.



Avertissement! N'essayez pas d'assembler, d'installer ou d'utiliser le produit avant d'avoir lu entièrement le guide et de l'avoir compris. Un manque à respecter les avertissements et mises en garde contenus dans ce guide d'utilisateur peut entraîner un incendie ou une explosion qui pourrait causer des dommages matériels, des blessures graves ou la mort.



Laissez-nous vous aider!
VEUILLEZ NE PAS RETOURNER LE PRODUIT AU MAGASIN.
APPELEZ-NOUS D'ABORD! 1 888 670-6684

Si vous avez des questions concernant le produit, avez besoin d'une assistance relative à la garantie ou avez des pièces endommagées ou manquantes, veuillez communiquer avec notre service à la clientèle grâce à la ligne d'assistance sans frais. Veuillez nous contacter pour toute assistance; nous sommes là pour vous aider.

IMPORTANT : Veuillez lire et comprendre ce guide avant tout assemblage. Avant de procéder à l'assemblage de l'article, assurez-vous qu'il ne manque aucune pièce. Comparez les pièces à la liste du contenu de l'emballage. Pour toute pièce manquante ou pour toute question, veuillez communiquer avec le centre de service au 1 888 670-6684 (sans frais).

Placez toutes les pièces du carton dans un endroit dégagé et positionnez-les sur le sol devant vous. Retirez tous les matériaux d'emballage et replacez-les dans le carton. Ne vous débarrassez pas des matériaux d'emballage avant d'avoir terminé l'assemblage. Lisez chaque étape avec soin avant de commencer l'assemblage et assurez-vous de toutes les comprendre.

Ce qui est requis pour l'assemblage :

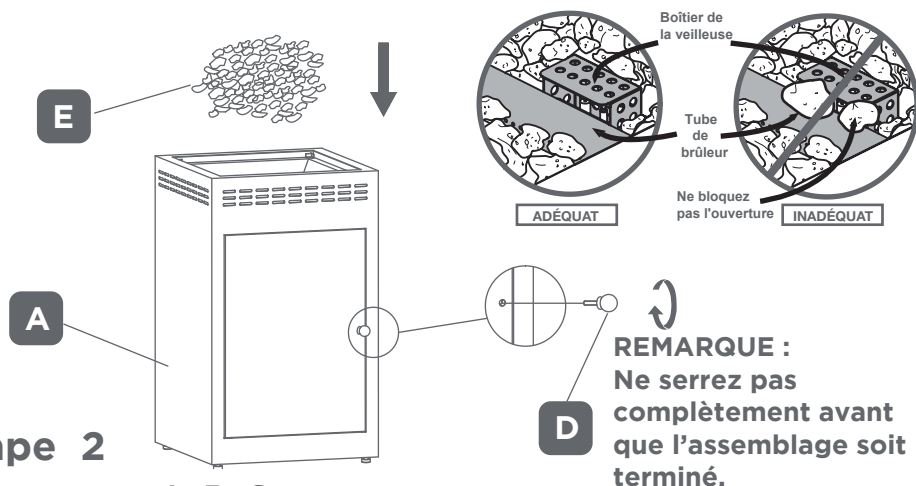


2 personnes

Étape 1

Pièces requises : **A, D, E, F**

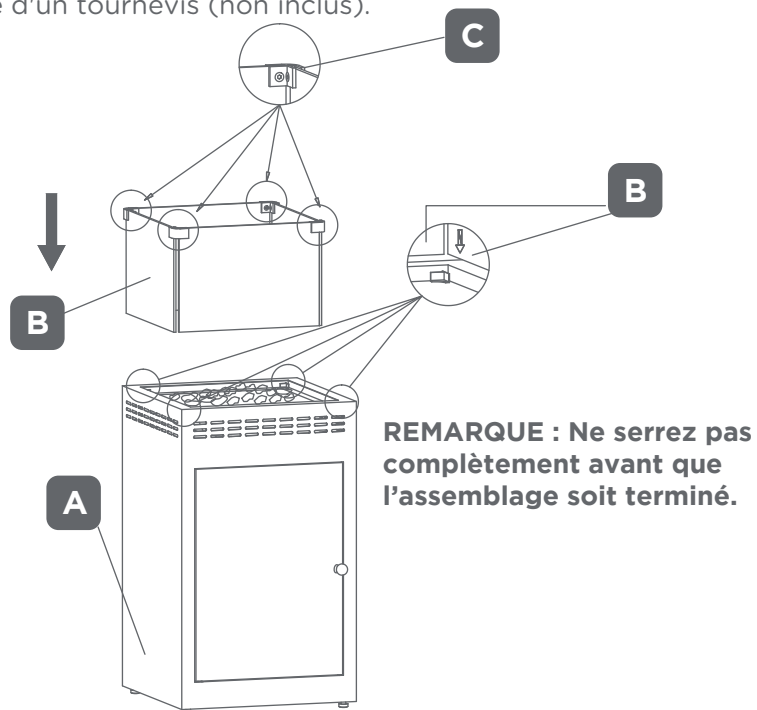
Installez la poignée (D) sur l'armature (A) et serrez manuellement. Placez les pierres de lave (E) dans la cuve à feu (F).



Étape 2

Pièces requises : **A, B, C**

Placez le plateau de verre (B) avec soin dans le dessus de l'armature (A). Insérez la fixation (C) du plateau de verre aux coins du plateau de verre et serrez à l'aide d'un tournevis (non inclus).

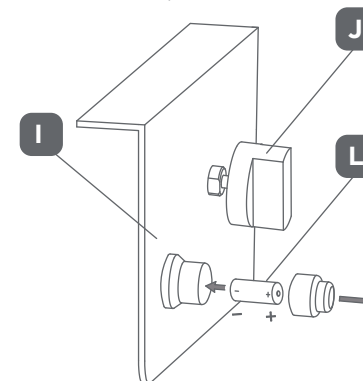


Étape 3

Pièces requises : **I, J, L**

Insérez la pile (L) et le bouton (J) dans l'allumeur électrique (I) et tournez le cache-bouton pour allumer le logement de la flamme pilote. Évitez de serrer excessivement.

AVERTISSEMENT : Les piles peuvent contenir du mercure. Ne jetez pas les piles dans le feu ou les ordures. Veuillez traiter les piles comme un déchet dangereux et les recycler correctement.

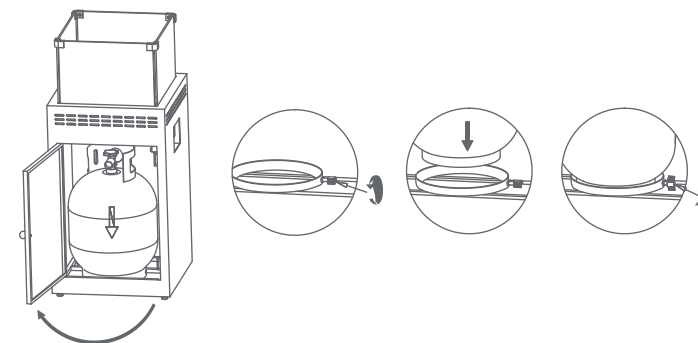


Étape 4

Installer la bouteille de GPL

ATTENTION : La bouteille de gaz propane doit être débranchée et retirée avant de déplacer ce foyer d'extérieur. Pour faire fonctionner ce foyer d'extérieur, il vous faut une bouteille de gaz propane remplie avec précision avec filetage de soupape externe.

1. Desserrez le boulon d'arrêt de la bouteille de propane en le tournant en sens antihoraire.
2. Placez la bouteille de gaz propane remplie avec précision à la verticale dans le trou dans la base du foyer d'extérieur de manière à ce que la soupape de la bouteille est orientée vers la connexion du tuyau d'alimentation de propane.
3. Fixez la bouteille en tournant le boulon arrêt de de la bouteille de propane dans le sens horaire jusqu'en butée.

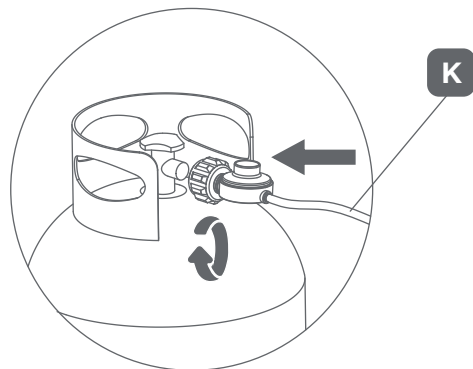


Étape 5

Raccordement de la bouteille de gaz propane liquide

Pièce requise : **K**

Avant de raccorder, assurez-vous qu'il n'y a aucun débris coincé dans la tête de la bouteille de gaz propane liquide, dans la tête du régulateur ou dans la tête du brûleur ou les pièces du brûleur. Raccordez le tuyau flexible de propane à la bouteille de gaz en tournant le bouton dans le sens des aiguilles d'une montre jusqu'à ce qu'il s'arrête.



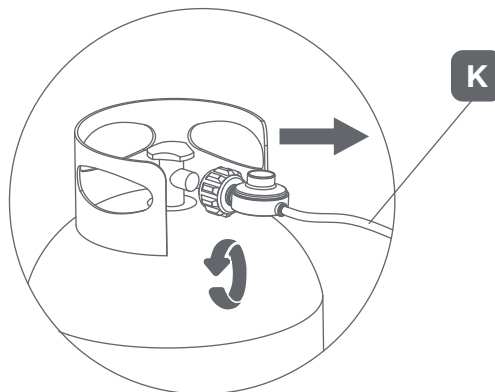
Étape 6

Débranchement de la bouteille de GPL

Pièce requise : **K**

1. Avant de débrancher la bouteille de GPL, assurez-vous que le robinet est "FERMÉ".
2. Débranchez l'ensemble du régulateur et du tuyau de la bouteille de GPL en tournant le bouton dans le sens contraire des aiguilles d'une montre jusqu'à ce qu'il se détache.
3. Placez le capuchon de protection sur la bouteille de GPL et entreposez-la à l'extérieur dans un endroit bien aéré à l'abri du soleil direct.

ATTENTION : La bouteille de GPL doit être correctement débranchée et retirée avant de déplacer le foyer d'extérieur.



Étape 7

Détection des fuites

AVERTISSEMENT : Avant d'utiliser ce foyer extérieur, assurez-vous de lire, comprendre et respecter toutes les consignes figurant dans la section « Consignes de sécurité importantes ». Tout manquement au respect de ces consignes peut entraîner la mort, des blessures graves ou des dommages matériels. Tout manquement à inspecter cette connexion ou suivre ces instructions peut entraîner la mort, des blessures graves ou des dommages matériels.

Raccordements du brûleur

1. Assurez-vous que les raccordements du tuyau flexible et du robinet du régulateur sont fixés solidement au brûleur et à la bouteille.
2. Examinez le raccordement entre le tube et l'orifice du brûleur/venturi.
3. Assurez-vous que le tube du brûleur/venturi s'ajuste bien sur l'orifice.
4. Veuillez vous reporter au schéma (figures 1 et 2) pour une installation correcte.
5. Si le tube du brûleur/venturi ne repose pas bien à plat contre l'orifice, tel qu'illustré, (figures 1 et 2), veuillez composer le 1 888 670-6684 pour une assistance.

Étape 8

Rechercher les fuites

1. Préparez 2 à 3 oz de solution de détection des fuites en mélangeant un volume de détergent liquide pour vaisselle et trois volumes d'eau.
2. Vérifiez que les boutons de commande sont en position « OFF (ARRÊT) ».
3. Raccordez la bouteille de gaz propane liquide conformément à la section « Installation de la bouteille de gaz propane liquide ».
4. Tournez le robinet de la bouteille de gaz propane liquide sur « OPEN (OUVERT) ».
5. Versez plusieurs gouttes avec une cuillère ou utilisez une gourde à tous les emplacements marqués d'un « X » (figures 1 et 2).
 - a. En cas d'apparition de bulles, tournez le robinet de la bouteille de gaz propane liquide sur « CLOSED (FERMÉ) », rebranchez et effectuez un autre test.
 - b. Si vous continuez de remarquer des bulles après plusieurs tentatives, tournez le robinet de la bouteille de gaz propane liquide sur « CLOSED (FERMÉ) » et débranchez la bouteille de gaz propane liquide conformément à la section « Débrancher la bouteille de gaz propane liquide ». Composez le 1 888 670-6684 pour toute assistance.
 - c. Si vous ne remarquez aucune bulle au bout d'une minute, tournez le robinet de la bouteille de gaz propane liquide sur « CLOSED (FERMÉ) », essuyez pour retirer la solution et continuez.

AVERTISSEMENT :
Tout manquement à inspecter ce raccordement ou suivre ces instructions peut entraîner la mort, des blessures graves ou des dommages matériels.

Figure 1

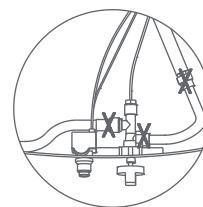
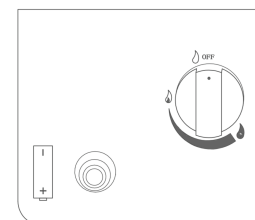
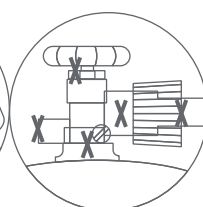
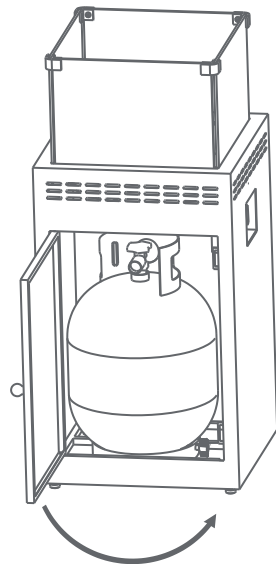


Figure 2



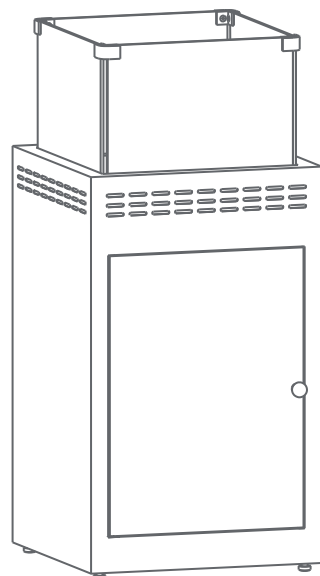
Étape 9

Une fois que la bouteille de gaz propane est installée correctement, fermez la porte du foyer.



Étape 10

Le foyer est maintenant prêt à être utilisé.





AVERTISSEMENT : N'allumez jamais le brûleur lorsque le foyer extérieur est recouvert du couvercle.



ATTENTION : Gardez l'espace autour de l'appareil dégagé et libre de matériaux combustibles, d'essence et de tout autre liquide ou vapeur inflammable.



ATTENTION : N'entravez PAS le flux d'air de combustion et de ventilation.



ATTENTION : Vérifiez et nettoyez le brûleur et les tubes de venturi pour enlever les insectes et les nids d'insectes. Un tube bouché peut être la source d'un incendie.

ALLUMAGE

1. Assurez-vous que toutes les étiquettes, tous les matériaux d'emballage et tous les films protecteurs ont été retirés du foyer extérieur.

2. Retirez le couvercle et le couvercle du brûleur (le cas échéant) avant d'utiliser le foyer. Vérifiez que la circulation d'air du brûleur n'est pas entravée. Les araignées, les insectes et les toiles d'araignées peuvent boucher les tubes de venturi et du brûleur.

3. Le bouton de commande doit être en position « OFF » (arrêt).

4. Pour assurer un fonctionnement correct, l'écran du logement de la flamme pilote ne doit pas être recouvert par les pierres de lave.

5. Branchez la bouteille de GPL conformément à la partie « Installation de la bouteille de GPL ».

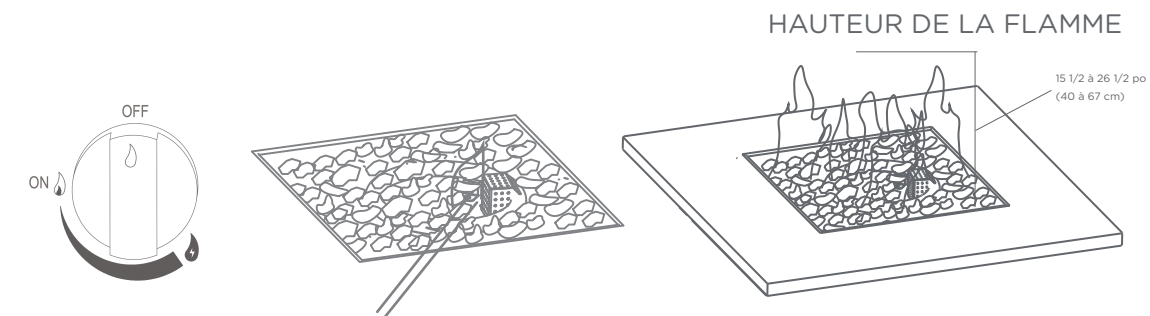
6. Tournez le robinet de la bouteille de GPL à la position « OPEN » (ouvert).

7. Maintenez enfoncé l'allumeur électronique pour produire des étincelles dans l'électrode; continuez à le maintenir enfoncé.

8. Enfoncez le bouton de commande et tournez-le jusqu'à la position « ON » (marche); continuez à le tenir enfoncé pour laisser le gaz s'écouler pendant 20 secondes.

9. Après 20 secondes, relâchez le bouton de commande et tournez-le dans le sens contraire des aiguilles d'une montre afin de régler la flamme à la hauteur désirée.

10. Si le brûleur ne s'allume pas après 20 secondes, tournez le bouton de commande du brûleur à la position « OFF » (arrêt), attendez 5 minutes, ventilez à l'aide d'un journal ou d'une revue, puis répétez les étapes d'allumage.



11. Si l'allumeur n'allume pas le brûleur :

- En portant des gants résistants à la chaleur, placez une longue allumette allumée ou un long briquet au butane allumé près du logement de la flamme pilote.
- Enfoncez et tournez le bouton de commande à la position « ON » (marche).
- Retirez l'allumette ou le briquet lorsque le brûleur est allumé.

MISE EN GARDE : Après l'allumage - à l'aide d'un ustensile de foyer et de gants résistants à la chaleur, déplacez avec précaution les pierres de lave jusqu'à la bonne position en faisant attention d'éviter la flamme.

12. A près avoir procédé à l'allumage, examinez la flamme du brûleur et assurez-vous que tous les orifices du brûleur sont allumés et que la hauteur de la flamme correspond à l'illustration.

MISE EN GARDE : Si le brûleur ne s'allume pas après 5 secondes, tournez le bouton de commande du brûleur à la position « OFF » (arrêt), attendez 5 minutes, ventilez à l'aide d'un journal ou d'une revue, puis répétez les étapes d'allumage.

Arrêt

1. Tournez le robinet de la bouteille de GPL à la position « CLOSED » (fermée).

2. Tournez le bouton de commande jusqu'à la position « OFF » (arrêt).

Remarque : Un son de « pouf » est normal, puisque le reste du GPL a été brûlé.

3. Débranchez la bouteille de GPL selon la section « Débranchement de la bouteille de GPL ».

4. **MISE EN GARDE :** Ne placez JAMAIS le couvercle sur le foyer extérieur chaud.

Nettoyage et entretien

ATTENTION :

1. Le nettoyage et l'entretien doivent toujours être effectués une fois que le foyer extérieur est refroidi et que l'alimentation en gaz a été coupée.
2. Ne nettoyez pas les pièces du foyer extérieur dans un four autonettoyant; la chaleur extrême endommagera le fini.
3. N'élargissez pas les orifices du robinet ou du brûleur lorsque vous nettoyez les robinets ou les brûleurs.

Avis

1. Le foyer extérieur doit être nettoyé à fond et vérifié de façon périodique.
2. Les produits nettoyants abrasifs endommageront ce produit.
3. Ne nettoyez JAMAIS les pièces du foyer extérieur à l'aide de produits nettoyants pour le four.

Avant chaque utilisation :

1. Assurez-vous que la zone autour du foyer extérieur est propre et dégagée de tout matériau combustible, d'essence et de tout autre vapeur ou liquide inflammable.
2. N'entravez pas le flux d'air de combustion du GPL et de ventilation d'air.
3. Enlevez tout débris obstruant les orifices d'aération entourant la bouteille de GPL.
4. Enlevez tout débris obstruant les orifices d'aération entourant la bouteille de GPL.
5. Consultez la section Nettoyage et entretien pour des instructions de nettoyage adéquates.
6. Vérifiez toutes les connexions pour vous assurer qu'il n'y a pas de fuite.
7. Vérifiez si les pièces sont endommagées ou rouillées.
8. Vérifiez que la circulation d'air du brûleur n'est pas entravée. Les araignées, les insectes et les toiles d'araignées peuvent boucher les tubes de venturi et du brûleur. Un tube de venturi ou de brûleur bloqué peut être la source d'un incendie.
9. Si une pièce est endommagée, assurez-vous d'effectuer les réparations nécessaires AVANT d'utiliser l'appareil.

Nettoyage des surfaces

1. Nettoyez les surfaces à l'aide de savon à vaisselle liquide doux ou de bicarbonate de soude.
2. Pour les taches tenaces, utilisez un dégraissant à base d'agrumes et une brosse en nylon.
3. Rincez à l'eau.
4. Laissez complètement sécher l'article à l'air.

Avant l'entreposage

1. Tournez le robinet de la bouteille de GPL à la position « CLOSED » (fermée).
2. Tournez le bouton de commande jusqu'à la position « OFF » (arrêt). Remarque : Un son de « pouf » est normal, puisque le reste du GPL a été brûlé.
3. Débranchez la bouteille de GPL selon la section « Débranchement de la bouteille de GPL ».
4. Nettoyez toutes les surfaces.
5. Enduisez les brûleurs d'une légère couche d'huile à cuisson pour prévenir la rouille excessive.
6. Si vous rangez le foyer extérieur à l'intérieur, couvrez-le et rangez-le dans un endroit frais et sec loin des enfants et des animaux.
7. Si vous entreposez le foyer extérieur en plein air, couvrez-le d'un couvert protecteur pour le protéger des intempéries.

Entretien

Couvrez le foyer d'un couvert protecteur lorsqu'il n'est pas utilisé, pour le protéger des éléments.

Nous vous conseillons d'entreposer votre foyer extérieur à l'intérieur pendant les mois d'hiver. Il sera protégé contre les fissures occasionnées par le froid extrême.

S'il faut l'entreposer à l'extérieur, il doit TOUJOURS être recouvert.

Pièces de rechange

Pour obtenir des pièces de rechange, veuillez communiquer avec notre service d'assistance au 1 888 670-6684.

Le brûleur ne s'allume pas à l'aide de l'allumeur.	Le robinet de la bouteille de GPL est fermé.	Assurez-vous que le régulateur est fixé solidement à la bouteille de GPL selon les instructions de la section « Installation de la bouteille de GPL », puis tournez le robinet de la bouteille de GPL à la position « OPEN » (ouverte).
	La bouteille de GPL est vide ou presque vide.	Échangez, remplissez ou remplacez la bouteille de GPL.
	Il y a une fuite de gaz propane liquide.	1. Tournez le robinet de la bouteille de GPL à la position « CLOSED » (fermée). 2. Attendez cinq minutes afin que le gaz puisse se disperser. 3. Suivez les instructions à la section « Vérification des fuites ».
	La pile doit être changée.	Remplacez la pile « AAA » (reportez-vous étape de l'assemblage pour insérer la pile).
	L'électrode et les brûleurs sont mouillés.	Essuyez avec un linge.
	L'électrode est fissurée ou fendue (des étincelles sont visibles à la fissure).	Des pièces de rechange peuvent être nécessaires — communiquez avec le service à la clientèle au 1 888 670-6684.
	Un fil est mal raccordé ou est déconnecté.	Des pièces de rechange peuvent être nécessaires — communiquez avec le service à la clientèle au 1 888 670-6684.
	Il y a un court-circuit (étincelles) entre l'allumeur et l'électrode.	Des pièces de rechange peuvent être nécessaires — communiquez avec le service à la clientèle au 1 888 670-6684.
Le brûleur ne s'allume pas à l'aide d'une allumette.	L'allumeur est défectueux.	Des pièces de rechange peuvent être nécessaires — communiquez avec le service à la clientèle au 1 888 670-6684.
	Il n'y a pas d'alimentation en gaz.	Vérifiez si la bouteille de gaz propane liquide est vide. a. Échangez, remplissez ou remplacez la bouteille de GPL si elle est vide. b. Si la bouteille de GPL n'est pas vide, reportez-vous à la section « Baisse soudaine du débit de gaz ou hauteur de flamme réduite » (voir ci-dessous).
	La bouteille de GPL est vide ou presque vide.	Échangez, remplissez ou remplacez la bouteille de GPL.
	Il y a une fuite de gaz propane liquide.	1. Tournez le robinet de la bouteille de GPL à la position « CLOSED » (fermée). 2. Attendez cinq minutes afin que le gaz puisse se disperser. 3. Suivez les instructions à la section « Détection des fuites ».
	L'écrou d'accouplement et le régulateur ne sont pas correctement raccordés.	Tournez l'écrou d'accouplement d'un demi-tour à trois quarts de tour de plus, jusqu'à ce qu'il soit solidement serré. Serrez uniquement à la main; n'utilisez PAS d'outils.
	L'alimentation en gaz est obstruée.	1. Dégagez le tube du brûleur ou le tube de venturi. 2. Vérifiez si des tuyaux sont pliés.
	La connexion est rompue entre le brûleur et le robinet.	Reconnectez le brûleur et le robinet.
	Des toiles d'araignées ou des nids d'insectes se trouvent dans le tube de venturi ou du brûleur.	Nettoyez le tube du brûleur ou le tube de venturi.
Les orifices du brûleur sont obstrués.	Nettoyez les orifices du brûleur.	

Il y a baisse soudaine du débit de gaz ou la hauteur de flamme est réduite.	Il n'y a plus de gaz.	Échangez, remplissez ou remplacez la bouteille de GPL.
	Le dispositif de prévention de trop-plein a peut-être été activé.	<ol style="list-style-type: none"> 1. Tournez le bouton de commande à la position « OFF » (arrêt). 2. Attendez 30 secondes, puis allumez le foyer extérieur selon la section « Allumage ». 3. Si les flammes sont toujours trop faibles, réinitialisez le dispositif de sécurité de débit excessif : <ol style="list-style-type: none"> a. Tournez le bouton de commande à la position « OFF » (arrêt). b. Tournez le robinet de la bouteille de GPL à la position « CLOSED » (fermée). c. Débranchez le régulateur. d. Tournez le bouton de commande à la position « ON » (marche). e. Attendez une minute. f. Tournez le bouton de commande à la position « OFF » (arrêt). g. Rebranchez le régulateur et les connexions de vérification des fuites, en prenant soin de ne pas ouvrir complètement le robinet. h. Allumez le foyer d'extérieur selon les instructions à la section « Allumage ».
La combustion est irrégulière et la flamme ne se propage pas sur toute la longueur du brûleur.	Les orifices du brûleur sont encrassés ou obstrués.	Nettoyez les orifices du brûleur.
La flamme est jaune ou orange.	Le nouveau brûleur contient des résidus d'huile. Des toiles d'araignées ou des nids d'insectes se trouvent dans le tube de venturi ou du brûleur. Le robinet et le tube de venturi du brûleur sont mal alignés.	Nettoyez les orifices du brûleur. Nettoyez le tube du brûleur ou le tube de venturi. Assurez-vous que le tube du brûleur ou de venturi est bien connecté au robinet.
La flamme s'éteint.	Il y a des vents violents.	N'utilisez pas le foyer extérieur dans des conditions de grands vents.
	La bouteille de gaz propane liquide est presque vide.	Échangez, remplissez ou remplacez la bouteille de GPL.
	La soupape d'excès de débit a été activée.	Consultez la section « Baisse soudaine du débit de gaz ou hauteur de flamme est réduite ».
Des retours de flamme se produisent (feu dans les tubes de venturi ou du brûleur).	Le brûleur ou le tube de brûleur ou de venturi brûleur est obstrué.	Nettoyez le(s) tube(s) de brûleur ou de venturi.
La flamme semble perdre de la chaleur pendant la combustion par temps froid – la température est inférieure à 10 °C (50 °F).	De la glace s'est accumulée à l'extérieur de la bouteille de GPL parce que le processus de vaporisation est trop lent.	<ol style="list-style-type: none"> 1. Fermez l'appareil selon la section « Arrêt ». 2. Remplacez la bouteille de GPL par une bouteille de rechange. 3. Rebranchez la bouteille de GPL selon la section « Installation de la bouteille de GPL ». 4. Suivez les instructions à la section « Vérification des fuites ». 5. Allumez le foyer d'extérieur selon les instructions à la section « Allumage ».

Dimensions (larg. x long. x H.)	16 x 16 x 35 1/2 po
	40,5 x 40,5 x 90 cm
Poids du produit	33 lb
	15 kg

Cet article CANVAS est couvert par une garantie d'un (1) an contre les défauts de fabrication et de matériaux. Trileaf Distribution Trifeuil accepte de remplacer gratuitement l'article défectueux pendant la période précisée dans la garantie, lorsqu'il est retourné par l'acheteur original accompagné d'une preuve d'achat. La garantie ne couvre pas cet article contre l'usure ou les bris causés par un mauvais usage ou un usage abusif.