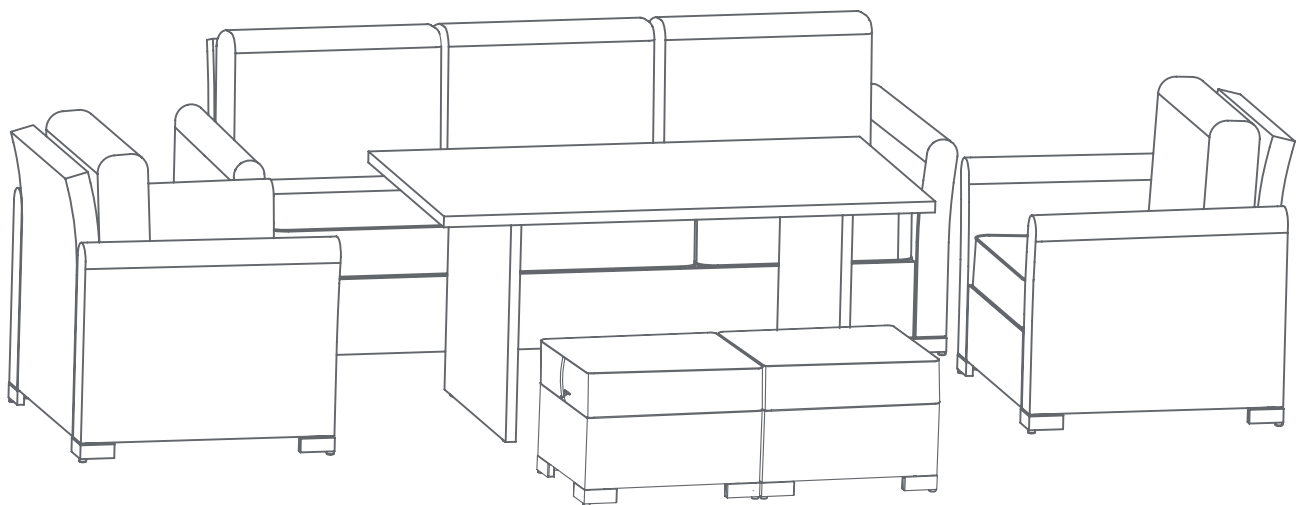


# CANVAS<sup>TM/MC</sup>

## CAMBRIDGE 6-PIECE CONVERSATION/DINING SET

---

Model No. 088-2095-4



### ASSEMBLY INSTRUCTIONS

**Toll-free: 1-888-670-6684**

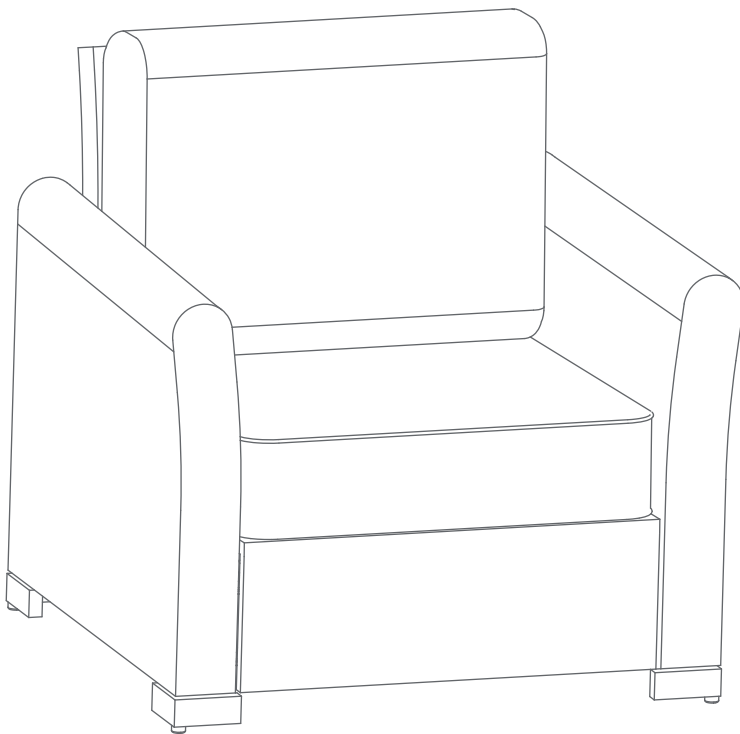
**IMPORTANT:** Please read this manual carefully before beginning assembly of this product.  
Keep this manual for future reference.

# CANVAS<sup>TM/MC</sup>

## CAMBRIDGE 6-PIECE CONVERSATION/DINING SET

---

Model No. 088-2095-4



### ASSEMBLY INSTRUCTIONS

**Toll-free: 1-888-670-6684**

**IMPORTANT:** Please read this manual carefully before beginning assembly of this product.  
Keep this manual for future reference.



# CANVAS<sup>TM/MC</sup>

3

<b>Important Safety Instructions</b>	<b>3</b>
<b>Parts List</b>	<b>4</b>
<b>Assembly Preparation</b>	<b>5</b>
<b>Assembly</b>	<b>6</b>
<b>Cleaning and Maintenance</b>	<b>10</b>
<b>Specifications</b>	<b>10</b>
<b>Warranty</b>	<b>11</b>

TABLE OF CONTENTS



Warning! To reduce the risk of serious injury, read the following safety instructions before assembling and using the chair.

**Caution! Always keep children under close supervision while they are using or around this product.**

- This product is intended for domestic, outdoor use only.
- The product should be placed on flat, horizontal ground.
- Any assembly or maintenance of the product must be carried out by adults only.
- Arrange necessary manpower when assembling or moving the product.
- Some parts may contain sharp edges. Wear protective gloves if necessary.
- Check all nuts and bolts periodically for tightness. When required, tighten them again.
- If the product will not be used for a long period of time (e.g., wintertime), it should be stored in a clean, dry environment.
- Do not light any fires inside or near the product!
- Do not hang any weights on the frame.
- Retain the original package to store the product.

IMPORTANT SAFETY INSTRUCTIONS

**IMPORTANT:** RETAIN FOR FUTURE REFERENCE, AND READ CAREFULLY.



**4 Model No. 088-2095-4****A**

Right arm - 1

**B**

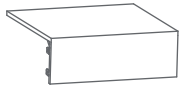
Left arm - 1

**C**

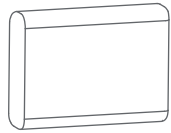
Back frame- 1

**D**

Seat frame- 1

**E**

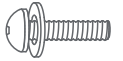
Back cushion - 1

**F**

Seat cushion - 1

**AA**

M6x20 Combination bolt and washer - 8

**BB**

M6x45 Combination bolt and washer - 2

**CC**

Hex key - 1



**FOR EASY ASSEMBLY, DO NOT COMPLETELY TIGHTEN BOLTS INTO THE FRAME UNTIL ALL BOLTS HAVE BEEN INSERTED FOR THAT PHASE OF ASSEMBLY. ONLY AT THE FINAL STEP OF ASSEMBLY, SECURELY TIGHTEN ALL BOLTS AND HARDWARE.**

**CAUTION!**

- Do not place the product underneath electrical lines.
- Keep children away during assembly.
- This product contains small parts which can be swallowed by children.
- Keep fingers away from places where they can be pinched or trapped.

**Let us help you!****DO NOT RETURN YOUR PRODUCT TO THE STORE. CALL US FIRST!**

1-888-670-6684

If you have questions regarding your product, require warranty assistance, or have damaged or missing parts, please call our customer service toll-free helpline. Contact us for assistance; we're here to help.

**IMPORTANT:** Please read and understand this manual before any assembly. Before beginning assembly of product, make sure all parts are present. Compare parts with packaging contents list. If any part is missing, or if you have any questions, contact the service centre at 1-888-670-6684 (toll free).

Place all parts from the box in a cleared area and position them on the floor in front of you. Remove all packing materials and place them back into the box. Do not dispose of the packing materials until assembly is complete. Read each step carefully before beginning any assembly and make sure you understand each step.

Needed for assembly:



2 people

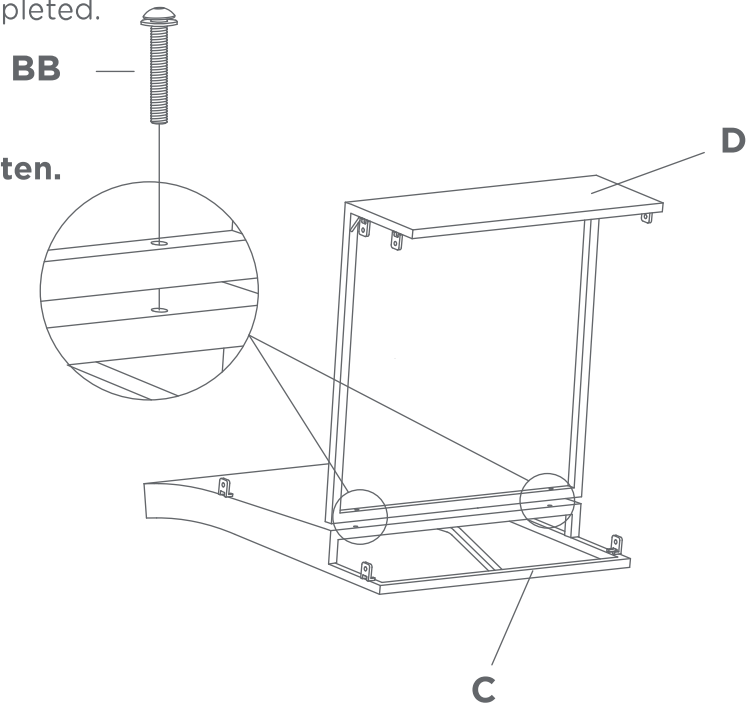
## 6 Model No. 088-2095-4

### Step 1

Requires **C, D, BB, CC**

Place the back frame (C) on a soft, flat surface. Line up the bolt holes on the back frame (C) with the corresponding bolt holes on the seat frame (D). Insert M6x45 combination bolts and washers (BB) and lightly tighten the bolts using the hex key (CC). Do not completely tighten until all assembly is completed.

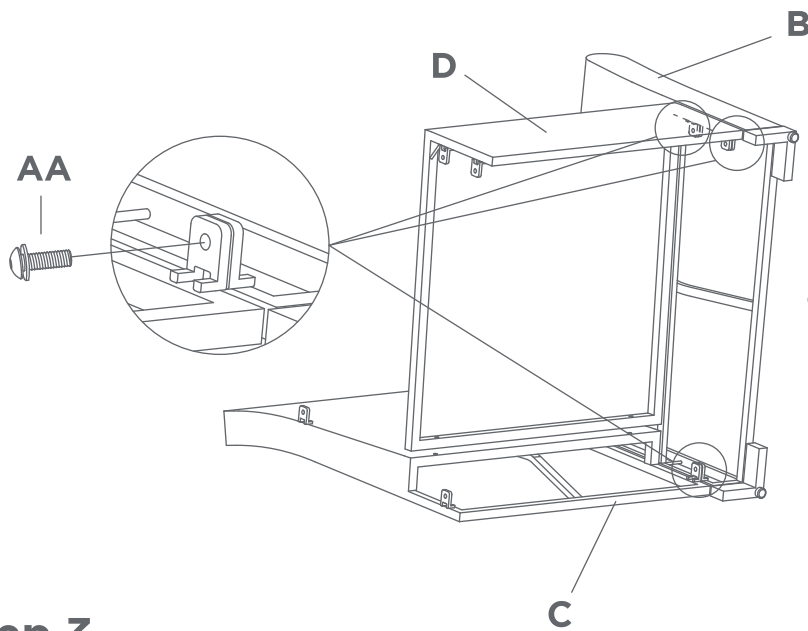
**NOTE: Do not completely tighten.**



## Step 2

Requires **B, C, D, AA, CC**

Attach the left arm (B) to the seat frame (D) and back frame (C). Line up the bolt holes on the left arm (B) with the corresponding bolt holes on the seat frame (D) and back frame (C). Insert M6x20 combination bolts and washers (AA) and lightly tighten the bolts using the hex key (CC). Do not completely tighten until all assembly is completed.

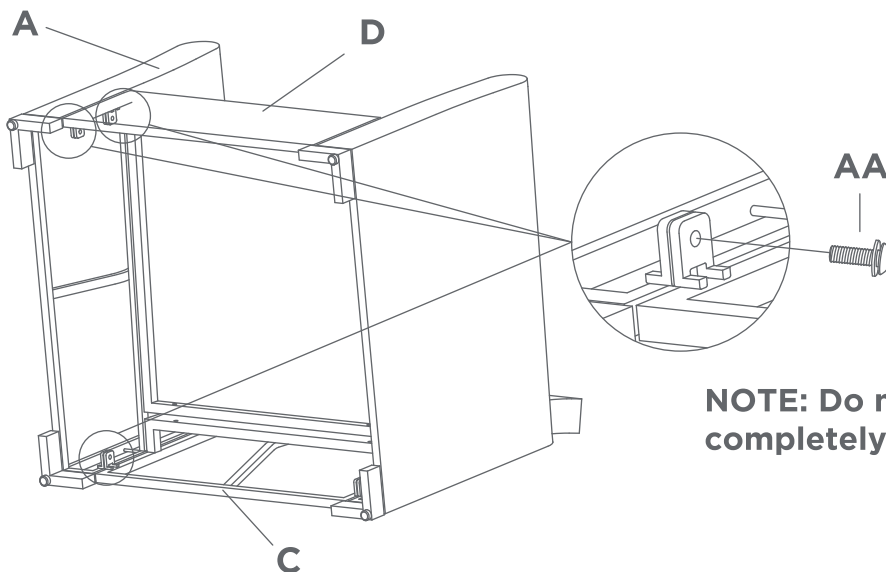


**NOTE: Do not completely tighten.**

## Step 3

Requires **A, C, D, AA, CC**

Repeat the same step for the right arm (A).



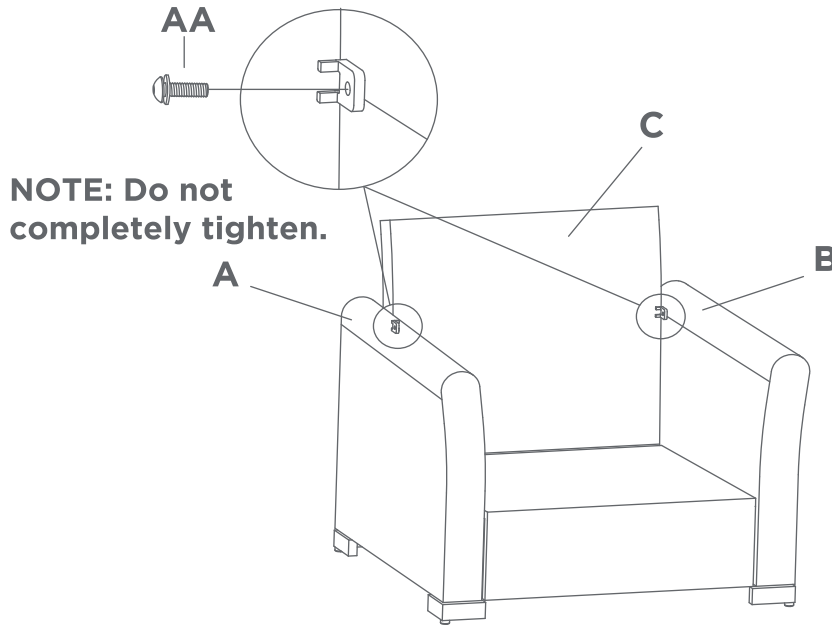
**NOTE: Do not completely tighten.**

8 Model No. 088-2095-4

Step 4

Requires **A, B, C, AA, CC**

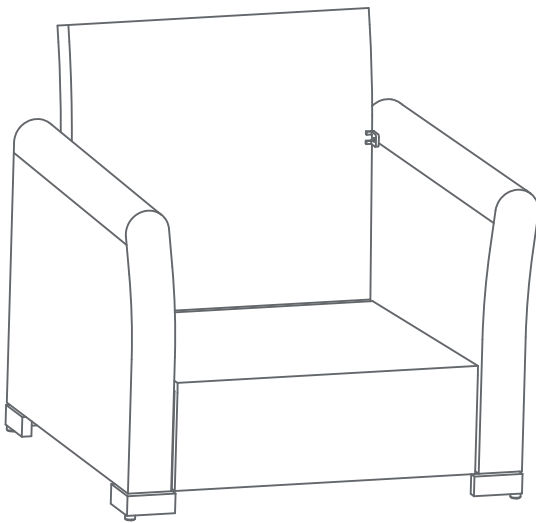
Insert M6x20 combination bolts and washers (AA) to secure back frame (C) with left arm (B) and right arm (A). Lightly tighten the bolts using the hex key (CC).



## Step 5

Requires **CC**

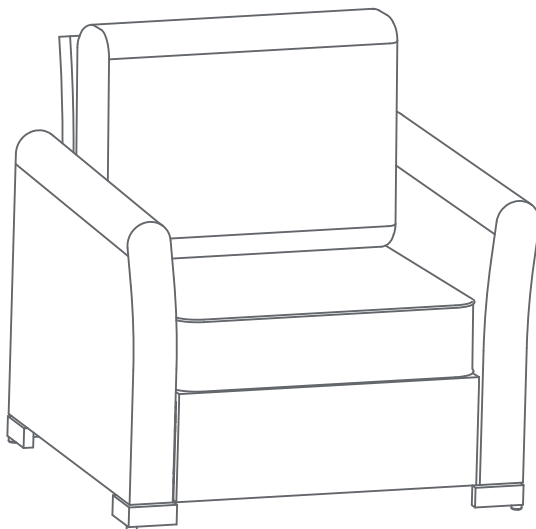
Ensure all bolts are securely tightened using the hex key (CC).  
Turn the chair the correct way up.



## Step 6

Requires **E, F**

Place the seat cushion (F) and back cushion (E) onto the chair.  
Your chair is now complete and ready to use).



## 10 Model No. 088-2095-4

**CAUTION!**

- Check all screws and nuts periodically for tightness, tightening them again as required.
- Disassemble the chair in the reverse order of the assembly steps.
- Always disassemble the chair completely. A partially disassembled chair is not stable enough to resist wind and bad weather, and therefore can be damaged and/or cause damage.
- Clean the chair with mild soap and water. Rinse thoroughly, and wait until the chair is completely dry before reassembling it.

- Always use a mild soap—never detergent.
  - Water should be cold to lukewarm—never more than 25°C (77°F).
- Steel components of garden accessories and furniture are treated with rust-inhibiting paint. However, due to the nature of steel, surface oxidation (rusting) will occur if this protective coating is scratched. This is a natural process. To minimize this condition, it is recommended that care be taken when assembling and handling the product in order to prevent the paint from being scratched. Surface rust can be removed easily using a very light application of common cooking oil. If surface oxidation (rusting) occurs and no measures are taken to correct it, the oxidation may start dripping onto the assembly surface, which may cause damaging stains that may be difficult to remove.

Dimensions (L x W x H)	34 1/4 x 31 1/4 x 32 3/8 in
	87 x 79.5 x 82.5 cm
Product weight	44 lbs
	20 kg
Weight Capacity	250 lbs
	113 kg

# CANVAS<sup>TM/MC</sup>

11

This CANVAS product carries a one (1) year warranty against defects in workmanship and materials. Trileaf Distribution agrees to replace a defective product free of charge, within the stated warranty period, when returned by the original purchaser with proof of purchase. This product is not guaranteed against wear or breakage due to misuse and/or abuse.

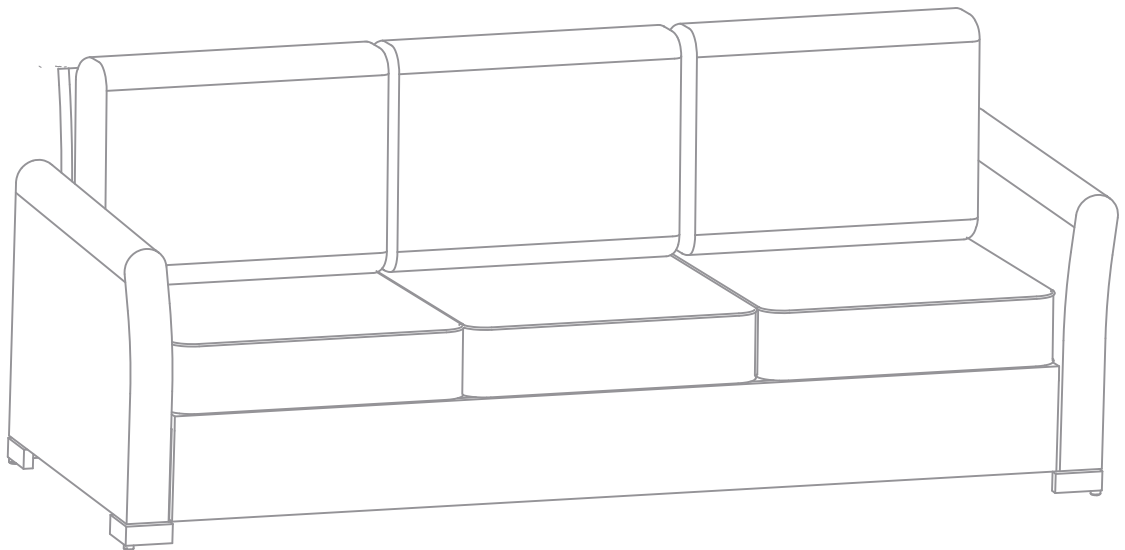
WARRANTY



# CANVAS<sup>TM/MC</sup>

## CAMBRIDGE 6-PIECE CONVERSATION/DINING SET

Model NO. 088-2095-4



### ASSEMBLY INSTRUCTIONS

**Toll-free number: 1-888-670-6684**

IMPORTANT: Please read this manual carefully before beginning assembly of this product.

Keep this manual for future reference.



# CANVAS<sup>TM/MC</sup> 3

Important Safety Instructions	3
Parts List	4
Assembly Preparation	5
Assembly	6
Cleaning and Maintenance	10
Specifications	10
Warranty	11



Warning! To reduce the risk of serious injury, read the following safety instructions before assembling and using the sofa.

**Caution! Always keep children under close supervision while they are using or around this product.**

- This product is intended for domestic, outdoor use only.
- The product should be placed on flat, horizontal ground.
- Any assembly or maintenance of the product must be carried out by adults only.
- Arrange necessary manpower when assembling or moving the product.
- Some parts may contain sharp edges. Wear protective gloves if necessary.
- Check all nuts and bolts periodically for tightness. When required, tighten them again.
- If the product will not be used for a long period of time (e.g., wintertime), it should be stored in a clean, dry environment.
- Do not light any fires inside or near the product!
- Do not hang any weights on the frame.
- Retain the original package to store the product.

**IMPORTANT:** RETAIN FOR FUTURE REFERENCE, AND READ CAREFULLY.

**4 Model NO. 088-2095-4****A**

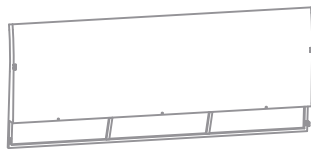
Right arm - 1

**B**

Left arm - 1

**C**

Back frame - 1

**D**

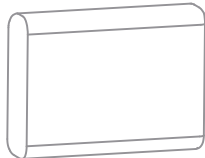
Seat frame - 1

**E**

Middle leg - 2

**F**

Back cushions - 3

**G**

Seat cushions - 3

**AA**

M6x20 Combination bolt and washer - 12

**BB**

M6x45 Combination bolt and washer - 3

**CC**

Hex key - 1



**FOR EASY ASSEMBLY, DO NOT COMPLETELY TIGHTEN BOLTS INTO THE FRAME UNTIL ALL BOLTS HAVE BEEN INSERTED FOR THAT PHASE OF ASSEMBLY. ONLY AT THE FINAL STEP OF ASSEMBLY, SECURELY TIGHTEN ALL BOLTS AND HARDWARE.**



## CAUTION!

- Do not place the product underneath electrical lines.
- Keep children away during assembly.
- This product contains small parts which can be swallowed by children.
- Keep fingers away from places where they can be pinched or trapped.



## Let us help you!

**DO NOT RETURN YOUR PRODUCT TO THE STORE.**

**CALL US FIRST!**

1-888-670-6684

If you have questions regarding your product, require warranty assistance, or have damaged or missing parts, please call our customer service toll-free helpline. Contact us for assistance; we're here to help.

**IMPORTANT:** Please read and understand this manual before any assembly. Before beginning assembly of product, make sure all parts are present. Compare parts with packaging contents list. If any part is missing, or if you have any questions, contact the service centre at 1-888-670-6684 (toll free).

Place all parts from the box in a cleared area and position them on the floor in front of you. Remove all packing materials and place them back into the box. Do not dispose of the packing materials until assembly is complete. Read each step carefully before beginning any assembly and make sure you understand each step.

Needed for assembly:



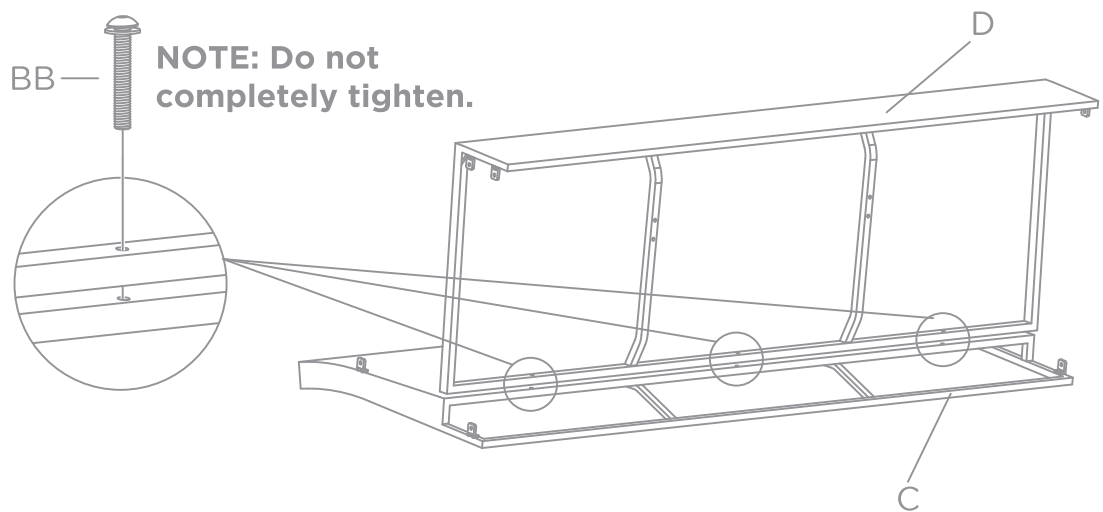
2 people

## 6 Model NO. 088-2095-4

### Step 1

Requires **C, D, BB, CC**

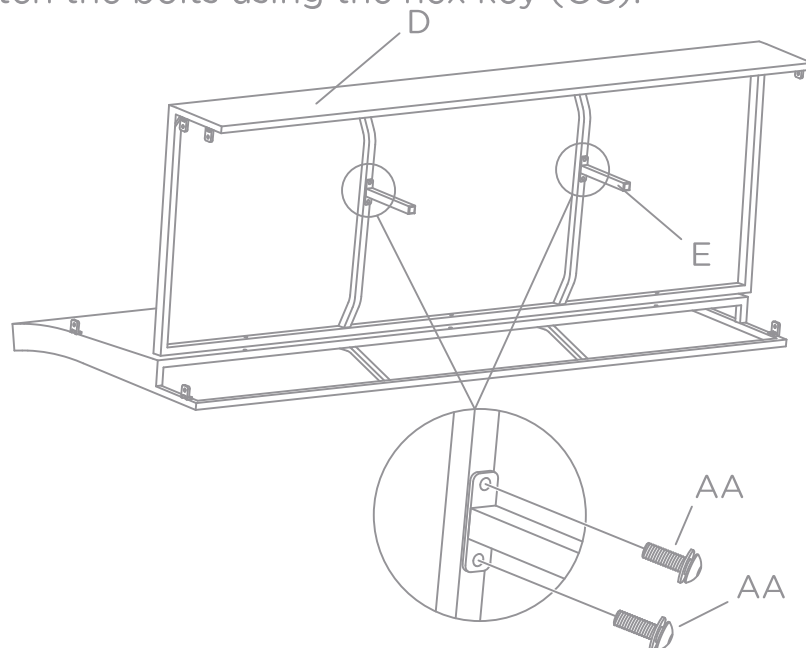
Place the back frame (C) on a soft, flat surface. Line up the bolt holes on the back frame (C) with the corresponding bolt holes on the seat frame (D). Insert M6x45 combination bolts and washers (BB) and lightly tighten the bolts using the hex key (CC). Do not completely tighten until all assembly is completed.



### Step 2

Requires **D, E, AA, CC**

Attach the middle legs (E) to the support tube under the seat frame (D). Insert M6x20 combination bolts and washers (AA) and tighten the bolts using the hex key (CC).

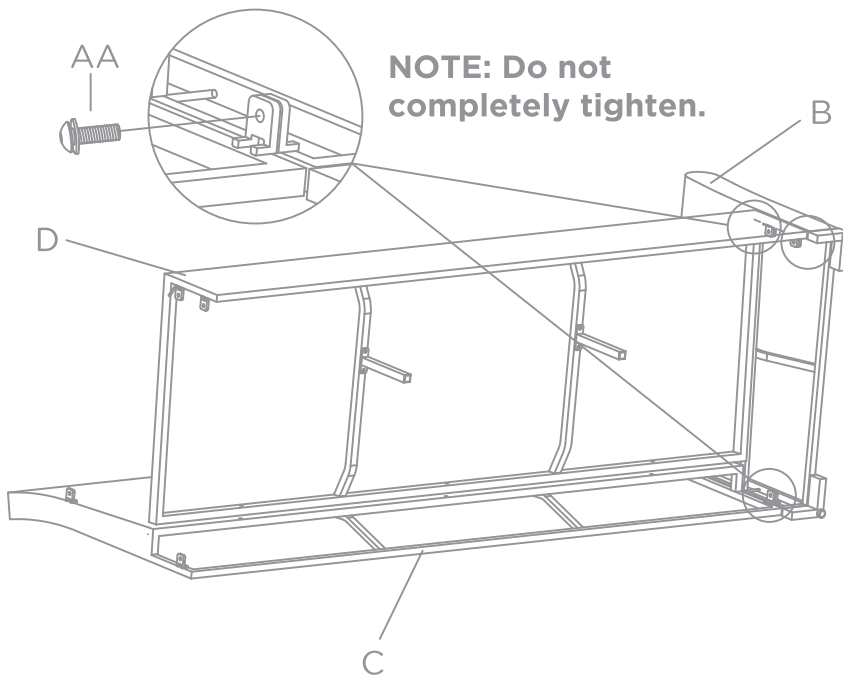


**NOTE: Do not completely tighten.**

### Step 3

Requires **B, C, D, AA, CC**

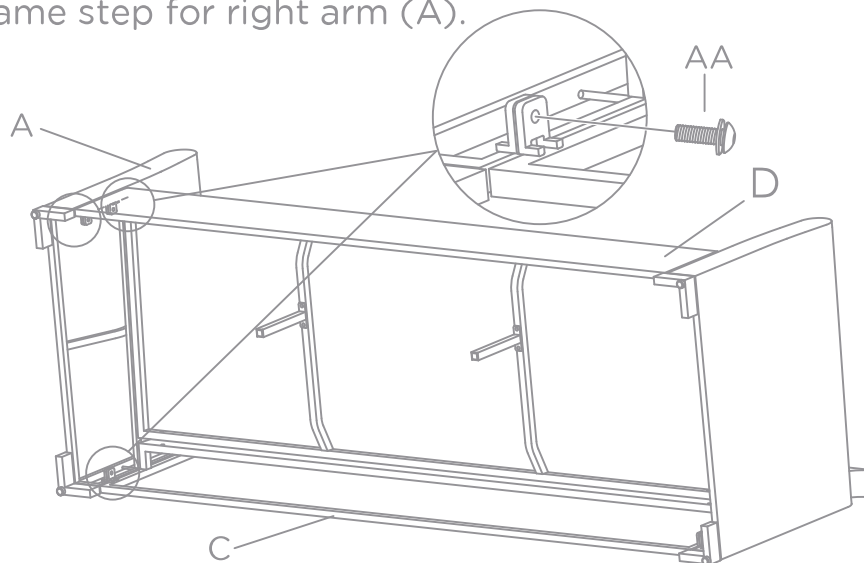
Attach the left arm (B) to the seat frame (D) and back frame (C). Line up the bolt holes on the left arm (B) with the corresponding bolt holes on the seat frame (D) and back frame (C). Insert M6x20 combination bolts and washers (AA) and lightly tighten the bolts using the hex key (CC). Do not completely tighten until all assembly is completed.



### Step 4

Requires **A, C, D, AA, CC**

Repeat the same step for right arm (A).

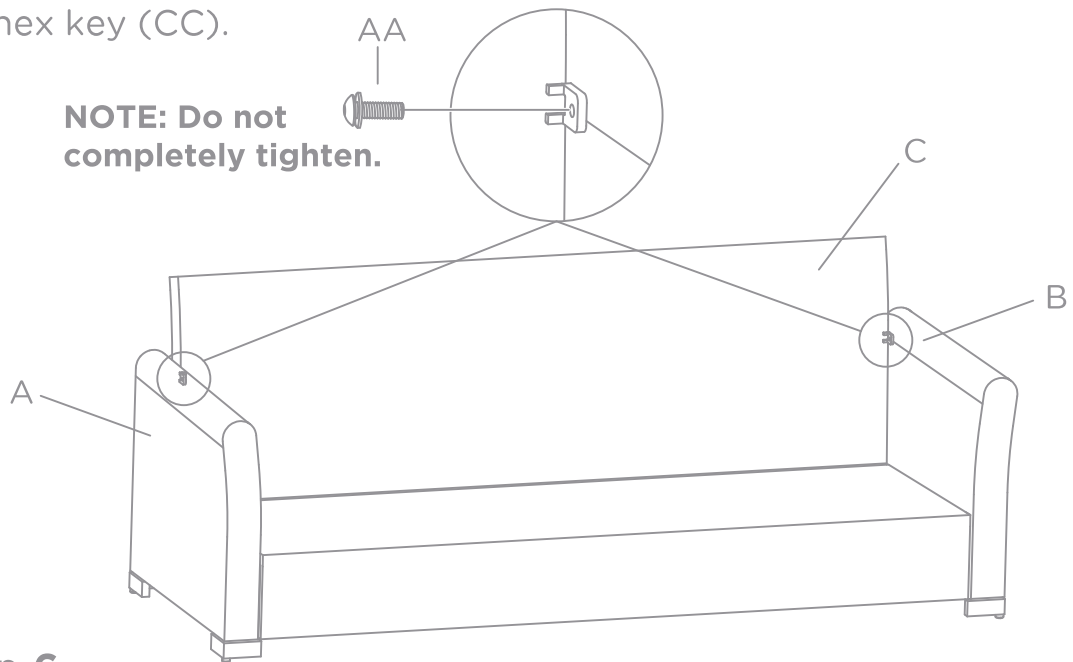


**NOTE: Do not completely tighten.**

**8 Model NO. 088-2095-4****Step 5**

Requires **A, B, C, AA, CC**

Insert M6x20 combination bolt and washer (AA) to secure back frame (C) to left arm (B) and right arm (A). Lightly tighten the bolts using the hex key (CC).

**Step 6**

Requires **CC**

Ensure all bolts are securely tightened using the hex key (CC). Turn the sofa the correct way up.





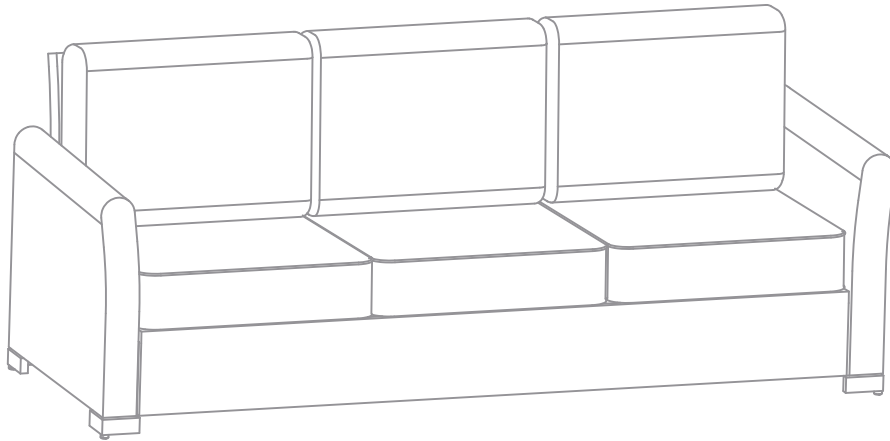
# CANVAS™/MC

9

## Step 7

Requires **F, G**

Place the seat cushions (G) and back cushions (F) onto the chair.  
Your sofa is now complete and ready to use.



## 10 Model NO. 088-2095-4

**CAUTION!**

- Check all screws and nuts periodically for tightness, tightening them again as required.
- Disassemble the sofa in the reverse order of the assembly steps.
- Always disassemble the sofa completely. A partially disassembled sofa is not stable enough to resist wind and bad weather, and therefore can be damaged and/or cause damage.
- Clean the sofa with mild soap and water. Rinse thoroughly, and wait until the product is dry before reassembling it.

- To wash the fabric parts:
  - Spread the fabric and use a soft-bristle brush to clean.
  - Always use a mild soap-never detergent.
  - Water should be cold to lukewarm-never more than 25°C (77°F).
  - Air-dry only; do not spin in washing machine or hand-squeeze.
- Do not use bleach, acid, or other abrasive cleaners on the canopy or frame parts.
- Steel components of garden accessories and furniture are treated with rust-inhibiting paint. However, due to the nature of steel, surface oxidation (rusting) will occur if this protective coating is scratched. This is a natural process. To minimize this condition, it is recommended that care be taken when assembling and handling the product in order to prevent the paint from being scratched. Surface rust can be removed easily using a very light application of common cooking oil. If surface oxidation (rusting) occurs and no measures are taken to correct it, the oxidation may start dripping onto the assembly surface, which may cause damaging stains that may be difficult to remove.

Dimensions	84 1/2 x 31 1/4 x 32 3/8 in
	214 x 79.5 x 82.5 cm
Product weight	83 lb 7 oz
	38 kg
Weight capacity	250 lbs per seat
	113 kg per seat

# CANVAS<sup>TM/MC</sup> 11

This CANVAS product carries a one (1) year warranty against defects in workmanship and materials. Trileaf Distribution agrees to replace a defective product free of charge, within the stated warranty period, when returned by the original purchaser with proof of purchase. This product is not guaranteed against wear or breakage due to misuse and/or abuse.

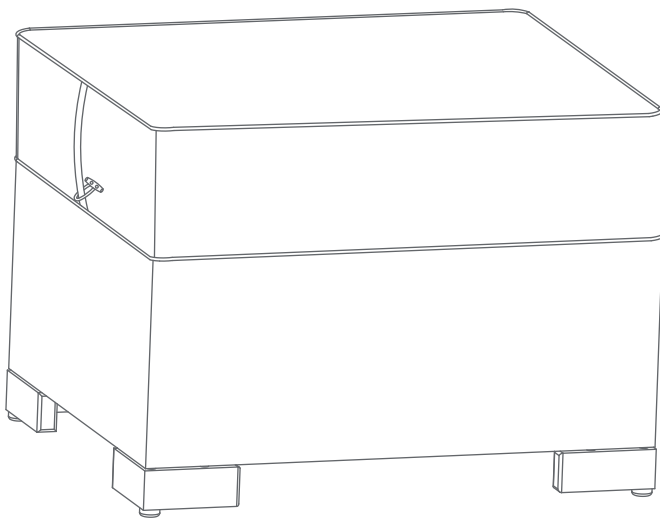
WARRANTY

# CANVAS<sup>TM/MC</sup>

## CAMBRIDGE 6-PIECE CONVERSATION/DINING SET

---

Model No. 088-2095-4



### ASSEMBLY INSTRUCTIONS

**Toll-free: 1-888-670-6684**

**IMPORTANT:** Please read this manual carefully before beginning assembly of this product.  
Keep this manual for future reference.



<b>Important Safety Instructions</b>	<b>3</b>
<b>Parts List</b>	<b>4</b>
<b>Assembly Preparation</b>	<b>5</b>
<b>Assembly</b>	<b>6</b>
<b>Cleaning and Maintenance</b>	<b>8</b>
<b>Specifications</b>	<b>8</b>
<b>Warranty</b>	<b>9</b>



Warning! To reduce the risk of serious injury, read the following safety instructions before assembling and using the ottoman.

**Caution! Always keep children under close supervision while they are using or around this product.**

- This product is intended for domestic, outdoor use only.
- The product should be placed on flat, horizontal ground.
- Any assembly or maintenance of the product must be carried out by adults only.
- Arrange necessary manpower when assembling or moving the product.
- Some parts may contain sharp edges. Wear protective gloves if necessary.
- Check all nuts and bolts periodically for tightness. When required, tighten them again.
- If the product will not be used for a long period of time (e.g., wintertime), it should be stored in a clean, dry environment.
- Do not light any fires inside or near the product!
- Do not hang any weights on the frame.
- Retain the original package to store the product.

**IMPORTANT:** RETAIN FOR FUTURE REFERENCE, AND READ CAREFULLY.

**4 Model No. 088-2095-4**

**FOR EASY ASSEMBLY, DO NOT COMPLETELY TIGHTEN BOLTS INTO THE FRAME UNTIL ALL BOLTS HAVE BEEN INSERTED FOR THAT PHASE OF ASSEMBLY. ONLY AT THE FINAL STEP OF ASSEMBLY, SECURELY TIGHTEN ALL BOLTS AND HARDWARE.**

**CAUTION!**

- Do not place the product underneath electrical lines.
- Keep children away during assembly.
- This product contains small parts which can be swallowed by children.
- Keep fingers away from places where they can be pinched or trapped.

**Let us help you!****DO NOT RETURN YOUR PRODUCT TO THE STORE. CALL US FIRST!**

1-888-670-6684

If you have questions regarding your product, require warranty assistance, or have damaged or missing parts, please call our customer service toll-free helpline. Contact us for assistance; we're here to help.

**IMPORTANT:** Please read and understand this manual before any assembly. Before beginning assembly of product, make sure all parts are present. Compare parts with packaging contents list. If any part is missing, or if you have any questions, contact the service centre at 1-888-670-6684 (toll free).

Place all parts from the box in a cleared area and position them on the floor in front of you. Remove all packing materials and place them back into the box. Do not dispose of the packing materials until assembly is complete. Read each step carefully before beginning any assembly and make sure you understand each step.

Needed for assembly:



2 people

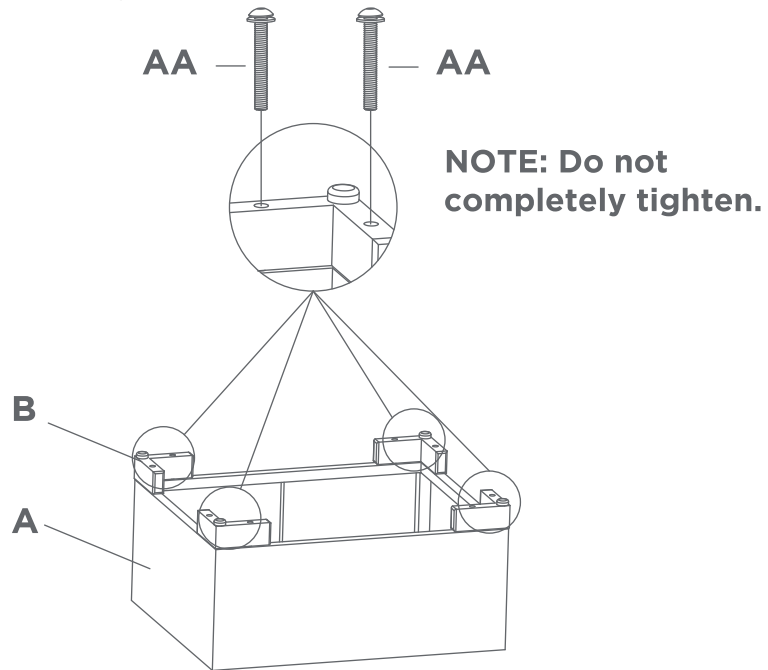


## 6 Model No. O88-2095-4

### Step 1

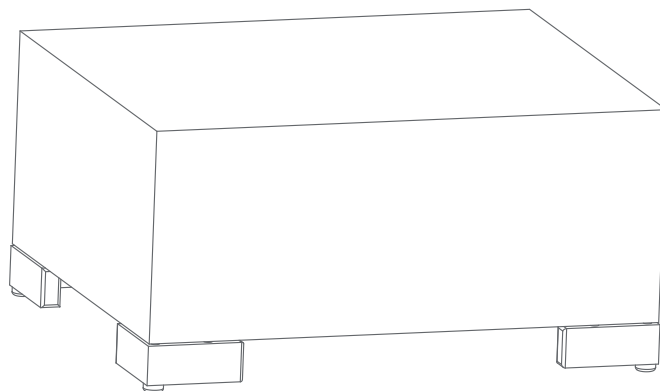
Requires **A, B, AA, BB**

Place the ottoman frame (A) on a soft, flat surface. Line up the bolt holes on ottoman frame (A) with the corresponding bolt holes on the leg (B). Insert M6x55 combination bolts and washers (AA) and tighten the bolts using the hex key (BB).



### Step 2

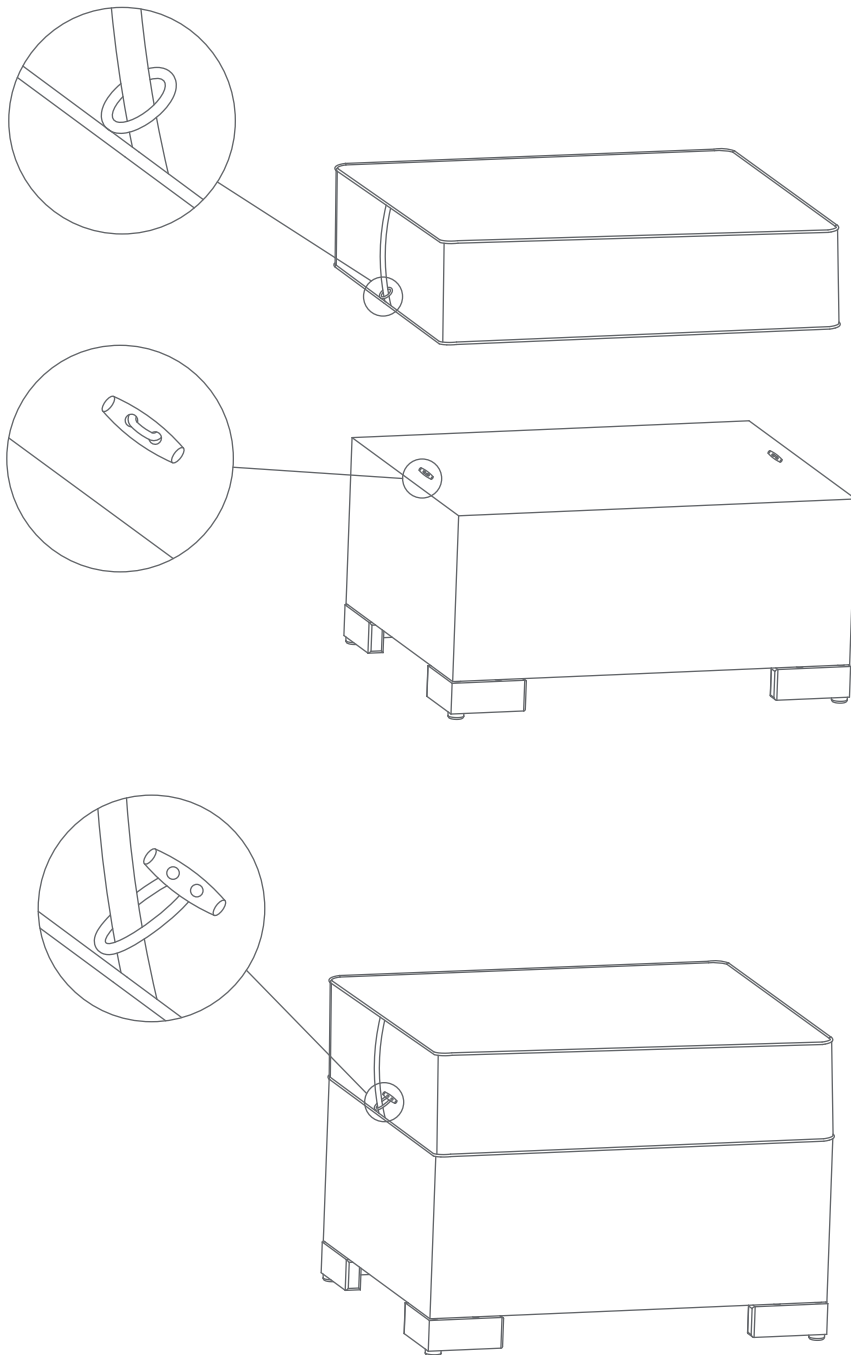
Turn the ottoman the correct way up.



## Step 3

Requires **A, C**

Pull the button up from the support bar under the ottoman seat (A), then attach to the small loop on the side of seat cushion (C) as shown.



## 8 Model No. 088-2095-4

**CAUTION!**

- Check all screws and nuts periodically for tightness, tightening them again as required.
- Disassemble the ottoman in the reverse order of the assembly steps.
- Always disassemble the ottoman completely. A partially disassembled ottoman is not stable enough to resist wind and bad weather, and therefore can be damaged and/or cause damage.
- Clean the ottoman with mild soap and water. Rinse thoroughly, and wait until the ottoman is completely dry before reassembling it.

- Always use a mild soap—never detergent.
  - Water should be cold to lukewarm—never more than 25°C (77°F).
- Steel components of garden accessories and furniture are treated with rust-inhibiting paint. However, due to the nature of steel, surface oxidation (rusting) will occur if this protective coating is scratched. This is a natural process. To minimize this condition, it is recommended that care be taken when assembling and handling the product in order to prevent the paint from being scratched. Surface rust can be removed easily using a very light application of common cooking oil. If surface oxidation (rusting) occurs and no measures are taken to correct it, the oxidation may start dripping onto the assembly surface, which may cause damaging stains that may be difficult to remove.

Dimensions (L x W x H)	17 5/8 x 21 5/8 x 10 3/4 in
	45 x 55 x 27.5 cm
Product weight	11 lbs
	5 kg
Weight Capacity	225 lbs
	102 kg

# CANVAS<sup>TM/MC</sup>

9

This CANVAS product carries a one (1) year warranty against defects in workmanship and materials. Trileaf Distribution agrees to replace a defective product free of charge, within the stated warranty period, when returned by the original purchaser with proof of purchase. This product is not guaranteed against wear or breakage due to misuse and/or abuse.

WARRANTY

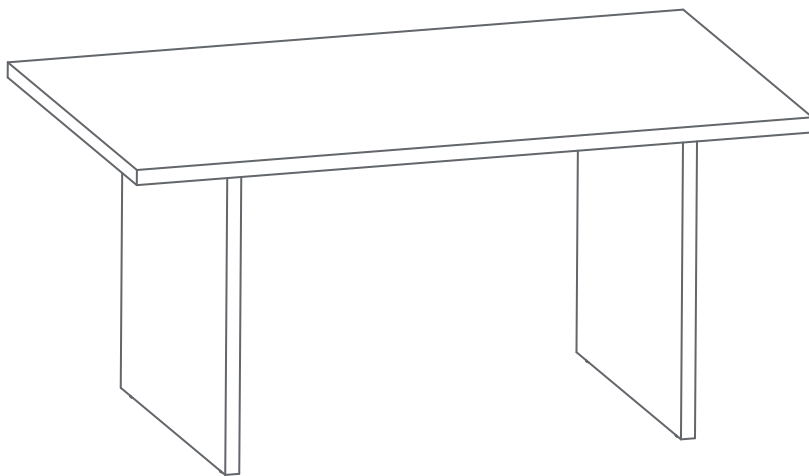
REMARQUE : Ne serrez pas complètement

# CANVAS<sup>TM/MC</sup>

## CAMBRIDGE 6-PIECE CONVERSATION/DINING SET

---

Model No. 088-2095-4



### ASSEMBLY INSTRUCTIONS

**Toll-free: 1-888-670-6684**

**IMPORTANT:** Please read this manual carefully before beginning assembly of this product.  
Keep this manual for future reference.

<b>Important Safety Instructions</b>	<b>3</b>
<b>Parts List</b>	<b>4</b>
<b>Assembly Preparation</b>	<b>5</b>
<b>Assembly</b>	<b>6</b>
<b>Cleaning and Maintenance</b>	<b>8</b>
<b>Specifications</b>	<b>8</b>
<b>Warranty</b>	<b>9</b>



Warning! To reduce the risk of serious injury, read the following safety instructions before assembling and using the table.

**Caution! Always keep children under close supervision while they are using or around this product.**

- This product is intended for domestic, outdoor use only.
- The product should be placed on flat, horizontal ground.
- Any assembly or maintenance of the product must be carried out by adults only.
- Arrange necessary manpower when assembling or moving the product.
- Some parts may contain sharp edges. Wear protective gloves if necessary.
- Check all nuts and bolts periodically for tightness. When required, tighten them again.
- If the product will not be used for a long period of time (e.g., wintertime), it should be stored in a clean, dry environment.
- Do not light any fires inside or near the product!
- Do not hang any weights on the frame.
- Retain the original package to store the product.



**FOR EASY ASSEMBLY, DO NOT COMPLETELY TIGHTEN BOLTS INTO THE FRAME UNTIL ALL BOLTS HAVE BEEN INSERTED FOR THAT PHASE OF ASSEMBLY. ONLY AT THE FINAL STEP OF ASSEMBLY, SECURELY TIGHTEN ALL BOLTS AND HARDWARE.**



**CAUTION!**

- Do not place the product underneath electrical lines.
- Keep children away during assembly.
- This product contains small parts which can be swallowed by children.
- Keep fingers away from places where they can be pinched or trapped.



**Let us help you!**

**DO NOT RETURN YOUR PRODUCT TO THE STORE. CALL US FIRST!**

1-888-670-6684

If you have questions regarding your product, require warranty assistance, or have damaged or missing parts, please call our customer service toll-free helpline. Contact us for assistance; we're here to help.

**IMPORTANT:** Please read and understand this manual before any assembly. Before beginning assembly of product, make sure all parts are present. Compare parts with packaging contents list. If any part is missing, or if you have any questions, contact the service centre at 1-888-670-6684 (toll free).

Place all parts from the box in a cleared area and position them on the floor in front of you. Remove all packing materials and place them back into the box. Do not dispose of the packing materials until assembly is complete. Read each step carefully before beginning any assembly and make sure you understand each step.

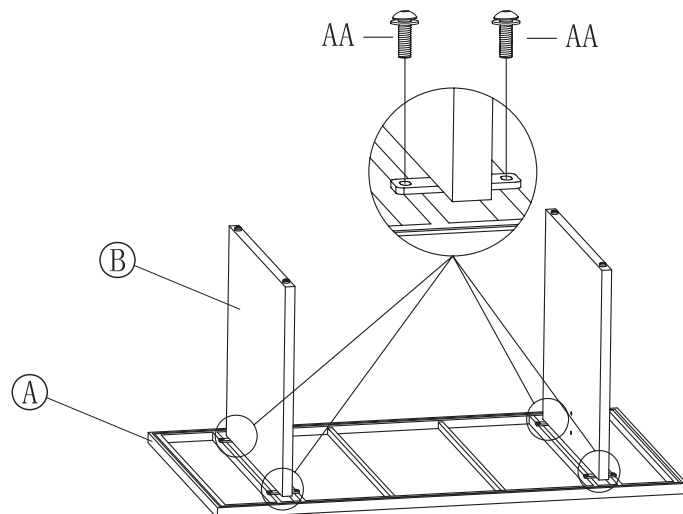
Needed for assembly:



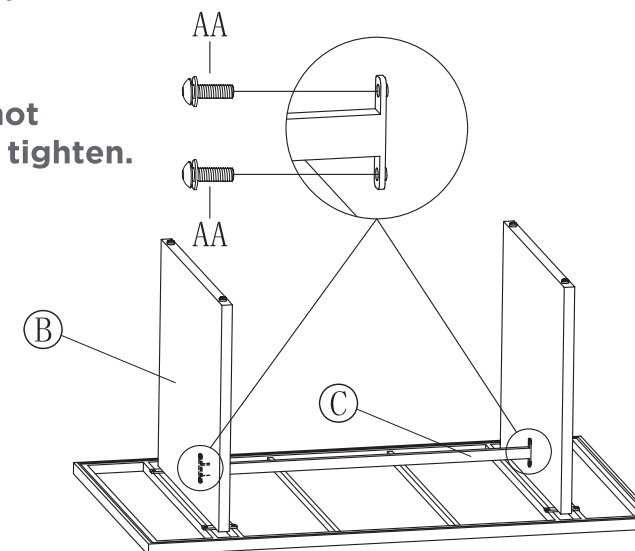
2 people

**Step 1**Requires **A, B, AA, BB**

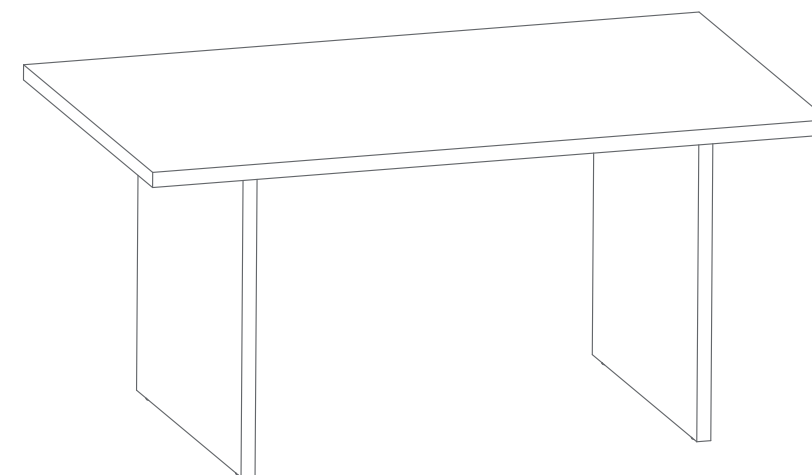
Place the table top (A) on a soft, flat surface. Line up the bolt holes on the table top (A) with the corresponding bolt holes on the side panel (B). Insert M6x20 combination bolts and washers (AA) and lightly tighten the bolts using the hex key (BB). Do not completely tighten until all assembly is completed.

**NOTE: Do not completely tighten.****Step 2**Requires **B, C, AA, BB**

Attach the connector (C) to the 2 side panels (B). Line up the bolt holes on the connector (C) with the corresponding bolt holes on the side panel (B). Insert M6x20 combination bolts and washers (AA) and lightly tighten the bolts using the hex key (BB).

**NOTE: Do not completely tighten.****Step 3**Requires **BB**

Ensure all bolts are securely tightened using the hex key (BB). Turn the table the correct way up. Your table is now complete and ready to use.





**CAUTION!**

- Check all screws and nuts periodically for tightness, tightening them again as required.
- Disassemble the table in the reverse order of the assembly steps.
- Always disassemble the table completely. A partially disassembled table is not stable enough to resist wind and bad weather, and therefore can be damaged and/or cause damage.
- Clean the table with mild soap and water. Rinse thoroughly, and wait until the table is completely dry before reassembling it.

- Always use a mild soap—never detergent.
  - Water should be cold to lukewarm—never more than 25°C (77°F).
- Steel components of garden accessories and furniture are treated with rust-inhibiting paint. However, due to the nature of steel, surface oxidation (rusting) will occur if this protective coating is scratched. This is a natural process. To minimize this condition, it is recommended that care be taken when assembling and handling the product in order to prevent the paint from being scratched. Surface rust can be removed easily using a very light application of common cooking oil. If surface oxidation (rusting) occurs and no measures are taken to correct it, the oxidation may start dripping onto the assembly surface, which may cause damaging stains that may be difficult to remove.

Dimensions (L x W x H) 56 7/8 x 34 x 27 7/8 in

144.5 x 86.5 x 71 cm

Product weight

57 lbs 5 oz

26 kg

Weight Capacity

100 lbs

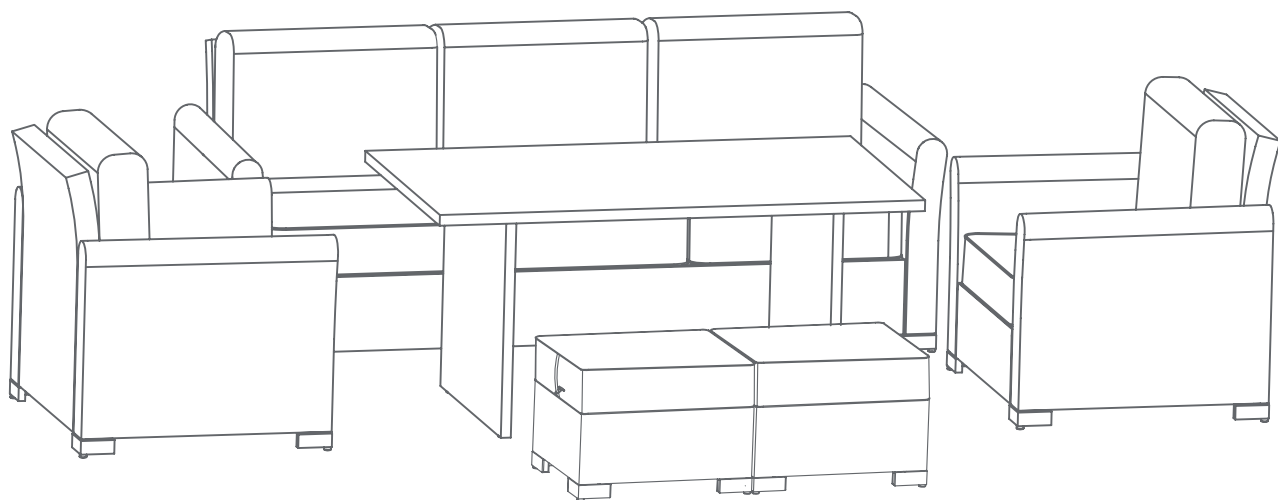
45 kg

This CANVAS product carries a one (1) year warranty against defects in workmanship and materials. Trileaf Distribution agrees to replace a defective product free of charge, within the stated warranty period, when returned by the original purchaser with proof of purchase. This product is not guaranteed against wear or breakage due to misuse and/or abuse.

# CANVAS<sup>TM/MC</sup>

## ENSEMBLE DE DÉTENTE/ SALLE À MANGER DE 6 PIÈCES CAMBRIDGE

Modèle n° 088-2095-4



### INSTRUCTIONS D'ASSEMBLAGE

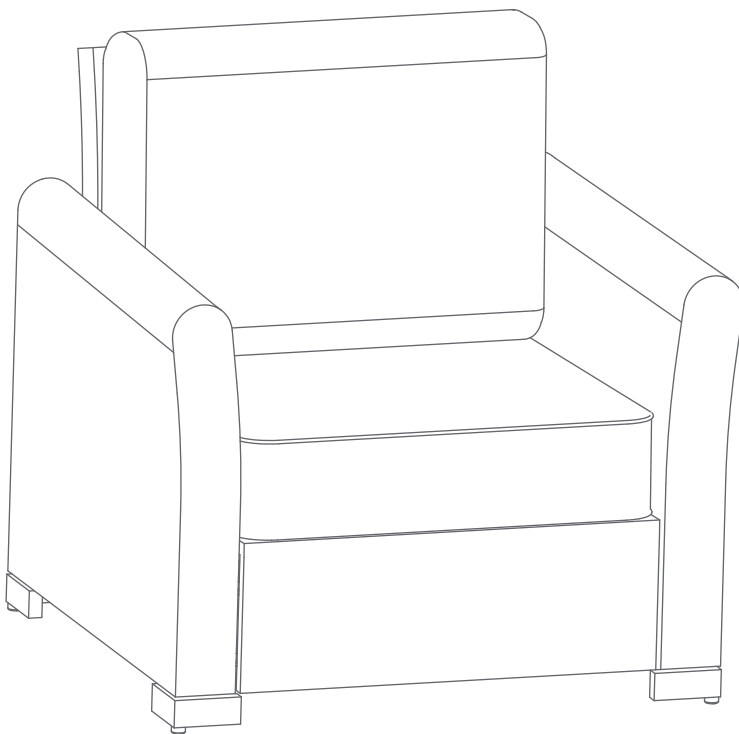
**Numéro sans frais : 1 888 670-6684**

**IMPORTANT :** Veuillez lire attentivement ce guide avant de procéder à l'assemblage de ce produit et le conserver aux fins de consultation ultérieure.

# CANVAS<sup>TM/MC</sup>

## ENSEMBLE DE DÉTENTE/ SALLE À MANGER DE 6 PIÈCES CAMBRIDGE

Modèle n° 088-2095-4



### INSTRUCTIONS D'ASSEMBLAGE

**Numéro sans frais : 1 888 670-6684**

**IMPORTANT :** Veuillez lire attentivement ce guide avant de procéder à l'assemblage de ce produit et le conserver aux fins de consultation ultérieure.



Consignes de sécurité importantes	3
Liste des pièces	4
Préparation à l'assemblage	5
Assemblage	6
Nettoyage et entretien	10
Caractéristiques techniques	10
Garantie	11



Avertissement! Pour réduire tout risque de blessures graves, veuillez lire les consignes de sécurité suivantes avant l'assemblage et l'utilisation du fauteuil.

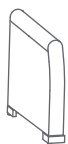
**Attention! Surveillez toujours de près les enfants pendant qu'ils utilisent le produit ou se trouvent à proximité.**

- Ce produit est conçu pour une utilisation résidentielle à l'extérieur uniquement.
- Le produit doit être placé sur un sol plat et horizontal.
- Tout assemblage ou entretien du produit doit être effectué par des adultes uniquement.
- Faites appel au nombre de personnes nécessaire pour assembler ou déplacer le produit.
- Certaines pièces peuvent présenter des bords tranchants. Portez des gants de protection au besoin.
- Vérifiez tous les écrous et boulons régulièrement pour vous assurer qu'ils sont bien serrés. Serrez-les à nouveau au besoin.
- Si le produit n'est pas utilisé pendant une longue période (pendant l'hiver, par exemple), il doit être rangé dans un endroit propre et sec.
- N'allumez pas de feu à l'intérieur ou à proximité du produit!
- Ne suspendez pas de poids sur l'unité.
- Conservez l'emballage original pour entreposer le produit.

**IMPORTANT :** Lisez attentivement ce guide et conservez-le aux fins de consultation ultérieure.

**4** Modèle n° 088-2095-4**A**

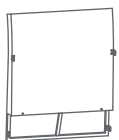
Accoudoir droit - 1

**B**

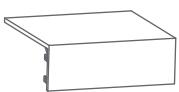
Accoudoir gauche - 1

**C**

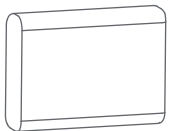
Armature de dossier - 1

**D**

Armature de siège - 1

**E**

Coussin de dossier - 1

**F**

Coussin de siège - 1

**AA**

Boulon M6x20 avec rondelle - 8

**BB**

Boulon M6x45 avec rondelle - 2

**CC**

Clé hexagonale - 1



**POUR FACILITER L'ASSEMBLAGE, NE SERREZ PAS COMPLÈTEMENT LES BOULONS DANS L'ARMATURE AVANT QU'ILS NE SOIENT TOUS INSÉRÉS POUR CETTE PHASE DE L'ASSEMBLAGE. ATTENDEZ LA DERNIÈRE ÉTAPE DE L'ASSEMBLAGE POUR BIEN SERRER TOUS LES BOULONS ET LA QUINCAILLERIE.**

**ATTENTION!**

- Ne placez pas le produit sous des câbles électriques.
- Gardez les enfants éloignés pendant l'assemblage.
- Ce produit contient des petites pièces que les enfants pourraient avaler.
- Éloignez les doigts des endroits où ils peuvent être pincés ou coincés.

**Laissez-nous vous aider!****VEUILLEZ NE PAS RETOURNER LE PRODUIT AU MAGASIN.****APPELEZ-NOUS D'ABORD!** 1 888 670-6684

Si vous avez des questions concernant le produit, avez besoin d'une assistance relative à la garantie ou avez des pièces endommagées ou manquantes, veuillez communiquer avec notre service à la clientèle grâce à la ligne d'assistance sans frais. Veuillez nous contacter pour toute assistance; nous sommes là pour vous aider.

**IMPORTANT :** Veuillez lire et comprendre ce guide avant de tenter tout assemblage. Avant de procéder à l'assemblage du produit, assurez-vous qu'il ne manque aucune pièce. Comparez les pièces à la liste du contenu de l'emballage. Pour toute pièce manquante ou pour toute question, veuillez communiquer avec le centre de service au 1 888 670-6684 (sans frais).

Placez toutes les pièces de la boîte dans un endroit dégagé et positionnez-les sur le sol devant vous. Retirez tous les matériaux d'emballage et replacez-les dans la boîte. Ne vous débarrassez pas des matériaux d'emballage avant d'avoir terminé l'assemblage. Lisez chaque étape attentivement avant de commencer l'assemblage et assurez-vous de toutes les comprendre.

Requis pour l'assemblage :



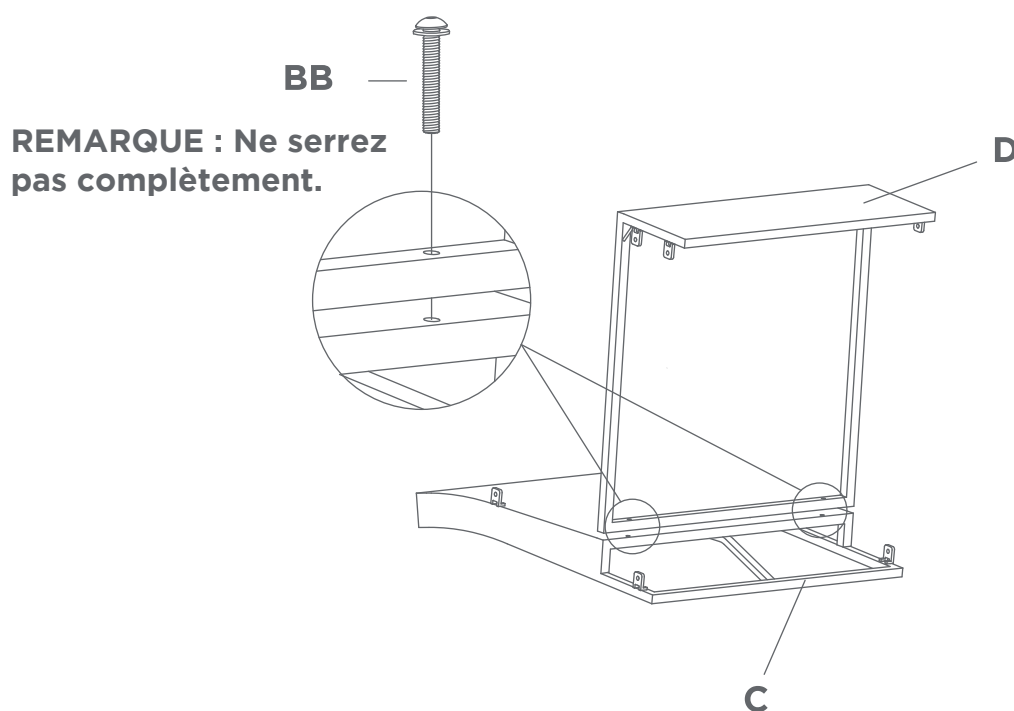
2 personnes

## 6 Modèle n° 088-2095-4

### Étape 1

Requiert **C, D, BB, CC**

Placez l'armature de siège (C) sur une surface plane et molle. Alignez les trous de boulon de l'armature du dossier (C) avec les trous de boulon correspondants de l'armature de siège (D). Insérez les boulons M6x45 avec rondelles (BB) et serrez légèrement les boulons à l'aide de la clé hexagonale (CC). Ne serrez pas complètement avant que l'assemblage soit terminé

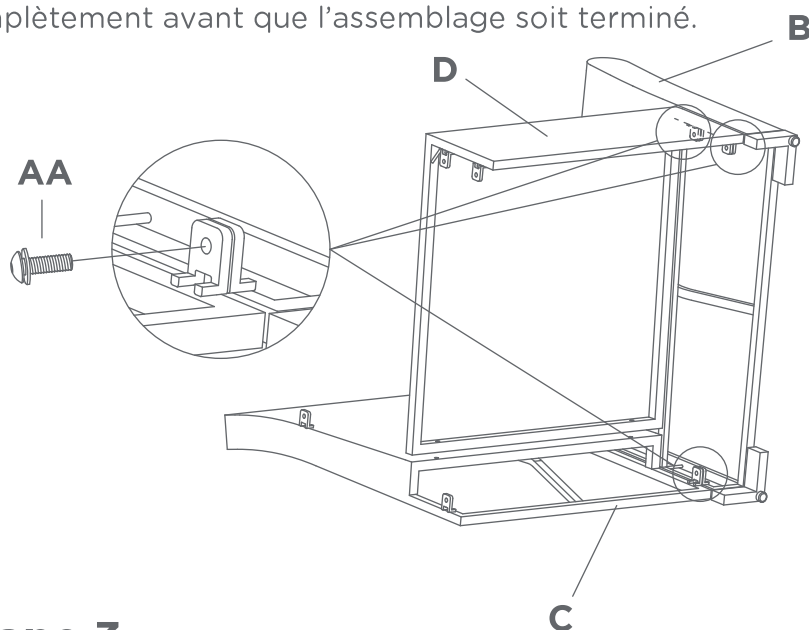




## Étape 2

Requiert **B, C, D, AA, CC**

Fixez l'accoudoir gauche (B) à l'armature de siège (D) et à l'armature de dossier (C). Alignez les trous de boulon de l'accoudoir gauche (B) avec les trous de boulon correspondants de l'armature de siège (D) et de l'armature de dossier (C). Insérez les boulons M6x20 avec rondelles (AA) et serrez légèrement les boulons à l'aide de la clé hexagonale (CC). Ne serrez pas complètement avant que l'assemblage soit terminé.

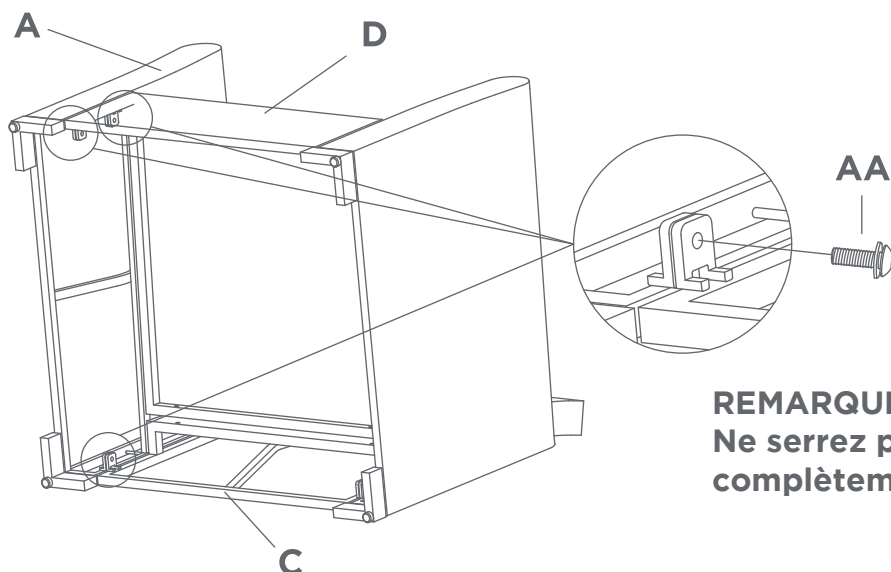


**REMARQUE :**  
Ne serrez pas complètement

## Étape 3

Requiert **A, C, D, AA, CC**

Répétez la même étape pour l'accoudoir droit (A)

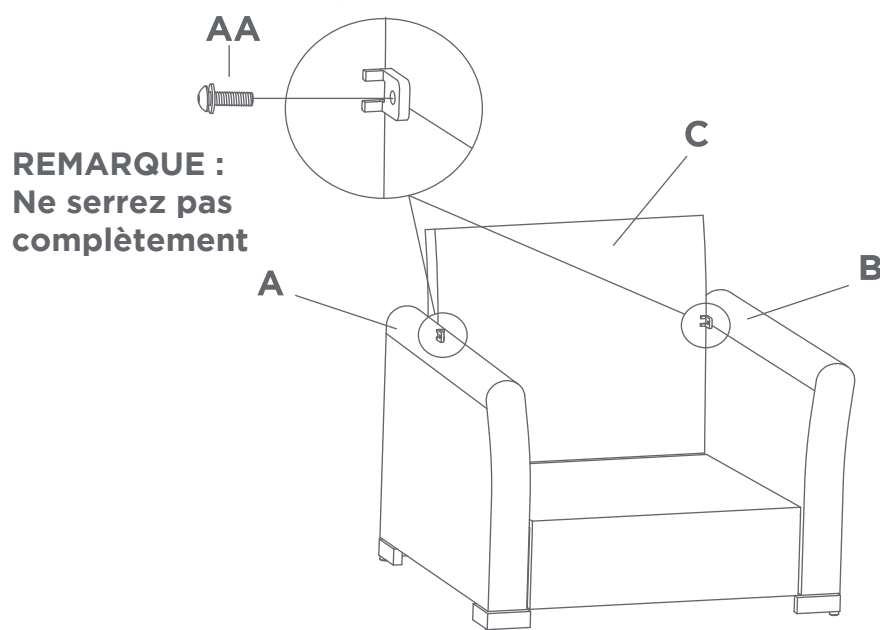


**REMARQUE :**  
Ne serrez pas complètement

**8** Modèle n° 088-2095-4**Étape 4**

Requiert **A, B, C, AA, CC**

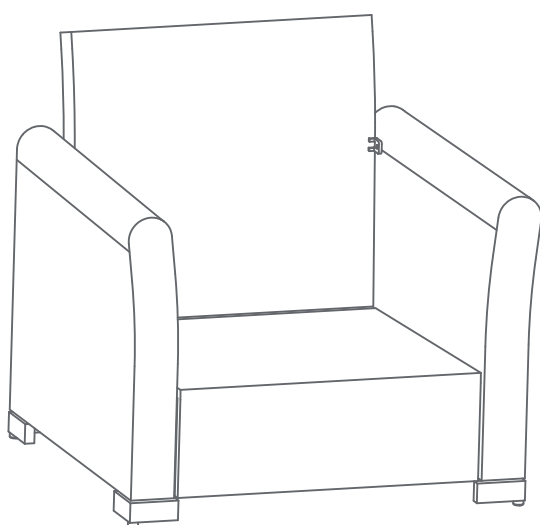
Insérez les boulons mixte M6x20 et rondelles (AA) pour fixer solidement l'armature de dossier (C) à l'accoudoir gauche (B) et l'accoudoir droit (A). Serrez légèrement les boulons avec la clé hexagonale (CC).



## Étape 5

Requiert **CC**

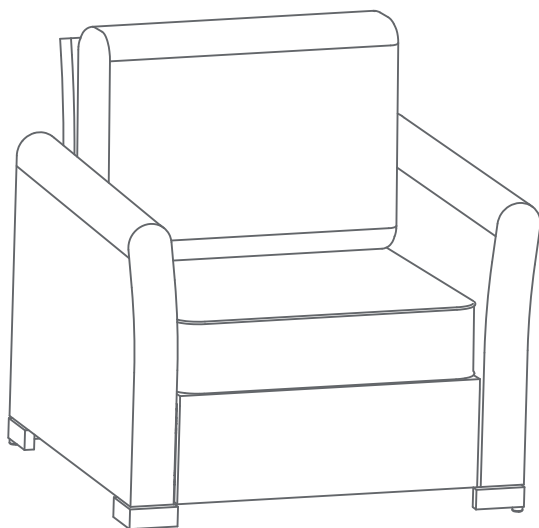
Assurez-vous que tous les boulons sont complètement serrés à l'aide de la clé hexagonale (CC). Redressez le fauteuil.



## Étape 6

Requiert **E, F**

Placez le coussin de siège (F) et le coussin de dossier (E) sur le fauteuil. Votre fauteuil est désormais assemblé et prêt à être utilisé.



## 10 Modèle n° 088-2095-4

**ATTENTION!**

- Vérifiez tous les écrous et vis régulièrement pour vous assurer qu'ils sont serrés, et resserrez-les au besoin.
- Démontez le fauteuil dans l'ordre inverse des étapes de l'assemblage.
- Démontez toujours complètement le fauteuil. Un fauteuil partiellement démonté n'est pas suffisamment stable pour résister au vent et aux intempéries et peut donc être endommagé et/ou entraîner des dommages.
- Nettoyez le fauteuil à l'eau et au savon doux. Rincez soigneusement et attendez que le fauteuil soit sec avant de l'assembler à nouveau.

- Nettoyez le fauteuil avec du savon doux. N'utilisez pas de détergent. L'eau doit être tiède : à 25 °C (77 °F) ou moins.
- Les composants en acier des accessoires et du mobilier de jardin sont traités avec une peinture antirouille. Toutefois, en raison de la nature de l'acier, l'oxydation de la surface (rouille) se produira si ce revêtement protecteur est éraflé. Il s'agit d'un processus naturel. Afin de le minimiser, il est recommandé de faire preuve de précaution au cours de l'assemblage et de la manutention du produit, pour éviter d'en érafler la peinture. La rouille de la surface peut être facilement enlevée en utilisant une légère application d'une huile de cuisson ordinaire. Si la surface s'est oxydée (rouille) et qu'aucune mesure n'est prise pour éliminer cette oxydation, elle pourrait commencer à dégoutter sur la surface d'assemblage, ce qui pourrait causer des taches difficiles à enlever.

Dimensions (long. x larg. x H.)

34 1/4 x 31 1/4 x 32 3/8 po

87 x 79,5 x 82,5 cm

Poids du produit

44 lb

20 kg

Capacité

250 lb

113 kg

# CANVAS<sup>TM/MC</sup>

11

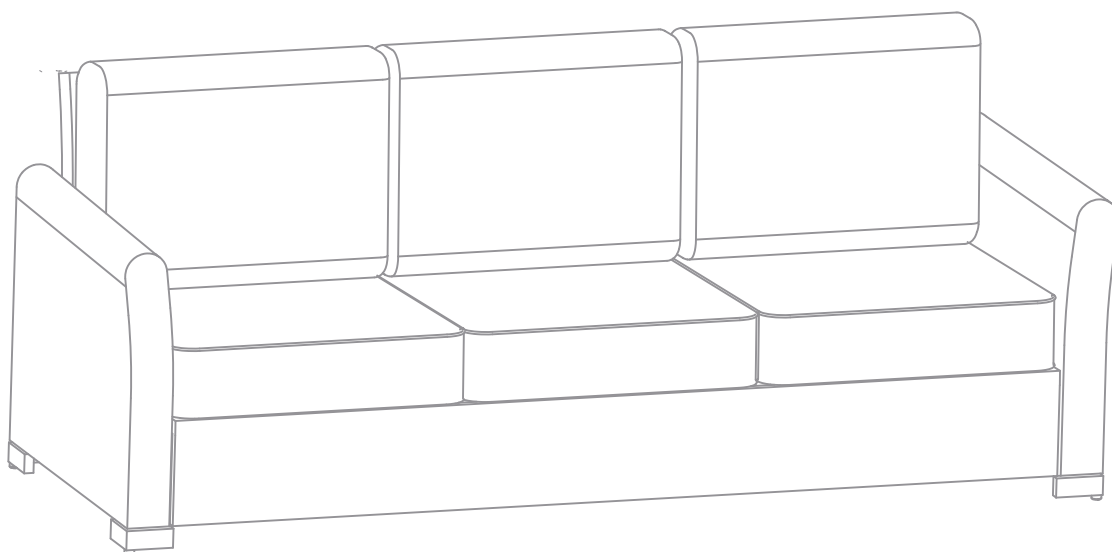
Ce produit CANVAS est couvert par une garantie d'un (1) an contre les défauts de fabrication et de matériaux. Trileaf Distribution accepte de remplacer gratuitement le produit défectueux pendant la période précisée dans la garantie, lorsqu'il est retourné par l'acheteur original accompagné d'une preuve d'achat. La garantie ne couvre pas ce produit contre l'usure ou le bris causé par un mauvais usage ou un usage abusif.

**GARANTIE**

# CANVAS<sup>TM/MC</sup>

## ENSEMBLE DE DÉTENTE /SALLE À MANGER DE 6 PIÈCES CAMBRIDGE

Modèle n° 088-2095-4



### INSTRUCTIONS D'ASSEMBLAGE

**Numéro sans frais : 1 888 670-6684**

IMPORTANT : Veuillez lire attentivement ce guide avant de procéder à l'assemblage de ce produit et le conserver aux fins de consultation ultérieure.

Fabriqué en Chine. Importé par Trileaf Distribution Trifeuil Toronto, Canada, M4S 2B8

# CANVAS<sup>TM/MC</sup> 3

Consignes de sécurité importantes	3
Liste des pièces	4
Préparation à l'assemblage	5
Assemblage	6
Nettoyage et entretien	10
Caractéristiques techniques	10
Garantie	11



Avertissement! Pour réduire tout risque de blessures graves, veuillez lire les consignes de sécurité suivantes avant l'assemblage et l'utilisation du canapé.

**Attention! Surveillez toujours de près les enfants pendant qu'ils utilisent le produit ou se trouvent à proximité.**

- Ce produit est conçu pour une utilisation résidentielle à l'extérieur uniquement.
- Le produit doit être placé sur un sol plat et horizontal.
- Tout assemblage ou entretien du produit doit être effectué par des adultes uniquement.
- Faites appel au nombre de personnes nécessaire pour assembler ou déplacer le produit.
- Certaines pièces peuvent présenter des bords tranchants. Portez des gants de protection au besoin.
- Vérifiez tous les écrous et boulons régulièrement pour vous assurer qu'ils sont bien serrés. Serrez-les à nouveau au besoin.
- Si le produit n'est pas utilisé pendant une longue période (pendant l'hiver, par exemple), il doit être rangé dans un endroit propre et sec.
- N'allumez pas de feu à l'intérieur ou à proximité du produit!
- Ne suspendez pas de poids sur l'unité.
- Conservez l'emballage original pour entreposer le produit.

**IMPORTANT :** Lisez attentivement ce guide et conservez-le aux fins de consultation ultérieure.



**4 Modèle n° 088-2095-4**

**A**

Accoudoir droit - 1



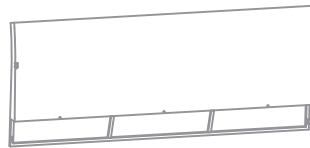
**B**

Accoudoir gauche - 1



**C**

Armature de dossier - 1



**D**

Armature de siège - 1



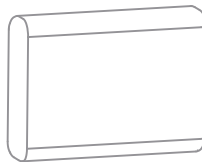
**E**

Patte du milieu - 2



**F**

Coussin de dossier - 3



**G**

Coussin de siège - 3



**AA**

Boulon M6x20 avec rondelle - 12



**BB**

Boulon M6x45 avec rondelle - 3



**CC**

Clé hexagonale - 1



**POUR FACILITER L'ASSEMBLAGE, NE SERREZ PAS COMPLÈTEMENT LES BOULONS DANS L'ARMATURE AVANT QU'ILS NE SOIENT TOUS INSÉRÉS POUR CETTE PHASE DE L'ASSEMBLAGE. ATTENDEZ LA DERNIÈRE ÉTAPE DE L'ASSEMBLAGE POUR BIEN SERRER TOUS LES BOULONS ET LA QUINCAILLERIE.**



## ATTENTION!

- Ne placez pas le produit sous des câbles électriques.
- Gardez les enfants éloignés pendant l'assemblage.
- Ce produit contient des petites pièces que les enfants pourraient avaler.
- Éloignez les doigts des endroits où ils peuvent être pincés ou coincés.



## Laissez-nous vous aider!

**VEUILLEZ NE PAS RETOURNER LE PRODUIT AU MAGASIN.  
APPELEZ-NOUS D'ABORD!**

1 888 670-6684

Si vous avez des questions concernant le produit, avez besoin d'une assistance relative à la garantie ou avez des pièces endommagées ou manquantes, veuillez communiquer avec notre service à la clientèle grâce à la ligne d'assistance sans frais. Veuillez nous contacter pour toute assistance; nous sommes là pour vous aider.

**IMPORTANT:** Veuillez lire et comprendre ce guide avant de tenter tout assemblage. Avant de procéder à l'assemblage du produit, assurez-vous qu'il ne manque aucune pièce. Comparez les pièces à la liste du contenu de l'emballage. Pour toute pièce manquante ou pour toute question, veuillez communiquer avec le centre de service au 1 888 670-6684 (sans frais).

Placez toutes les pièces de la boîte dans un endroit dégagé et positionnez-les sur le sol devant vous. Retirez tous les matériaux d'emballage et replacez-les dans la boîte. Ne vous débarrassez pas des matériaux d'emballage avant d'avoir terminé l'assemblage. Lisez chaque étape attentivement avant de commencer l'assemblage et assurez-vous de toutes les comprendre.

Requis pour l'assemblage :



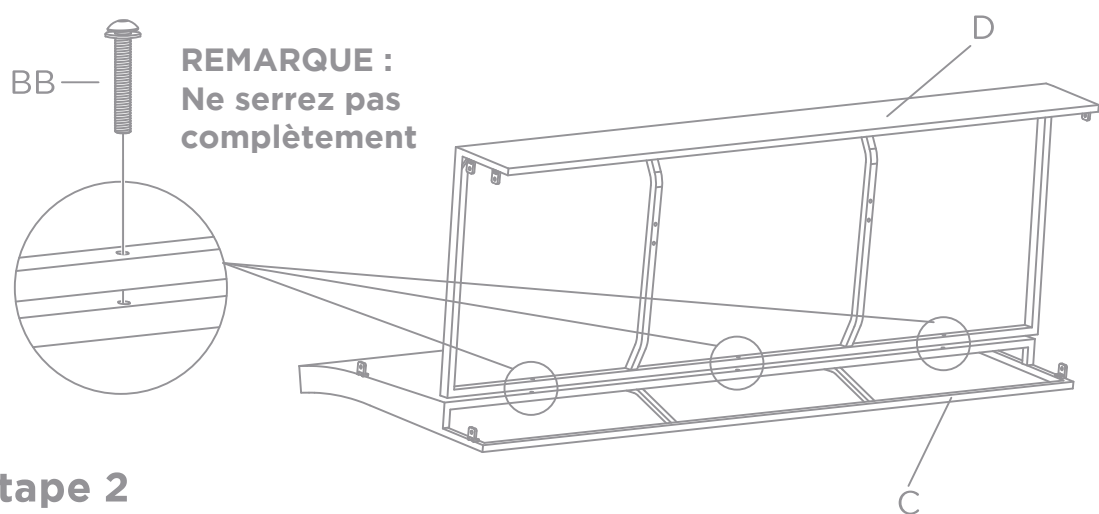
2 personnes

## 6 Modèle n° 088-2095-4

### Étape 1

Requiert **C, D, BB, CC**

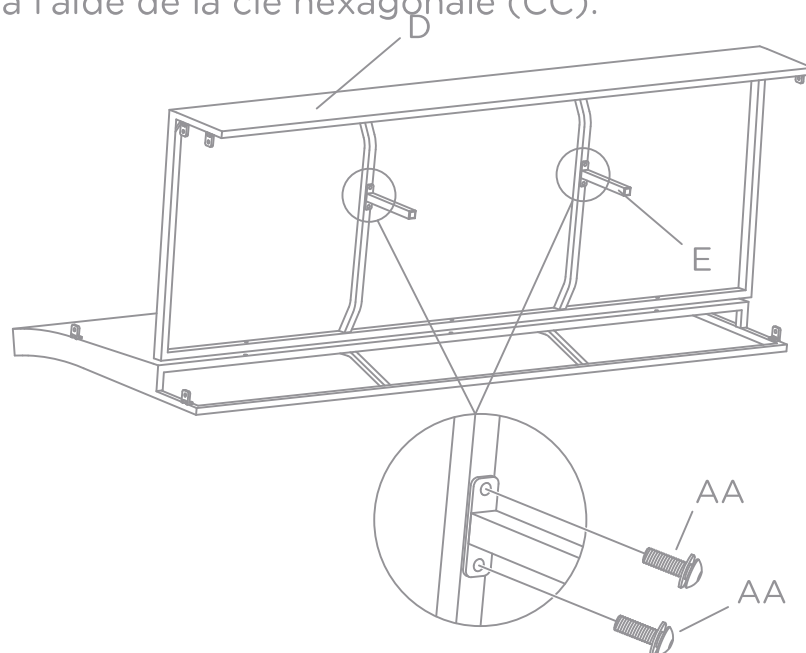
Placez l'armature de siège (C) sur une surface plane et molle. Alignez les trous de boulon de l'armature du dossier (C) avec les trous de boulon correspondants de l'armature de siège (D). Insérez les boulons M6x45 avec rondelles (BB) et serrez légèrement les boulons à l'aide de la clé hexagonale (CC). Ne serrez pas complètement avant que l'assemblage soit terminé.



### Étape 2

Requiert **D, E, AA, CC**

Fixez les pattes du milieu (E) au tube de soutien sous l'armature du siège (D). Insérez les boulons M6x20 avec rondelles (AA) et serrez les boulons à l'aide de la clé hexagonale (CC).



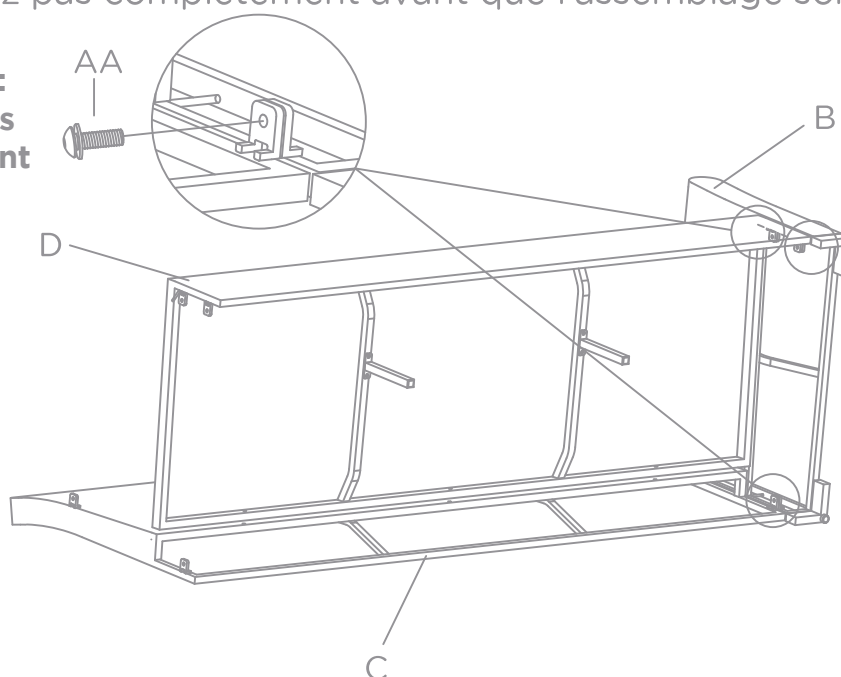
**REMARQUE :**  
Ne serrez pas  
complètement

### Étape 3

Requiert **B, C, D, AA, CC**

Fixez l'accoudoir gauche (B) à l'armature de siège (D) et à l'armature de dossier (C). Alignez les trous de boulon de l'accoudoir gauche (B) avec les trous de boulon correspondants de l'armature de siège (D) et de l'armature de dossier (C). Insérez les boulons M6x20 avec rondelles (AA) et serrez légèrement les boulons à l'aide de la clé hexagonale (CC). Ne serrez pas complètement avant que l'assemblage soit terminé.

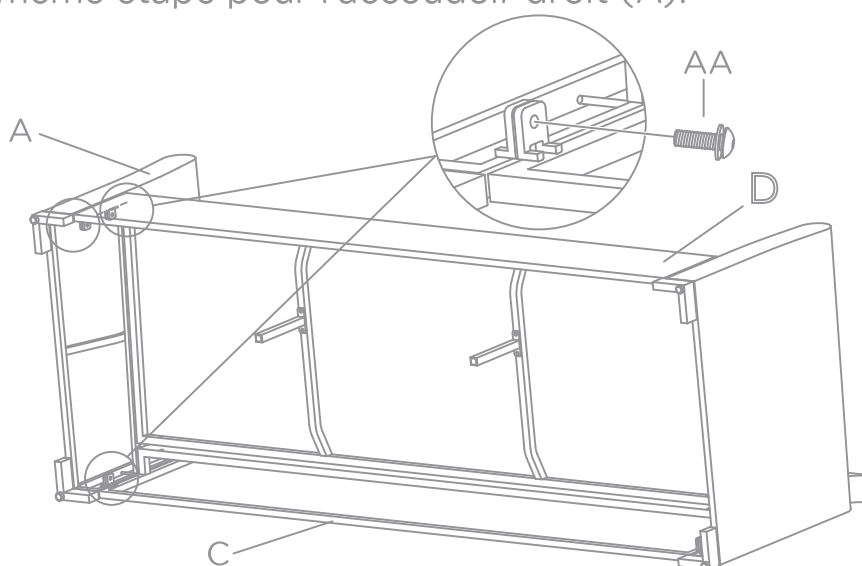
**REMARQUE :**  
Ne serrez pas  
complètement



### Étape 4

Requiert **A, C, D, AA, CC**

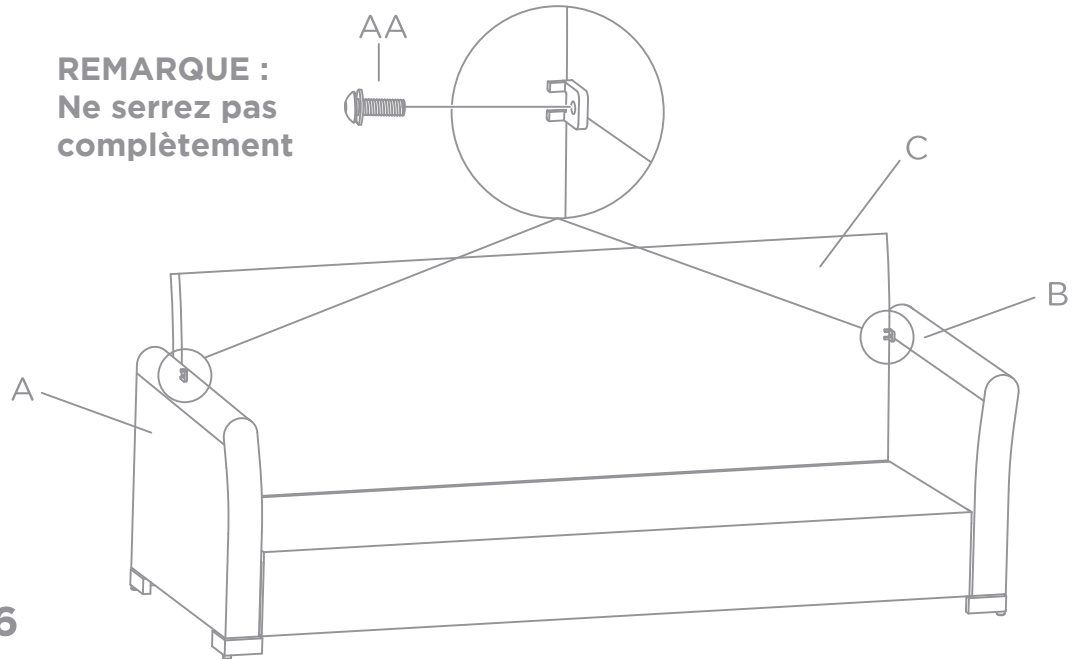
Répétez la même étape pour l'accoudoir droit (A).



**REMARQUE :** Ne serrez pas complètement

**8** Modèle n° 088-2095-4**Étape 5**Requiert **A, B, C, AA, CC**

Insérez un boulon M6x20 avec rondelle (AA) pour fixer solidement l'armature de dossier (C) à l'accoudoir gauche (B) et l'accoudoir droit (A). Serrez légèrement les boulons avec la clé hexagonale

**Étape 6**Requiert **CC**

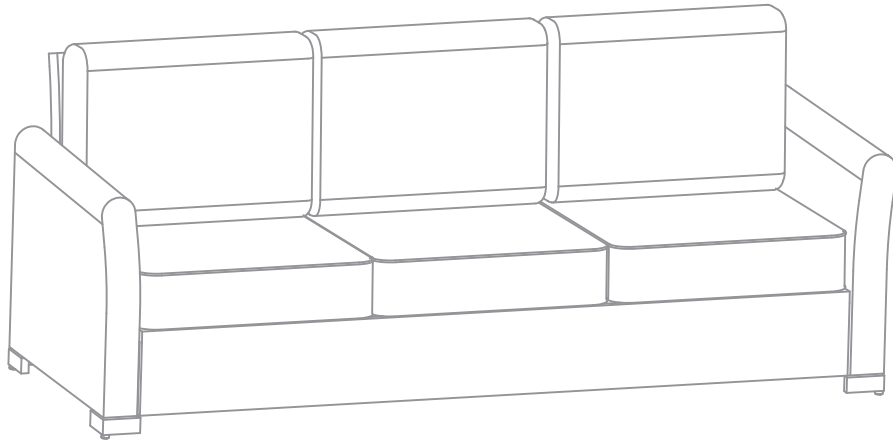
Assurez-vous que tous les boulons sont complètement serrés à l'aide de la clé hexagonale (CC). Redressez le canapé.



## Étape 7

Requiert **F, G**

Placez les coussins de siège (G) et les coussins de dossier (F) sur le canapé. Votre canapé est désormais assemblé et prêt à être utilisé.



## 10 Modèle n° 088-2095-4

**ATTENTION!**

- Vérifiez tous les vis et écrous régulièrement pour voir s'ils sont serrés, et resserrez-les au besoin.
- Démontez le canapé dans l'ordre inverse des étapes de l'assemblage.
- Démontez toujours complètement le canapé. Un canapé partiellement démonté n'est pas suffisamment stable pour résister au vent et aux intempéries et peut donc être endommagé ou entraîner des dommages.
- Nettoyez le canapé à l'eau et au savon doux. Rincez soigneusement et attendez que le produit soit sec avant de l'assembler à nouveau.

- Pour laver les pièces en tissu :
  - Étalez le tissu et utilisez une brosse à poils doux pour le nettoyer.
  - Utilisez toujours un savon doux, jamais de détergent.
  - L'eau doit toujours être froide ou tiède, jamais plus chaude que 25 °C (77 °F)
  - Séchez à l'air uniquement, ne culbutez pas dans une machine à laver et n'essorez pas à la main.
- N'utilisez pas de javellisant, d'acide ou tout autre nettoyant abrasif sur la toile ou les pièces de l'armature.
- Les composants en acier des accessoires et du mobilier de jardin sont traités avec une peinture antirouille. Toutefois, en raison de la nature de l'acier, l'oxydation de la surface (rouille) se produira si ce revêtement protecteur est éraflé. Il s'agit d'un processus naturel. Afin de le minimiser, il est recommandé de faire preuve de précaution au cours de l'assemblage et de la manutention du produit, pour éviter d'en érafler la peinture. La rouille de la surface peut être facilement enlevée en utilisant une légère application d'une huile de cuisson ordinaire. Si la surface s'est oxydée (rouille) et qu'aucune mesure n'est prise pour éliminer cette oxydation, elle pourrait commencer à couler sur la surface d'assemblage, ce qui pourrait causer des taches difficiles à enlever.

Dimensions	84 1/2 x 31 1/4 x 32 3/8 po
	214 x 79,5 x 82,5 cm
Poids du produit	83 lb 7 oz
	38 kg
Capacité de poids	250 lb par siège
	113 kg par siège

# CANVAS<sup>TM/MC</sup> 11

Ce produit CANVAS est couvert par une garantie d'un (1) an contre les défauts de fabrication et de matériaux. Trileaf Distribution accepte de remplacer gratuitement le produit défectueux pendant la période précisée dans la garantie, lorsqu'il est retourné par l'acheteur original accompagné d'une preuve d'achat. La garantie ne couvre pas ce produit contre l'usure ou le bris causé par un mauvais usage ou un usage abusif.

**GARANTIE**

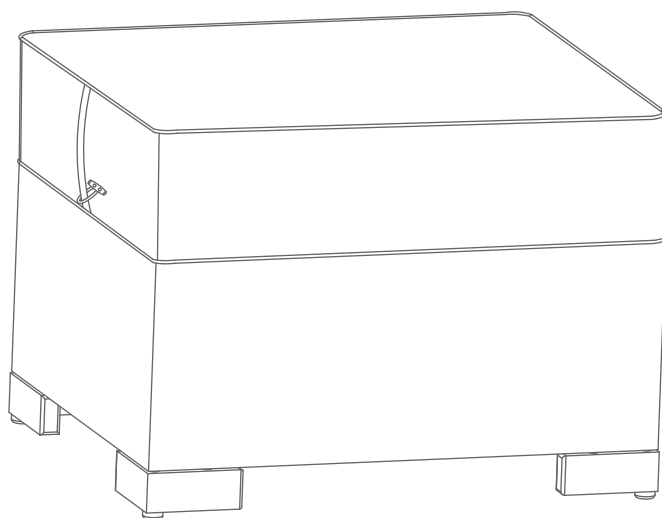


# CANVAS<sup>TM/MC</sup>

## ENSEMBLE DE DÉTENTE/ SALLE À MANGER DE 6 PIÈCES CAMBRIDGE

---

Modèle n° 088-2095-4



### INSTRUCTIONS D'ASSEMBLAGE

**Numéro sans frais : 1 888 670-6684**

**IMPORTANT :** Veuillez lire attentivement ce guide avant de procéder à l'assemblage de ce produit et le conserver aux fins de consultation ultérieure.



Consignes de sécurité importantes	3
Liste des pièces	4
Préparation à l'assemblage	5
Assemblage	6
Nettoyage et entretien	8
Caractéristiques techniques	8
Garantie	9



Avertissement! Pour réduire tout risque de blessures graves, veuillez lire les consignes de sécurité suivantes avant l'assemblage et l'utilisation du poof.

**Attention! Surveillez toujours de près les enfants pendant qu'ils utilisent le produit ou se trouvent à proximité.**

- Ce produit est conçu pour une utilisation résidentielle à l'extérieur uniquement.
- Le produit doit être placé sur un sol plat et horizontal.
- Tout assemblage ou entretien du produit doit être effectué par des adultes uniquement.
- Faites appel au nombre de personnes nécessaire pour assembler ou déplacer le produit.
- Certaines pièces peuvent présenter des bords tranchants. Portez des gants de protection au besoin.
- Vérifiez tous les écrous et boulons régulièrement pour vous assurer qu'ils sont bien serrés. Serrez-les à nouveau au besoin.
- Si le produit n'est pas utilisé pendant une longue période (pendant l'hiver, par exemple), il doit être rangé dans un endroit propre et sec.
- N'allumez pas de feu à l'intérieur ou à proximité du produit!
- Ne suspendez pas de poids sur l'unité.
- Conservez l'emballage original pour entreposer le produit.

**IMPORTANT :** Lisez attentivement ce guide et conservez-le aux fins de consultation ultérieure.

**4** Modèle n° 088-2095-4

**POUR FACILITER L'ASSEMBLAGE, NE SERREZ PAS COMPLÈTEMENT LES BOULONS DANS L'ARMATURE AVANT QU'ILS NE SOIENT TOUS INSÉRÉS POUR CETTE PHASE DE L'ASSEMBLAGE. ATTENDEZ LA DERNIÈRE ÉTAPE DE L'ASSEMBLAGE POUR BIEN SERRER TOUS LES BOULONS ET LA QUINCAILLERIE.**

**ATTENTION!**

- Ne placez pas le produit sous des câbles électriques.
- Gardez les enfants éloignés pendant l'assemblage.
- Ce produit contient des petites pièces que les enfants pourraient avaler.
- Éloignez les doigts des endroits où ils peuvent être pincés ou coincés.

**Laissez-nous vous aider!****VEUILLEZ NE PAS RETOURNER LE PRODUIT AU MAGASIN.****APPELEZ-NOUS D'ABORD!** 1 888 670-6684

Si vous avez des questions concernant le produit, avez besoin d'une assistance relative à la garantie ou avez des pièces endommagées ou manquantes, veuillez communiquer avec notre service à la clientèle grâce à la ligne d'assistance sans frais. Veuillez nous contacter pour toute assistance; nous sommes là pour vous aider.

**IMPORTANT :** Veuillez lire et comprendre ce guide avant de tenter tout assemblage. Avant de procéder à l'assemblage du produit, assurez-vous qu'il ne manque aucune pièce. Comparez les pièces à la liste du contenu de l'emballage. Pour toute pièce manquante ou pour toute question, veuillez communiquer avec le centre de service au 1 888 670-6684 (sans frais).

Placez toutes les pièces de la boîte dans un endroit dégagé et positionnez-les sur le sol devant vous. Retirez tous les matériaux d'emballage et replacez-les dans la boîte. Ne vous débarrassez pas des matériaux d'emballage avant d'avoir terminé l'assemblage. Lisez chaque étape attentivement avant de commencer l'assemblage et assurez-vous de toutes les comprendre.

Requis pour l'assemblage :



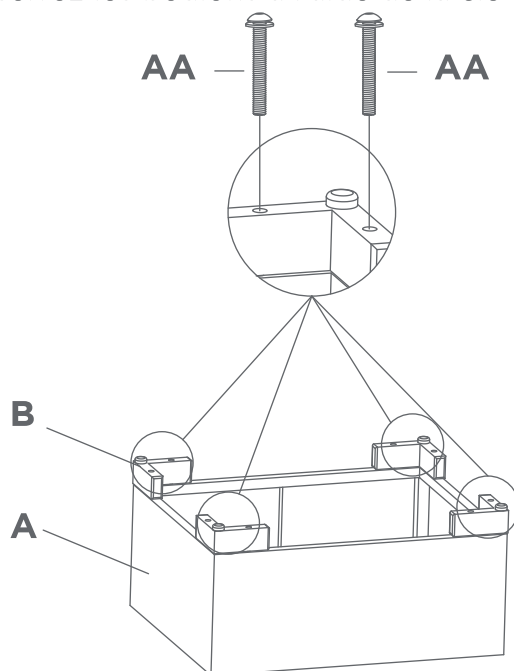
2 personnes

## 6 Modèle n° 088-2095-4

### Étape 1

Requiert **A, B, AA, BB**

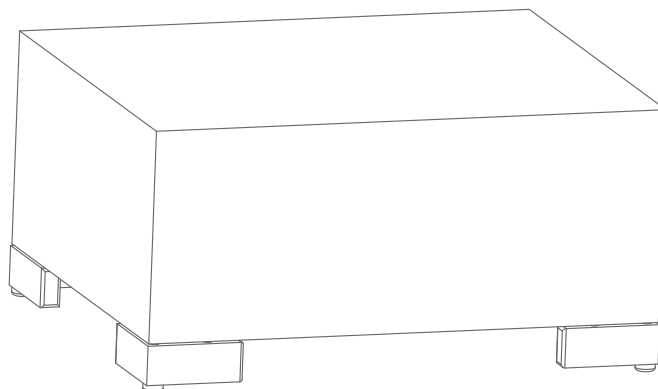
Placez l'armature du poof (A) sur une surface plane et molle. Alignez les trous de boulon de l'armature du poof (A) avec les trous de boulon correspondants du pied (B). Insérez les boulons M6x55 avec rondelles (AA) et serrez les boulons à l'aide de la clé hexagonale (BB).



**REMARQUE :**  
**Ne serrez pas**  
**complètement**

### Étape 2

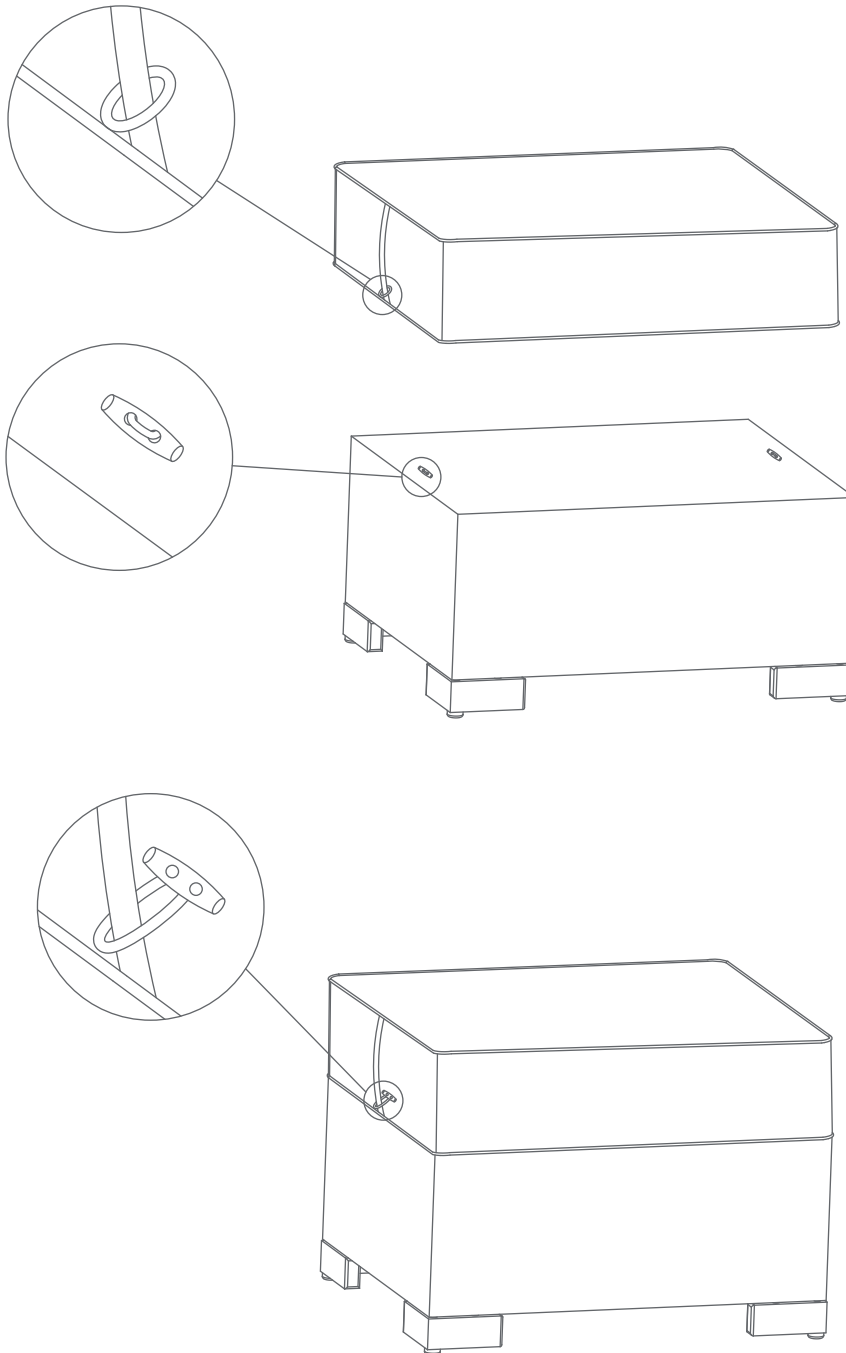
Redressez le poof.



## Étape 3

Requiert **A, C**

Tirez le bouton de la barre de soutien sous le siège du pouf (A) vers le haut, puis fixez à la petite boucle sur le côté du coussin de siège (C) comme illustré.



## 8 Modèle n° 088-2095-4

**ATTENTION!**

- Vérifiez tous les écrous et vis régulièrement pour vous assurer qu'ils sont serrés, et resserrez-les au besoin.
- Démontez le poof dans l'ordre inverse des étapes de l'assemblage.
- Démontez toujours complètement le poof. Un poof partiellement démonté n'est pas suffisamment stable pour résister au vent et aux intempéries et peut donc être endommagé et/ou entraîner des dommages.
- Nettoyez le poof à l'eau et au savon doux. Rincez soigneusement et attendez que le poof soit sec avant de l'assembler à nouveau.

- Nettoyez le poof avec du savon doux. N'utilisez pas de détergent. L'eau doit être tiède : à 25 °C (77 °F) ou moins.
- Les composants en acier des accessoires et du mobilier de jardin sont traités avec une peinture antirouille. Toutefois, en raison de la nature de l'acier, l'oxydation de la surface (rouille) se produira si ce revêtement protecteur est éraflé. Il s'agit d'un processus naturel. Afin de le minimiser, il est recommandé de faire preuve de précaution au cours de l'assemblage et de la manutention du produit, pour éviter d'en érafler la peinture. La rouille de la surface peut être facilement enlevée en utilisant une légère application d'une huile de cuisson ordinaire. Si la surface s'est oxydée (rouille) et qu'aucune mesure n'est prise pour éliminer cette oxydation, elle pourrait commencer à dégoutter sur la surface d'assemblage, ce qui pourrait causer des taches difficiles à enlever.

Dimensions (long. x larg. x H.)

17 5/8 x 21 5/8 x 10 3/4 po

45 x 55 x 27,5 cm

Poids du produit

11 lb

5 kg

Capacité

225 lb

102 kg



# CANVAS<sup>TM/MC</sup>

9

Ce produit CANVAS est couvert par une garantie d'un (1) an contre les défauts de fabrication et de matériaux. Trileaf Distribution accepte de remplacer gratuitement le produit défectueux pendant la période précisée dans la garantie, lorsqu'il est retourné par l'acheteur original accompagné d'une preuve d'achat. La garantie ne couvre pas ce produit contre l'usure ou le bris causé par un mauvais usage ou un usage abusif.

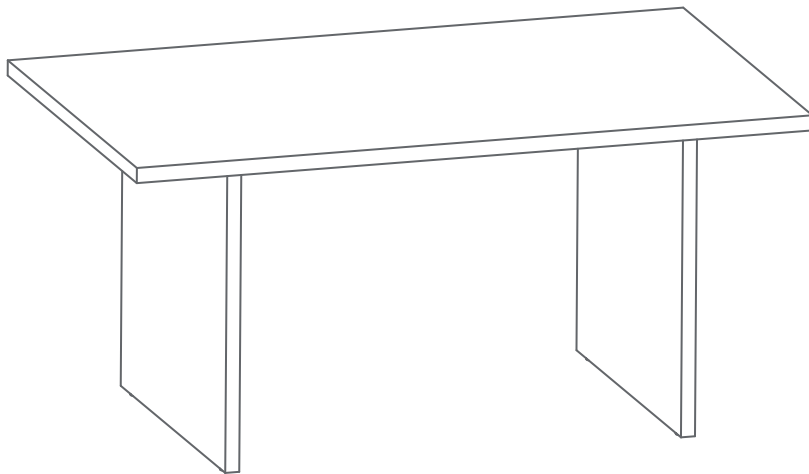
**GARANTIE**

# CANVAS<sup>TM/MC</sup>

## ENSEMBLE DE DÉTENTE/ SALLE À MANGER DE 6-PIÈCES CAMBRIDGE

---

Modèle n° 088-2095-4



### INSTRUCTIONS D'ASSEMBLAGE

**Numéro sans frais : 1 888 670-6684**

**IMPORTANT :** Veuillez lire attentivement ce guide avant de procéder à l'assemblage de ce produit et le conserver aux fins de consultation ultérieure.

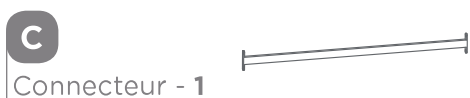
Consignes de sécurité importantes	3
Liste des pièces	4
Préparation à l'assemblage	5
Assemblage	6
Nettoyage et entretien	8
Caractéristiques techniques	8
Garantie	9



Avertissement! Pour réduire tout risque de blessures graves, veuillez lire les consignes de sécurité suivantes avant l'assemblage et l'utilisation de la table.

**Attention! Surveillez toujours de près les enfants pendant qu'ils utilisent le produit ou se trouvent à proximité.**

- Ce produit est conçu pour une utilisation résidentielle à l'extérieur uniquement.
- Le produit doit être placé sur un sol plat et horizontal.
- Tout assemblage ou entretien du produit doit être effectué par des adultes uniquement.
- Faites appel au nombre de personnes nécessaire pour assembler ou déplacer le produit.
- Certaines pièces peuvent présenter des bords tranchants. Portez des gants de protection au besoin.
- Vérifiez tous les écrous et boulons régulièrement pour vous assurer qu'ils sont bien serrés. Serrez-les à nouveau au besoin.
- Si le produit n'est pas utilisé pendant une longue période (pendant l'hiver, par exemple), il doit être rangé dans un endroit propre et sec.
- N'allumez pas de feu à l'intérieur ou à proximité du produit!
- Ne suspendez pas de poids sur l'unité.
- Conservez l'emballage original pour entreposer le produit.



**POUR FACILITER L'ASSEMBLAGE, NE SERREZ PAS COMPLÈTEMENT LES BOULONS DANS L'ARMATURE AVANT QU'ILS NE SOIENT TOUS INSÉRÉS POUR CETTE PHASE DE L'ASSEMBLAGE. ATTENDEZ LA DERNIÈRE ÉTAPE DE L'ASSEMBLAGE POUR BIEN SERRER TOUS LES BOULONS ET LA QUINCAILLERIE.**

**ATTENTION!**

- Ne placez pas le produit sous des câbles électriques.
- Gardez les enfants éloignés pendant l'assemblage.
- Ce produit contient des petites pièces que les enfants pourraient avaler.
- Éloignez les doigts des endroits où ils peuvent être pincés ou coincés.

**Laissez-nous vous aider!****VEUILLEZ NE PAS RETOURNER LE PRODUIT AU MAGASIN.**

**APPELEZ-NOUS D'ABORD!** 1 888 670-6684

Si vous avez des questions concernant le produit, avez besoin d'une assistance relative à la garantie ou avez des pièces endommagées ou manquantes, veuillez communiquer avec notre service à la clientèle grâce à la ligne d'assistance sans frais. Veuillez nous contacter pour toute assistance; nous sommes là pour vous aider.

**IMPORTANT :** Veuillez lire et comprendre ce guide avant de tenter tout assemblage. Avant de procéder à l'assemblage du produit, assurez-vous qu'il ne manque aucune pièce. Comparez les pièces à la liste du contenu de l'emballage. Pour toute pièce manquante ou pour toute question, veuillez communiquer avec le centre de service au 1 888 670-6684 (sans frais).

Placez toutes les pièces de la boîte dans un endroit dégagé et positionnez-les sur le sol devant vous. Retirez tous les matériaux d'emballage et replacez-les dans la boîte. Ne vous débarrassez pas des matériaux d'emballage avant d'avoir terminé l'assemblage. Lisez chaque étape attentivement avant de commencer l'assemblage et assurez-vous de toutes les comprendre.

Requis pour l'assemblage :

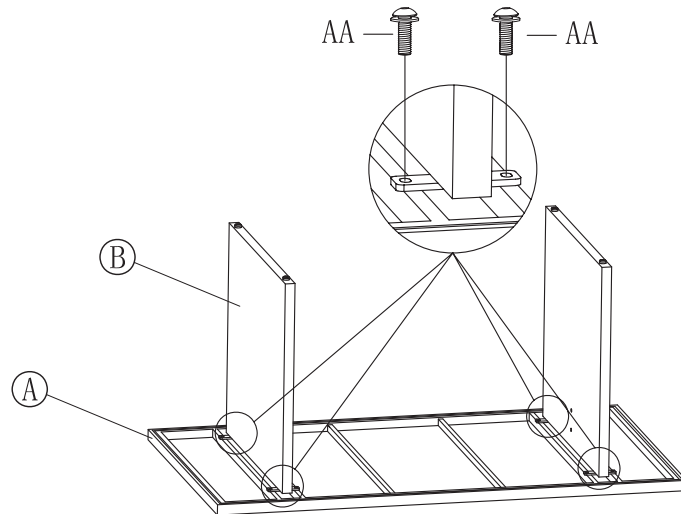


2 personnes

## Étape 1

Requiert **A, B, AA, BB**

Placez le plateau de table (A) sur une surface molle et plane. Alignez les trous de boulon du plateau de table (A) avec les trous de boulon correspondants du panneau latéral (B). Insérez les boulons M6x20 avec rondelles (AA) et serrez légèrement les boulons à l'aide de la clé hexagonale (BB). Ne serrez pas complètement avant que l'assemblage soit terminé.

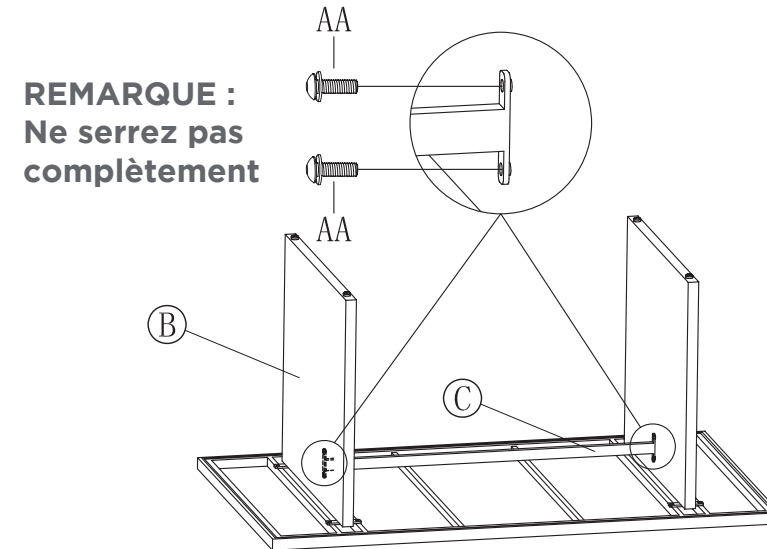


**REMARQUE : Ne serrez pas complètement**

## Étape 2

Requiert **B, C, AA, BB**

Fixez le connecteur (C) aux 2 panneaux latéraux (B). Alignez les trous de boulon du connecteur (C) avec les trous de boulon correspondants du panneau latéral (B). Insérez les boulons M6x20 avec rondelles (AA) et serrez légèrement les boulons à l'aide de la clé hexagonale (BB).

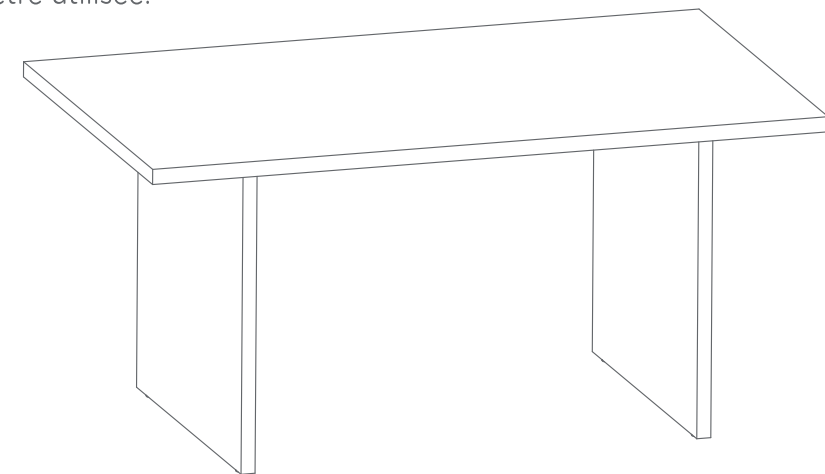


**REMARQUE :  
Ne serrez pas  
complètement**

## Étape 3

Requiert **BB**

Assurez-vous que tous les boulons sont complètement serrés à l'aide de la clé hexagonale (BB). Redressez la table. Votre table est désormais assemblée et prête à être utilisée.



**ATTENTION!**

- Vérifiez tous les écrous et vis régulièrement pour vous assurer qu'ils sont serrés, et resserrez-les au besoin.
- Démontez la table dans l'ordre inverse des étapes de l'assemblage.
- Démontez toujours complètement la table. Une table partiellement démonté n'est pas suffisamment stable pour résister au vent et aux intempéries et peut donc être endommagée et/ou entraîner des dommages.
- Nettoyez la table à l'eau et au savon doux. Rincez soigneusement et attendez que la table soit sèche avant de l'assembler à nouveau.

- Nettoyez la table avec du savon doux. N'utilisez pas de détergent. L'eau doit être tiède : à 25 °C (77 °F) ou moins.
- Les composants en acier des accessoires et du mobilier de jardin sont traités avec une peinture antirouille. Toutefois, en raison de la nature de l'acier, l'oxydation de la surface (rouille) se produira si ce revêtement protecteur s'est éraflé. Il s'agit d'un processus naturel. Afin de le minimiser, il est recommandé de faire preuve de précaution au cours de l'assemblage et de la manutention du produit, pour éviter d'en érafler la peinture. La rouille de la surface peut être facilement enlevée en utilisant une légère application d'une huile de cuisson ordinaire. Si la surface s'est oxydée (rouille) et qu'aucune mesure n'est prise pour éliminer cette oxydation, elle pourrait commencer à dégoutter sur la surface d'assemblage, ce qui pourrait causer des taches difficiles à enlever.

Dimensions (long. x larg. x H.) 56 7/8 x 34 x 27 7/8 po

144,5 x 86,5 x 71 cm

Poids du produit 57 lb 5 oz

26 kg

Capacité 100 lb

45 kg

Ce produit CANVAS est couvert par une garantie d'un (1) an contre les défauts de fabrication et de matériaux. Trileaf Distribution accepte de remplacer gratuitement le produit défectueux pendant la période précisée dans la garantie, lorsqu'il est retourné par l'acheteur original accompagné d'une preuve d'achat. La garantie ne couvre pas ce produit contre l'usure ou le bris causé par un mauvais usage ou un usage abusif.