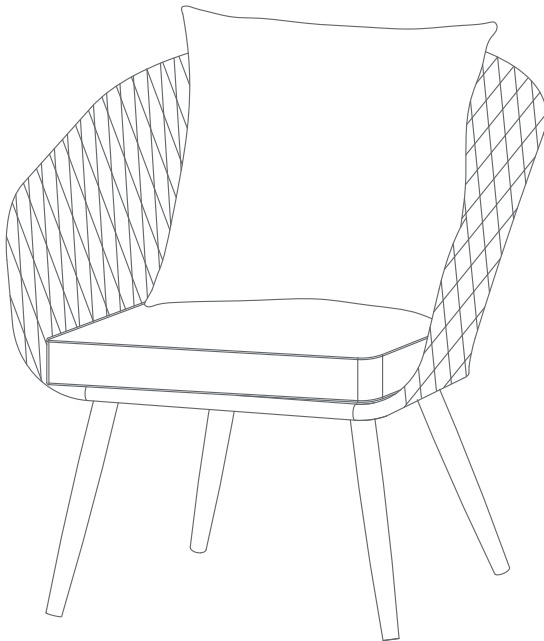


CANVAS^{TM/MC}

BYWARD 4 PIECE CONVERSATION SET - CHAIR

Model No. 088-2209-6



ASSEMBLY INSTRUCTIONS

Toll-free: 1-888-670-6684

IMPORTANT: Please read this manual carefully before beginning assembly of this product.
Keep this manual for future reference.

Important Safety Instructions	3
Parts List	4
Assembly Preparation	5
Assembly	6
Cleaning and Maintenance	8
Specifications	8
Warranty	9



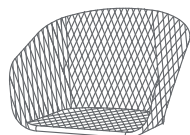
Warning! To reduce the risk of serious injury, read the following safety instructions before assembling and using the chair.

Caution! Always keep children under close supervision while they are using or around this product.

- This product is intended for domestic, outdoor use only.
- The product should be placed on flat, horizontal ground.
- Any assembly or maintenance of the product must be carried out by adults only.
- Arrange necessary manpower when assembling or moving the product.
- Some parts may contain sharp edges. Wear protective gloves if necessary.
- Check all nuts and bolts periodically for tightness. When required, tighten them again.
- If the product will not be used for a long period of time (e.g., wintertime), it should be stored in a clean, dry environment.
- Do not light any fires inside or near the product!
- Do not hang any weights on the frame.
- Retain the original package to store the product.

A

Chair frame - 1



AA

M6x20 Combination bolt and washer - 12



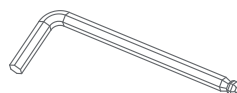
B

Front leg - 2



BB

Hex key - 1



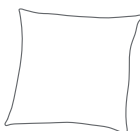
C

Rear leg - 2



D

Back cushion - 1



E

Seat cushion - 1



FOR EASY ASSEMBLY, DO NOT COMPLETELY TIGHTEN BOLTS INTO THE FRAME UNTIL ALL BOLTS HAVE BEEN INSERTED FOR THAT PHASE OF ASSEMBLY. ONLY AT THE FINAL STEP OF ASSEMBLY, SECURELY TIGHTEN ALL BOLTS AND HARDWARE.

**CAUTION!**

- Do not place the product underneath electrical lines.
- Keep children away during assembly.
- This product contains small parts which can be swallowed by children.
- Keep fingers away from places where they can be pinched or trapped.

**Let us help you!**

DO NOT RETURN YOUR PRODUCT TO THE STORE. CALL US FIRST!

1-888-670-6684

If you have questions regarding your product, require warranty assistance, or have damaged or missing parts, please call our customer service toll-free helpline. Contact us for assistance; we're here to help.

IMPORTANT: Please read and understand this manual before any assembly. Before beginning assembly of product, make sure all parts are present. Compare parts with packaging contents list. If any part is missing, or if you have any questions, contact the service centre at 1-888-670-6684 (toll free).

Place all parts from the box in a cleared area and position them on the floor in front of you. Remove all packing materials and place them back into the box. Do not dispose of the packing materials until assembly is complete. Read each step carefully before beginning any assembly and make sure you understand each step.

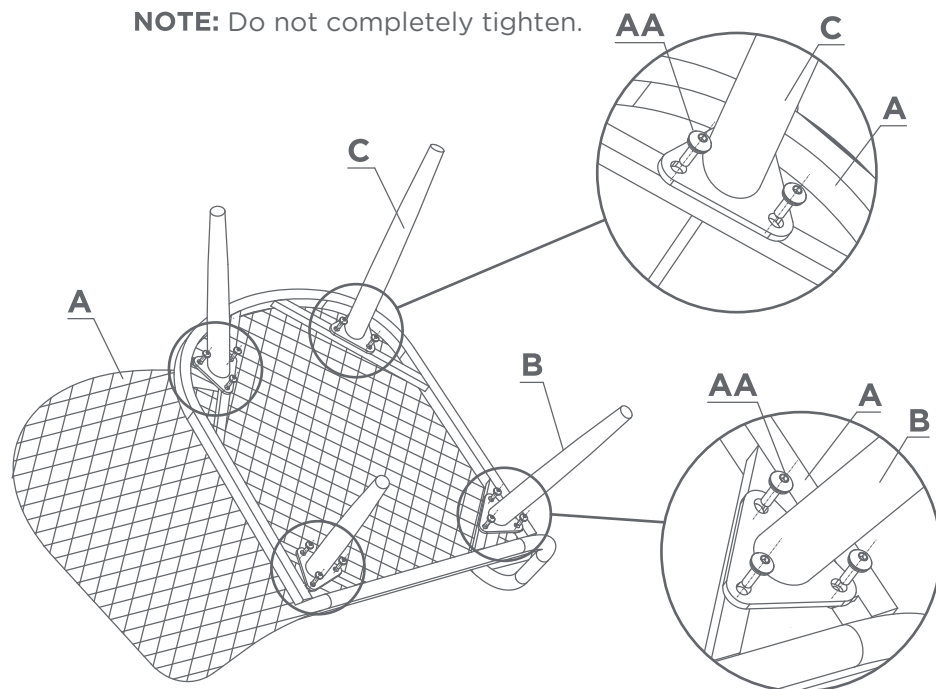
Needed for assembly:



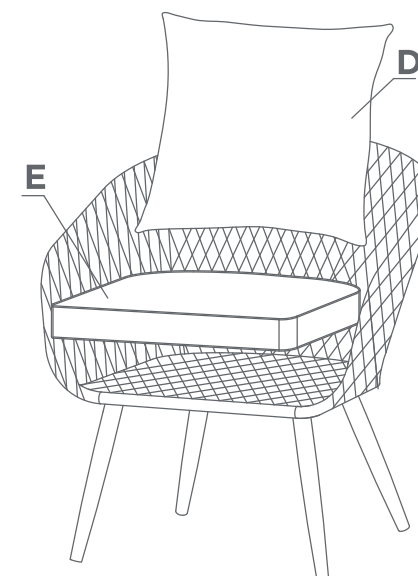
2 people

Step 1Requires **A, B, C, AA, BB**

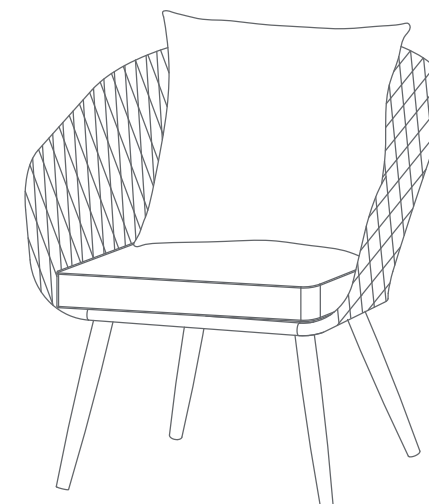
Place the chair frame (A) upside down on a soft, flat surface. Connect the front legs (B) to the bottom of the chair frame (A) by aligning the holes. Insert M6x20 combination bolt and washer (AA). Lightly tighten the bolts using the hex key (BB). Do not completely tighten until all assembly is completed. Repeat the same step for rear legs (C).

NOTE: Do not completely tighten.**Step 2**Requires **D, E, BB**

Ensure all bolts are securely tightened using the hex key (BB). Turn the chair to the upright position and place back cushion (D) and seat cushion (E) on the chair as shown.

**Step 3**

Your chair is now ready to use.



**CAUTION!**

- Check all screws and nuts periodically for tightness, tightening them again as required.
- Disassemble the chair in the reverse order of the assembly steps.
- Always disassemble the chair completely. A partially disassembled chair is not stable enough to resist wind and bad weather, and therefore can be damaged and/or cause damage.
- Clean the chair with mild soap and water. Rinse thoroughly, and wait until the chair is completely dry before reassembling it.

- Always use a mild soap—never detergent.
 - Water should be cold to lukewarm—never more than 25°C (77°F).
- Steel components of garden accessories and furniture are treated with rust-inhibiting paint. However, due to the nature of steel, surface oxidation (rusting) will occur if this protective coating is scratched. This is a natural process. To minimize this condition, it is recommended that care be taken when assembling and handling the product in order to prevent the paint from being scratched. Surface rust can be removed easily using a very light application of common cooking oil. If surface oxidation (rusting) occurs and no measures are taken to correct it, the oxidation may start dripping onto the assembly surface, which may cause damaging stains that may be difficult to remove.

Dimensions (L x W x H) 31 1/8 x 29 3/4 x 30 1/8"

79 x 75.5 x 76.5 cm

Product weight

23 lb 2 oz

10.5 kg

Weight capacity

250 lb

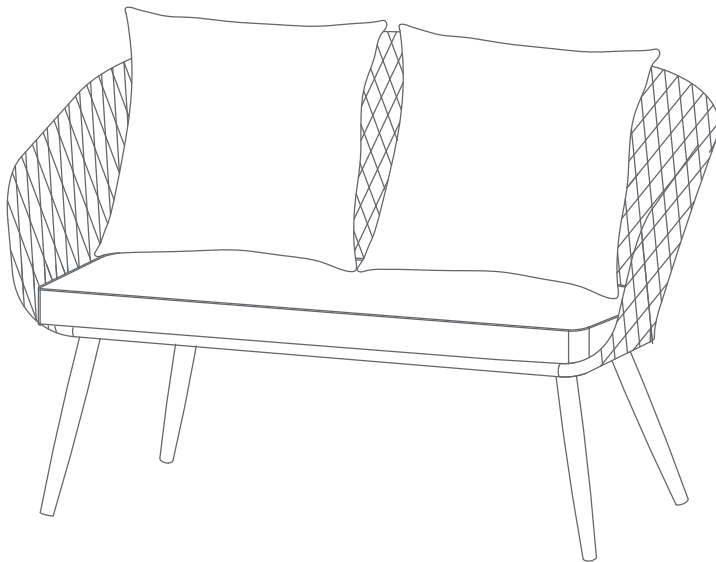
113.39 kg

This CANVAS product carries a one (1) year warranty against defects in workmanship and materials. Trileaf Distribution agrees to replace a defective product free of charge within the stated warranty period, when returned by the original purchaser with proof of purchase. This product is not guaranteed against wear or breakage due to misuse and/or abuse.

CANVAS^{TM/MC}

BYWARD 4 PIECE CONVERSATION SET - LOVESEAT

Model No. 088-2209-6



ASSEMBLY INSTRUCTIONS

Toll-free: 1-888-670-6684

IMPORTANT: Please read this manual carefully before beginning assembly of this product.
Keep this manual for future reference.

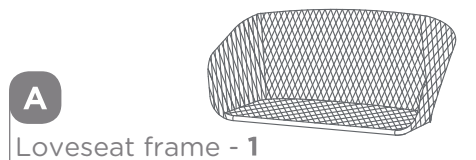
Important Safety Instructions	3
Parts List	4
Assembly Preparation	5
Assembly	6
Cleaning and Maintenance	8
Specifications	8
Warranty	9



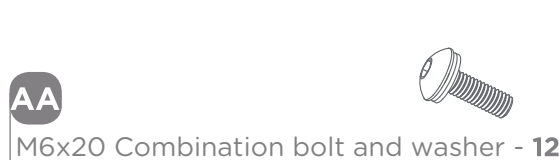
Warning! To reduce the risk of serious injury, read the following safety instructions before assembling and using the loveseat.

Caution! Always keep children under close supervision while they are using or around this product.

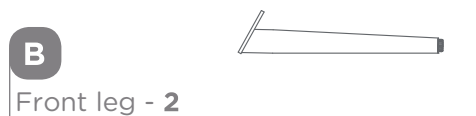
- This product is intended for domestic, outdoor use only.
- The product should be placed on flat, horizontal ground.
- Any assembly or maintenance of the product must be carried out by adults only.
- Arrange necessary manpower when assembling or moving the product.
- Some parts may contain sharp edges. Wear protective gloves if necessary.
- Check all nuts and bolts periodically for tightness. When required, tighten them again.
- If the product will not be used for a long period of time (e.g., wintertime), it should be stored in a clean, dry environment.
- Do not light any fires inside or near the product!
- Do not hang any weights on the frame.
- Retain the original package to store the product.



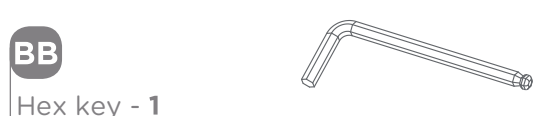
A
Loveseat frame - 1



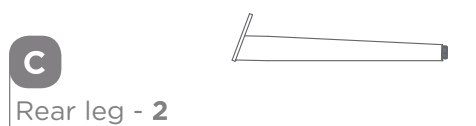
AA
M6x20 Combination bolt and washer - 12



B
Front leg - 2



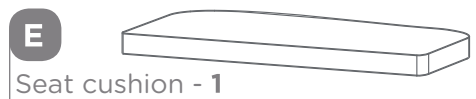
BB
Hex key - 1



C
Rear leg - 2



D
Back cushion - 2



E
Seat cushion - 1

FOR EASY ASSEMBLY, DO NOT COMPLETELY TIGHTEN BOLTS INTO THE FRAME UNTIL ALL BOLTS HAVE BEEN INSERTED FOR THAT PHASE OF ASSEMBLY. ONLY AT THE FINAL STEP OF ASSEMBLY, SECURELY TIGHTEN ALL BOLTS AND HARDWARE.



CAUTION!

- Do not place the product underneath electrical lines.
- Keep children away during assembly.
- This product contains small parts which can be swallowed by children.
- Keep fingers away from places where they can be pinched or trapped.



Let us help you!

DO NOT RETURN YOUR PRODUCT TO THE STORE. CALL US FIRST!

1-888-670-6684

If you have questions regarding your product, require warranty assistance, or have damaged or missing parts, please call our customer service toll-free helpline. Contact us for assistance; we're here to help.

IMPORTANT: Please read and understand this manual before any assembly. Before beginning assembly of product, make sure all parts are present. Compare parts with packaging contents list. If any part is missing, or if you have any questions, contact the service centre at 1-888-670-6684 (toll free).

Place all parts from the box in a cleared area and position them on the floor in front of you. Remove all packing materials and place them back into the box. Do not dispose of the packing materials until assembly is complete. Read each step carefully before beginning any assembly and make sure you understand each step.

Needed for assembly:

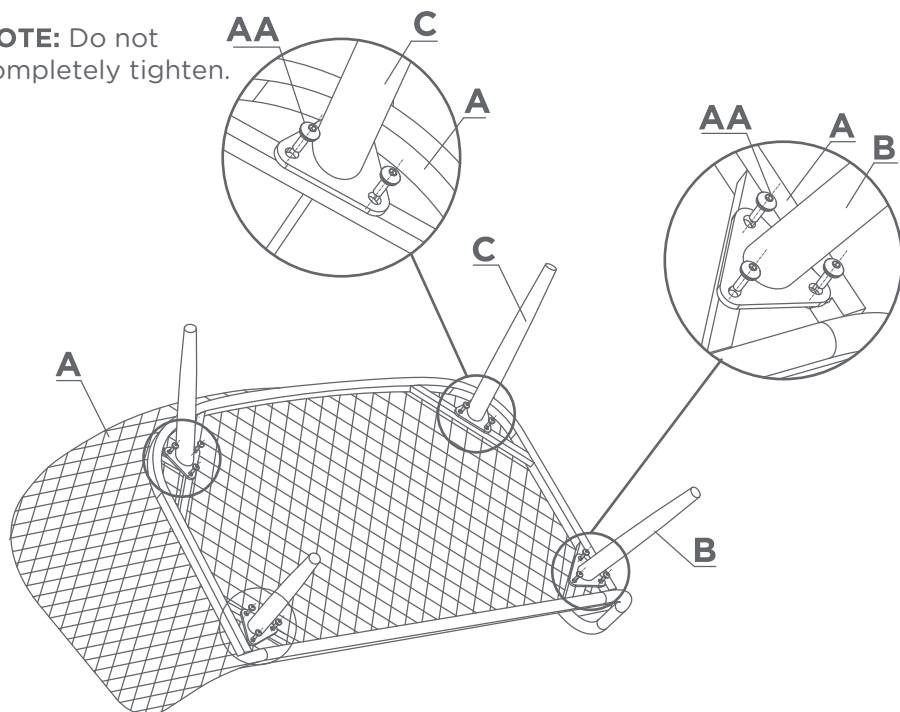


2 people

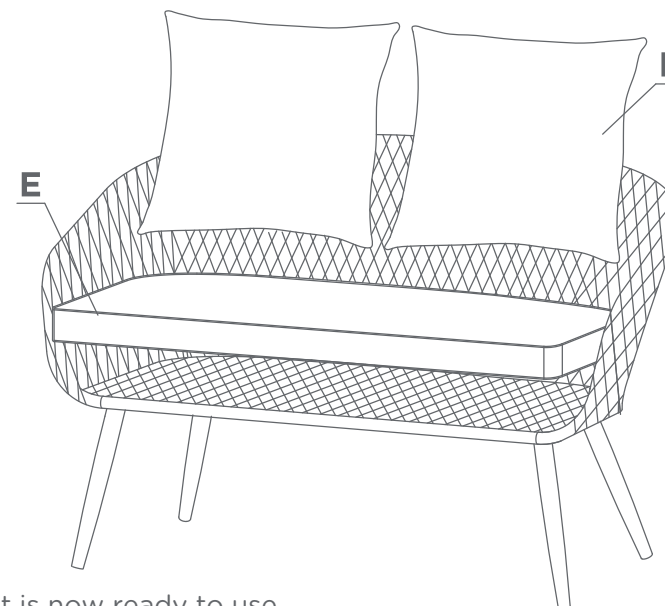
Step 1Requires **A, B, C, AA, BB**

Place the loveseat frame (A) upside down on a soft, flat surface. Connect the front legs (B) to the bottom of the loveseat frame (A) by aligning the holes. Insert M6x20 combination bolt and washer (AA). Lightly tighten bolts using hex key (BB). Do not completely tighten until all assembly is completed. Repeat the same step for rear legs (C).

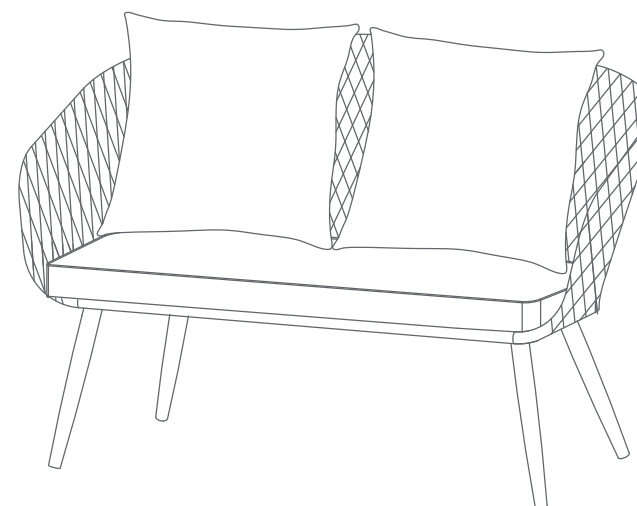
NOTE: Do not completely tighten.

**Step 2**Requires **D, E, BB**

Ensure all bolts are securely tightened using the hex key (BB). Turn the loveseat to the upright position and place back cushions (D) and seat cushion (E) on the loveseat as shown.

**Step 3**

Your loveseat is now ready to use.



**CAUTION!**

- Check all screws and nuts periodically for tightness, tightening them again as required.
- Disassemble the loveseat in the reverse order of the assembly steps.
- Always disassemble the loveseat completely. A partially disassembled loveseat is not stable enough to resist wind and bad weather, and therefore can be damaged and/or cause damage.
- Clean the loveseat with mild soap and water. Rinse thoroughly, and wait until the loveseat is completely dry before reassembling it.

- Always use a mild soap—never detergent.
 - Water should be cold to lukewarm—never more than 25°C (77°F).
- Steel components of garden accessories and furniture are treated with rust-inhibiting paint. However, due to the nature of steel, surface oxidation (rusting) will occur if this protective coating is scratched. This is a natural process. To minimize this condition, it is recommended that care be taken when assembling and handling the product, in order to prevent the paint from being scratched. Surface rust can be removed easily using a very light application of common cooking oil. If surface oxidation (rusting) occurs and no measures are taken to correct it, the oxidation may start dripping onto the assembly surface, which may cause damaging stains that may be difficult to remove.

Dimensions (L x W x H) 55 1/8 x 31 1/8 x 30 1/8"

140 x 79 x 76.5 cm

Product weight

37 lb 8 oz

17 kg

Weight capacity

250 lb per seat

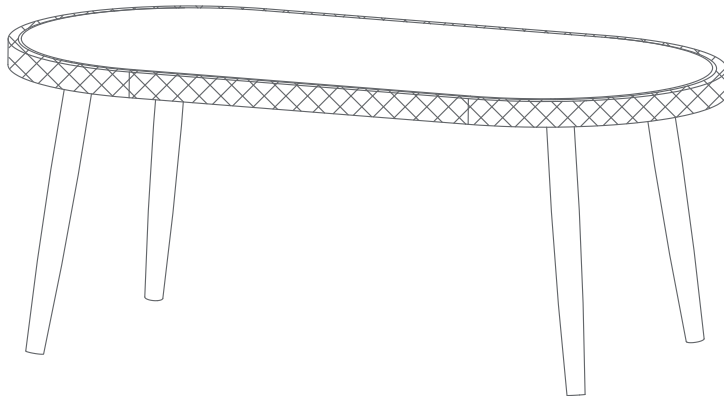
113.4 kg per seat

This CANVAS product carries a one (1) year warranty against defects in workmanship and materials. Trileaf Distribution agrees to replace a defective product free of charge within the stated warranty period, when returned by the original purchaser with proof of purchase. This product is not guaranteed against wear or breakage due to misuse and/or abuse.

CANVAS^{TM/MC}

BYWARD 4 PIECE CONVERSATION SET - TABLE

Model No. 088-2209-6



ASSEMBLY INSTRUCTIONS

Toll-free: 1-888-670-6684

IMPORTANT: Please read this manual carefully before beginning assembly of this product.
Keep this manual for future reference.

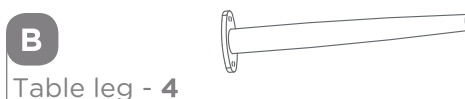
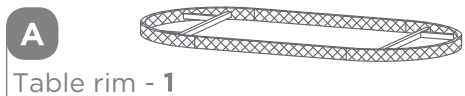
Important Safety Instructions	3
Parts List	4
Assembly Preparation	5
Assembly	6
Cleaning and Maintenance	8
Specifications	8
Warranty	9



Warning! To reduce the risk of serious injury, read the following safety instructions before assembling and using the table.

Caution! Always keep children under close supervision while they are using or around this product.

- This product is intended for domestic, outdoor use only.
- The product should be placed on flat, horizontal ground.
- Any assembly or maintenance of the product must be carried out by adults only.
- Arrange necessary manpower when assembling or moving the product.
- Some parts may contain sharp edges. Wear protective gloves if necessary.
- Check all nuts and bolts periodically for tightness. When required, tighten them again.
- If the product will not be used for a long period of time (e.g., wintertime), it should be stored in a clean, dry environment.
- Do not light any fires inside or near the product!
- Do not hang any weights on the frame.
- Retain the original package to store the product.

**CAUTION!**

- Do not place the product underneath electrical lines.
- Keep children away during assembly.
- This product contains small parts which can be swallowed by children.
- Keep fingers away from places where they can be pinched or trapped.

**Let us help you!**

DO NOT RETURN YOUR PRODUCT TO THE STORE. CALL US FIRST!

1-888-670-6684

If you have questions regarding your product, require warranty assistance, or have damaged or missing parts, please call our customer service toll-free helpline. Contact us for assistance; we're here to help.

IMPORTANT: Please read and understand this manual before any assembly. Before beginning assembly of product, make sure all parts are present. Compare parts with packaging contents list. If any part is missing, or if you have any questions, contact the service centre at 1-888-670-6684 (toll free).

Place all parts from the box in a cleared area and position them on the floor in front of you. Remove all packing materials and place them back into the box. Do not dispose of the packing materials until assembly is complete. Read each step carefully before beginning any assembly and make sure you understand each step.

Needed for assembly:

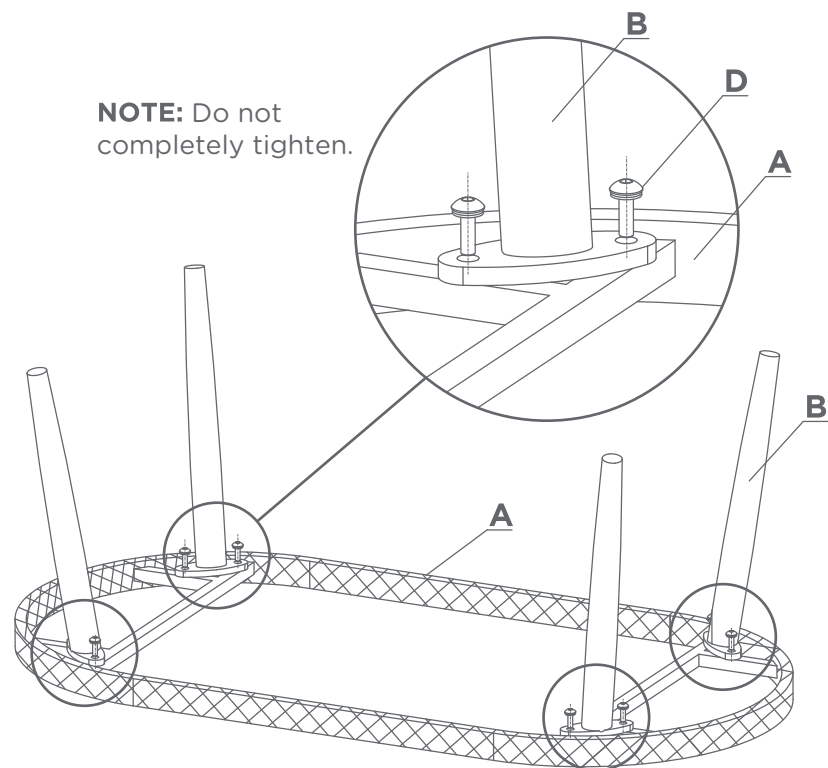


2 people

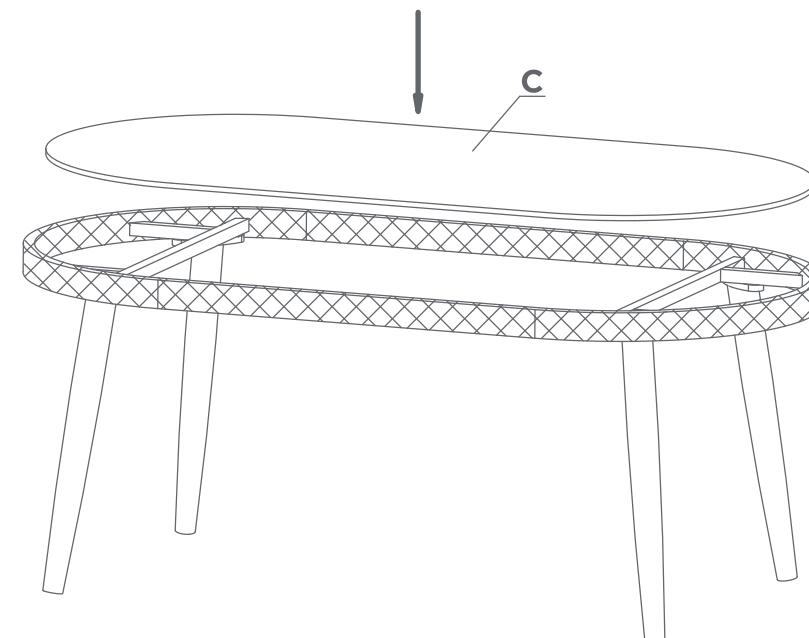
FOR EASY ASSEMBLY, DO NOT COMPLETELY TIGHTEN BOLTS INTO THE FRAME UNTIL ALL BOLTS HAVE BEEN INSERTED FOR THAT PHASE OF ASSEMBLY. ONLY AT THE FINAL STEP OF ASSEMBLY, SECURELY TIGHTEN ALL BOLTS AND HARDWARE.

Step 1Requires **A, B, AA, BB**

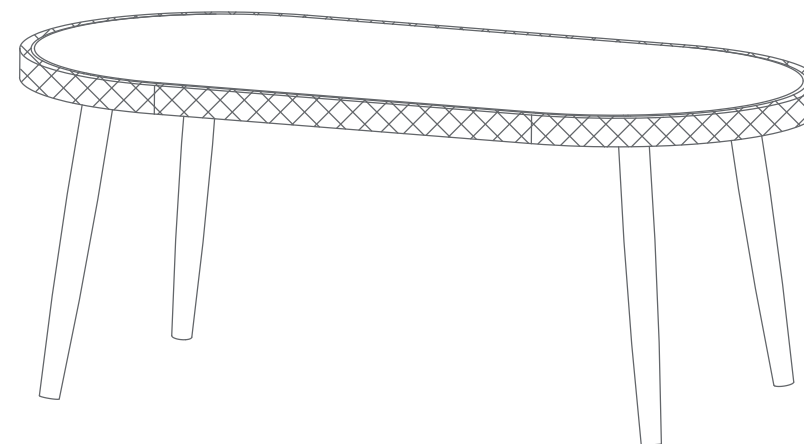
Place the table rim (A) on a soft, flat surface. Line up the bolt holes on the table rim (A) with the corresponding bolt holes on the table leg (B). Insert M6x20 combination bolt and washer (AA) and lightly tighten the bolt using the hex key (BB). Do not completely tighten until all assembly is completed. Repeat the above steps for the remaining table legs.

**Step 2**Requires **A, C, BB**

Ensure all bolts are securely tightened using the hex key (BB). Turn the table to the upright position. Carefully place the glass (C) into the table rim (A).

**Step 3**

Your table is now ready to use.



**CAUTION!**

- Check all screws and nuts periodically for tightness, tightening them again as required.
- Disassemble the table in the reverse order of the assembly steps.
- Always disassemble the table completely. A partially disassembled table is not stable enough to resist wind and bad weather, and therefore can be damaged and/or cause damage.
- Clean the table with mild soap and water. Rinse thoroughly, and wait until the table is completely dry before reassembling it.

- Always use a mild soap—never detergent.
 - Water should be cold to lukewarm—never more than 25°C (77°F).
- Steel components of garden accessories and furniture are treated with rust-inhibiting paint. However, due to the nature of steel, surface oxidation (rusting) will occur if this protective coating is scratched. This is a natural process. To minimize this condition, it is recommended that care be taken when assembling and handling the product in order to prevent the paint from being scratched. Surface rust can be removed easily using a very light application of common cooking oil. If surface oxidation (rusting) occurs and no measures are taken to correct it, the oxidation may start dripping onto the assembly surface, which may cause damaging stains that may be difficult to remove.

Dimensions (L x W x H)	40 1/8 x 20 1/2 x 16 1/2"
------------------------	---------------------------

	102 x 52 x 42 cm
--	------------------

Product weight	22 lb 15 oz
----------------	-------------

	10.42 kg
--	----------

Weight capacity	55 lb
-----------------	-------

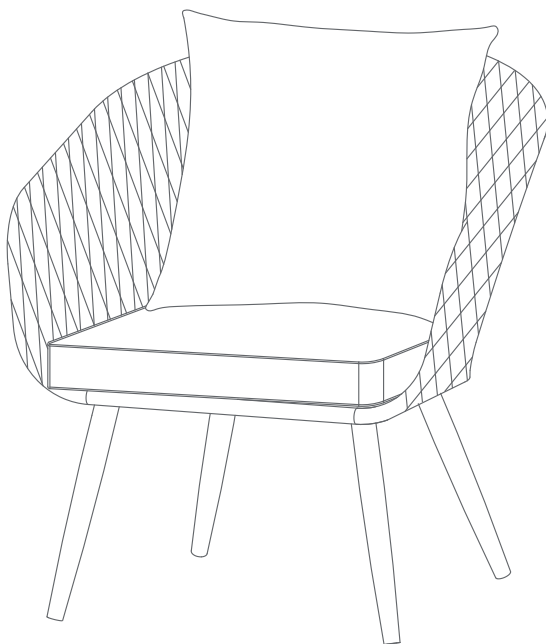
	25 kg
--	-------

This CANVAS product carries a one (1) year warranty against defects in workmanship and materials. Trileaf Distribution agrees to replace a defective product free of charge within the stated warranty period, when returned by the original purchaser with proof of purchase. This product is not guaranteed against wear or breakage due to misuse and/or abuse.

CANVAS^{TM/MC}

ENSEMBLE DE DÉTENTE BYWARD, 4 PIÈCES – FAUTEUIL

N° de modèle : 088-2209-6



INSTRUCTIONS D'ASSEMBLAGE

Numéro sans frais : 1 888 670-6684

IMPORTANT : Veuillez lire attentivement ce guide avant de procéder à l'assemblage de cet article.
Conservez ce guide aux fins de consultation ultérieure.

Consignes importantes en matière de sécurité	3
Liste des pièces	4
Préparation à l'assemblage	5
Assemblage	6
Nettoyage et entretien	8
Fiche technique	8
Garantie	9



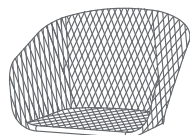
Avertissement! Pour réduire le risque de blessures graves, lisez les consignes de sécurité suivantes avant d'assembler et d'utiliser le fauteuil.

Attention! Surveillez toujours les enfants étroitement lorsqu'ils utilisent cet article ou qu'ils se trouvent à proximité de celui-ci.

- Cet article est uniquement destiné à un usage domestique et doit être utilisé à l'extérieur.
- L'article doit être placé sur une surface plane et horizontale.
- L'assemblage et l'entretien de cet article ne doivent être effectués que par des adultes.
- Au besoin, demandez à d'autres personnes de vous aider à assembler ou à déplacer l'article.
- Certaines pièces peuvent contenir des bords tranchants. Portez des gants de protection si nécessaire.
- Assurez-vous périodiquement que tous les écrous et boulons sont bien serrés. Au besoin, resserrez-les.
- Si l'article n'est pas utilisé pendant une longue période (p. ex. pendant l'hiver), il doit être entreposé dans un environnement propre et sec.
- N'allumez pas un feu à l'intérieur ou près de l'article!
- Ne suspendez aucun poids sur le cadre.
- Conservez l'emballage original aux fins d'entreposage de l'article.

A

Cadre du fauteuil - 1



B

Pied avant - 2



C

Pied arrière - 2



D

Coussin de dossier - 1



E

Coussin du siège - 1



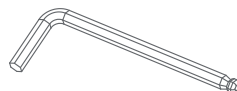
AA

Boulon M6x20 avec rondelle - 12



BB

Clé hexagonale - 1

**ATTENTION!**

- Ne placez pas l'article en dessous de lignes électriques.
- Tenez les enfants à l'écart de l'article pendant son assemblage.
- Cet article contient des petites pièces que les enfants peuvent avaler.
- Tenez vos doigts éloignés des endroits où ils risquent d'être pincés ou pris.

**Laissez-nous vous aider!****NE RETOURNEZ PAS VOTRE ARTICLE AU MAGASIN. APPELEZ-NOUS D'ABORD!**

1 888 670-6684

Si vous avez des questions concernant votre article, des questions de garantie, ou avez des pièces endommagées ou manquantes, communiquez avec notre service à la clientèle en composant le numéro sans frais. Communiquez avec nous si vous avez besoin d'assistance, nous sommes là pour vous aider.

IMPORTANT : Veuillez lire et bien comprendre ce guide avant de procéder à l'assemblage. Avant de procéder à l'assemblage du produit, assurez-vous que toutes les pièces sont présentes. Comparez les pièces à la liste de contenu de l'emballage.

S'il manque des pièces, ou si vous avez des questions, communiquez avec le service d'assistance téléphonique en composant le 1 888 670-6684 (sans frais).

Mettez toutes les pièces de la boîte dans une zone dégagée et positionnez-les sur le sol devant vous. Retirez tout le matériel d'emballage et remettez-le dans la boîte. Ne les jetez pas avant d'avoir terminé l'assemblage. Veuillez lire attentivement chaque étape avant de procéder à l'assemblage, et assurez-vous de comprendre toutes les étapes.

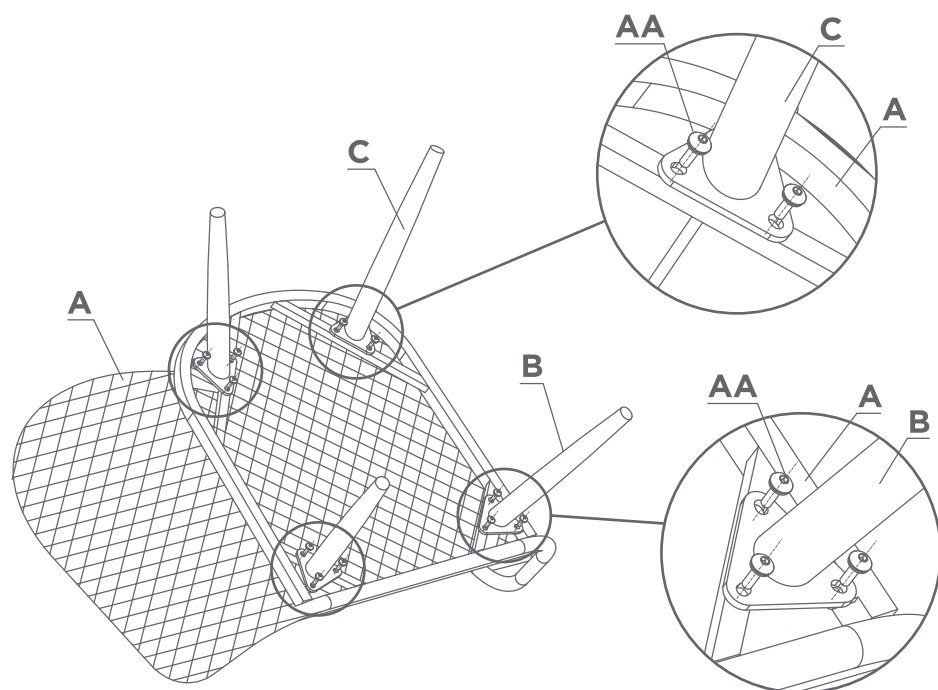
POUR FACILITER L'ASSEMBLAGE, NE SERREZ PAS COMPLÈTEMENT LES BOULONS DANS LE CADRE AVANT D'AVOIR INSÉRÉ TOUS LES BOULONS POUR CETTE ÉTAPE DE MONTAGE. SERREZ TOUS LES BOULONS ET LES AUTRES ÉLÉMENTS DE FIXATION SEULEMENT À LA FIN DE L'ASSEMBLAGE.

Étape 1

Pièces requises : **A, B, C, AA, BB**

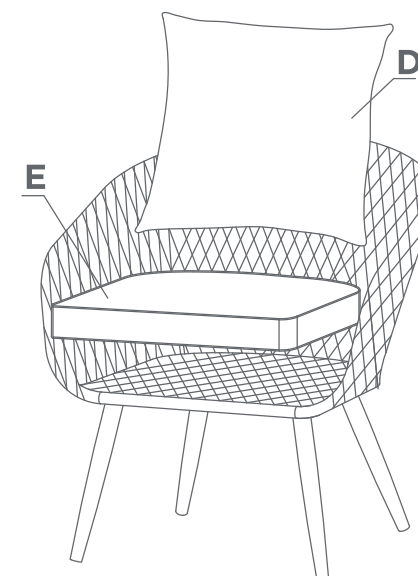
Placez le cadre du fauteuil (A) à l'envers sur une surface douce et plane. Connectez les pieds avant (B) au bas du cadre du fauteuil (A) en alignant les trous. Insérez les boulons M6x20 avec rondelles (AA). Serrez légèrement les boulons à l'aide de la clé hexagonale (BB). Ne serrez pas complètement les boulons avant que l'assemblage ne soit terminé. Répétez la même étape pour les pieds arrière (C).

REMARQUE : Ne serrez pas complètement les éléments de fixation.

**Étape 2**

Pièces requises : **D, E, BB**

Assurez-vous que tous les boulons sont bien serrés à l'aide de la clé hexagonale (BB). Redressez le fauteuil et placez le coussin de dossier (D) et le coussin de siège (E) sur le fauteuil, comme indiqué.

**Étape 3**

Votre fauteuil est maintenant prêt à l'emploi.



**ATTENTION!**

- Vérifiez tous les écrous et les vis périodiquement pour voir s'ils sont bien serrés, et resserrez-les au besoin.
- Désassemblez le fauteuil en suivant les étapes d'assemblage dans l'ordre inverse.
- Désassemblez toujours le fauteuil entièrement. Lorsqu'il est partiellement désassemblé, le fauteuil n'est pas assez stable pour résister au vent et aux intempéries, et peut donc être endommagé ou entraîner des dommages.
- Nettoyez le fauteuil avec du savon doux et de l'eau. Rincez bien, et attendez que le fauteuil soit entièrement sec avant de l'assembler à nouveau.

- Utilisez toujours du savon doux – jamais de détergent.
 - L'eau devrait être froide ou tiède – jamais à plus de 25 °C (77 °F).
- Les pièces en acier des accessoires et des meubles de jardin sont traitées avec une peinture antirouille. Toutefois, en raison de la nature de l'acier, un revêtement de protection rayé pourrait entraîner l'oxydation de la surface (rouille). Ceci est un processus naturel. Afin de minimiser cette condition, il est recommandé d'assembler et de manipuler l'article soigneusement afin d'éviter d'égratigner la peinture. La rouille en surface peut être facilement enlevée en appliquant un peu d'huile de cuisson. S'il y a présence d'oxydation en surface (rouille) et qu'aucune mesure n'est prise pour corriger la situation, l'oxydation peut commencer à couler sur la surface d'assemblage et laisser des taches qui peuvent être difficiles à éliminer.

Dimensions (long. x larg. x H.) 31 1/8 x 29 3/4 x 30 1/8 po

79 x 75,5 x 76,5 cm

Poids

23 lb (2 oz)

10,5 kg

Capacité

250 lb

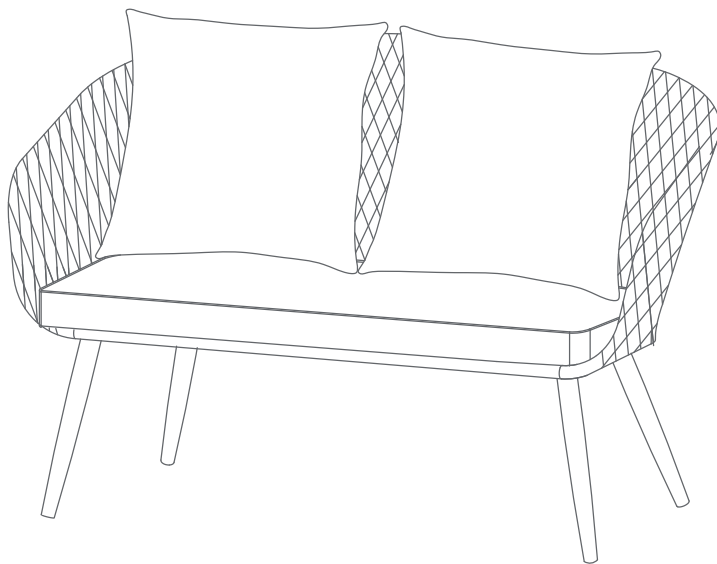
113,39 kg

Cet article CANVAS^{MC} comprend une garantie de un (1) an contre les défauts de fabrication et de matériau(x). Distribution Trifeuil consent à remplacer le produit défectueux sans frais lorsqu'il est retourné par l'acheteur original, accompagné de la preuve d'achat, au cours de la période de garantie convenue. Exclusion : usure ou bris causés par un usage abusif ou inapproprié.

CANVAS^{TM/MC}

ENSEMBLE DE DÉTENTE BYWARD, 4 PIÈCES – CAUSEUSE

N° de modèle : 088-2209-6



INSTRUCTIONS D'ASSEMBLAGE

Numéro sans frais : 1 888 670-6684

IMPORTANT : Veuillez lire attentivement ce guide avant de procéder à l'assemblage de cet article.
Conservez ce guide aux fins de consultation ultérieure.

Consignes de sécurité importantes	3
Liste des pièces	4
Préparation de l'assemblage	5
Assemblage	6
Nettoyage et entretien	8
Données techniques	8
Garantie	9

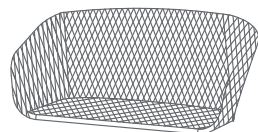


Avertissement! Pour réduire le risque de blessures graves, lisez les consignes de sécurité suivantes avant d'assembler et d'utiliser la causeuse.

Attention! Surveillez toujours les enfants étroitement lorsqu'ils utilisent cet article ou qu'ils se trouvent à proximité de celui-ci.

- Cet article est uniquement destiné à un usage domestique et doit être utilisé à l'extérieur.
- L'article doit être placé sur une surface plane et horizontale.
- L'assemblage et l'entretien de cet article ne doivent être effectués que par des adultes.
- Au besoin, demandez à d'autres personnes de vous aider à assembler ou à déplacer l'article.
- Certaines pièces peuvent contenir des bords tranchants. Portez des gants de protection si nécessaire.
- Assurez-vous périodiquement que tous les écrous et boulons sont bien serrés. Au besoin, resserrez-les.
- Si l'article n'est pas utilisé pendant une longue période (p. ex. pendant l'hiver), il doit être entreposé dans un environnement propre et sec.
- N'allumez pas un feu à l'intérieur ou près de l'article!
- Ne suspendez aucun poids sur le cadre.
- Conservez l'emballage original aux fins d'entreposage de l'article.

A



Cadre de la causeuse - 1

B



Pied avant - 2

C



Pied arrière - 2

D



Coussin de dossier - 2

E



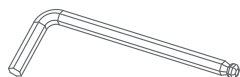
Coussin de siège - 1

AA



Boulon M6x20 avec rondelle - 12

BB



Clé hexagonale - 1

**ATTENTION!**

- Ne placez pas l'article en dessous de lignes électriques.
- Tenez les enfants à l'écart de l'article pendant son assemblage.
- Cet article contient des petites pièces que les enfants peuvent avaler.
- Tenez vos doigts éloignés des endroits où ils risquent d'être pincés ou pris.

**Laissez-nous vous aider!****NE RETOURNEZ PAS VOTRE ARTICLE AU MAGASIN. APPELEZ-NOUS D'ABORD!**

1 888 670-6684

Si vous avez des questions concernant votre article, des questions de garantie, ou avez des pièces endommagées ou manquantes, communiquez avec notre service à la clientèle en composant le numéro sans frais. Communiquez avec nous si vous avez besoin d'assistance, nous sommes là pour vous aider.

IMPORTANT : Veuillez lire et bien comprendre ce guide avant de procéder à l'assemblage. Avant de procéder à l'assemblage du produit, assurez-vous que toutes les pièces sont présentes. Comparez les pièces à la liste de contenu de l'emballage.

S'il manque des pièces, ou si vous avez des questions, communiquez avec le service d'assistance téléphonique en composant le 1 888 670-6684 (sans frais).

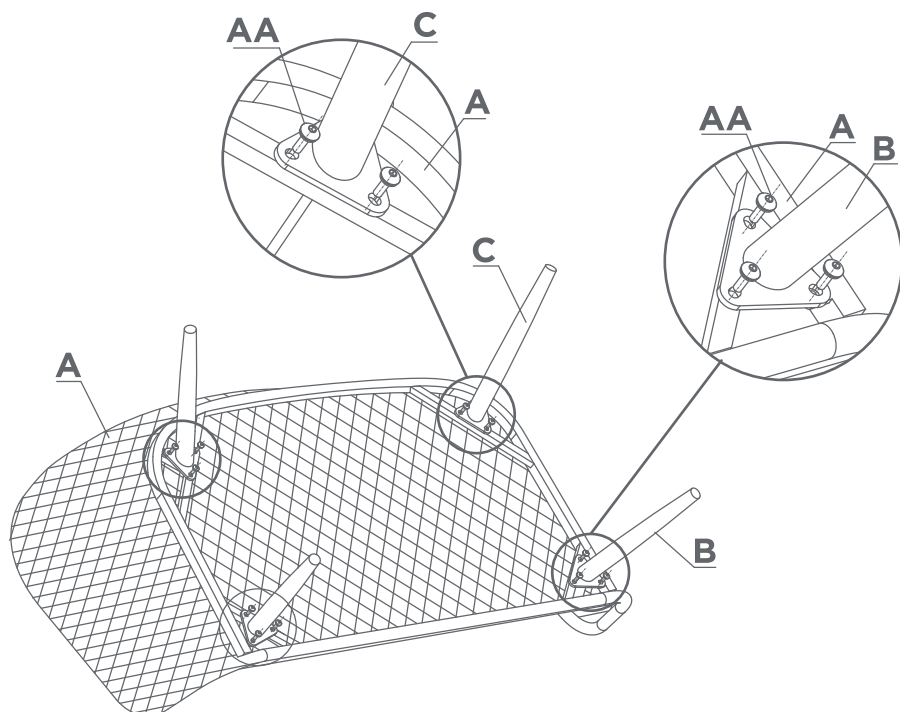
Mettez toutes les pièces de la boîte dans une zone dégagée et positionnez-les sur le sol devant vous. Retirez tout le matériel d'emballage et remettez-le dans la boîte. Ne les jetez pas avant d'avoir terminé l'assemblage. Veuillez lire attentivement chaque étape avant de procéder à l'assemblage, et assurez-vous de comprendre toutes les étapes.

POUR FACILITER L'ASSEMBLAGE, NE SERREZ PAS COMPLÈTEMENT LES BOULONS DANS LE CADRE AVANT D'AVOIR INSÉRÉ TOUS LES BOULONS POUR CETTE ÉTAPE DE MONTAGE. SERREZ TOUS LES BOULONS ET LES AUTRES ÉLÉMENTS DE FIXATION SEULEMENT À LA FIN DE L'ASSEMBLAGE.

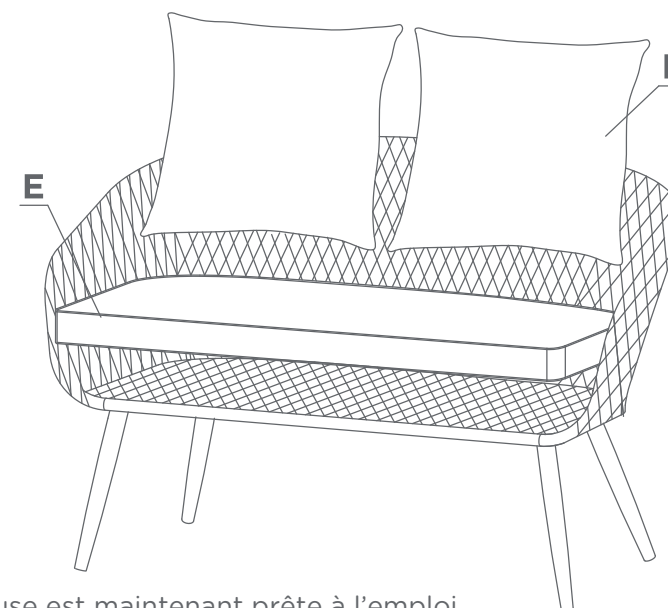
Étape 1Pièces requises : **A, B, C, AA, BB**

Placez le cadre de la causeuse (A) à l'envers sur une surface douce et plane. Connectez les pieds avant (B) au bas du cadre de la causeuse (A) en alignant les trous. Insérez les boulons M6x20 avec rondelles (AA). Serrez légèrement les boulons à l'aide de la clé hexagonale (BB). Ne serrez pas complètement les boulons avant que l'assemblage ne soit terminé. Répétez la même étape pour les pieds arrière (C).

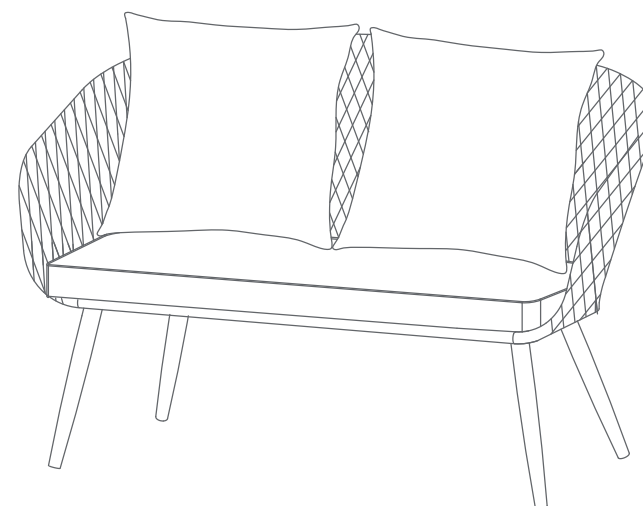
REMARQUE : Ne serrez pas complètement les éléments de fixation.

**Étape 2**Pièces requises : **D, E, BB**

Assurez-vous que tous les boulons sont bien serrés à l'aide de la clé hexagonale (BB). Redressez la causeuse et placez le coussin de dossier (D) et les coussins de siège (E) sur la causeuse, comme indiqué.

**Étape 3**

Votre causeuse est maintenant prête à l'emploi.



**ATTENTION!**

- Vérifiez tous les écrous et les vis périodiquement pour voir s'ils sont bien serrés, et resserrez-les au besoin.
- Désassemblez la causeuse en suivant les étapes d'assemblage dans l'ordre inverse.
- Désassemblez toujours la causeuse entièrement. Lorsqu'elle est partiellement désassemblée, la causeuse n'est pas assez stable pour résister au vent et aux intempéries, et peut donc être endommagée ou entraîner des dommages.
- Nettoyez la causeuse avec du savon doux et de l'eau. Rincez bien, et attendez que la causeuse soit entièrement sèche avant de l'assembler à nouveau.
- Utilisez toujours du savon doux – jamais de détergent.

- Utilisez toujours du savon doux – jamais de détergent.
 - L'eau devrait être froide ou tiède – jamais à plus de 25 °C (77 °F).
- Les pièces en acier des accessoires et des meubles de jardin sont traitées avec une peinture antirouille. Toutefois, en raison de la nature de l'acier, un revêtement de protection rayé pourrait entraîner l'oxydation de la surface (rouille). Ceci est un processus naturel. Afin de minimiser cette condition, il est recommandé d'assembler et de manipuler le produit soigneusement afin d'éviter d'égratigner la peinture. La rouille en surface peut être facilement enlevée en appliquant un peu d'huile de cuisson. S'il y a présence d'oxydation en surface (rouille) et qu'aucune mesure n'est prise pour corriger la situation, l'oxydation peut commencer à couler sur la surface d'assemblage et laisser des taches qui peuvent être difficiles à éliminer.

Dimensions (long. x larg. x H.)	55 1/8 x 31 1/8 x 30 1/8 po
---------------------------------	-----------------------------

	140 x 79 x 76.5 cm
--	--------------------

Poids	37 lb (8 oz)
-------	--------------

	17 kg
--	-------

Capacité	250 lb par siège
----------	------------------

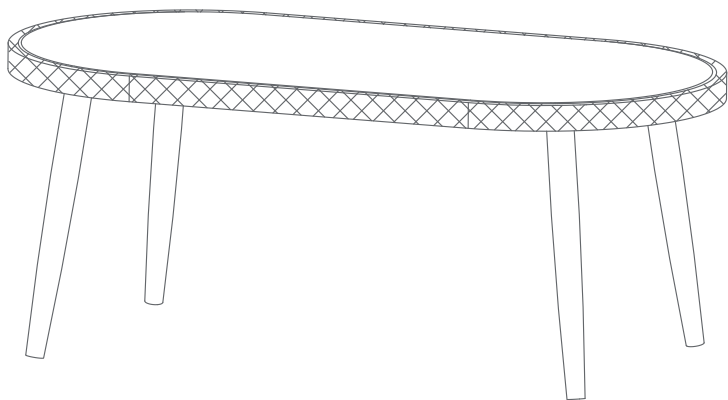
	113,4 kg par siège
--	--------------------

Cet article CANVAS^{MC} comprend une garantie de un (1) an contre les défauts de fabrication et de matériau(x). Distribution Trifeuil consent à remplacer le produit défectueux sans frais lorsqu'il est retourné par l'acheteur original, accompagné de la preuve d'achat, au cours de la période de garantie convenue. Exclusion : usure ou bris causés par un usage abusif ou inapproprié.

CANVAS^{TM/MC}

ENSEMBLE DE DÉTENTE BYWARD, 4 PIÈCES – TABLE

N° de modèle : 088-2209-6



INSTRUCTIONS D'ASSEMBLAGE

Numéro sans frais : 1 888 670-6684

Veillez lire attentivement ce guide avant de procéder à l'assemblage de cet article. Conservez ce guide aux fins de consultation ultérieure.

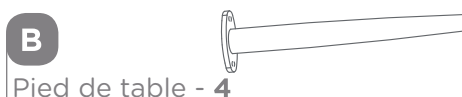
Consignes importantes en matière de sécurité	3
Liste des pièces	4
Préparation de l'assemblage	5
Assemblage	6
Nettoyage et entretien	8
Fiche technique	8
Garantie	9



Avertissement! Pour réduire le risque de blessures graves, lisez les consignes de sécurité suivantes avant d'assembler et d'utiliser la table.

Attention! Surveillez toujours les enfants étroitement lorsqu'ils utilisent cet article ou qu'ils se trouvent à proximité de celui-ci.

- Cet article est uniquement destiné à un usage domestique et doit être utilisé à l'extérieur.
- L'article doit être placé sur une surface plane et horizontale.
- L'assemblage et l'entretien de cet article ne doivent être effectués que par des adultes.
- Au besoin, demandez à d'autres personnes de vous aider à assembler ou à déplacer l'article.
- Certaines pièces peuvent contenir des bords tranchants. Portez des gants de protection si nécessaire.
- Assurez-vous périodiquement que tous les écrous et boulons sont bien serrés. Au besoin, resserrez-les.
- Si l'article n'est pas utilisé pendant une longue période (p. ex. pendant l'hiver), il doit être entreposé dans un environnement propre et sec.
- N'allumez pas un feu à l'intérieur ou près de l'article!
- Ne suspendez aucun poids sur le cadre.
- Conservez l'emballage original aux fins d'entreposage de l'article.



POUR FACILITER L'ASSEMBLAGE, NE SERREZ PAS COMPLÈTEMENT LES BOULONS DANS LE CADRE AVANT D'AVOIR INSÉRÉ TOUS LES BOULONS POUR CETTE ÉTAPE DE MONTAGE. SERREZ TOUS LES BOULONS ET LES AUTRES ÉLÉMENTS DE FIXATION SEULEMENT À LA FIN DE L'ASSEMBLAGE.

**ATTENTION!**

- Ne placez pas l'article en dessous de lignes électriques.
- Tenez les enfants à l'écart de l'article pendant son assemblage.
- Cet article contient des petites pièces que les enfants peuvent avaler.
- Tenez vos doigts éloignés des endroits où ils risquent d'être pincés ou pris.

**Laissez-nous vous aider!**

NE RETOURNEZ PAS VOTRE ARTICLE AU MAGASIN. APPELEZ-NOUS D'ABORD!

1 888 670-6684

Si vous avez des questions concernant votre article, des questions de garantie, ou avez des pièces endommagées ou manquantes, communiquez avec notre service à la clientèle en composant le numéro sans frais. Communiquez avec nous si vous avez besoin d'assistance, nous sommes là pour vous aider.

IMPORTANT : Veuillez lire et bien comprendre ce guide d'utilisation avant de commencer l'assemblage de l'article. Assurez-vous que toutes les pièces sont présentes. Comparez les pièces à la liste de contenu de l'emballage.

S'il manque des pièces, ou si vous avez des questions, communiquez avec le service d'assistance téléphonique en composant le 1 888 670-6684 (sans frais).

Mettez toutes les pièces de la boîte dans une zone dégagée et positionnez-les sur le sol devant vous. Retirez tout le matériel d'emballage et remettez-le dans la boîte. Ne les jetez pas avant d'avoir terminé l'assemblage. Veuillez lire attentivement chaque étape avant de procéder à l'assemblage, et assurez-vous de comprendre toutes les étapes.

Requis pour l'assemblage :

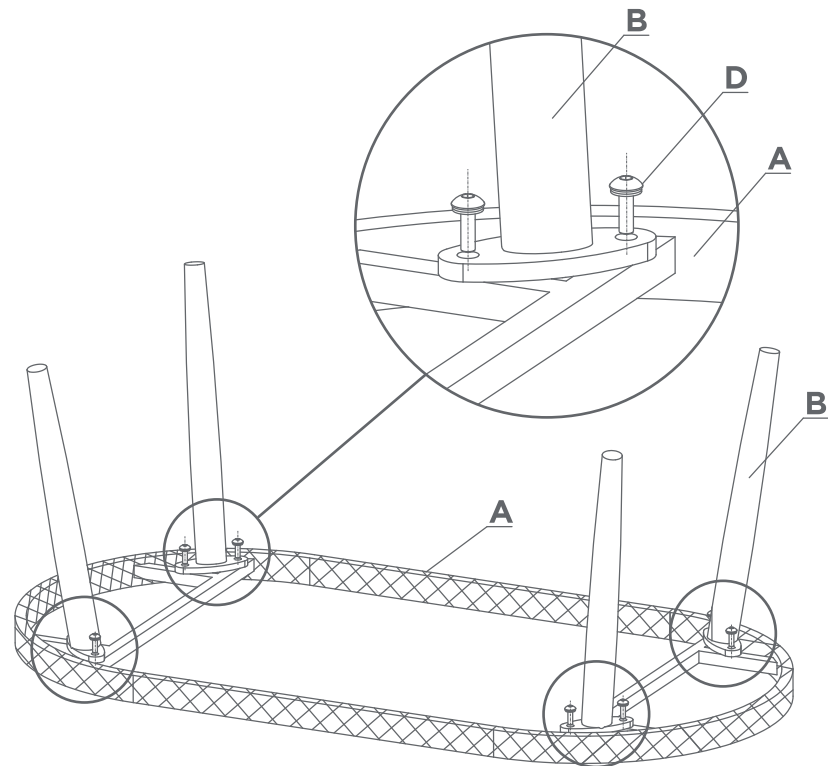


2 personnes

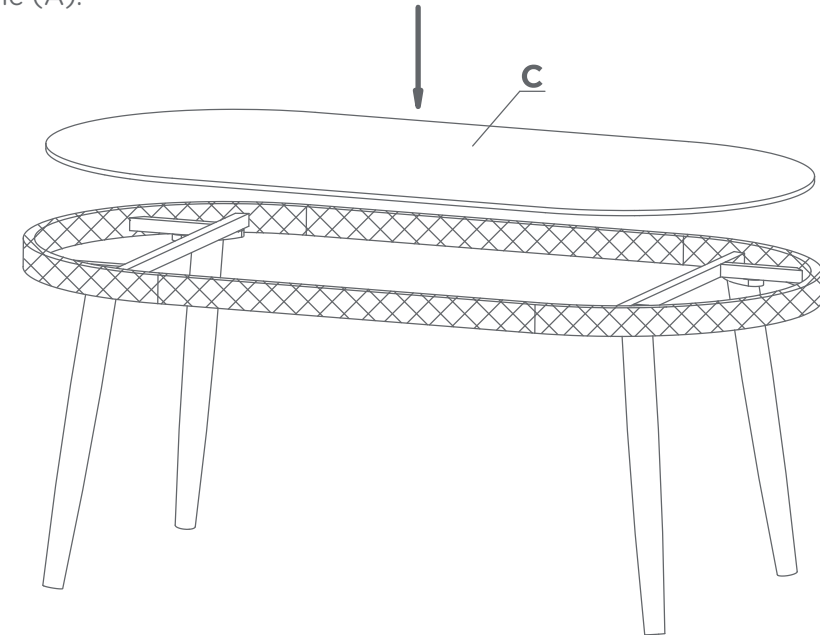
Étape 1Pièces requises : **A, B, AA, BB**

Placez le rebord de table (A) à l'envers sur une surface douce et plane. Alignez les trous de boulons du rebord de table (A) avec les trous de boulons correspondants d'un des pieds de table (B). Insérez les boulons M6x20 avec rondelles (AA) et serrez légèrement les boulons à l'aide de la clé hexagonale (BB). Ne serrez pas complètement les boulons avant que l'assemblage ne soit terminé. Répétez les étapes ci-dessus pour les autres pieds de table.

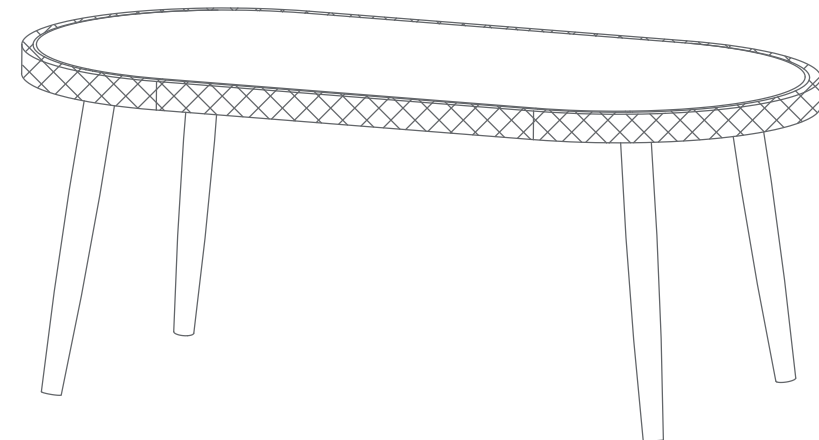
REMARQUE : Ne serrez pas complètement les éléments de fixation.

**Étape 2**Pièces requises : **A, C, BB**

Assurez-vous que tous les boulons sont bien serrés à l'aide de la clé hexagonale (BB). Redressez la table. Placez délicatement le plateau en verre (C) dans le rebord de table (A).

**Étape 3**

Votre table est maintenant prête à l'emploi.



**ATTENTION!**

- Vérifiez tous les écrous et les vis périodiquement pour voir s'ils sont bien serrés, et resserrez-les au besoin.
- Désassemblez la table en suivant les étapes d'assemblage dans l'ordre inverse.
- Désassemblez toujours la table entièrement. Lorsqu'elle est partiellement démontée, la table n'est pas assez stable pour résister au vent et aux intempéries, et peut donc être endommagée ou entraîner des dommages.
- Nettoyez la table avec du savon doux et de l'eau. Rincez bien, et attendez que la table soit entièrement sèche avant de l'assembler à nouveau.

- Utilisez toujours du savon doux – jamais de détergent.
 - L'eau devrait être froide ou tiède, jamais à plus de 25 °C (77 °F).
- Les pièces en acier des accessoires et des meubles de jardin sont traitées avec une peinture antirouille. Toutefois, en raison de la nature de l'acier, un revêtement de protection rayé pourrait entraîner l'oxydation de la surface (rouille). Ceci est un processus naturel. Afin de minimiser cette condition, il est recommandé d'assembler et de manipuler l'article soigneusement afin d'éviter d'égratigner la peinture. La rouille en surface peut être facilement enlevée en appliquant un peu d'huile de cuisson. S'il y a présence d'oxydation en surface (rouille) et qu'aucune mesure n'est prise pour corriger la situation, l'oxydation peut commencer à couler sur la surface d'assemblage et laisser des taches qui peuvent être difficiles à éliminer.

Dimensions (long. x larg. x H.)	40 1/8 x 20 1/2 x 16 1/2 po
---------------------------------	-----------------------------

	102 x 52 x 42 cm
--	------------------

Poids	22 lb (15 oz)
-------	---------------

	10,42 kg
--	----------

Capacité	55 lb
----------	-------

	25 kg
--	-------

Cet article CANVAS^{MC} comprend une garantie de un (1) an contre les défauts de fabrication et de matériau(x). Distribution Trifeuil consent à remplacer le produit défectueux sans frais lorsqu'il est retourné par l'acheteur original, accompagné de la preuve d'achat, au cours de la période de garantie convenue. Exclusion : usure ou bris causés par un usage abusif ou inapproprié.