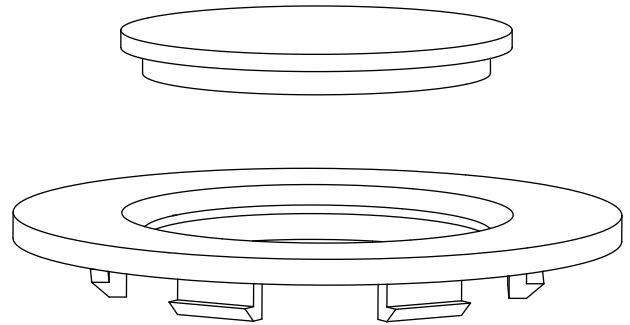


Umbrella Table Ring Use and Care Guide

Operation

1 Using the Table Ring

- Insert into patio table with umbrella hole.
- The table ring acts as a protective barrier between the umbrella pole and patio table.
- Also includes a plug to fill umbrella hole in table when umbrella is not in use.
- Fits standard 2 in. umbrella table hole.



WARNING: CHOKE HAZARD Contains small parts.
Not suitable for children under 3 years.

Care and Cleaning

- For best results, clean the ring with damp cloth, and dry thoroughly. This will help prevent mildew by removing dirt particles that may accumulate.
- Do not clean with abrasive materials, bleach or solvents.
- Store the ring in a dry, sheltered place when not in use.
- Keep the ring away from fire, extreme heat, freezing conditions, and inclement weather such as rain, hail, sleet, snow, or wind.

Warranty

No warranty is provided for this item.

For questions or concerns about this product contact the Customer Service Team 8 a.m.- 6 p.m. EST
Monday through Friday at 1-888-628-1888 or visit www.HomeDepot.com.