

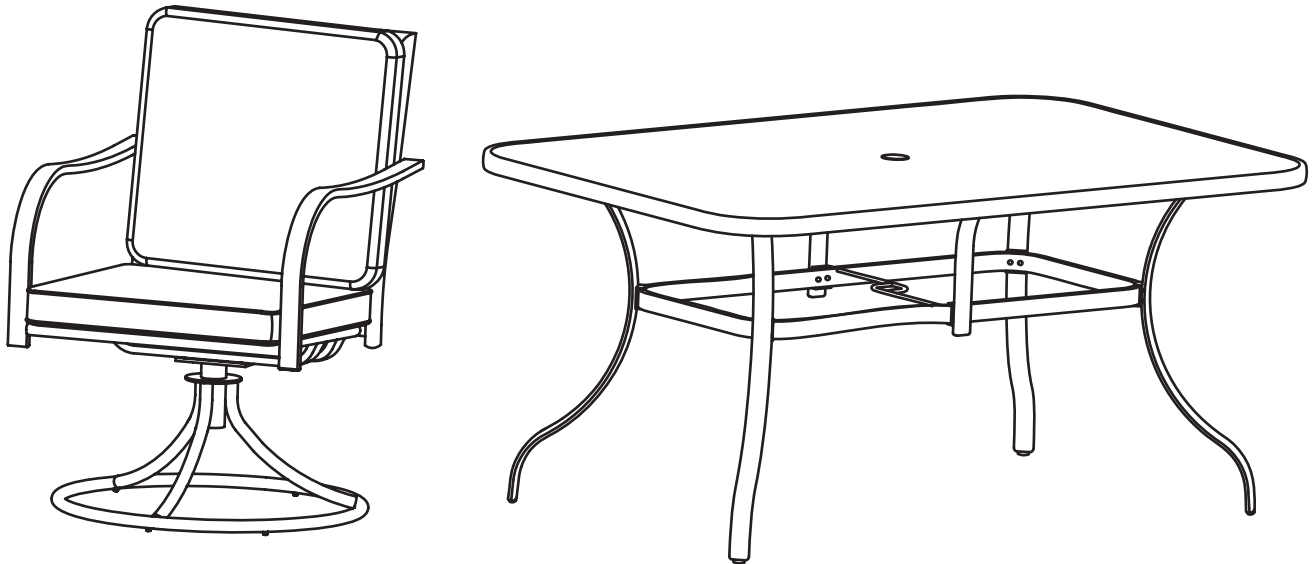
Item # 1001 025 220  
Model # FSS60523-ST

# HAMPTON BAY<sup>®</sup>

## USE AND CARE GUIDE

---

### VESTRI 7-PIECE DINING SET



Questions, problems, missing parts? Before returning to the store,  
call Hampton Bay Customer Service.  
8 a.m. - 7 p.m., EST, Monday - Friday, 9 a.m. - 6 p.m., EST, Saturday

**1-855-HD-HAMPTON**

**HOMEDEPOT.CA**

---

#### **THANK YOU**

*We appreciate the trust and confidence you have placed in Hampton Bay through the purchase of this dining set. We strive to continually create quality products designed to enhance your home. Visit us online to see our full line of products available for your home improvement needs. Thank you for choosing Hampton Bay!*

# Table of Contents

Table of Contents .....	2	Pre-Assembly .....	3
Important Safety Instructions .....	2	Planning Assembly .....	3
Save These Instructions .....	2	Hardware Included .....	3
Read All Instructions Before Use .....	2	Swivel Chair Package Contents .....	4
Warranty .....	3	Table Package Contents .....	5
What is Covered .....	3	Swivel Chair Assembly .....	6
What is Not Covered .....	3	Table Assembly .....	9
		Care and Cleaning.....	11

## Important Safety Instructions

### SAVE THESE INSTRUCTIONS



**WARNING:** This dining set was made for the explicit purpose of providing outdoor functions and is not to be used as a toy. This product is intended for normal outdoor use; however, the manufacturer recommends storing and / or covering this set when any formidable / severe weather is approaching.



**WARNING:** Do not locate this product near open flames. Do not use this product as a support. Do not shake, lean or climb on the product. Children under the age of 10, near the product, should be supervised by a competent adult at all times. This product is NOT intended for commercial use and will void the warranty.

### READ ALL INSTRUCTIONS BEFORE USE

To reduce the risk of injury to persons:

1. Close supervision is necessary when this product is used by or near children, or disabled persons, if applicable.
2. Use this product only for its intended use as described in these instructions. Do not use attachments not recommended by the manufacturer.
3. Do not move the chairs while the chairs are occupied. Failure to obey this caution could result in injury.
4. Do not rock in the chair as you may fall and cause serious injury.
5. Please keep children out of the assembly area before assembly.
6. This table is not intended to support an umbrella. Umbrellas must have a suitable base or stand.



**WARNING:** Weight limit for the chairs is 250 lbs (113.39 kg) for each seat.



**WARNING:** This dining set is heavy, and may require two adults for safe assembly.



**WARNING:** Do not place heavy objects on the chair.



**WARNING:** Do not place heavy objects on the table top.



**CAUTION:** When not in use, secure the product in a cool and covered location.

# Warranty

## 2 YEAR FRAME AND 2 YEAR FABRIC LIMITED WARRANTY

### WHAT IS COVERED

We warrant the frames to be free of manufacturing defects to the original purchaser for two years, and a two year limited warranty for the fabric.

### WHAT IS NOT COVERED

It remains the customer's responsibility for freight and packaging charges to and from our service center. This warranty does not cover commercial use, hardware, acts of nature, fire, freezing and abusive use. In addition, purchased parts are not covered under this warranty. We reserve the right to make substitutions with similar merchandise, if the model in question is no longer in production.

Contact the Customer Service Team at 1-855-HD-HAMPTON or visit [www.homedepot.ca](http://www.homedepot.ca).

# Pre-Assembly

## PLANNING ASSEMBLY

Read all instructions before assembly.

To avoid damaging this product, assemble it on a soft, non-abrasive surface such as carpet or cardboard.



**NOTE:** More than one person may be required to assemble this product.

## HARDWARE INCLUDED



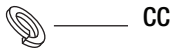
**NOTE:** Hardware not shown to actual size.



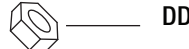
AA



BB



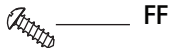
CC



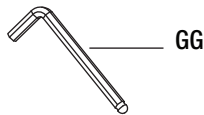
DD



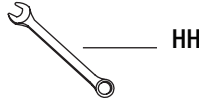
EE



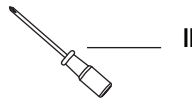
FF



GG



HH

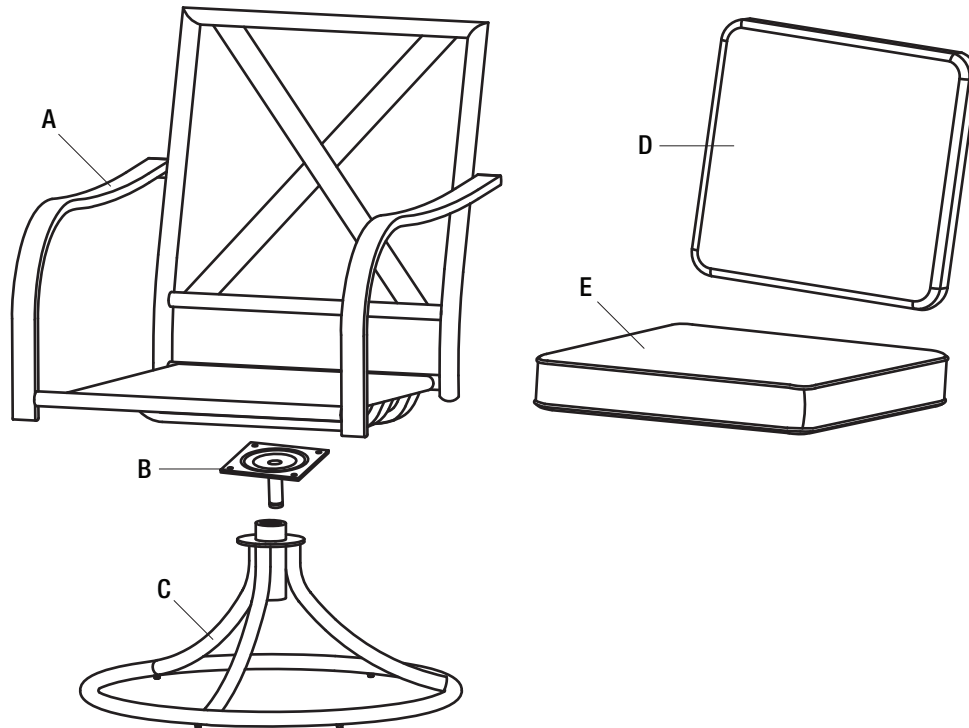


II

Part	Description	Quantity
AA	M8x35 combination hex bolt	8+1
BB	M8 washer	8+1
CC	M8 spring washer	8+1
DD	M8 nut	8+1
EE	M6x25 combination bolt	12+1
FF	ST5X12 screw	2+1
GG	Hex wrench	1
HH	Wrench	2
II	Screwdriver	1

# Pre-Assembly (continued)

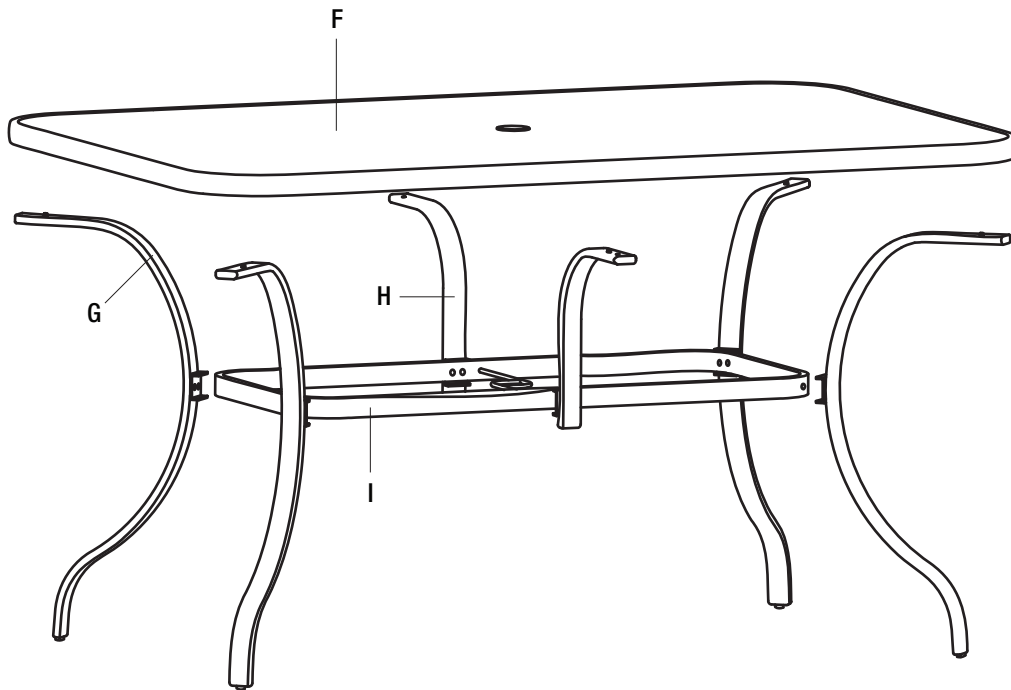
## SWIVEL CHAIR PACKAGE CONTENTS



Part	Description	Quantity
A	Chair frame	2
B	Support tube	2
C	Chair base	2
D	Back cushion	2
E	Seat cushion	2

# Pre-Assembly (continued)

## TABLE PACKAGE CONTENTS

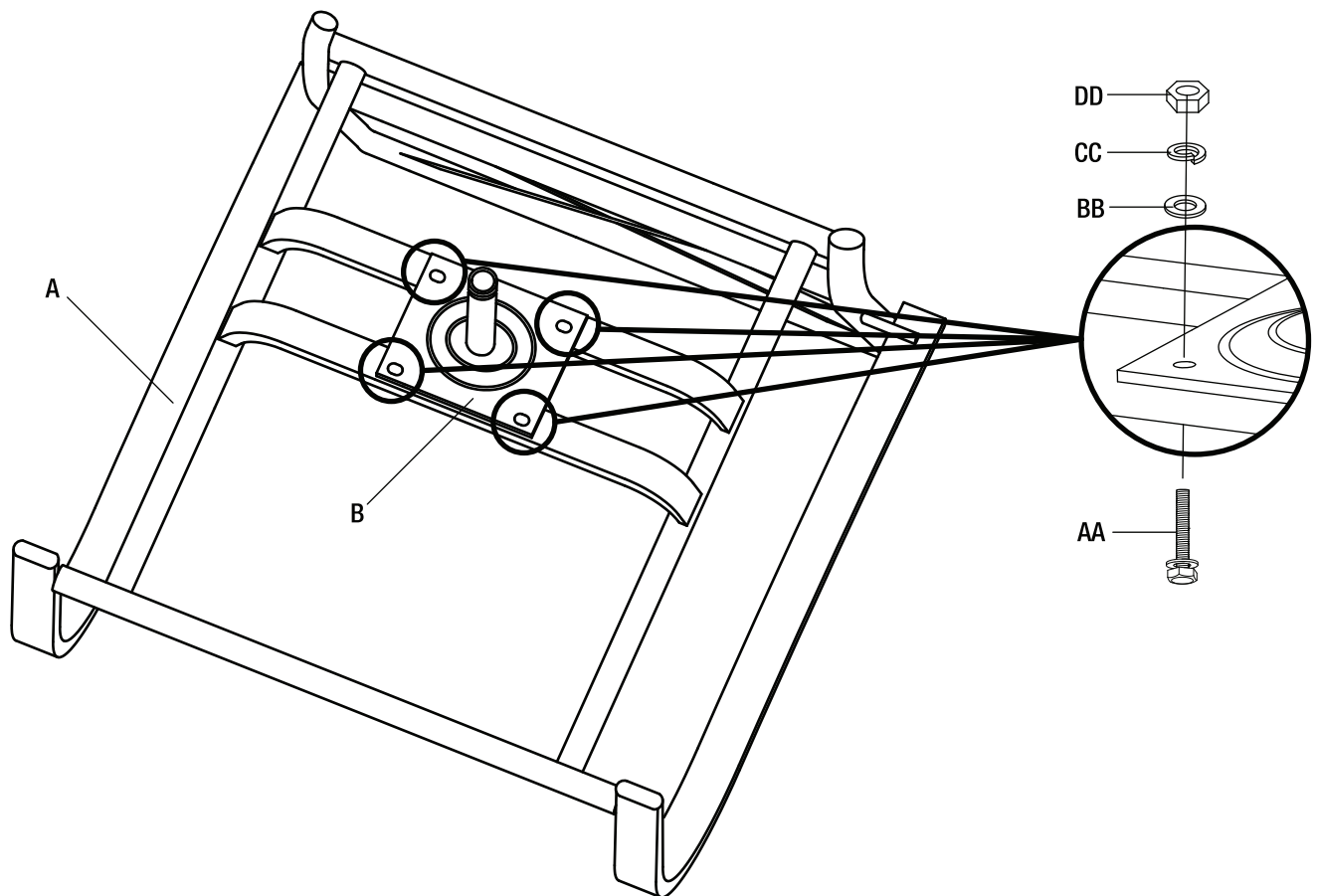


Part	Description	Quantity
F	Table top	1
G	Table leg	4
H	Support tube	2
I	Leg connector	1

# Swivel Chair Assembly

## 1 CONNECTING THE SUPPORT TUBE TO THE CHAIR FRAME

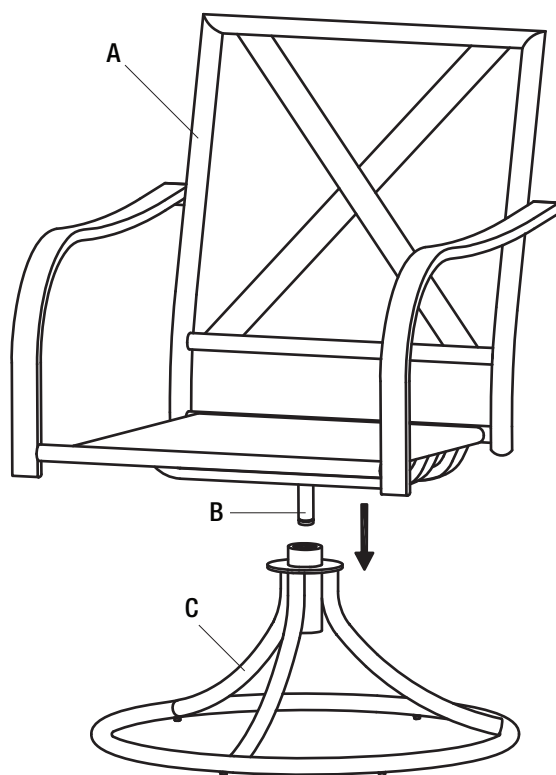
- Place the chair frame (A) upside down on a soft surface.
- Attach the support tube (B) to the chair frame (A) by inserting M8x35 combination hex bolts (AA) through the chair frame (A), the support tube (B), M8 washers (BB) and M8 spring washers (CC), into M8 nuts (DD).
- Once all of the bolts are in place, fully tighten the bolts using the wrench (HH).



## Swivel Chair Assembly (continued)

### 2 CONNECTING THE SUPPORT TUBE TO THE CHAIR BASE

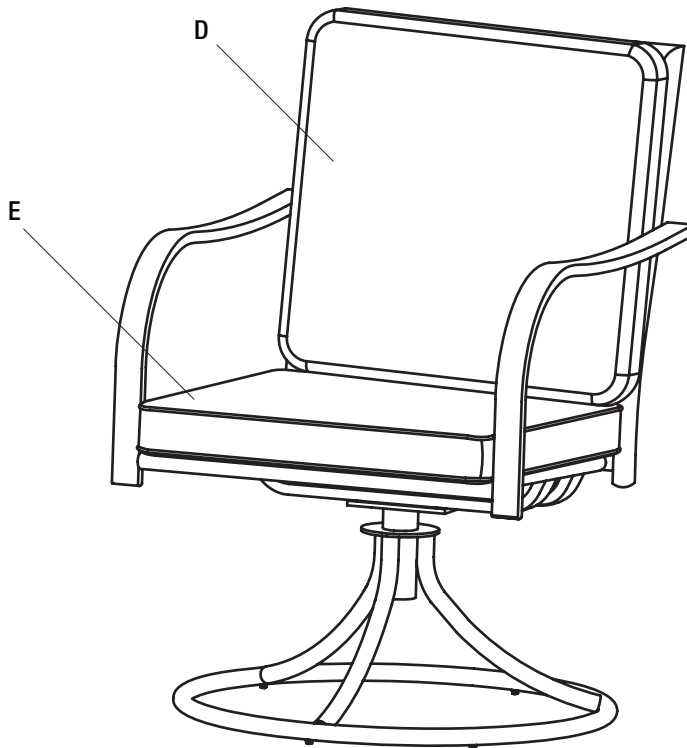
- Turn the assembled chair frame right side up.
- Insert the support tube (B) into the chair base (C).



## Swivel Chair Assembly (continued)

### 3 CHECKING THE CHAIR

- Ensure all connections are secure before use.
- Place the seat cushion (E) and the back cushion (D) to finish the assembly of the swivel chair.

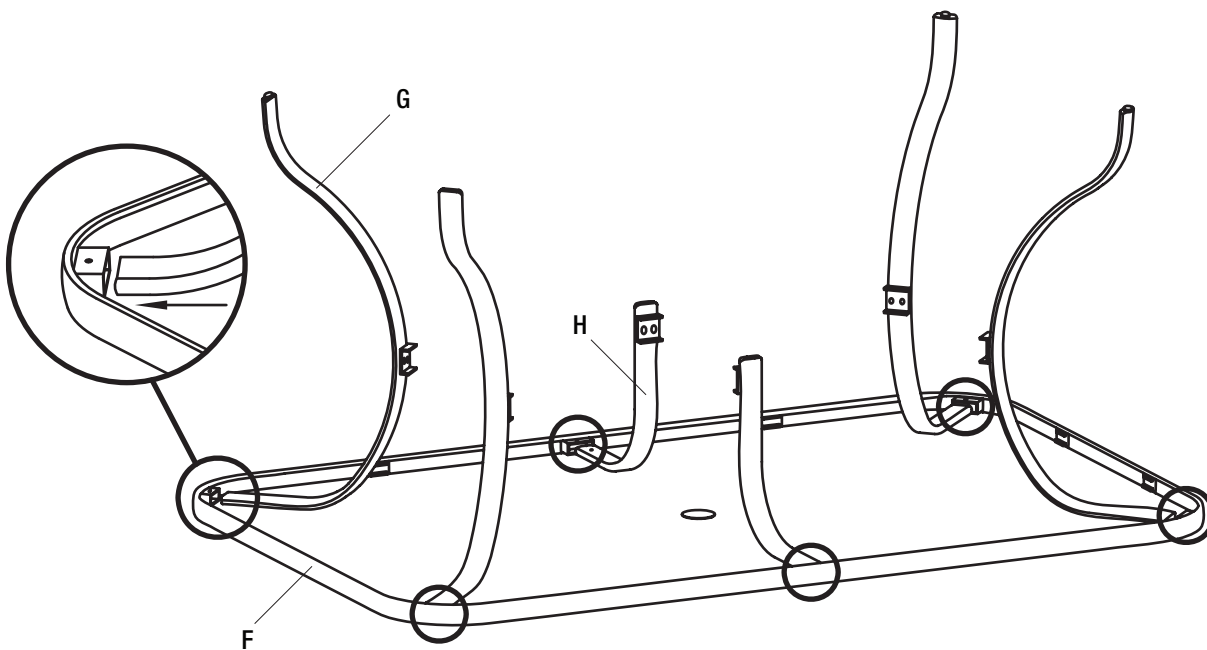




# Table Assembly

## 1 CONNECTING THE TABLE LEGS AND THE SUPPORT TUBES TO THE TABLE TOP

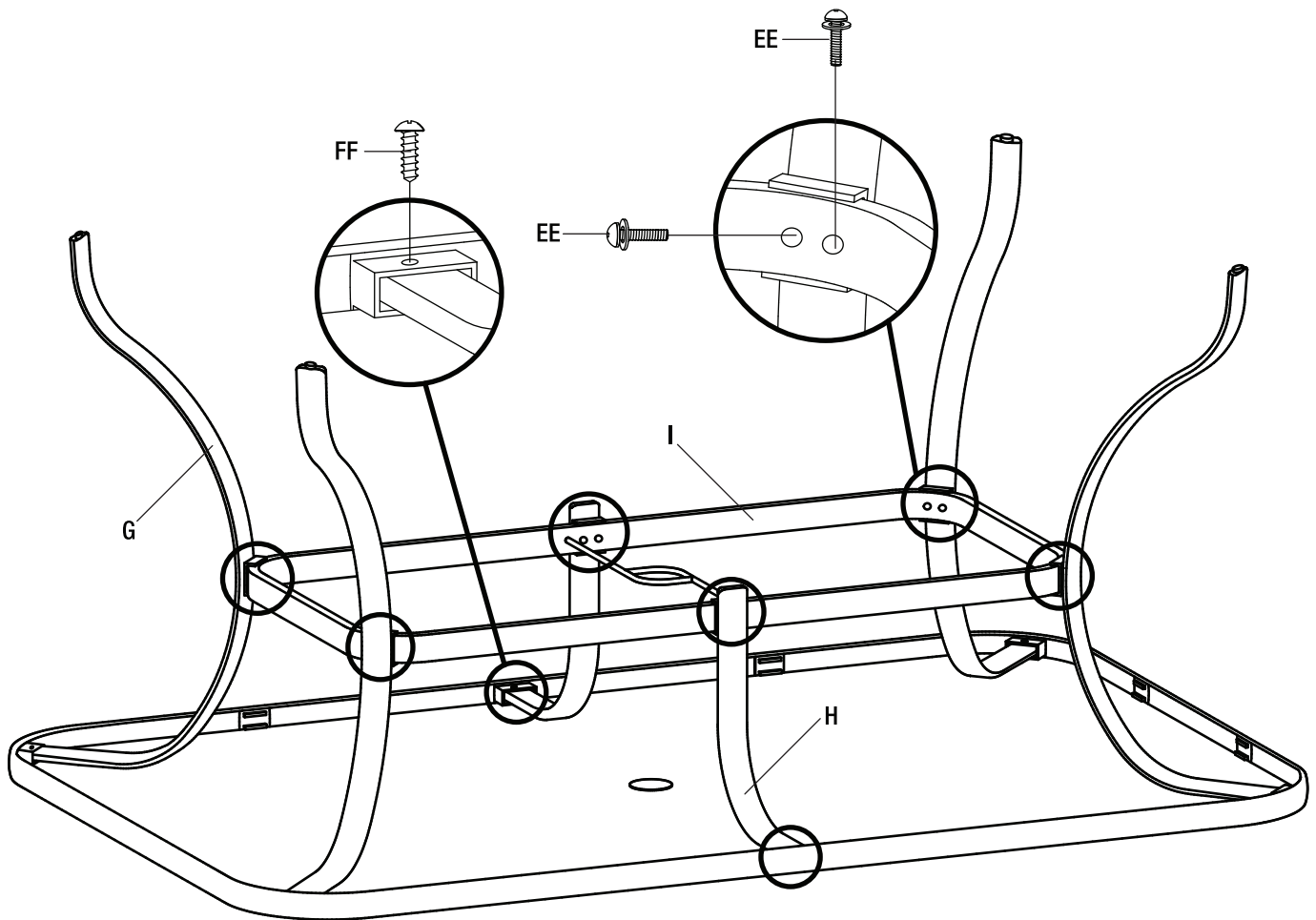
- Place the table top (F) upside down on a soft surface.
- Attach the table legs (G) and the support tubes (H) to the table top (F).



## Table Assembly (continued)

### 2 ATTACHING THE LEG CONNECTOR

- Attach the leg connector (I) to the table legs (G) and the support tubes (H) using M6x25 combination bolts (EE).
- Loosely tighten the M6x25 combination bolts (EE) using the hex wrench (GG).
- Secure the support tubes (H) to the table top (A) by using ST5X12 screws (FF). Loosely tighten using the screwdriver (II).
- Once all of the bolts and the screws are in place, fully tighten the bolts and the screws.



## Table Assembly (continued)

### 3 CHECKING THE TABLE

- Turn the table right side up.
- Ensure all connections are secure before use.



## Care and Cleaning

- For best results, clean the frame and fabric with a damp cloth and dry thoroughly. This will help prevent mildew by removing dirt particles that may accumulate.
- Do not clean with abrasive materials, bleach, or solvents.
- Store the set in a dry, sheltered place when not in use.
- Keep the set away from fire, extreme heat, freezing conditions, and inclement weather such as rain, hail, sleet, snow, or wind.

# HAMPTON BAY®

Questions, problems, missing parts? Before returning to the store,  
call Hampton Bay Customer Service.  
8 a.m. - 7 p.m., EST, Monday - Friday, 9 a.m. - 6 p.m., EST, Saturday

**1-855-HD-HAMPTON**

**HOMEDEPOT.CA**

Retain this manual for future use.

For certification use only
Factory chair ID # FSS60523BS Factory table ID # FTS60915