

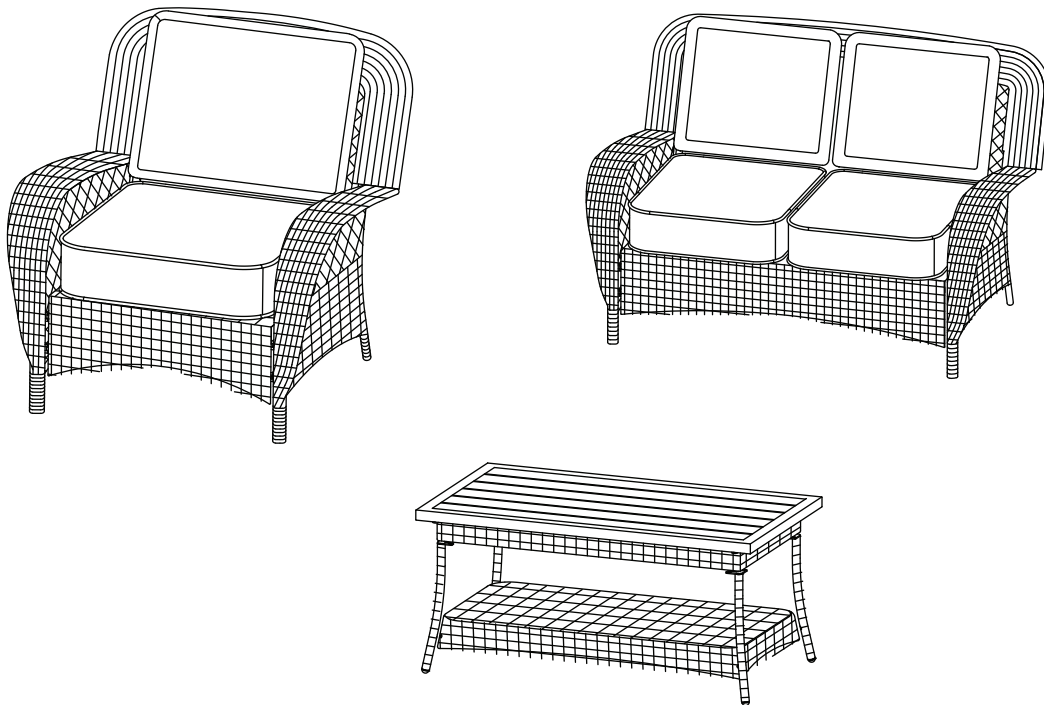
Item # 1001 074 528  
1001 189 700  
1001 186 712  
Model # FRS80812C-ST-1  
FRS80812C-ST-10  
FRS80812C-ST-1B

# HAMPTON BAY<sup>®</sup>

## USE AND CARE GUIDE

---

### BEACON PARK STEEL 4-PIECE DEEP SEATING SET



Questions, problems, missing parts? Before returning to the store,  
call Hampton Bay Customer Service.  
8 a.m. - 7 p.m., EST, Monday - Friday, 9 a.m. - 6 p.m., EST, Saturday

**1-855-HD-HAMPTON**

**HOMEDEPOT.CA**

---

#### THANK YOU

*We appreciate the trust and confidence you have placed in Hampton Bay through the purchase of this seating set. We strive to continually create quality products designed to enhance your home. Visit us online to see our full line of products available for your home improvement needs. Thank you for choosing Hampton Bay!*

# Table of Contents

Table of Contents.....	2	Pre-Assembly .....	3
Important Safety Instructions .....	2	Planning Assembly .....	3
Save These Instructions .....	2	Hardware Included .....	3
Read All Instructions Before Use .....	2	Club Chair Package Contents .....	4
Warranty .....	3	Loveseat Package Contents .....	5
What is Covered .....	3	Coffee Table Package Contents .....	6
What is Not Covered .....	3	Club Chair Assembly .....	7
		Loveseat Assembly .....	12
		Coffee Table Assembly .....	17
		Care and Cleaning .....	19

## Important Safety Instructions

### SAVE THESE INSTRUCTIONS



**WARNING:** This seating set was made for the explicit purpose of providing outdoor functions and is not to be used as a toy. This product is intended for normal outdoor use; however, the manufacturer recommends storing and / or covering this set when any formidable / severe weather is approaching.



**WARNING:** Do not locate this product near open flames. Do not use this product as a support. Do not shake, lean or climb on the product. Children under the age of 10, near the product, should be supervised by a competent adult at all times. This product is NOT intended for commercial use and will void the warranty.

### READ ALL INSTRUCTIONS BEFORE USE

To reduce the risk of injury to persons:

1. Close supervision is necessary when this product is used by or near children, or disabled persons, if applicable.
2. Use this product only for its intended use as described in these instructions. Do not use attachments not recommended by the manufacturer.
3. Do not move the chairs while the chairs are occupied. Failure to obey this caution could result in injury.
4. Do not rock in the chair as you may fall and cause serious injury.
5. Please keep children out of the assembly area before assembly.



**WARNING:** Do not place heavy objects on the table.



**WARNING:** Do not place heavy objects on the chair.



**WARNING:** Weight limit for chair is 300 lbs (136.07 Kg) for each seat.



**WARNING:** This seating set unit is heavy, and may require two adults for safe assembly.



**CAUTION:** Do not locate the product near any heat source.



**CAUTION:** When not in use, secure the product in a cool and covered location.

# Warranty

## 2 YEAR FRAME AND 2 YEAR FABRIC LIMITED WARRANTY

### WHAT IS COVERED

We warrant the frames to be free of manufacturing defects to the original purchaser for two years, and a two year limited warranty for the fabric.

### WHAT IS NOT COVERED

It remains the customer's responsibility for freight and packaging charges to and from our service center. This warranty does not cover commercial use, hardware, acts of nature, fire, freezing and abusive use. In addition, purchased parts are not covered under this warranty. We reserve the right to make substitutions with similar merchandise, if the model in question is no longer in production.

Contact the Customer Service Team at 1-855-HD-HAMPTON or visit [www.homedepot.ca](http://www.homedepot.ca).

# Pre-Assembly

## PLANNING ASSEMBLY

Read all instructions before assembly.

To avoid damaging this product, assemble it on a soft, non-abrasive surface such as carpet or cardboard.



**NOTE:** More than one person may be required to assemble this product.

## HARDWARE INCLUDED



**NOTE:** Hardware not shown to actual size.



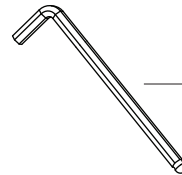
AA



BB



CC

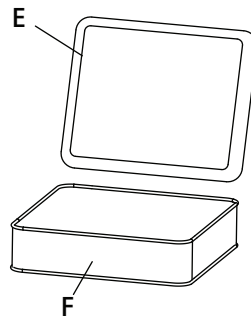
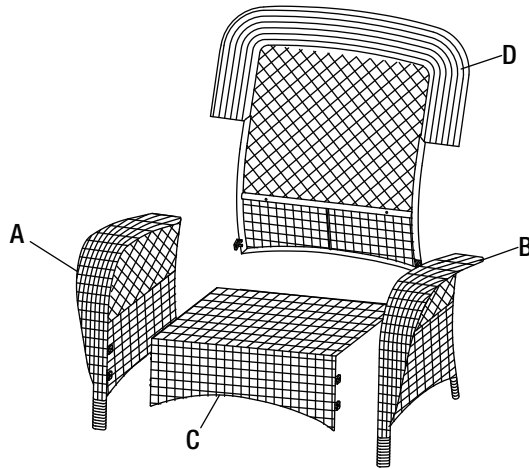


DD

Part	Description	Quantity
AA	M6x20 combination bolt	26+1
BB	M6x40 combination bolt	4+1
CC	M6x50 combination bolt	12+1
DD	Hex wrench	1

# Pre-Assembly (continued)

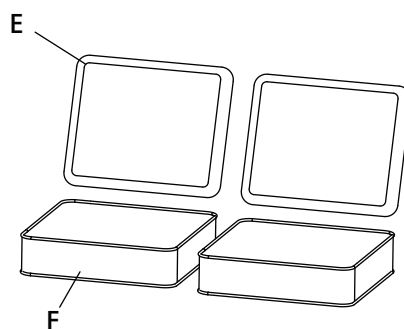
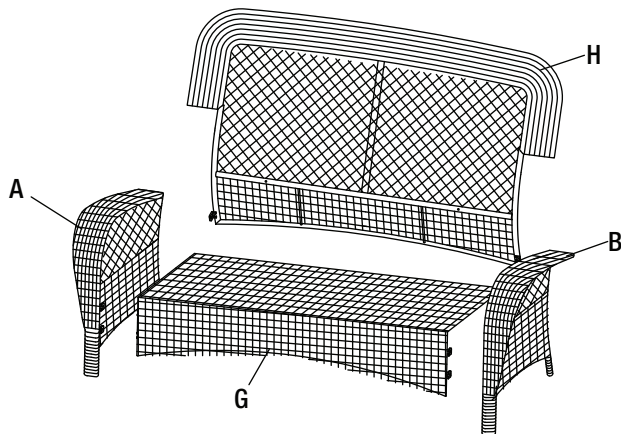
## CLUB CHAIR PACKAGE CONTENTS



Part	Description	Quantity
A	Right arm	2
B	Left arm	2
C	Club chair seat	2
D	Club chair back	2
E	Back cushion	2
F	Seat cushion	2

# Pre-Assembly (continued)

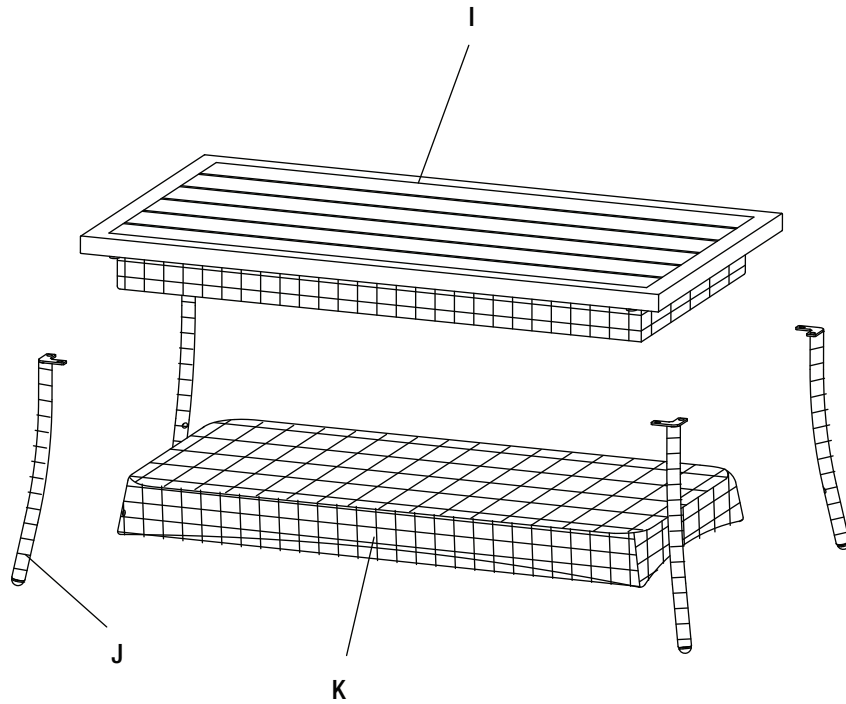
## LOVESEAT PACKAGE CONTENTS



Part	Description	Quantity
A	Right arm	1
B	Left arm	1
E	Back cushion	2
F	Seat cushion	2
G	Loveseat seat	1
H	Loveseat back	1

# Pre-Assembly (continued)

## COFFEE TABLE PACKAGE CONTENTS

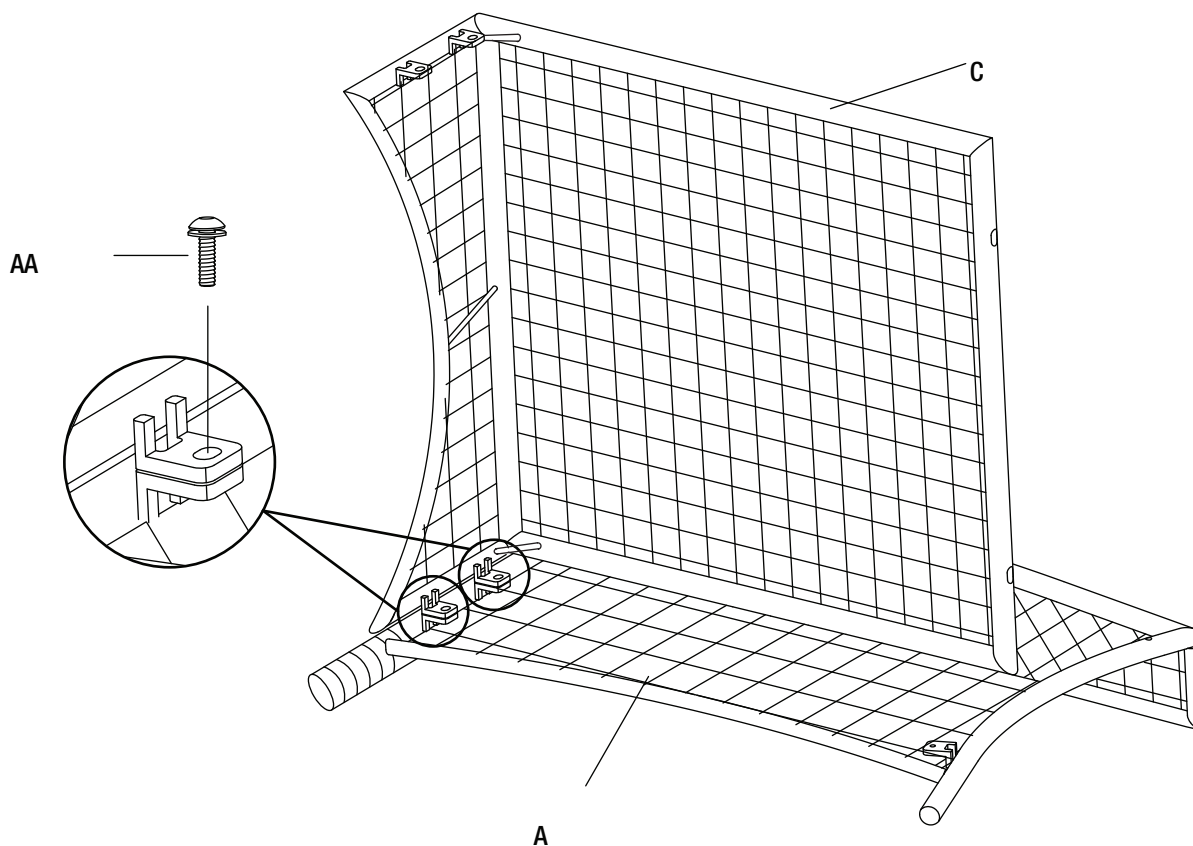


Part	Description	Quantity
I	Table top	1
J	Table leg	4
K	Leg connector	1

# Club Chair Assembly

## 1 ATTACHING THE CLUB CHAIR SEAT TO THE RIGHT ARM

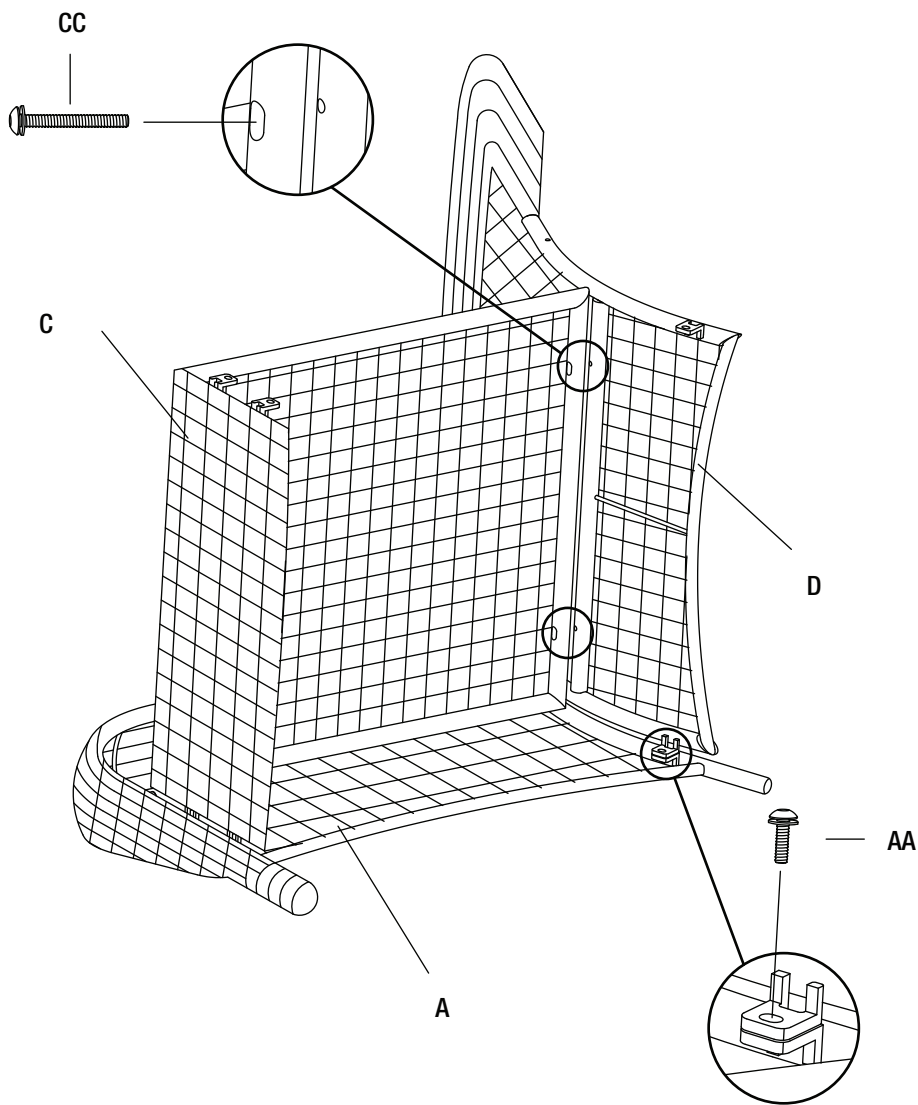
- Place the right arm (A) on a soft surface.
- Align the holes on the right panel of the club chair seat (C) to the holes on the front of the right arm (A), and secure by M6x20 combination bolts (AA).
- Do not fully tighten all the bolts at this step.



# Club Chair Assembly (continued)

## 2 ATTACHING THE CLUB CHAIR BACK TO THE RIGHT ARM AND THE CLUB CHAIR SEAT

- Attach the club chair back (D) to the right arm (A) and the club chair seat (C) using an M6x20 combination bolt (AA) and M6X50 combination bolts (CC).
- Do not fully tighten all the bolts at this step.

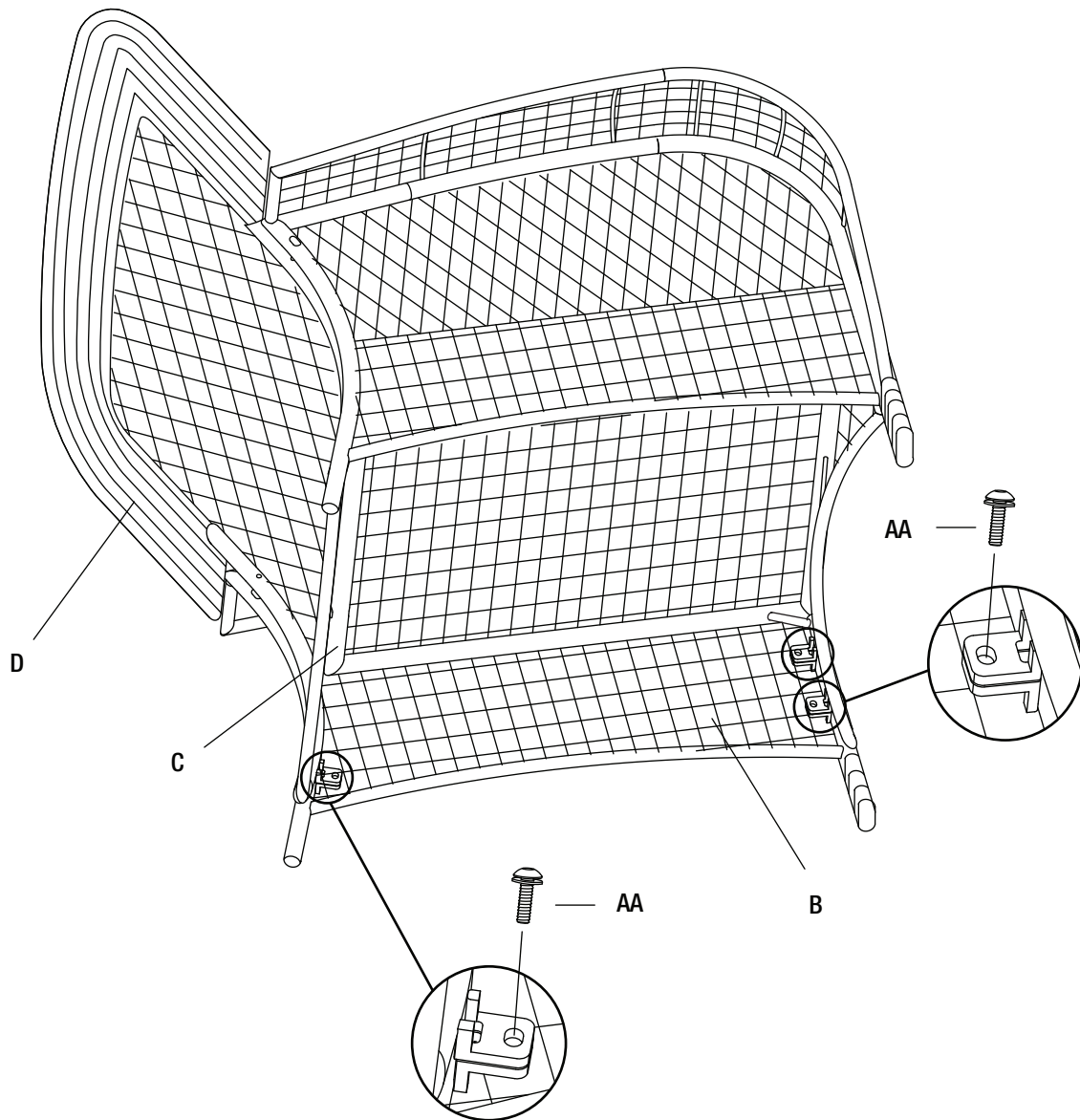




## Club Chair Assembly (continued)

### 3 CONNECTING THE LEFT ARM TO THE CLUB CHAIR SEAT AND THE CLUB CHAIR BACK

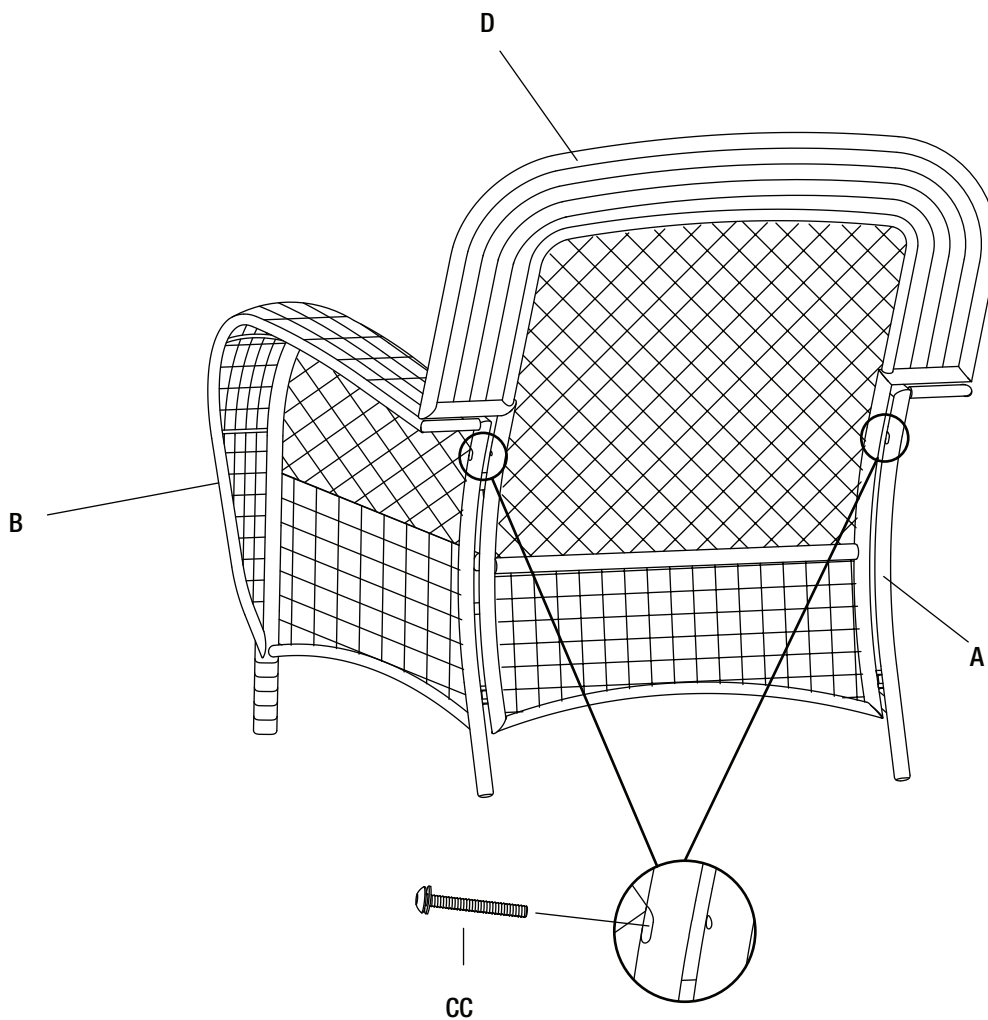
- Connect the left arm (B) to the club chair seat (C) and the club chair back (D) using M6x20 combination bolts (AA).
- Do not fully tighten all the bolts at this step.



## Club Chair Assembly (continued)

### 4 ATTACHING THE ARMS TO THE CLUB CHAIR BACK

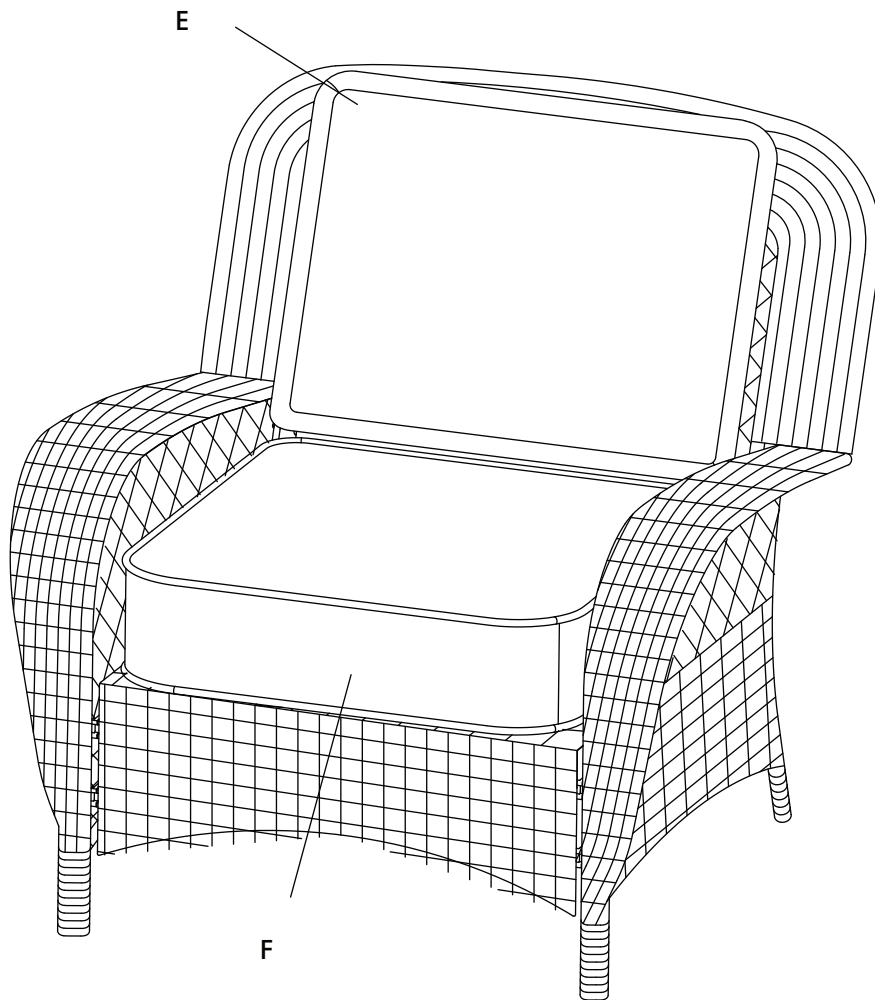
- Turn the club chair right side up.
- Connect the back of the right and the left arm (A & B) to the club chair back (D) by using M6x50 combination bolts (CC).
- Do not tighten all the bolts at this step.



## Club Chair Assembly (continued)

### 5 CHECKING THE CLUB CHAIR

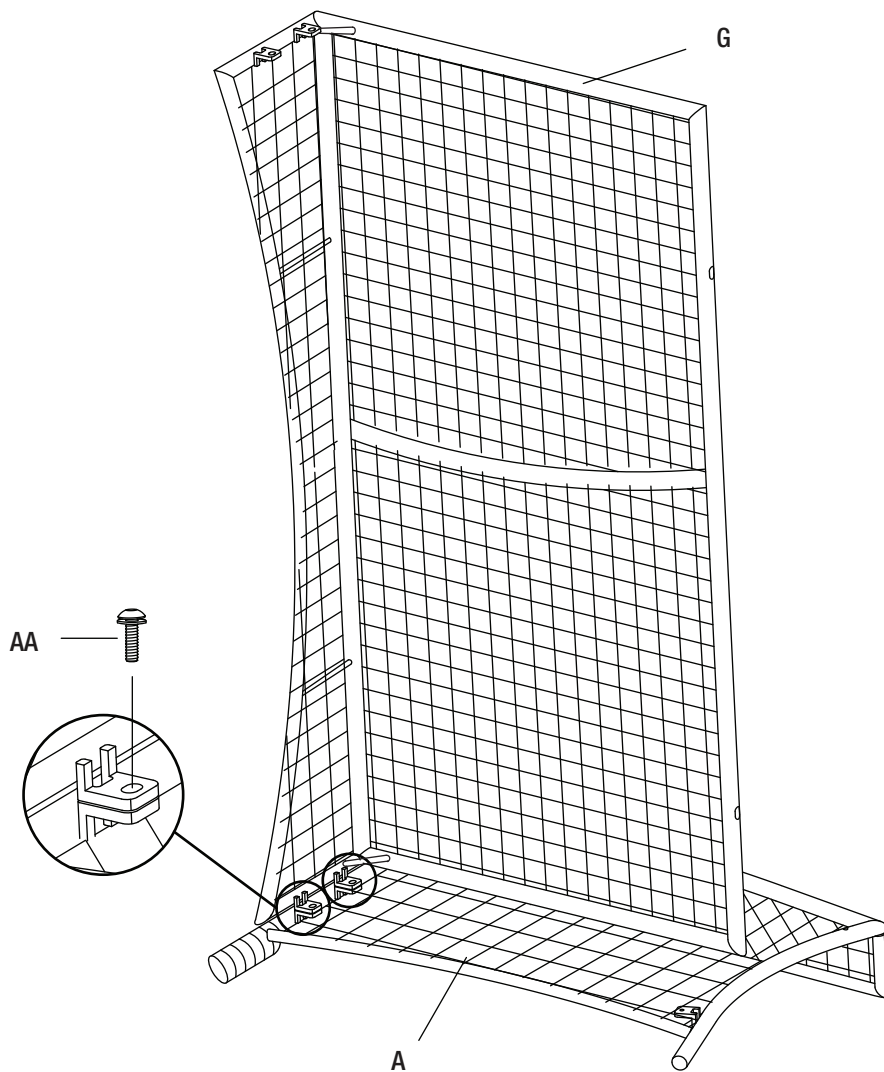
- Once all of the bolts are in place, fully tighten the bolts.
- Ensure all connections are secure before use.
- Place the seat cushion (F) and the back cushion (E) to finish the assembly of the club chair.



# Loveseat Assembly

## 1 CONNECTING THE RIGHT ARM TO THE LOVESEAT SEAT

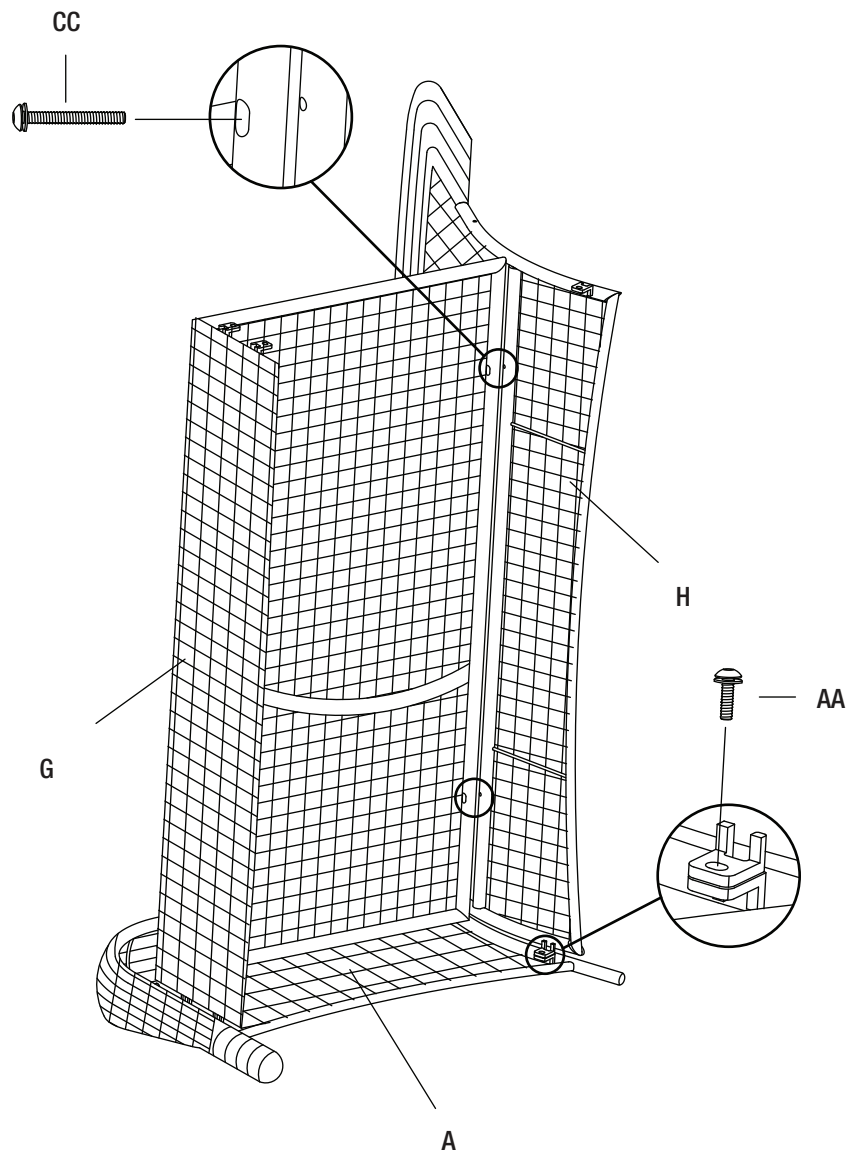
- Place the right arm (A) on the soft surface.
- Align the holes on the right panel of the loveseat seat (G) to the holes on the front of the right arm (A), and secure by M6x20 combination bolts (AA) using the hex wrench (DD).
- Do not fully tighten all the bolts at this step.



## Loveseat Assembly (continued)

### 2 ATTACHING THE LOVESEAT BACK TO THE RIGHT ARM AND THE LOVESEAT SEAT

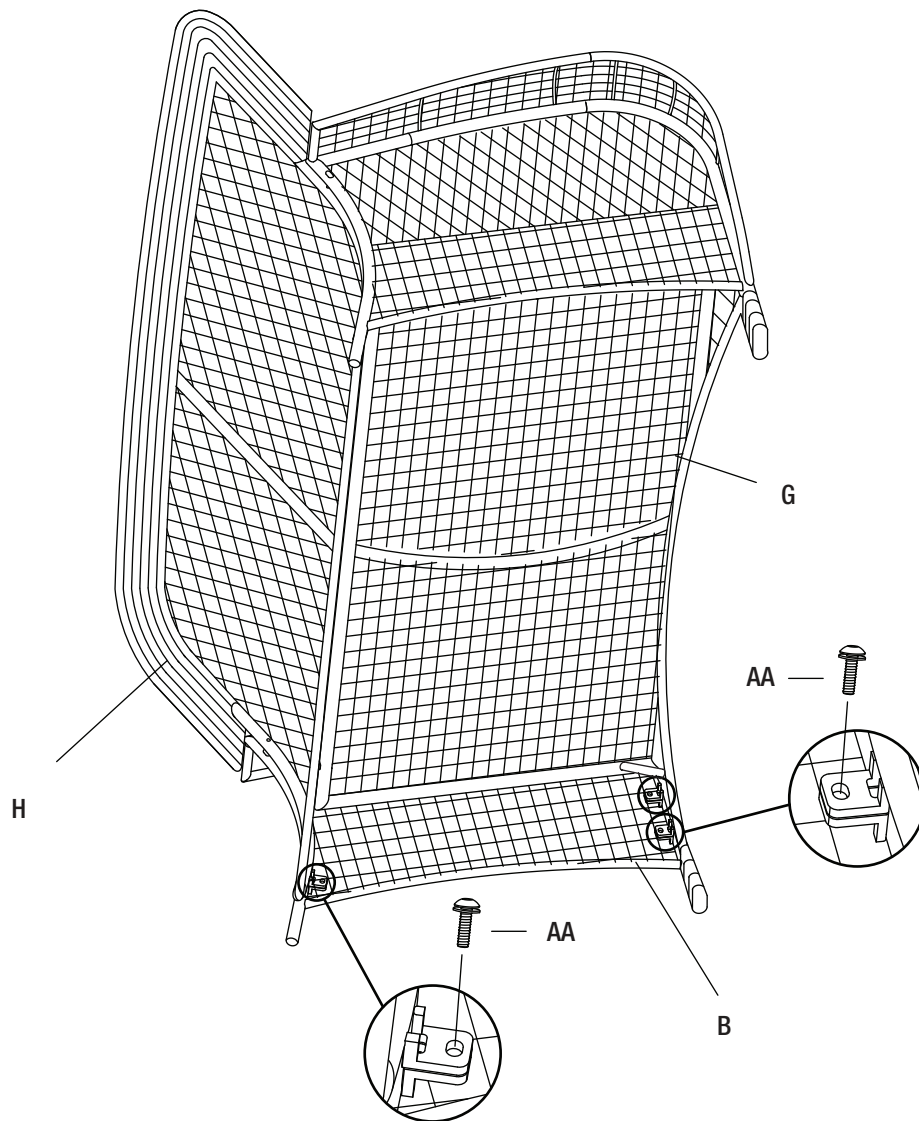
- Attach the loveseat back (H) to the right arm (A) and the loveseat seat (G) using an M6x20 combination bolt (AA) and M6x50 combination bolts (CC).
- Do not fully tighten all the bolts at this step.



## Loveseat Assembly (continued)

### 3 CONNECTING THE LEFT ARM TO THE LOVESEAT SEAT AND THE LOVESEAT BACK

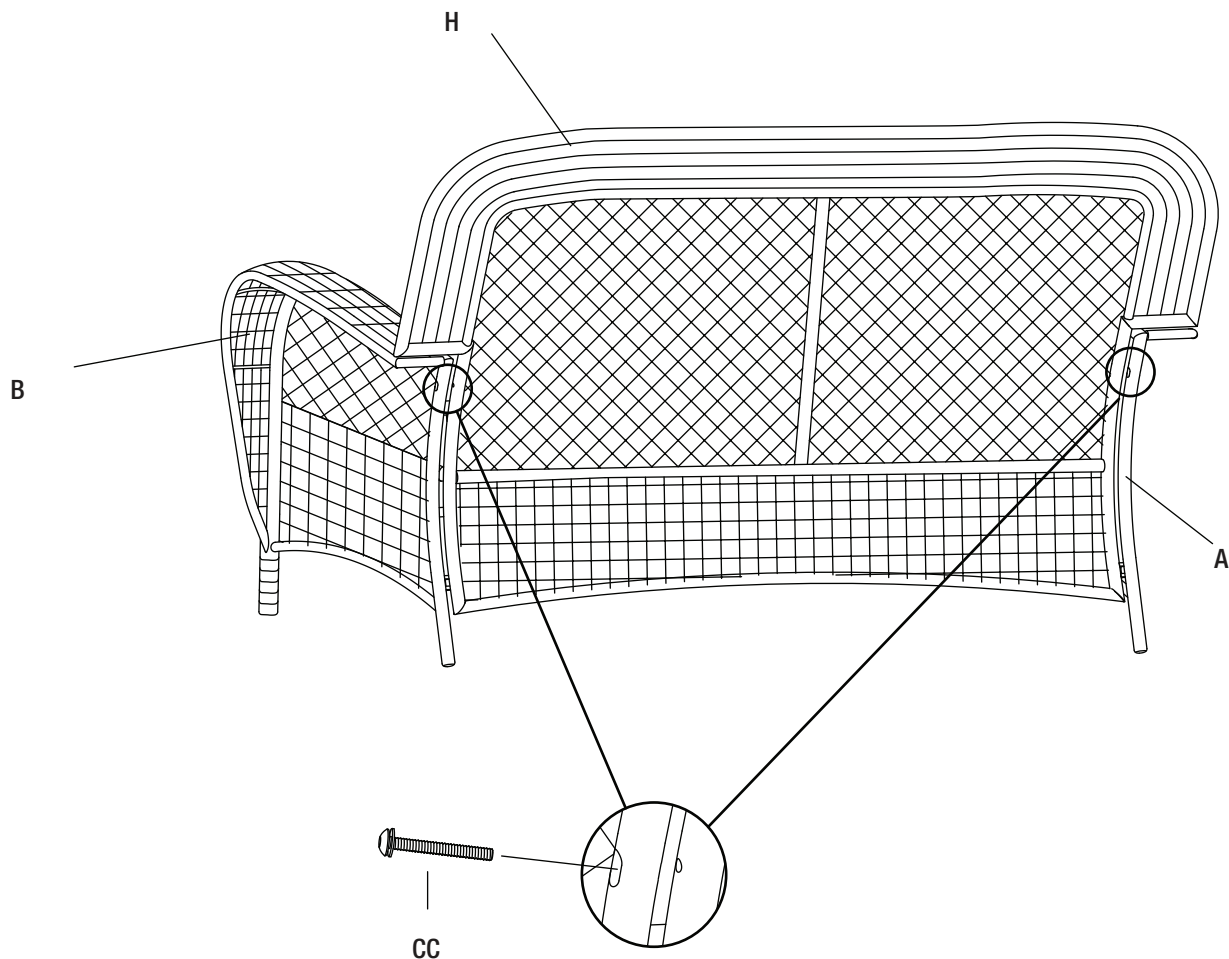
- Connect the left arm (B) to the loveseat seat (G) and the loveseat back (H) using M6x20 combination bolts (AA).
- Do not fully tighten all bolts at this step.



# Loveseat Assembly (continued)

## 4 CONNECTING THE ARMS TO THE BACKREST

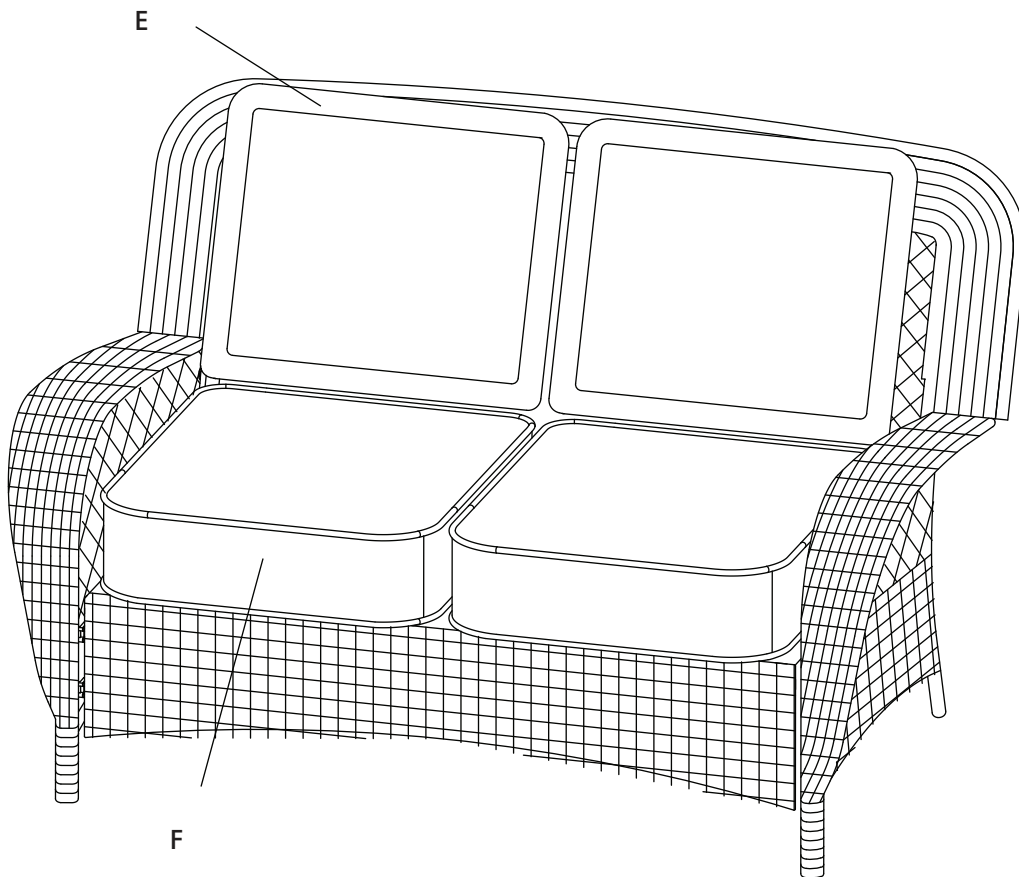
- Turn the loveseat right side up.
- Connect the back of the right and the left arm (A & B) to the loveseat back (H) using M6x50 combination bolts (CC).
- Do not tighten all the bolts at this step.



## Loveseat Assembly (continued)

### 5 CHECKING THE LOVESEAT

- Once all of the bolts are in place, fully tighten the bolts.
- Ensure all connections are secure before use.
- Place the seat cushions (F) and the back cushions (E) to finish the assembly of the loveseat.

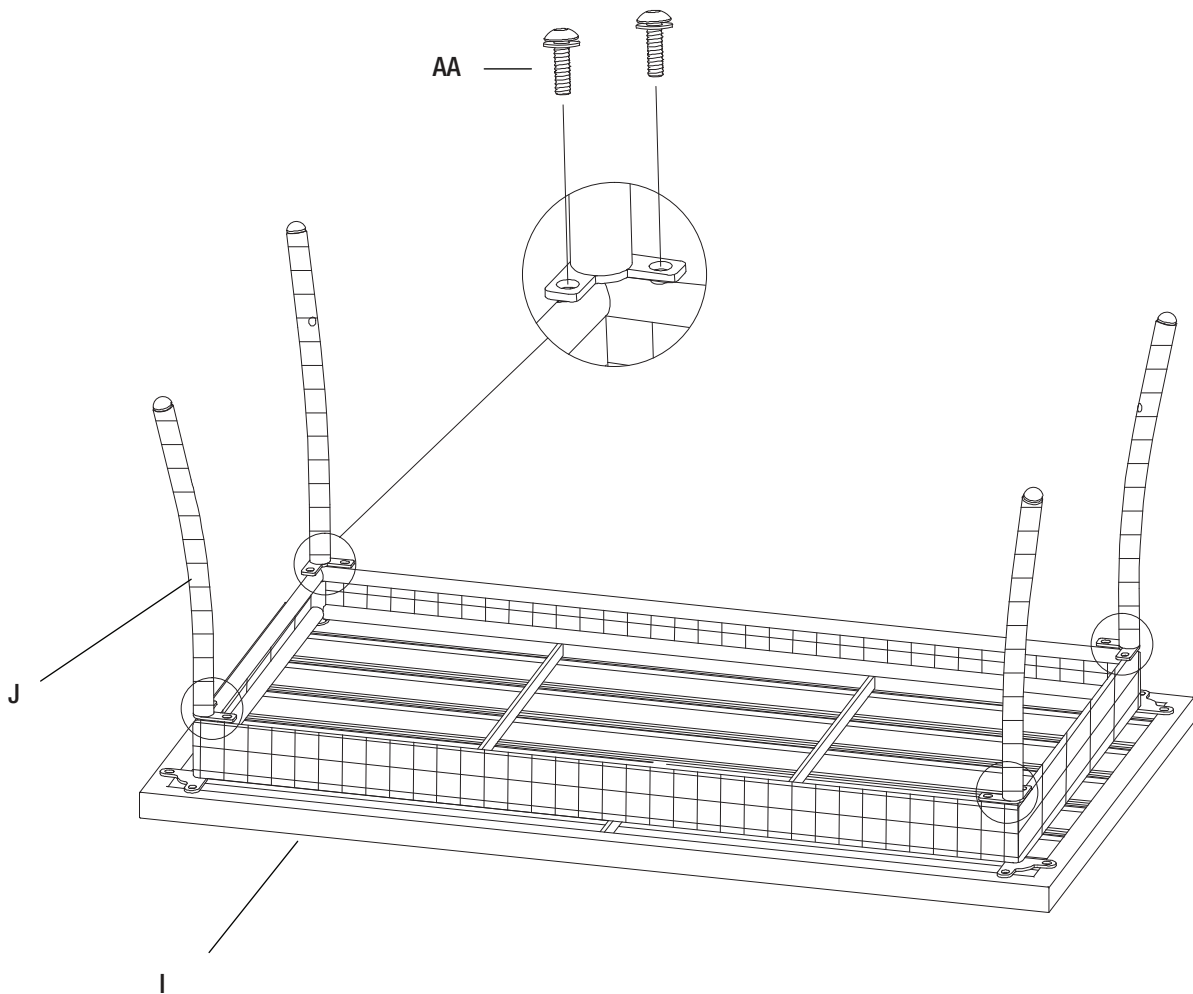




# Coffee Table Assembly

## 1 ATTACHING THE TABLE LEGS TO THE TABLE TOP

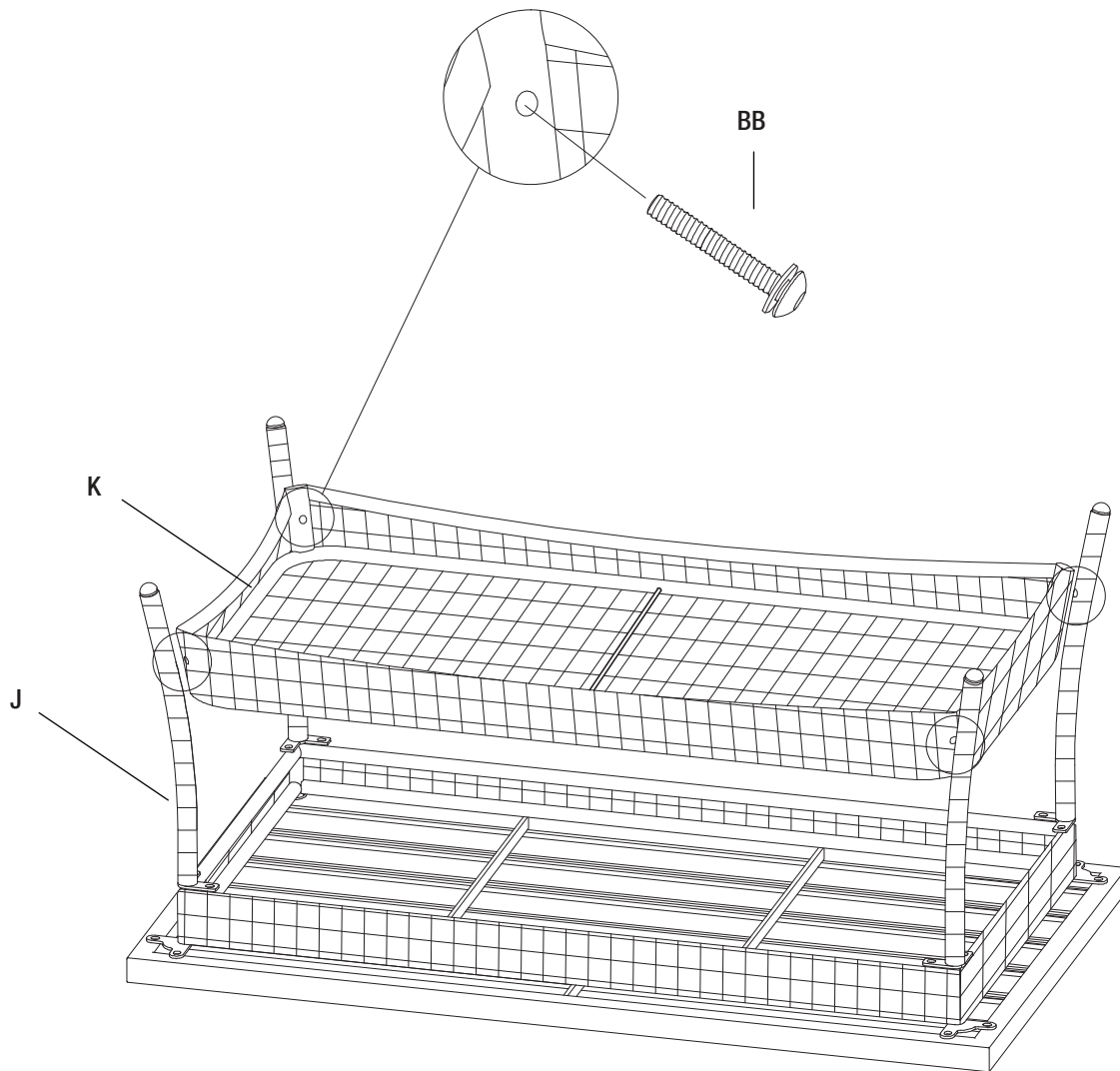
- Place the table top (I) upside down on a soft surface.
- Attach the table legs (J) to the table top (I) using M6x20 combination bolts (AA).
- Do not fully tighten all bolts at this step.



## Coffee Table Assembly (continued)

### 2 CONNECTING THE LEG CONNECTOR TO THE TABLE LEGS

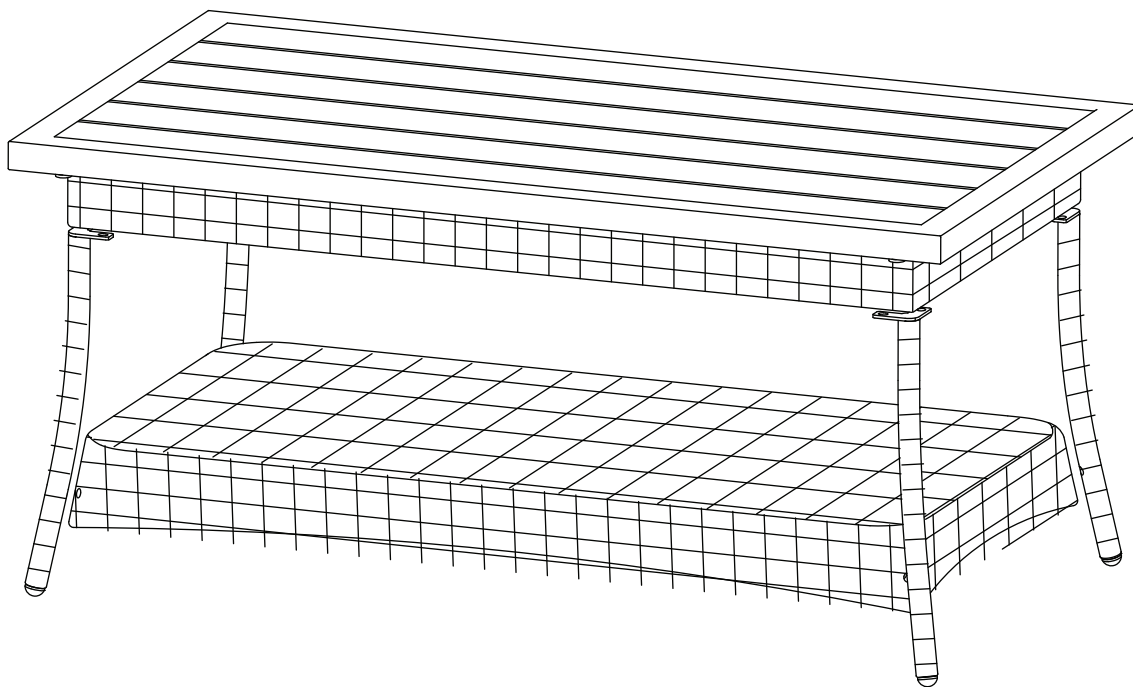
- Attach the leg connector (K) to the table legs (J) using M6x40 combination bolts (BB).
- Do not fully tighten all the bolts at this step.



## Coffee Table Assembly (continued)

### 3 CHECKING THE COFFEE TABLE

- Once all of the bolts are in place, fully tighten the bolts using the hex wrench (DD).
- Turn the coffee table right side up.
- Ensure all connections are secure before use.



## Care and Cleaning

- For best results, clean the seating set with a damp cloth and dry thoroughly. This will help prevent mildew by removing dirt particles that may accumulate.
- Do not clean with abrasive materials, bleach, or solvents.
- Store the seating set in a dry, sheltered place when not in use.
- Keep the seating set away from fire, extreme heat, freezing conditions, and inclement weather such as rain, hail, sleet, snow, or wind.

# HAMPTON BAY®

Questions, problems, missing parts? Before returning to the store,  
call Hampton Bay Customer Service.  
8 a.m. - 7 p.m., EST, Monday - Friday, 9 a.m. - 6 p.m., EST, Saturday

**1-855-HD-HAMPTON**

**HOMEDEPOT.CA**

Retain this manual for future use.

For certification use only
Factory club chair ID # FRS80812C Factory loveseat ID # FRS80812CL Factory table ID # FWS80486D