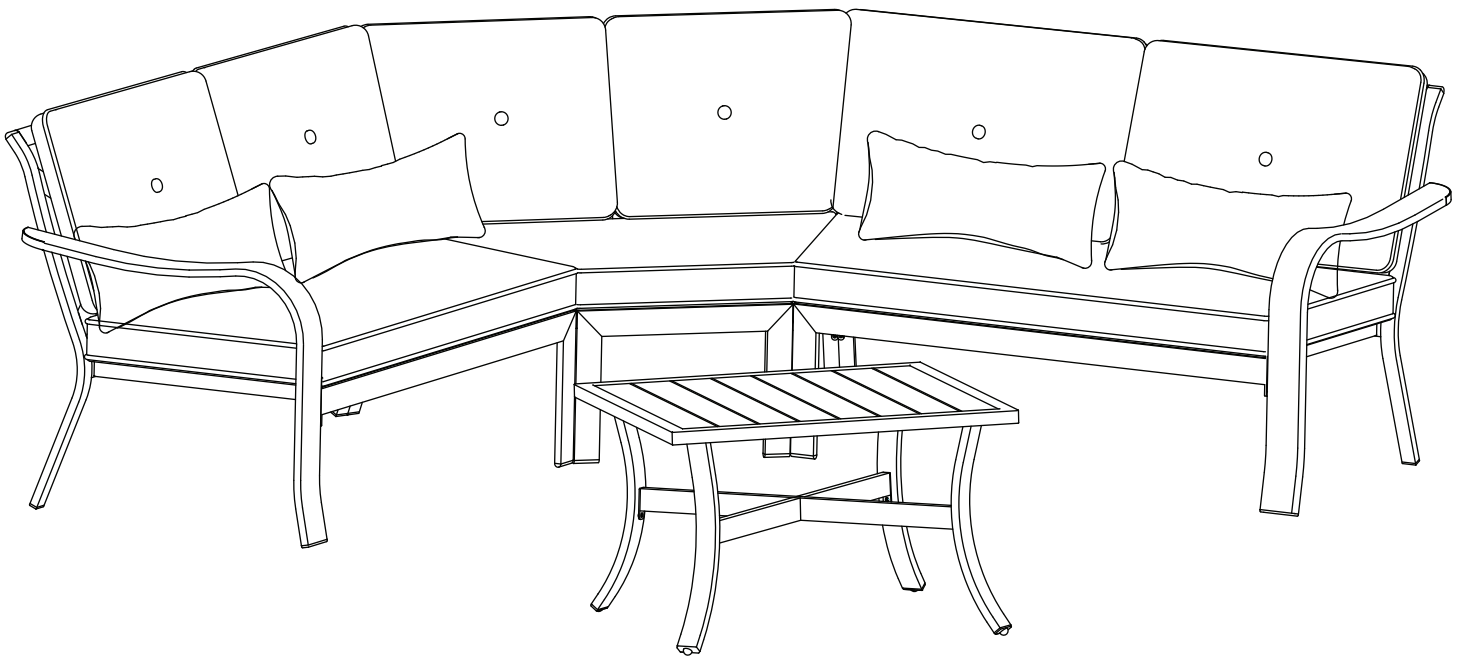


Item # 1001 074 536
Model # FZM70459C-ST

HAMPTON BAY®

USE AND CARE GUIDE

VESTRI 4-PIECE DEEP SEATING SET



Questions, problems, missing parts? Before returning to the store,
call Hampton Bay Customer Service.
8 a.m. - 7 p.m., EST, Monday - Friday, 9 a.m. - 6 p.m., EST, Saturday

1-855-HD-HAMPTON

HOMEDEPOT.CA

THANK YOU

We appreciate the trust and confidence you have placed in Hampton Bay through the purchase of this set. We strive to continually create quality products designed to enhance your home. Visit us online to see our full line of products available for your home improvement needs. Thank you for choosing Hampton Bay!

Table of Contents

Table of Contents.....	2	Pre-Assembly	3
Important Safety Instructions	2	Planning Assembly	3
Save These Instructions	2	Hardware Included	3
Read All Instructions Before Use	2	Left Arm Loveseat Package Contents	4
Warranty	3	Right Arm Loveseat Package Contents	5
What is Covered	3	Corner Chair Package Contents	6
What is Not Covered	3	Table Package Contents	7
		Left Arm Loveseat Assembly	8
		Right Arm Loveseat Assembly	13
		Corner Chair Assembly	18
		Table Assembly.....	21
		Set Assembly.....	24
		Care and Cleaning	26

Important Safety Instructions

SAVE THESE INSTRUCTIONS



WARNING: This set was made for the explicit purpose of providing outdoor functions and is not to be used as a toy. This product is intended for normal outdoor use; however, the manufacturer recommends storing and / or covering this set when any formidable / severe weather is approaching.



WARNING: Do not locate this product near open flames. Do not use this product as a support. Do not shake, lean or climb on the product. Children under the age of 10, near the product, should be supervised by a competent adult at all times. This product is NOT intended for commercial use and will void the warranty.

READ ALL INSTRUCTIONS BEFORE USE

To reduce the risk of injury to persons:

1. Close supervision is necessary when this product is used by or near children, or disabled persons, if applicable.
2. Use this product only for its intended use as described in these instructions. Do not use attachments not recommended by the manufacturer.
3. Do not move the loveseats or the chairs while they are occupied. Failure to obey this caution could result in injury.
4. Do not rock the loveseats or the chair as you may fall and cause serious injury.
5. Please keep children out of the assembly area before assembly.



WARNING: Weight limit for the loveseats and the chairs is 250 lbs (113.39 kg) for each seat.



WARNING: This set is heavy, and may require two adults for safe assembly.



WARNING: Do not place heavy objects on the loveseats.



WARNING: Do not place heavy objects on the chairs.



WARNING: Do not place heavy objects on the table.



CAUTION: When not in use, secure the product in a cool and covered location.



CAUTION: Do not locate the product near any heat source.

Warranty

2 YEAR FRAME AND 2 YEAR FABRIC LIMITED WARRANTY

WHAT IS COVERED

We warrant the frames to be free of manufacturing defects to the original purchaser for two years, and a two year limited warranty for the fabric.

WHAT IS NOT COVERED

It remains the customer's responsibility for freight and packaging charges to and from our service center. This warranty does not cover commercial use, hardware, acts of nature, fire, freezing and abusive use. In addition, purchased parts are not covered under this warranty. We reserve the right to make substitutions with similar merchandise, if the model in question is no longer in production.

Contact the Customer Service Team at 1-855-HD-HAMPTON or visit www.homedepot.ca.

Pre-Assembly

PLANNING ASSEMBLY

Read all instructions before assembly.

To avoid damaging this product, assemble it on a soft, non-abrasive surface such as carpet or cardboard.



NOTE: More than one person may be required to assemble this product.

HARDWARE INCLUDED



NOTE: Hardware not shown to actual size.



AA



BB

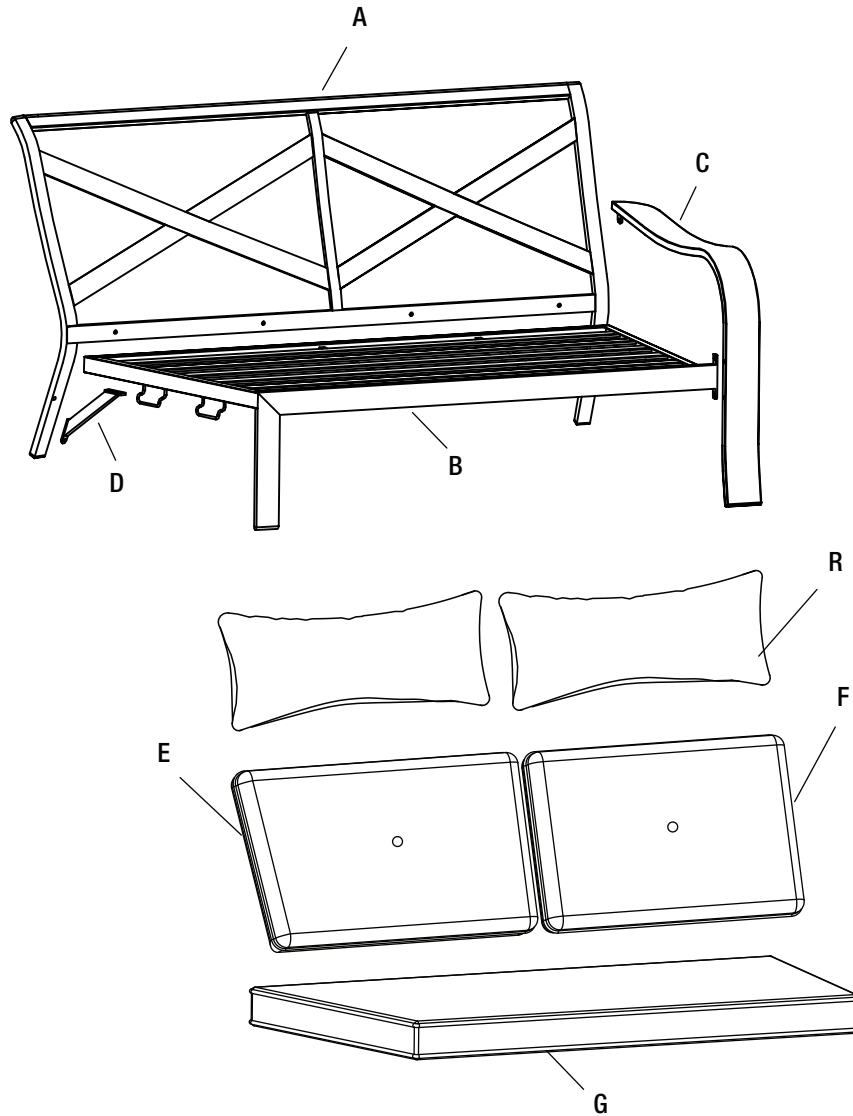


CC

Part	Description	Quantity
AA	M6x15 combination bolt	26+1
BB	M6x25 combination bolt	12+1
CC	Hex wrench	1

Pre-Assembly (continued)

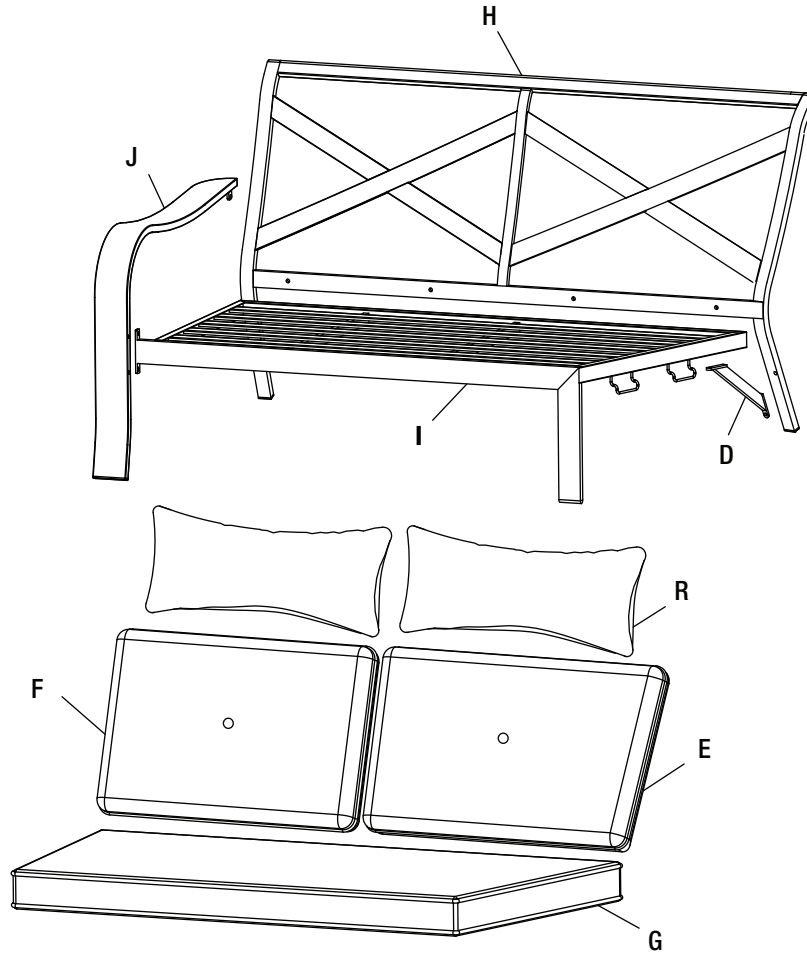
LEFT ARM LOVESEAT PACKAGE CONTENTS



Part	Description	Quantity
A	Left arm loveseat backrest	1
B	Left arm loveseat seat	1
C	Left arm	1
D	Support bar	1
E	Back cushion 1	1
F	Back cushion 2	1
G	Seat cushion	1
R	Lumbar pillow	2

Pre-Assembly (continued)

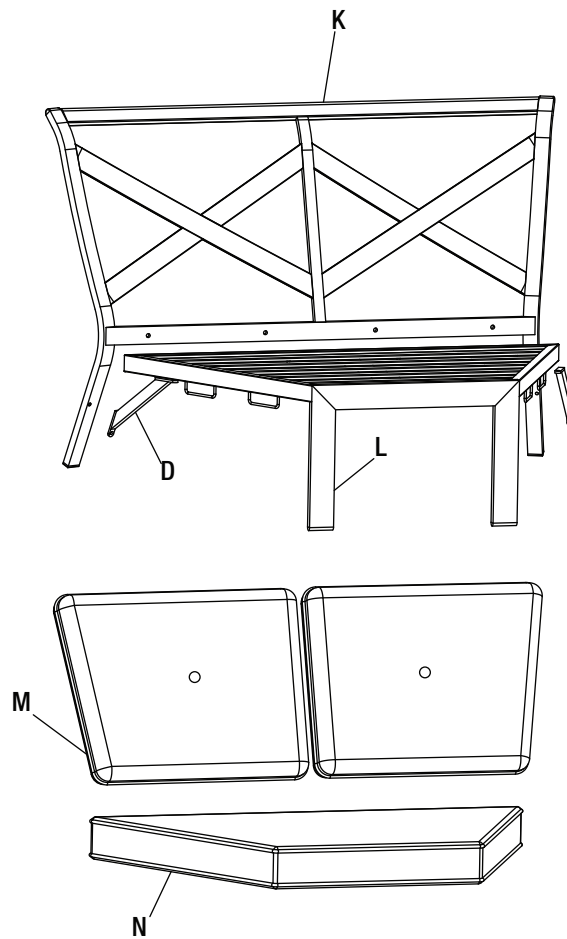
RIGHT ARM LOVESEAT PACKAGE CONTENTS



Part	Description	Quantity
D	Support bar	1
E	Back cushion 1	1
F	Back cushion 2	1
G	Seat cushion	1
H	Right arm loveseat backrest	1
I	Right arm loveseat seat	1
J	Right arm	1
R	Lumbar pillow	2

Pre-Assembly (continued)

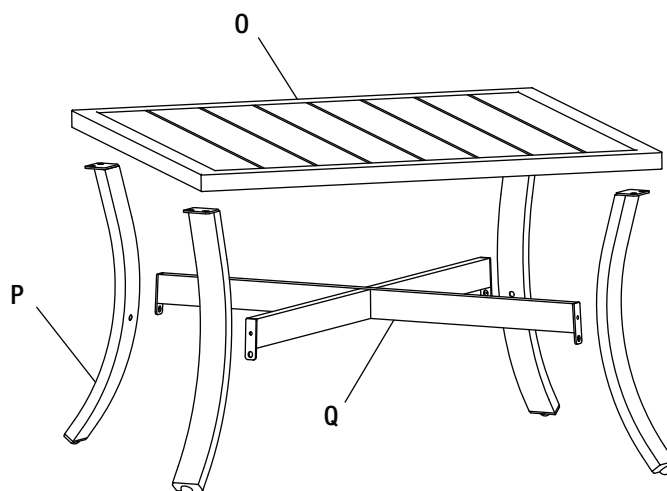
CORNER CHAIR PACKAGE CONTENTS



Part	Description	Quantity
D	Support bar	2
K	Corner chair backrest	1
L	Corner chair seat	1
M	Corner chair back cushion	2
N	Corner chair seat cushion	1

Pre-Assembly (continued)

TABLE PACKAGE CONTENTS

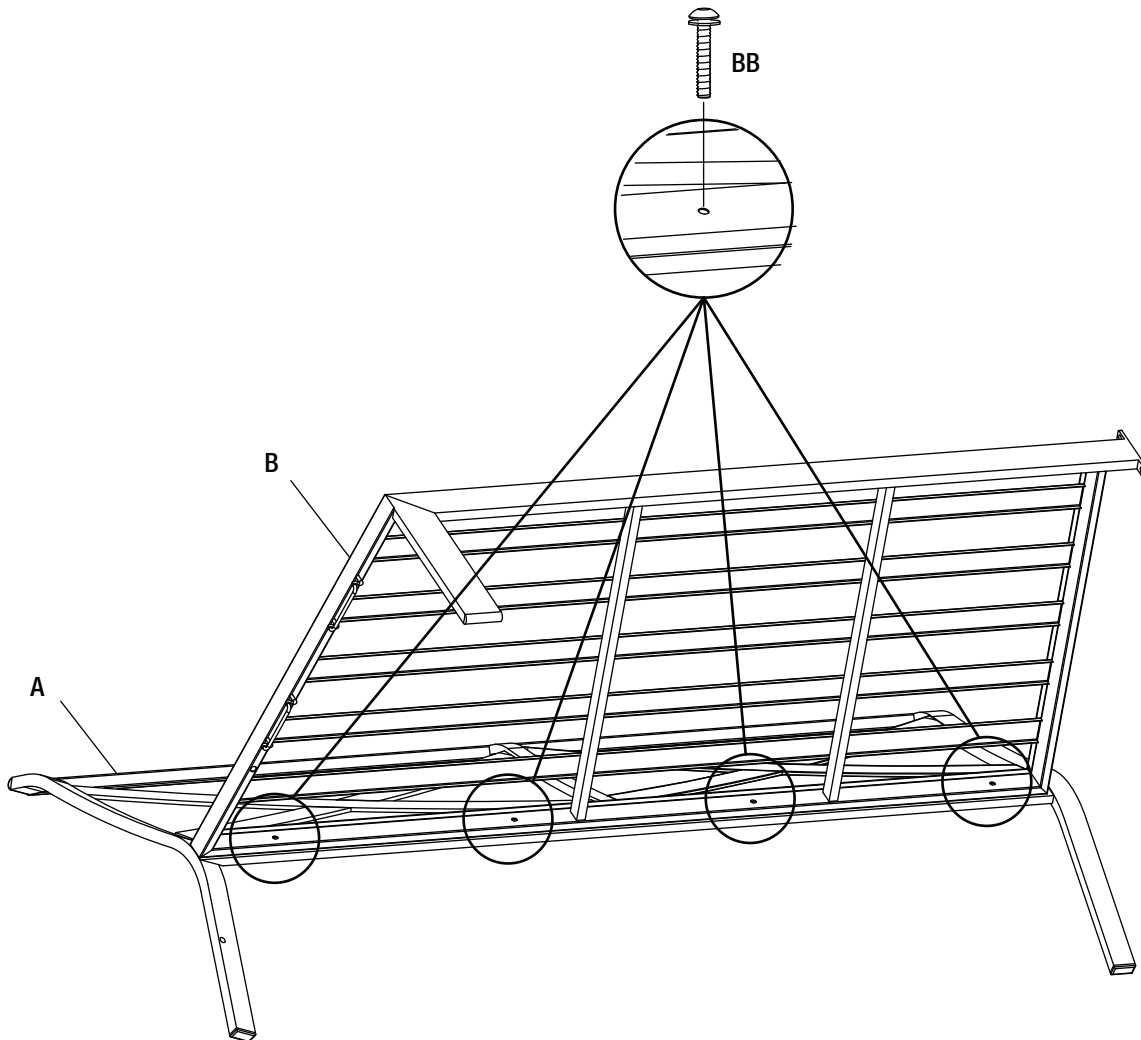


Part	Description	Quantity
O	Table top	1
P	Table leg	4
Q	Leg connector	1

Left Arm Loveseat Assembly

1 ATTACHING THE LEFT ARM LOVESEAT SEAT TO THE LEFT ARM LOVESEAT BACKREST

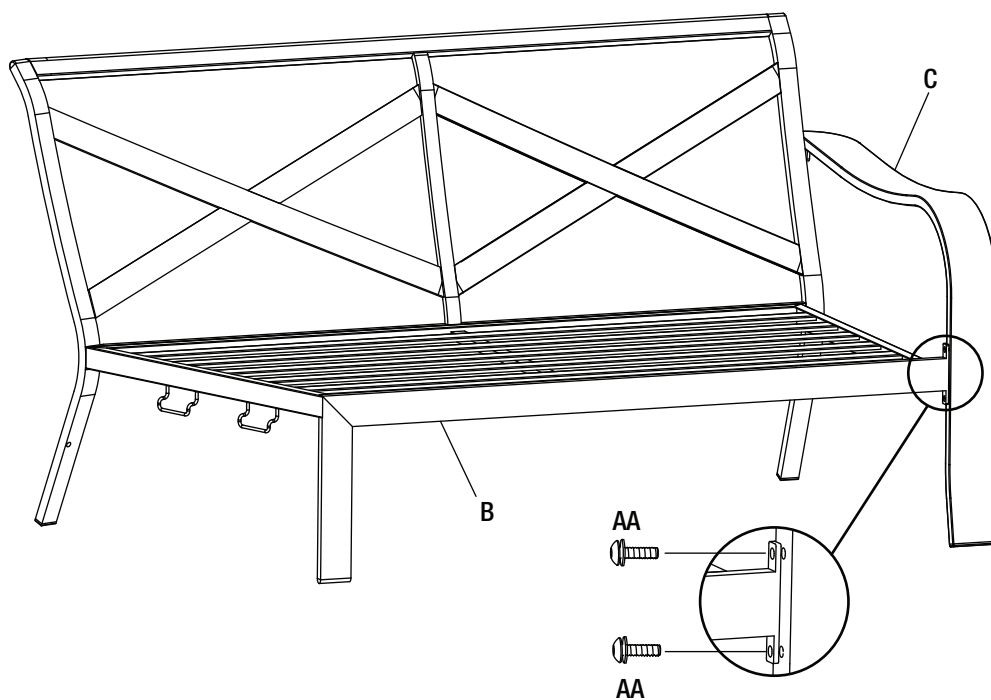
- Attach the left arm loveseat seat (B) to the left arm loveseat backrest (A) using M6x25 combination bolts (BB).
- Do not fully tighten the bolts at this step.



Left Arm Loveseat Assembly (continued)

2 ATTACHING THE LEFT ARM TO THE LEFT ARM LOVESEAT SEAT

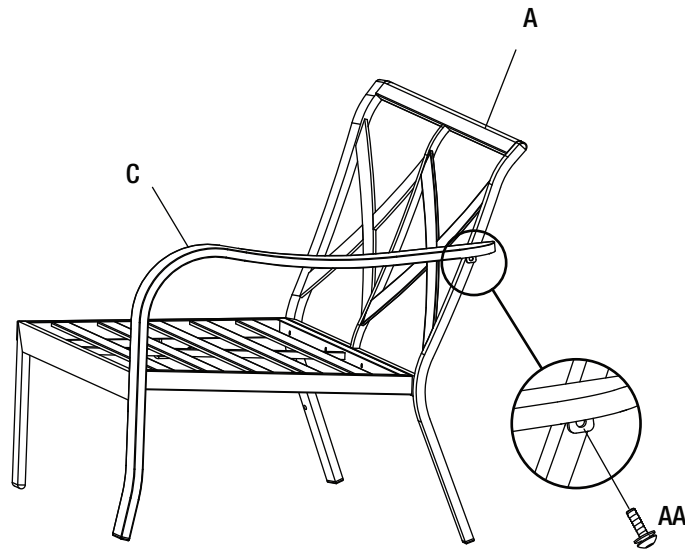
- Attach the left arm (C) to the left arm loveseat seat (B) using M6x15 combination bolts (AA).
- Do not fully tighten the bolts at this step.



Left Arm Loveseat Assembly (continued)

3 ATTACHING THE LEFT ARM TO THE LEFT ARM LOVESEAT BACKREST

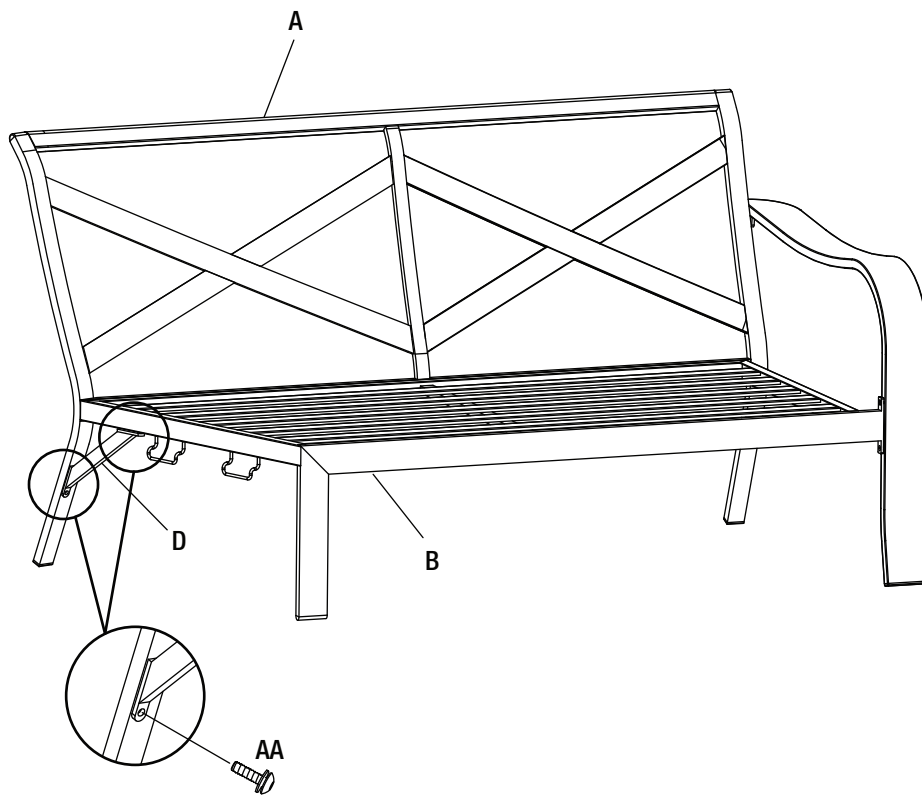
- Attach the left arm (C) to the left arm loveseat backrest (A) using an M6x15 combination bolt (AA).
- Do not fully tighten the bolts at this step.



Left Arm Loveseat Assembly (continued)

4 ATTACHING THE SUPPORT BAR TO THE LEFT ARM LOVESEAT

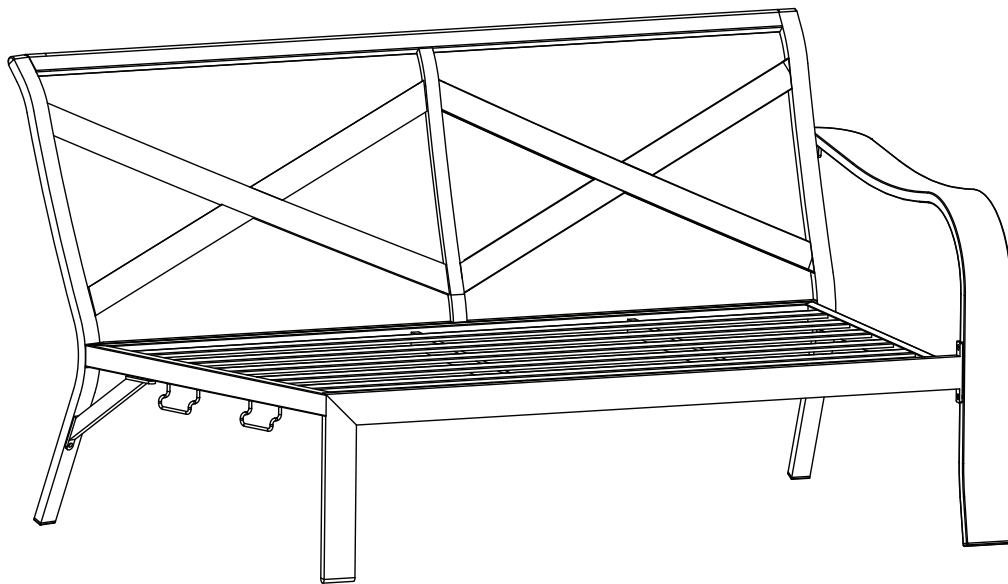
- Attach the support bar (D) to the left arm loveseat backrest (A) and the left arm loveseat seat (B) using M6x15 combination bolts (AA).
- Do not fully tighten the bolts at this step.



Left Arm Loveseat Assembly (continued)

5 TIGHTENING THE BOLTS

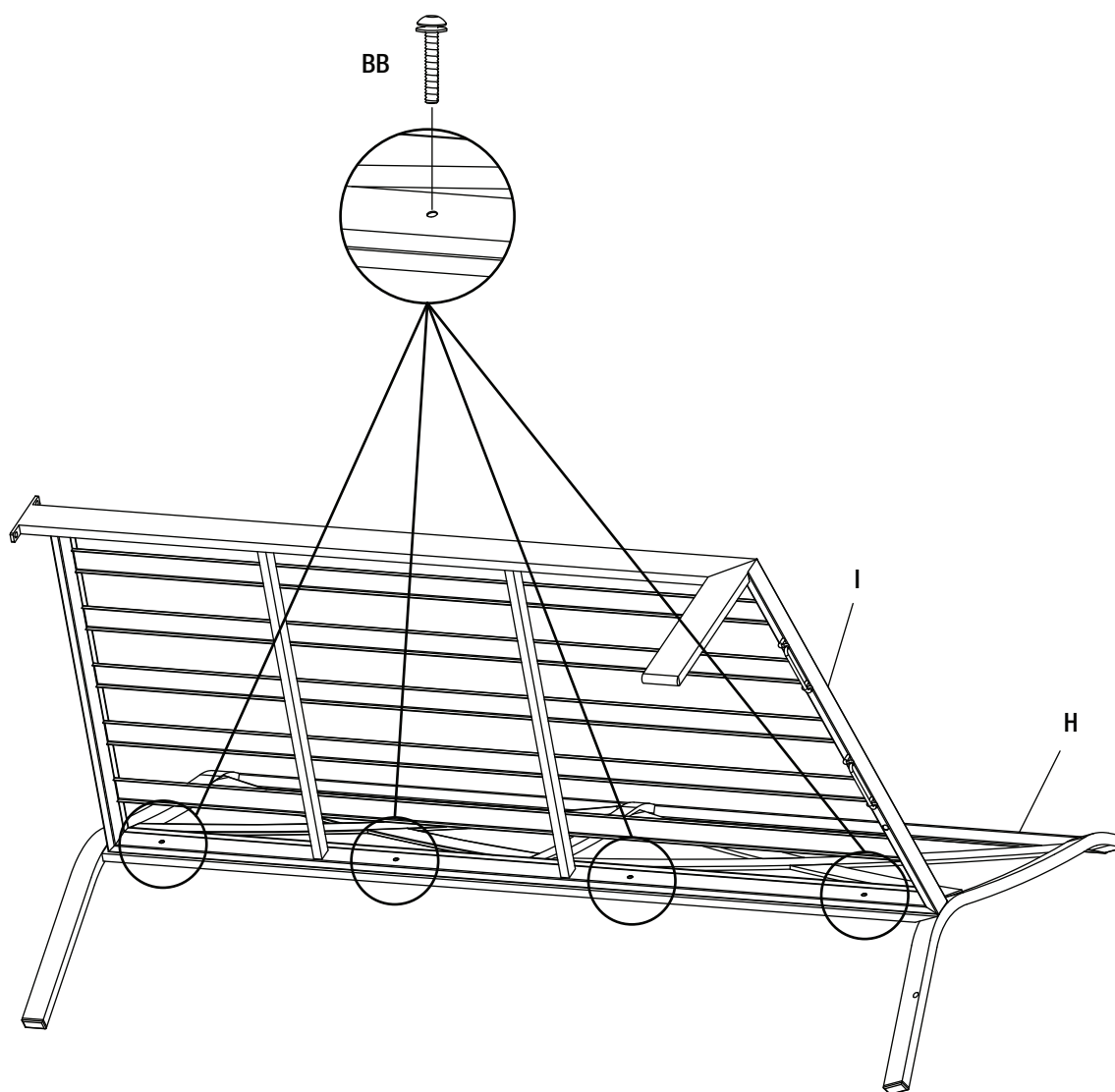
- Once all of the bolts are in place, fully tighten the bolts.
- Ensure all connections are secure before use.



Right Arm Loveseat Assembly

1 ATTACHING THE RIGHT ARM LOVESEAT SEAT TO THE RIGHT ARM LOVESEAT BACKREST

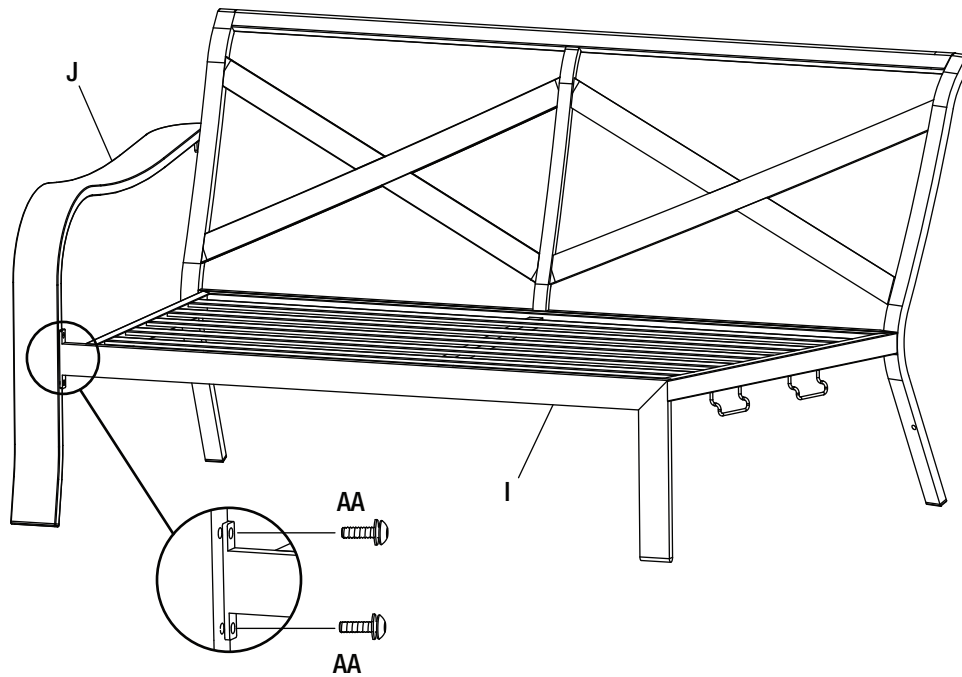
- Attach the right arm loveseat seat (I) to the right arm loveseat backrest (H) using M6x25 combination bolts (BB).
- Do not fully tighten the bolts at this step.



Right Arm Loveseat Assembly (continued)

2 ATTACHING THE RIGHT ARM TO THE RIGHT ARM LOVESEAT SEAT

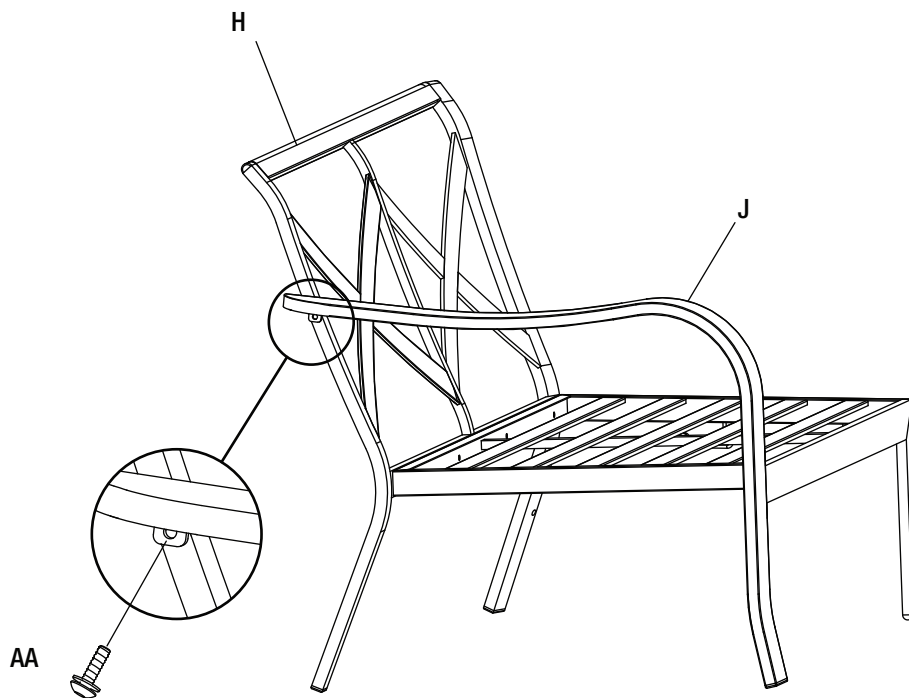
- Attach the right arm (J) to the right arm loveseat seat (I) using M6x15 combination bolts (AA).
- Do not fully tighten the bolts at this step.



Right Arm Loveseat Assembly (continued)

3 ATTACHING THE RIGHT ARM TO THE RIGHT ARM LOVESEAT BACKREST

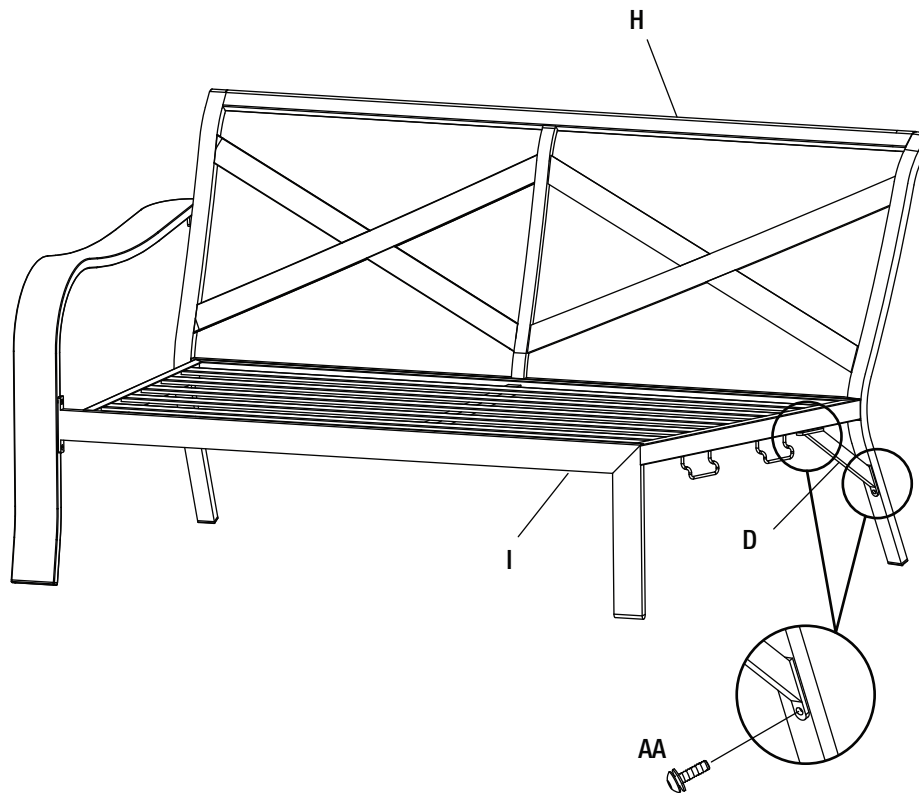
- Attach the right arm (J) to the right arm loveseat backrest (H) using an M6x15 combination bolt (AA).
- Do not fully tighten the bolts at this step.



Right Arm Loveseat Assembly (continued)

4 ATTACHING THE SUPPORT BAR TO THE RIGHT ARM LOVESEAT

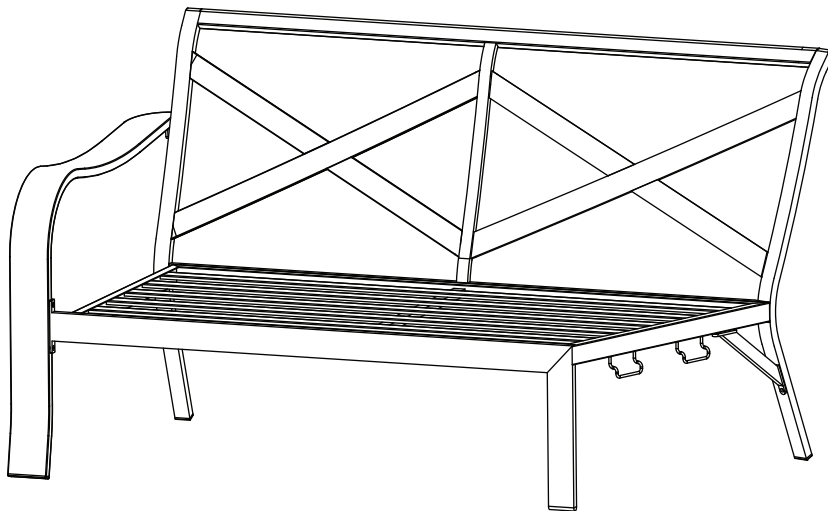
- Attach the support bar (D) to the right arm loveseat backrest (H) and the right arm loveseat seat (I) using M6x15 combination bolts (AA).
- Do not fully tighten the bolts at this step.



Right Arm Loveseat Assembly (continued)

5 TIGHTENING THE BOLTS

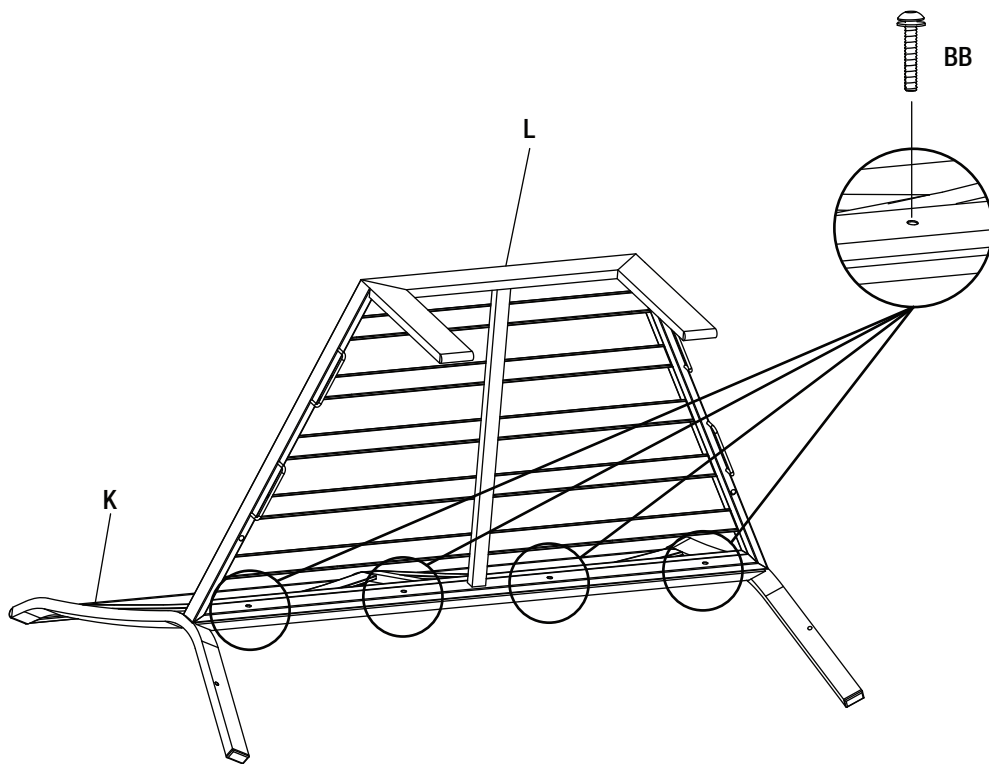
- Once all of the bolts are in place, fully tighten the bolts.
- Ensure all connections are secure before use.



Corner Chair Assembly

1 ATTACHING THE CORNER CHAIR SEAT TO THE CORNER CHAIR BACKREST

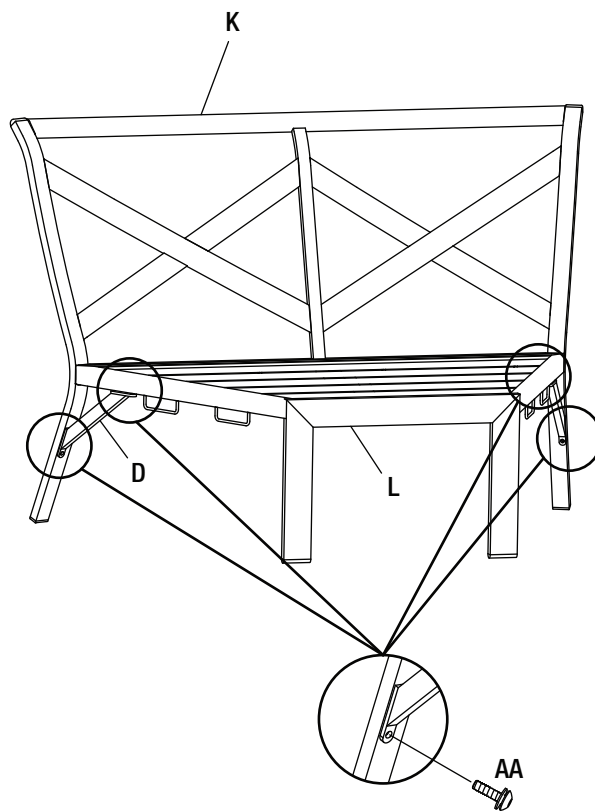
- Attach the corner chair seat (L) to the corner chair backrest (K) using M6x25 combination bolts (BB), as shown below.
- Do not tighten the bolts at this step.



Corner Chair Assembly (continued)

2 ATTACHING THE SUPPORT BAR TO THE CORNER CHAIR

- Attach the support bar (D) to the corner chair backrest (K) and the corner chair seat (L) using M6x15 combination bolts (AA).
- Do not fully tighten the bolts at this step.



Corner Chair Assembly (continued)

3 TIGHTENING THE BOLTS

- Once all of the bolts are in place, fully tighten the bolts.
- Ensure all connections are secure before use.

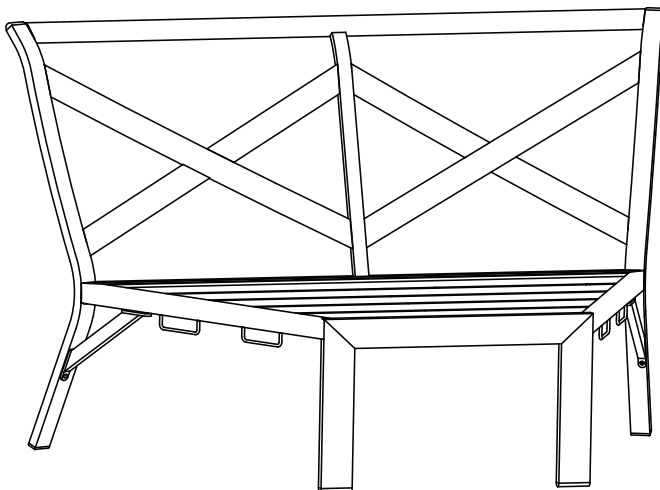


Table Assembly

1 ATTACHING THE TABLE LEGS TO THE TABLE TOP

- Place the table top (0) upside down on a soft surface.
- Attach the table legs (P) to the table top (0) using M6x15 combination bolts (AA).
- Do not fully tighten the bolts at this step.

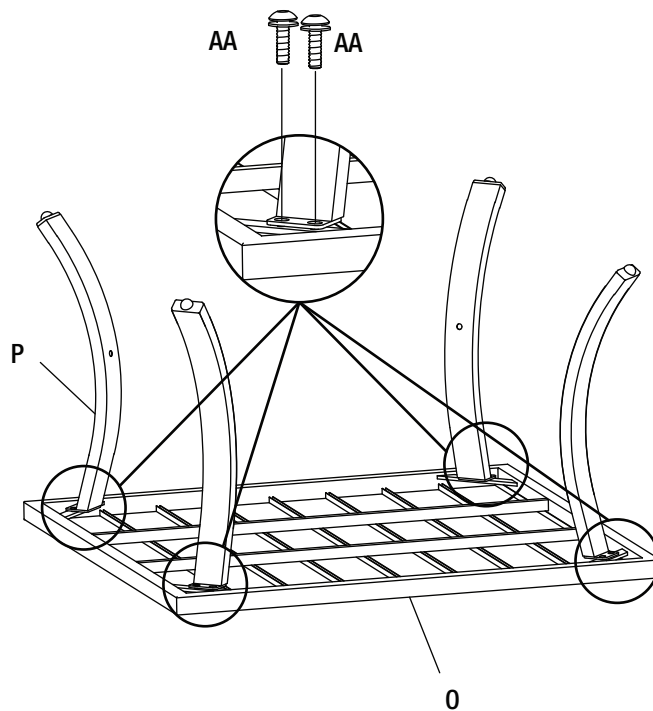


Table Assembly (continued)

2 ATTACHING THE LEG CONNECTOR

- Attach the leg connector (Q) to the table legs (P) using M6x15 combination bolts (AA).
- Do not fully tighten the bolts at this step.

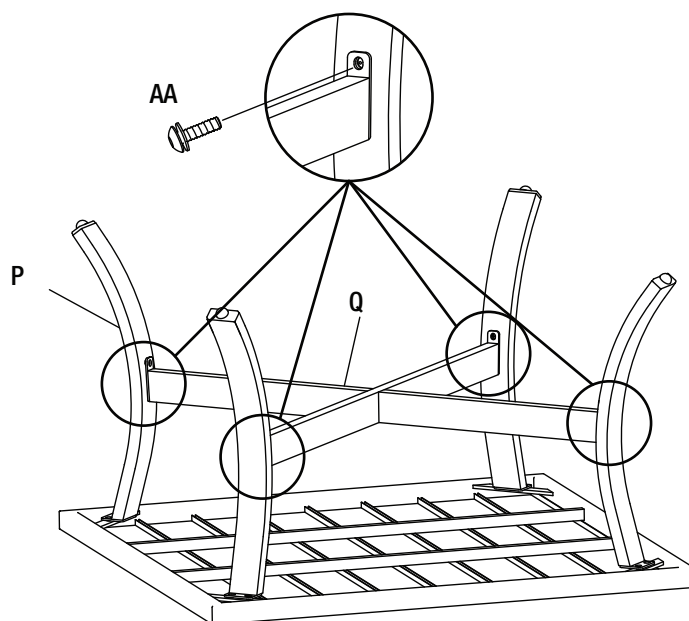
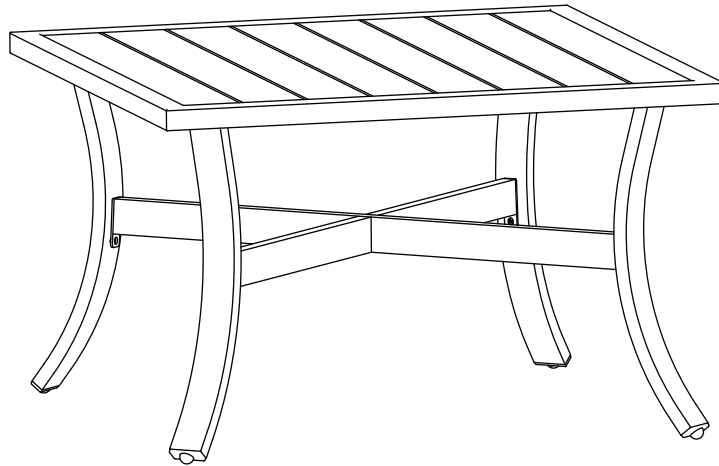


Table Assembly (continued)

3 CHECKING THE TABLE

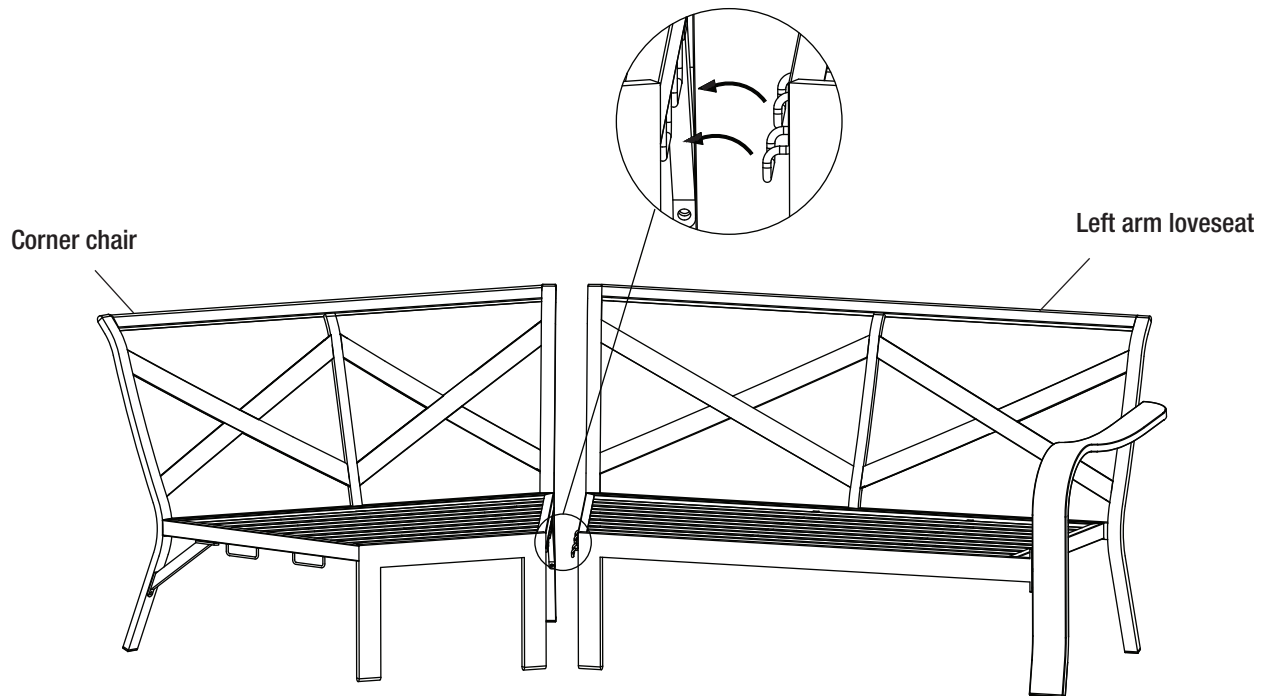
- Turn the table right side up.
- Once all of the bolts are in place, fully tighten the bolts.
- Ensure all connections are secure before use.



Set Assembly

1 Attaching the left arm loveseat to the corner chair

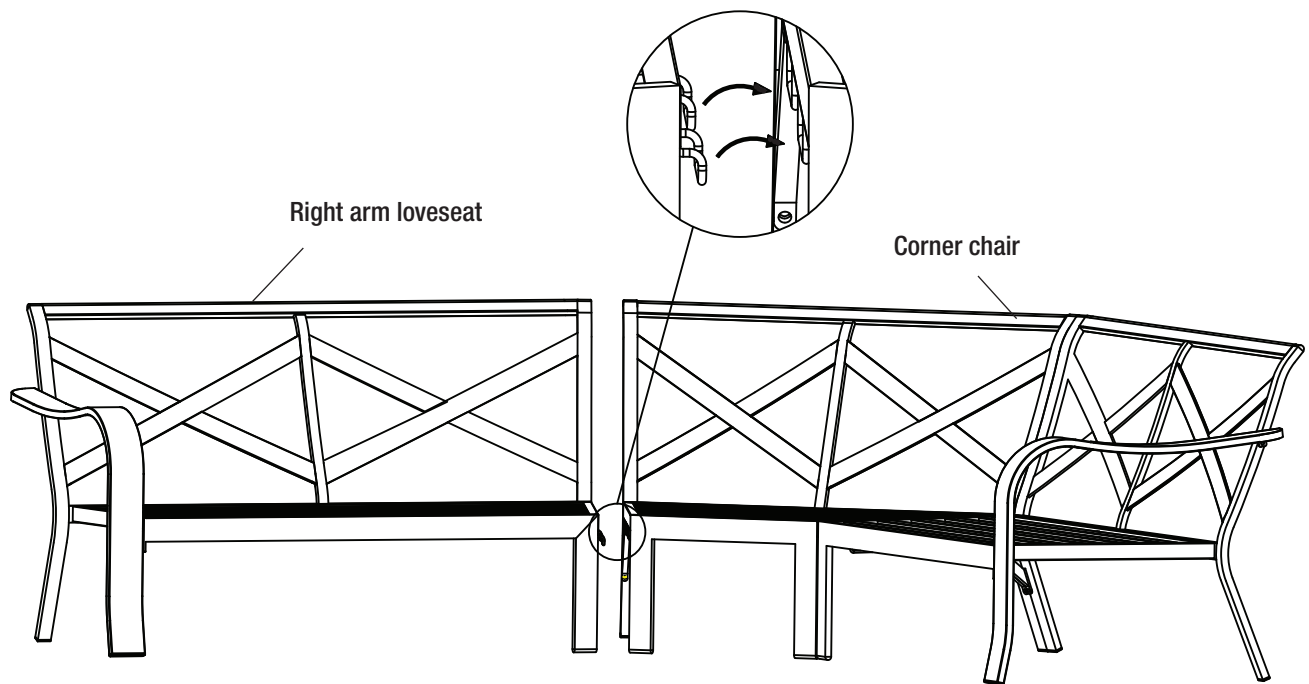
- Hook the left arm loveseat to the corner chair, as shown below.



Set Assembly (continued)

2 Attaching the right arm loveseat to the corner chair

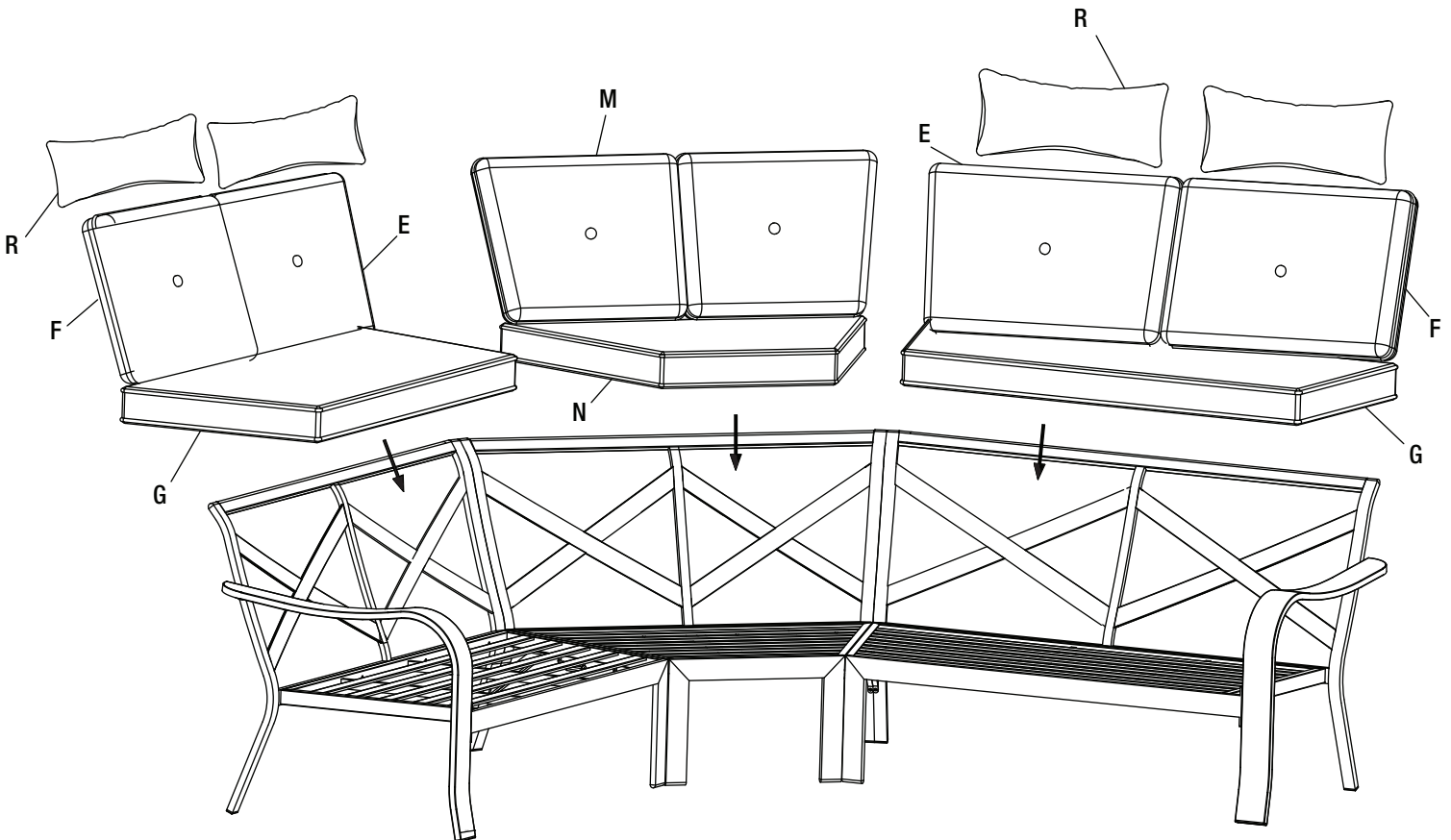
- Hook the right arm loveseat to the corner chair, as shown below.



Set Assembly (continued)

3 CHECKING THE SET

- Ensure all connections are secure before use.
- Place the seat cushions (G), the corner chair seat cushion (N), the back cushions 1 (E), the back cushions 2 (F), the corner chair back cushion (M) and the lumbar pillows (R) to finish the assembly of the set.



Care and Cleaning

- For best results, clean the frame and fabric with a damp cloth and dry thoroughly. This will help prevent mildew by removing dirt particles that may accumulate.
- Do not clean with abrasive materials, bleach, or solvents.
- Store the set in a dry, sheltered place when not in use.
- Keep the set away from fire, extreme heat, freezing conditions, and inclement weather such as rain, hail, sleet, snow, or wind.

HAMPTON BAY[®]

Questions, problems, missing parts? Before returning to the store,
call Hampton Bay Customer Service.
8 a.m. - 7 p.m., EST, Monday - Friday, 9 a.m. - 6 p.m., EST, Saturday

1-855-HD-HAMPTON

HOMEDEPOT.CA

Retain this manual for future use.

For certification use only
Factory chair ID # FZM70459C-ST Factory table ID # FTS70705