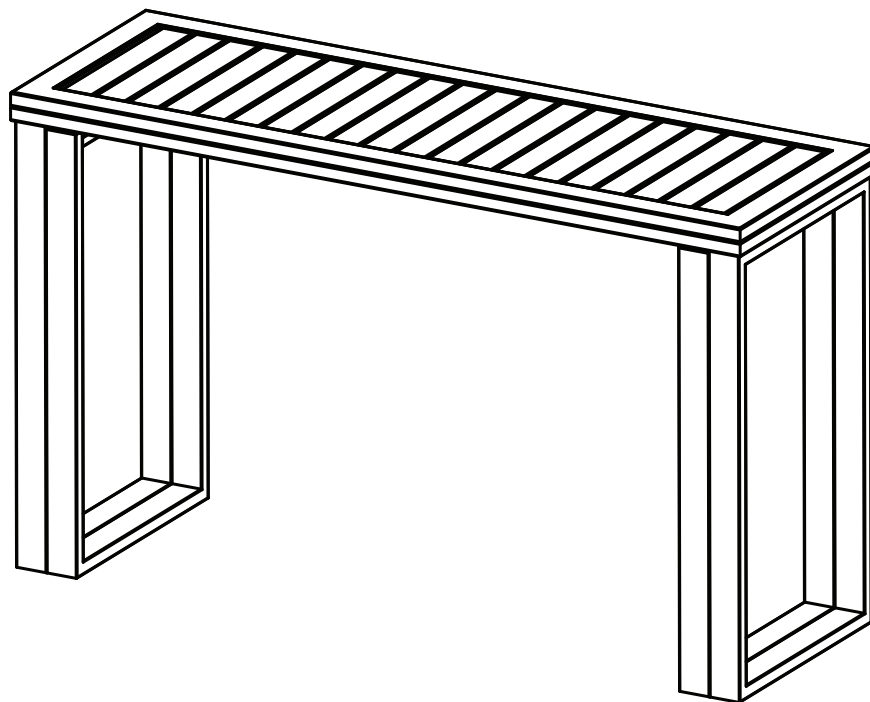


Item # 1001 074 628
Model # FDS00021A-ST

HAMPTON BAY[®]

USE AND CARE GUIDE

OCEAN SPRINGS URBAN BALCONY DINING SET-TABLE



Questions, problems, missing parts? Before returning to the store,
call Hampton Bay Customer Service.
8 a.m. - 7 p.m., EST, Monday - Friday, 9 a.m. - 6 p.m., EST, Saturday

1-855-HD-HAMPTON

HOMEDEPOT.CA

THANK YOU


We appreciate the trust and confidence you have placed in Hampton Bay through the purchase of this table. We strive to continually create quality products designed to enhance your home. Visit us online to see our full line of products available for your home improvement needs. Thank you for choosing Hampton Bay!


Table of Contents

Table of Contents.....	2	Pre-Assembly	3
Important Safety Instructions	2	Planning Assembly	3
Save These Instructions	2	Hardware Included	3
Read All Instructions Before Use	2	Package Contents	4
Warranty	3	Assembly	5
What is Covered	3	Instruction to Open The Table.....	8
What is Not Covered	3	Instruction to Close The Table.....	9
		Care and Cleaning.....	9

Important Safety Instructions

SAVE THESE INSTRUCTIONS


 **WARNING:** This table was made for the explicit purpose of providing outdoor functions and is not to be used as a toy. This product is intended for normal outdoor use; however, the manufacturer recommends storing and / or covering this table when any formidable / severe weather is approaching.


 **WARNING:** Do not locate this product near open flames. Do not use this product as a support. Do not shake, lean or climb on the product. Children under the age of 10, near the product, should be supervised by a competent adult at all times. This product is NOT intended for commercial use and will void the warranty.

READ ALL INSTRUCTIONS BEFORE USE


To reduce the risk of injury to persons:

1. Close supervision is necessary when this product is used by or near children, or disabled persons, if applicable.
2. Use this product only for its intended use as described in these instructions.
3. Please keep children out of the assembly area before assembly.

 **WARNING:** This table unit is heavy, and may require two adults for safe assembly.

 **CAUTION:** When not in use, secure the product in a cool and covered location.

 **CAUTION:** Do not place heavy objects on the table top.

 **CAUTION:** Do not locate the product near any heat source.

Warranty

2 YEAR FRAME WARRANTY

WHAT IS COVERED

We warrant the frame to be free of manufacturing defects to the original purchaser for two years.

WHAT IS NOT COVERED

It remains the customer's responsibility for freight and packaging charges to and from our service center. This warranty does not cover commercial use, hardware, acts of nature, fire, freezing and abusive use. In addition, purchased parts are not covered under this warranty. We reserve the right to make substitutions with similar merchandise, if the model in question is no longer in production.

Contact the Customer Service Team at 1-855-HD-HAMPTON or visit www.Homedepot.ca.

Pre-Assembly

PLANNING ASSEMBLY

Read all instructions before assembly.

To avoid damaging this product, assemble it on a soft, non-abrasive surface such as carpet or cardboard.



NOTE: More than one person may be required to assemble this product.

HARDWARE INCLUDED



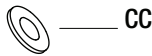
NOTE: Hardware not shown to actual size.



AA



BB



CC



DD



EE

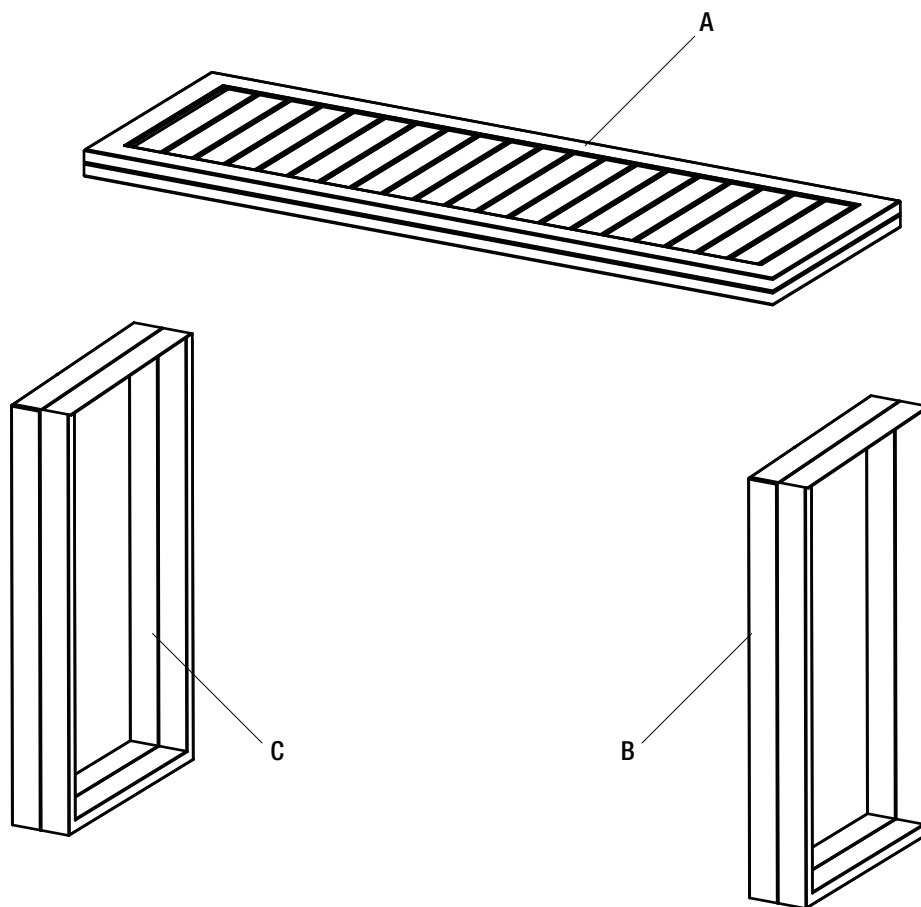


FF

Part	Description	Quantity
AA	M6x35 combination bolt	6+1
BB	M6 countersunk bolt	4+1
CC	Washer	4+1
DD	Bolt cap	4+1
EE	Plastic washer	4+1
FF	Hex wrench	1

Pre-Assembly (continued)

PACKAGE CONTENTS



Part	Description	Quantity
A	Table top	1
B	Table leg 1	1
C	Table leg 2	1

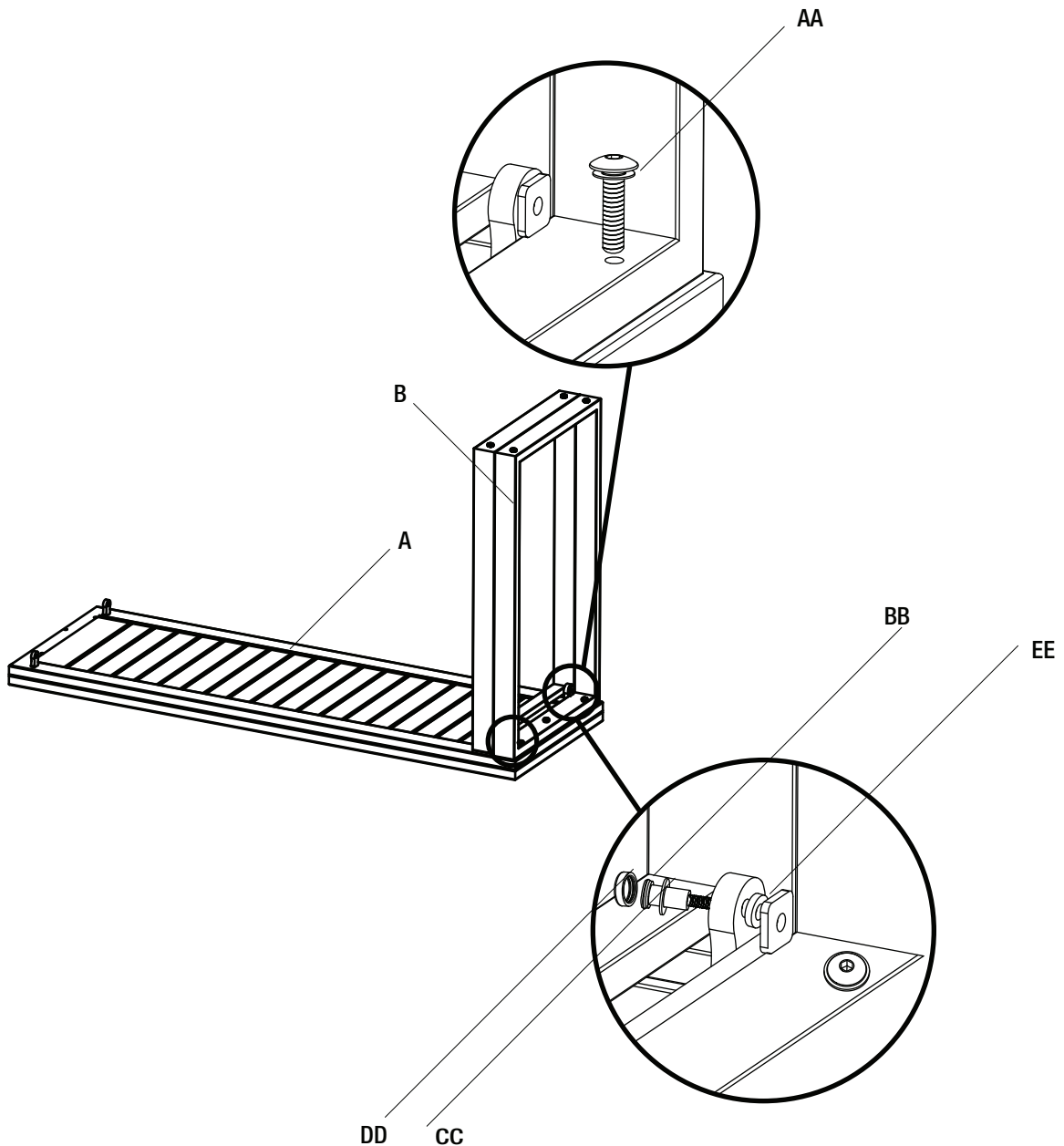
Assembly

1 Connecting the table leg 1 to the table top

- Place the table top (A) upside down on the soft surface.
- Attach the table leg 1 (B) to the table top (A) using M6x35 combination bolts (AA), M6 countersunk bolts (BB), washers (CC), bolt caps (DD) and plastic washers (EE).
- Do not fully tighten all the bolts at this step.



NOTE: Loosely tighten all the bolts using the hex wrench (FF).



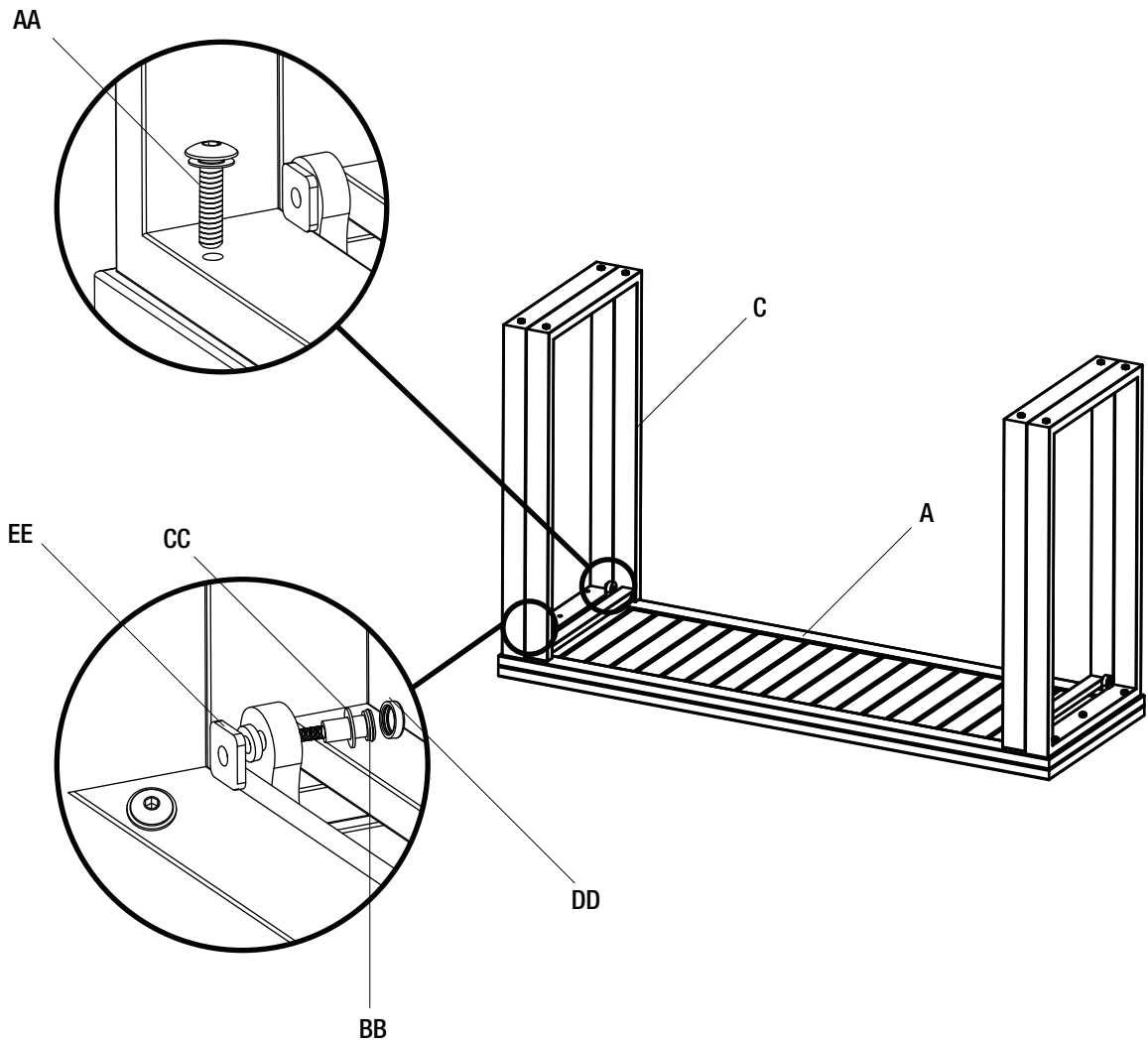
Assembly (continued)

2 Connecting the table leg 2 to the table top

- Repeat step 1 for attaching the table leg 2 (C) to the table top (A).
- Do not fully tighten all the bolts at this step.



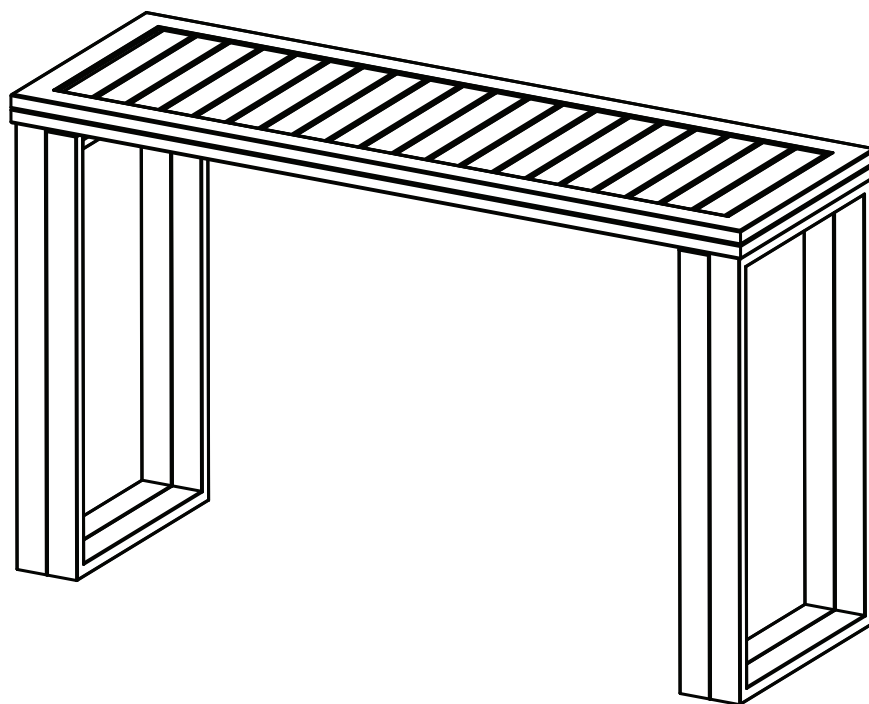
NOTE: Loosely tighten all the bolts using the hex wrench (FF).



Assembly (continued)

3 Checking the table

- Once all of the bolts are in place, fully tighten the bolts using the hex wrench (EE).
- Turn the table right side up and ensure all connections are secure before use.



Instruction to Open The Table

1 Opening the table

- Unfasten the locks under the table top (A). See Figure 1.
- Slowly pull the table legs (B & C) toward one direction until the legs fully extend outward and pull the table top (A) unfolded to place on the extended table legs (B & C) carefully. See Figure 2.
- Fasten the locks under the table top (A) to finish the operation of opening the table. See Figure 3.

Figure 1

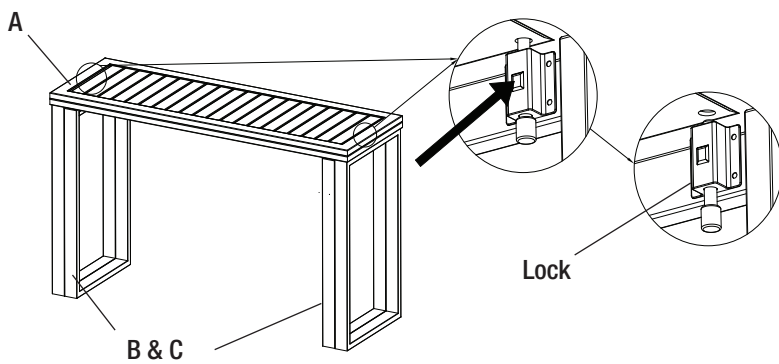


Figure 2

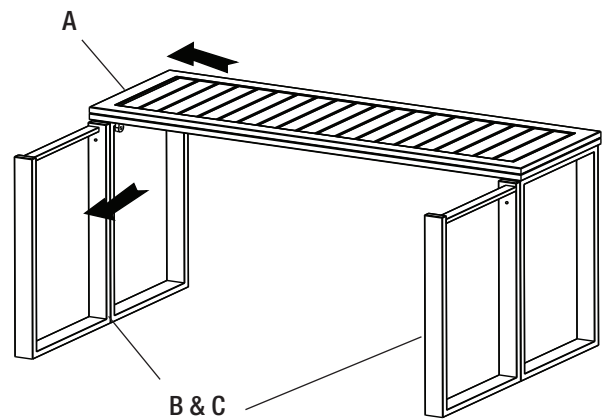
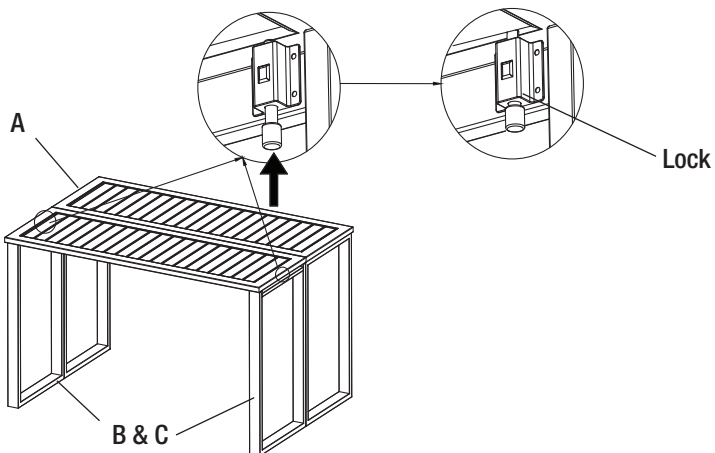


Figure 3



Instruction to Close The Table

2 Closing the table

- Unfasten the locks under the table top (A). See Figure 1.
- Slowly fold the table top (A) and push the table legs (B & C) backward carefully until the table legs will not move any farther. See Figure 2.
- Fasten the locks under the table top (A) to finish the operation of closing the table. See Figure 3

Figure 1

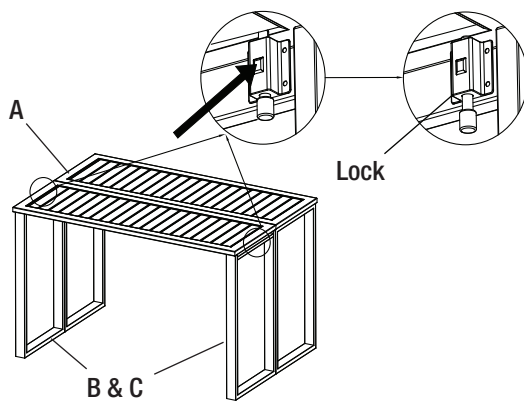


Figure 2

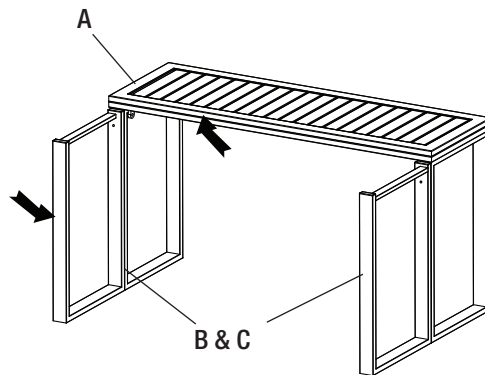
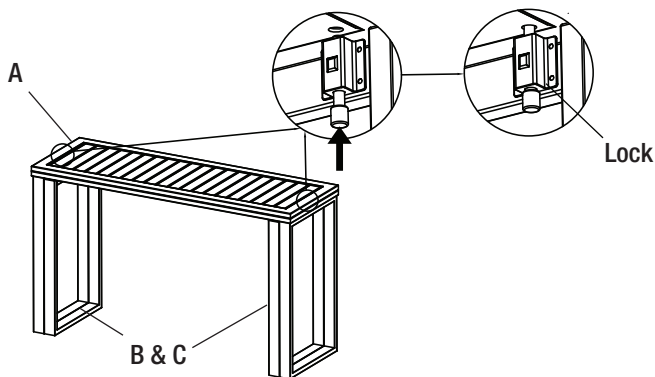


Figure 3



Care and Cleaning

- For best results, clean the table with a damp cloth and dry thoroughly. This will help prevent mildew by removing dirt particles that may accumulate.
- Do not clean with abrasive materials, bleach, or solvents.
- Store the table in a dry, sheltered place when not in use.
- Keep the table away from fire, extreme heat, freezing conditions, and inclement weather such as rain, hail, sleet, snow, or wind.

HAMPTON BAY®

Questions, problems, missing parts? Before returning to the store,
call Hampton Bay Customer Service.
8 a.m. - 7 p.m., EST, Monday - Friday, 9 a.m. - 6 p.m., EST, Saturday

1-855-HD-HAMPTON

HOMEDEPOT.CA

Retain this manual for future use.

For certification use only
Factory ID # FTM01471B