

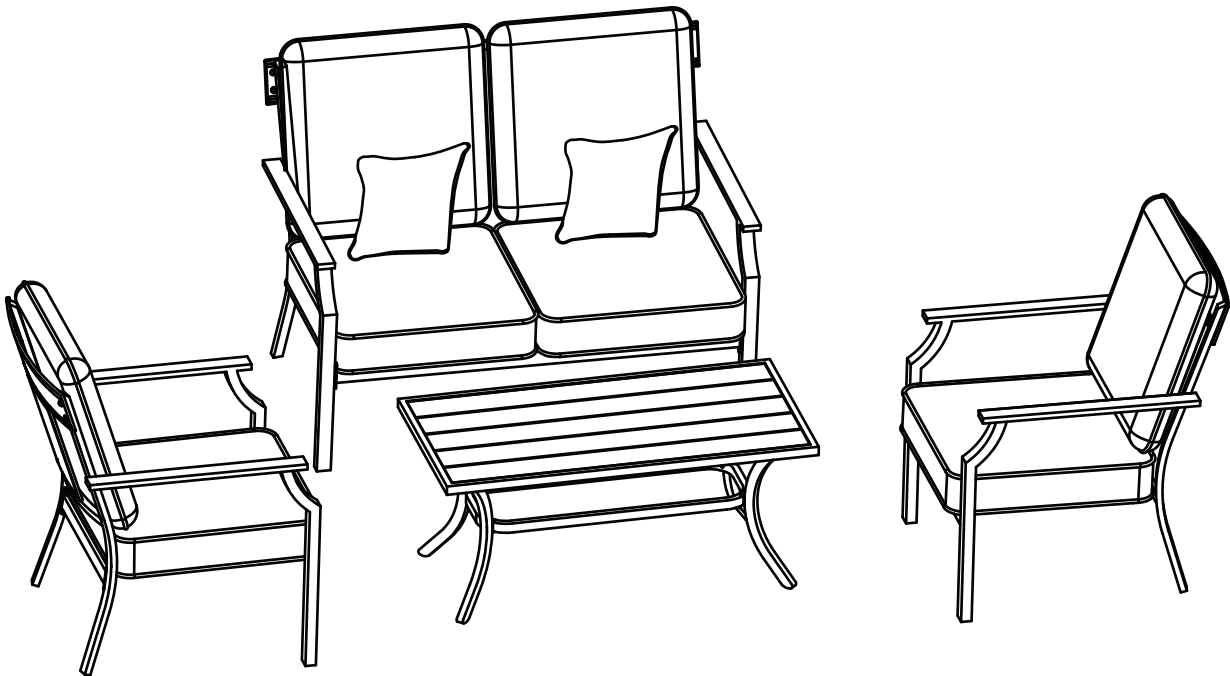
Item # 1001 129 744  
1001 196 501  
Model # FZS80406-ST  
FZS80406-STN

# HAMPTON BAY<sup>®</sup>

## USE AND CARE GUIDE

---

### COOPERSMITH 4-PIECE DEEP SEATING SET



Questions, problems, missing parts? Before returning to the store,  
call Hampton Bay Customer Service.  
8 a.m. - 7 p.m., EST, Monday - Friday, 9 a.m. - 6 p.m., EST, Saturday

**1-855-HD-HAMPTON**

**HOMEDPOT.CA**

---

#### **THANK YOU**

*We appreciate the trust and confidence you have placed in Hampton Bay through the purchase of this set. We strive to continually create quality products designed to enhance your home. Visit us online to see our full line of products available for your home improvement needs. Thank you for choosing Hampton Bay!*

# Table of Contents

|  |   |                                  |    |
|--|---|----------------------------------|----|
| Table of Contents .....                | 2 | Pre-Assembly .....               | 3  |
| Important Safety Instructions .....    | 2 | Planning Assembly .....          | 3  |
| Save These Instructions .....          | 2 | Hardware Included .....          | 3  |
| Read All Instructions Before Use ..... | 2 | Club Chair Package Contents..... | 4  |
| Warranty .....                         | 3 | Loveseat Package Contents.....   | 5  |
| What is Covered .....                  | 3 | Table Package Contents.....      | 6  |
| What is Not Covered .....              | 3 | Club Chair Assembly.....         | 7  |
|  |   | Loveseat Assembly.....           | 11 |
|  |   | Table Assembly.....              | 15 |
|  |   | Care and Cleaning.....           | 17 |

## Important Safety Instructions

### SAVE THESE INSTRUCTIONS



**WARNING:** This set was made for the explicit purpose of providing outdoor functions and is not to be used as a toy. This product is intended for normal outdoor use; however, the manufacturer recommends storing and / or covering this set when any formidable / severe weather is approaching.



**WARNING:** Do not locate this product near open flames. Do not use this product as a support. Do not shake, lean or climb on the product. Children under the age of 10, near the product, should be supervised by a competent adult at all times. This product is NOT intended for commercial use and will void the warranty.

### READ ALL INSTRUCTIONS BEFORE USE

To reduce the risk of injury to persons:

1. Close supervision is necessary when this product is used by or near children, or disabled persons, if applicable.
2. Use this product only for its intended use as described in these instructions. Do not use attachments not recommended by the manufacturer.
3. Do not move the chairs while the chairs are occupied. Failure to obey this caution could result in injury.
4. Do not rock in the chair as you may fall and cause serious injury.
5. Please keep children out of the assembly area before assembly.



**WARNING:** Weight limit for the chairs is 250 lbs (113.39 kg) for each seat.



**WARNING:** This seating set is heavy, and may require two adults for safe assembly.



**WARNING:** Do not place heavy objects on the club chair.



**WARNING:** Do not place heavy objects on the table top.



**WARNING:** Do not place heavy objects on the loveseat.



**CAUTION:** When not in use, secure the product in a cool and covered location.



**CAUTION:** Do not locate the product near any heat source.

# Warranty

## 2 YEAR FRAME AND 2 YEAR FABRIC LIMITED WARRANTY

### WHAT IS COVERED

We warrant the frames to be free of manufacturing defects to the original purchaser for two years, and a two year limited warranty for the fabric.

### WHAT IS NOT COVERED

It remains the customer's responsibility for freight and packaging charges to and from our service center. This warranty does not cover commercial use, hardware, acts of nature, fire, freezing and abusive use. In addition, purchased parts are not covered under this warranty. We reserve the right to make substitutions with similar merchandise, if the model in question is no longer in production.

Contact the Customer Service Team at 1-855-HD-HAMPTON or visit [www.homedepot.ca](http://www.homedepot.ca).

# Pre-Assembly

## PLANNING ASSEMBLY

Read all instructions before assembly.

To avoid damaging this product, assemble it on a soft, non-abrasive surface such as carpet or cardboard.



**NOTE:** More than one person may be required to assemble this product.

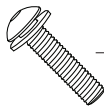
## HARDWARE INCLUDED



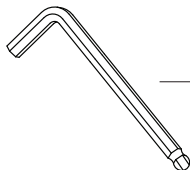
**NOTE:** Hardware not shown to actual size.



\_\_\_\_\_ AA



\_\_\_\_\_ BB

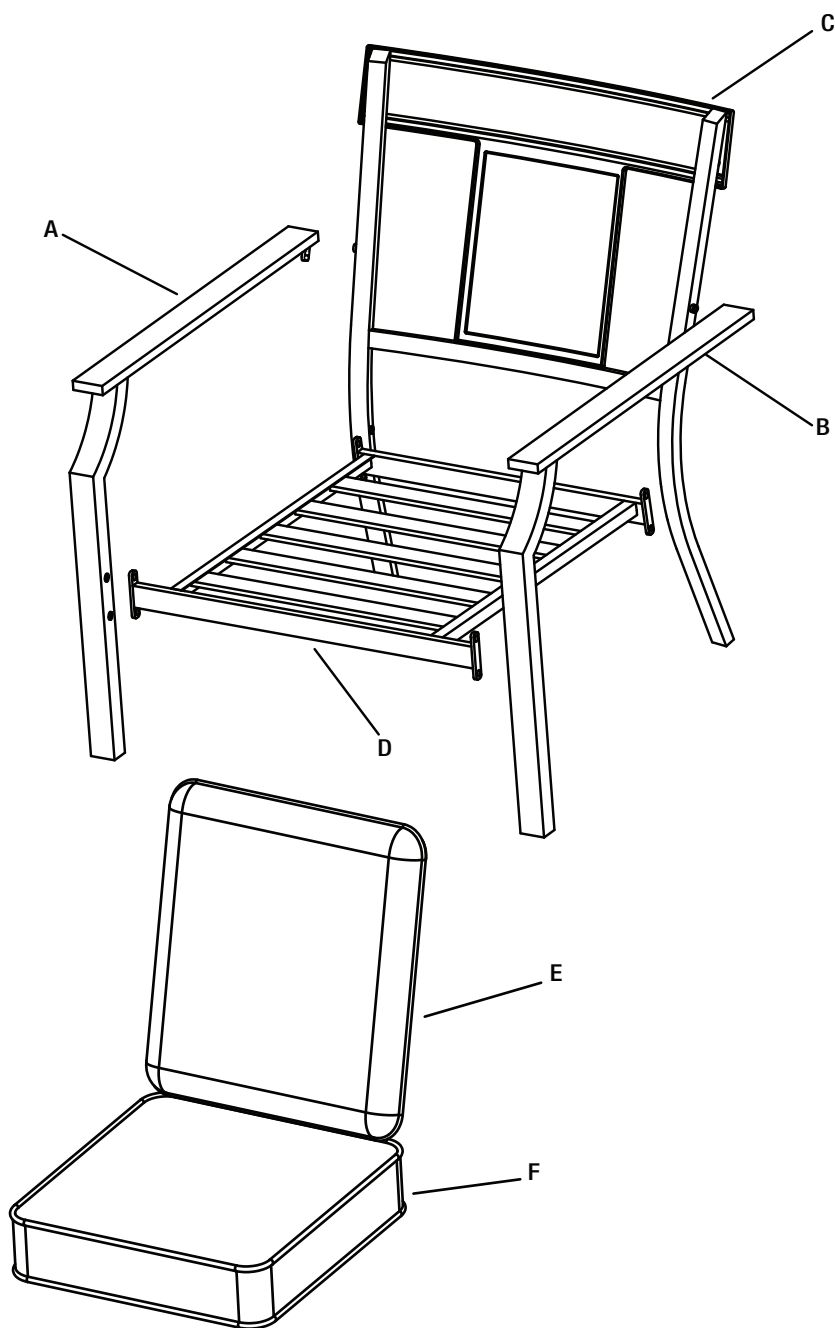


\_\_\_\_\_ CC

| Part | Description            | Quantity |
|------|------------------------|----------|
| AA   | M6x15 combination bolt | 38+1     |
| BB   | M6x30 combination bolt | 4+1      |
| CC   | Hex wrench             | 1        |

# Pre-Assembly (continued)

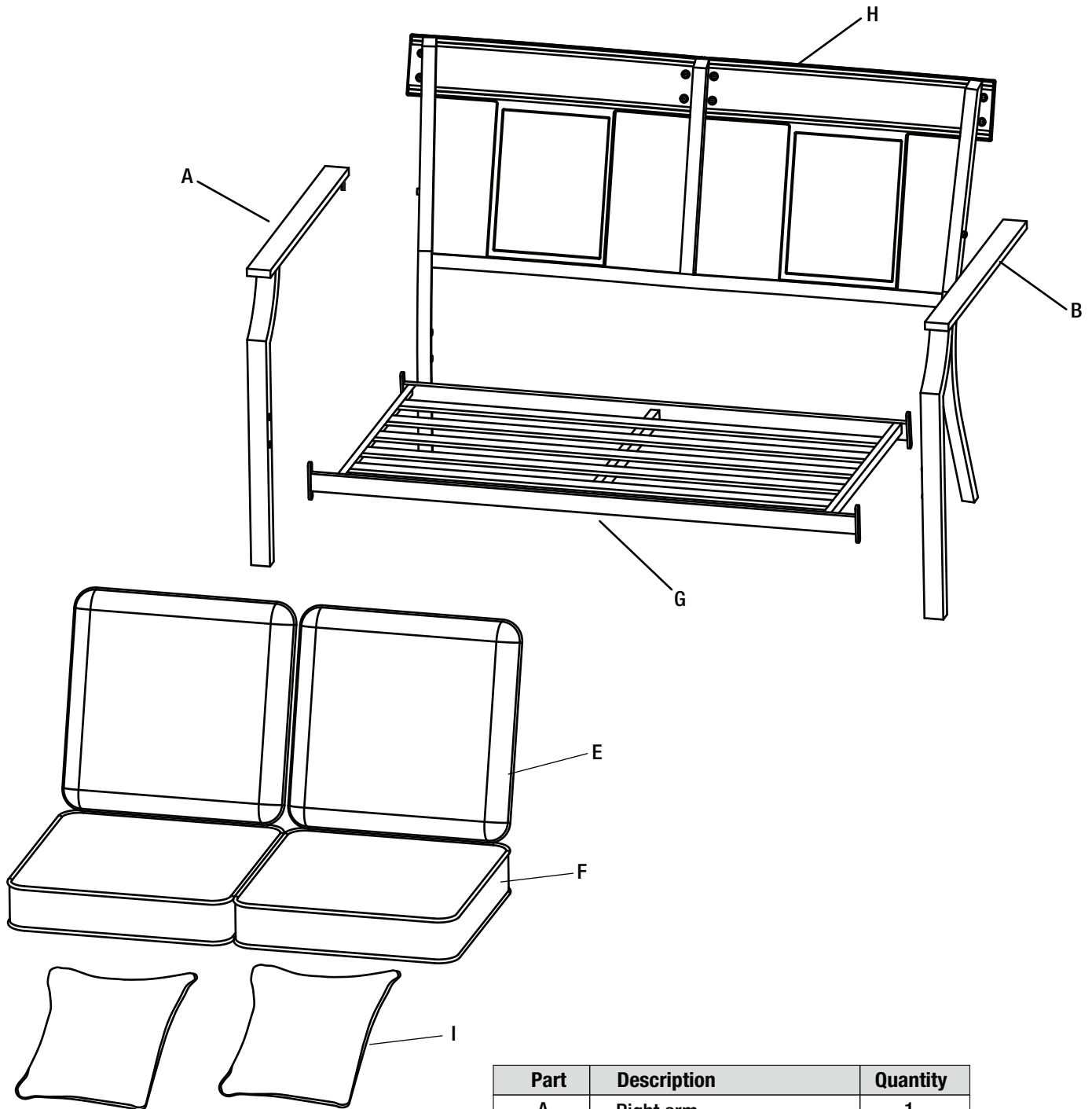
## CLUB CHAIR PACKAGE CONTENTS



| Part | Description         | Quantity |
|------|---------------------|----------|
| A    | Right arm           | 2        |
| B    | Left arm            | 2        |
| C    | Club chair backrest | 2        |
| D    | Club chair seat     | 2        |
| E    | Back cushion        | 2        |
| F    | Seat cushion        | 2        |

# Pre-Assembly (continued)

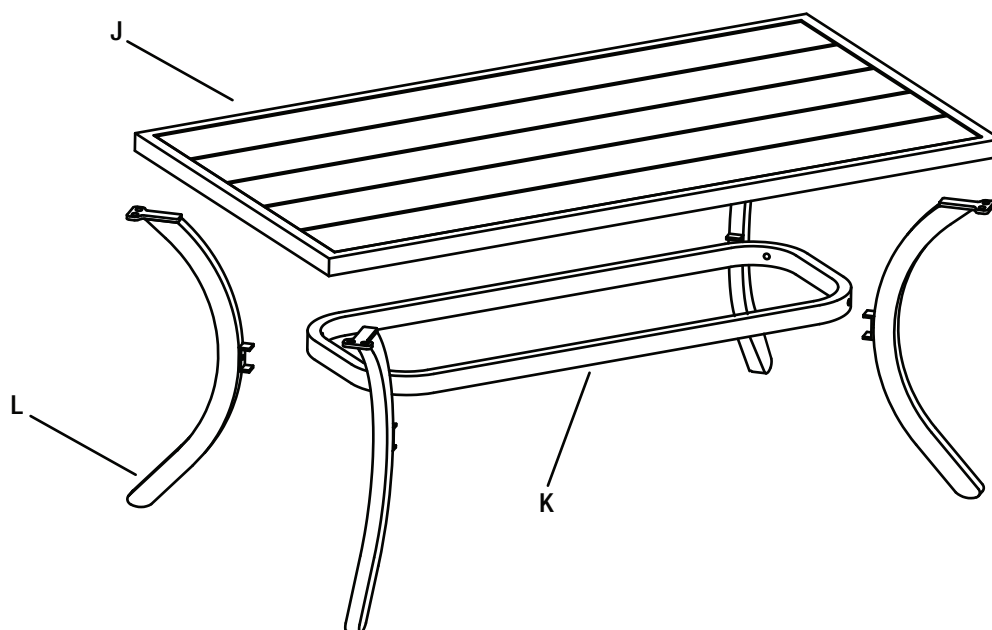
## LOVESEAT PACKAGE CONTENTS



| Part | Description       | Quantity |
|------|-------------------|----------|
| A    | Right arm         | 1        |
| B    | Left arm          | 1        |
| G    | Loveseat seat     | 1        |
| H    | Loveseat backrest | 1        |
| E    | Back cushion      | 2        |
| F    | Seat cushion      | 2        |
| I    | Pillow            | 2        |

# Pre-Assembly (continued)

## TABLE PACKAGE CONTENTS



| Part | Description   | Quantity |
|------|---------------|----------|
| J    | Table top     | 1        |
| K    | Leg connector | 1        |
| L    | Table leg     | 4        |

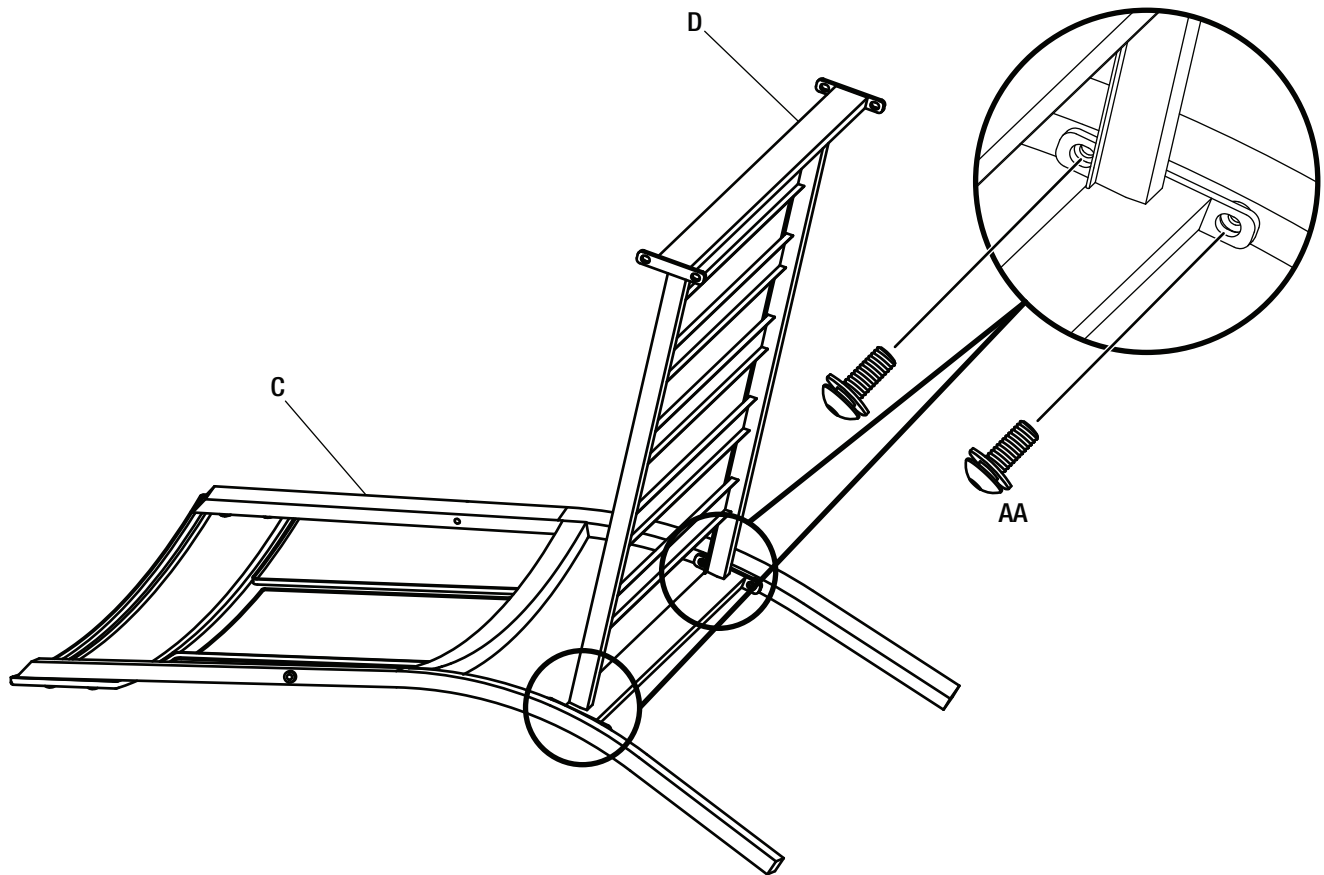
# Club Chair Assembly

## 1 ATTACHING THE CLUB CHAIR SEAT TO THE CLUB CHAIR BACKREST

- Place the club chair backrest (C) on a soft surface.
- Attach the club chair seat (D) to the club chair backrest (C) using M6x15 combination bolts (AA), as shown below.
- Do not fully tighten the bolts at this step.



**NOTE:** Loosely tighten all the bolts using the hex wrench (CC).



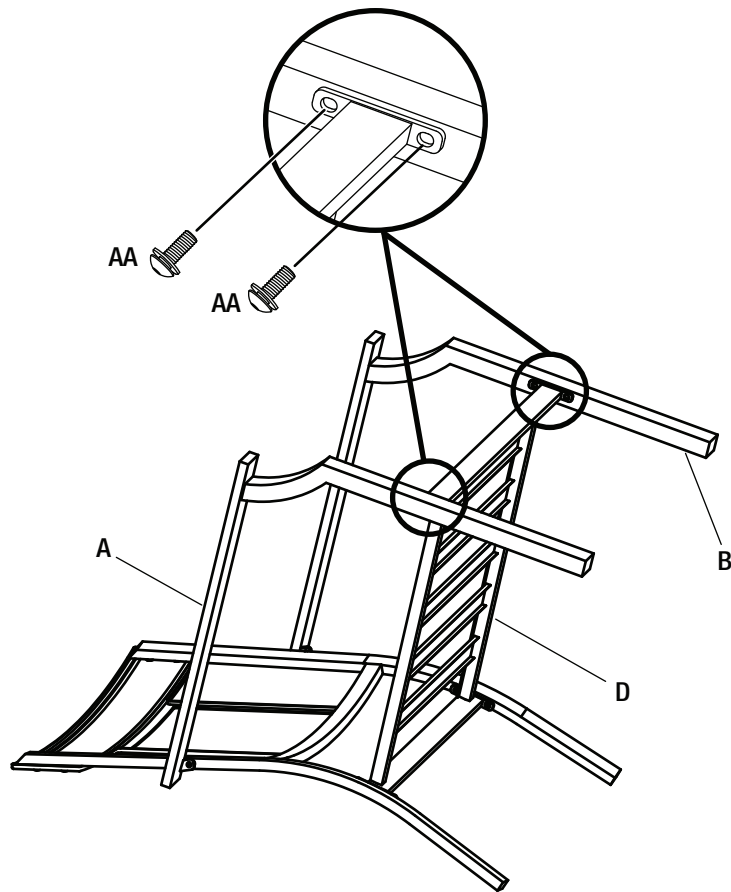
# Club Chair Assembly (continued)

## 2 ATTACHING THE ARMS TO THE CLUB CHAIR SEAT

- Attach the right arm (A) and the left arm (B) to the club chair seat (D) using M6x15 combination bolts (AA).
- Do not fully tighten the bolts at this step.



**NOTE:** Loosely tighten all the bolts using the hex wrench (CC).





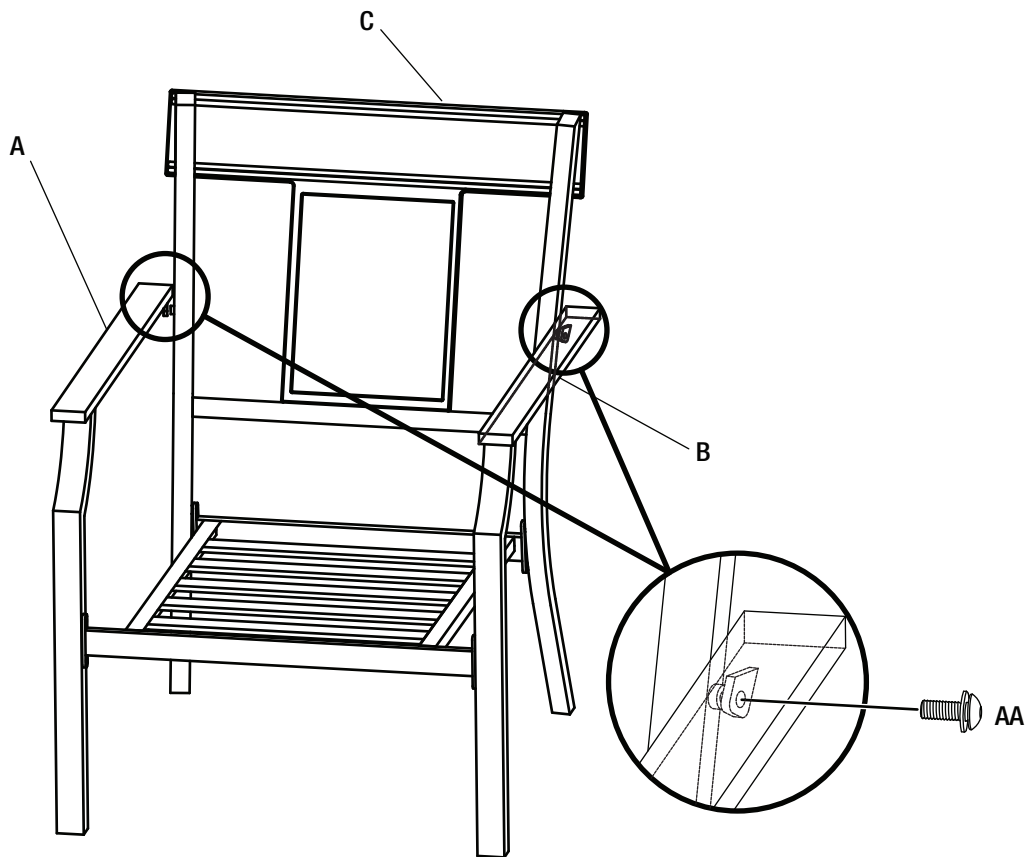
## Club Chair Assembly (continued)

### 3 ATTACHING THE ARMS TO THE CLUB CHAIR BACKREST

- Turn the chair right side up.
- Attach the right arm (A) and the left arm (B) to the club chair backrest (C) using M6x15 combination bolts (AA).
- Do not fully tighten the bolts at this step.



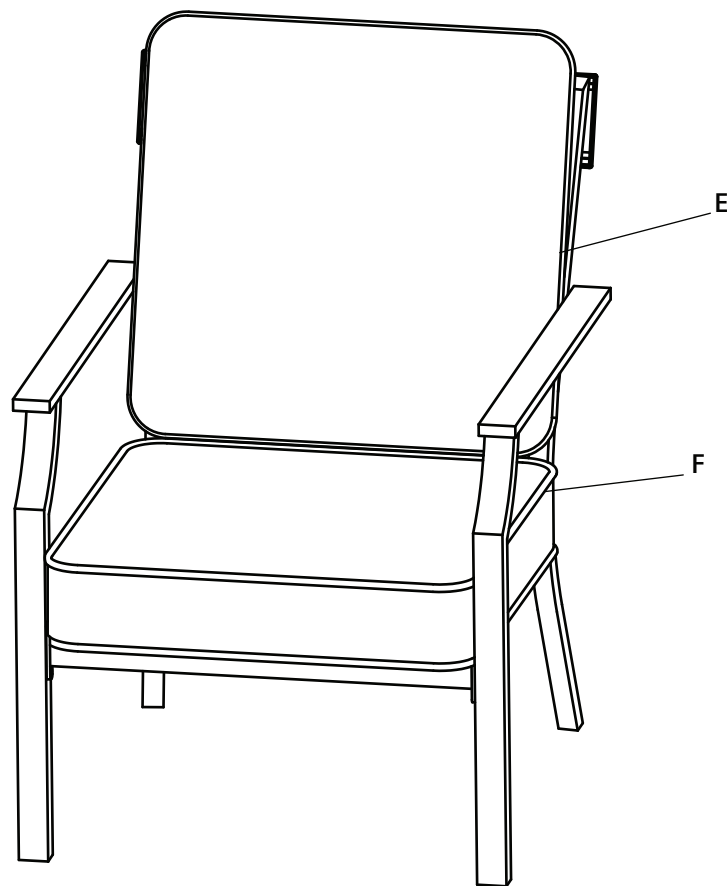
**NOTE:** Loosely tighten all the bolts using the hex wrench (CC).



## Club Chair Assembly (continued)

### 4 TIGHTENING THE BOLTS

- Once all of the bolts are in place, fully tighten the bolts.
- Place the seat cushion (F) and the back cushion (E) to finish the assembly of the club chair.
- Ensure all connections are secure before use.



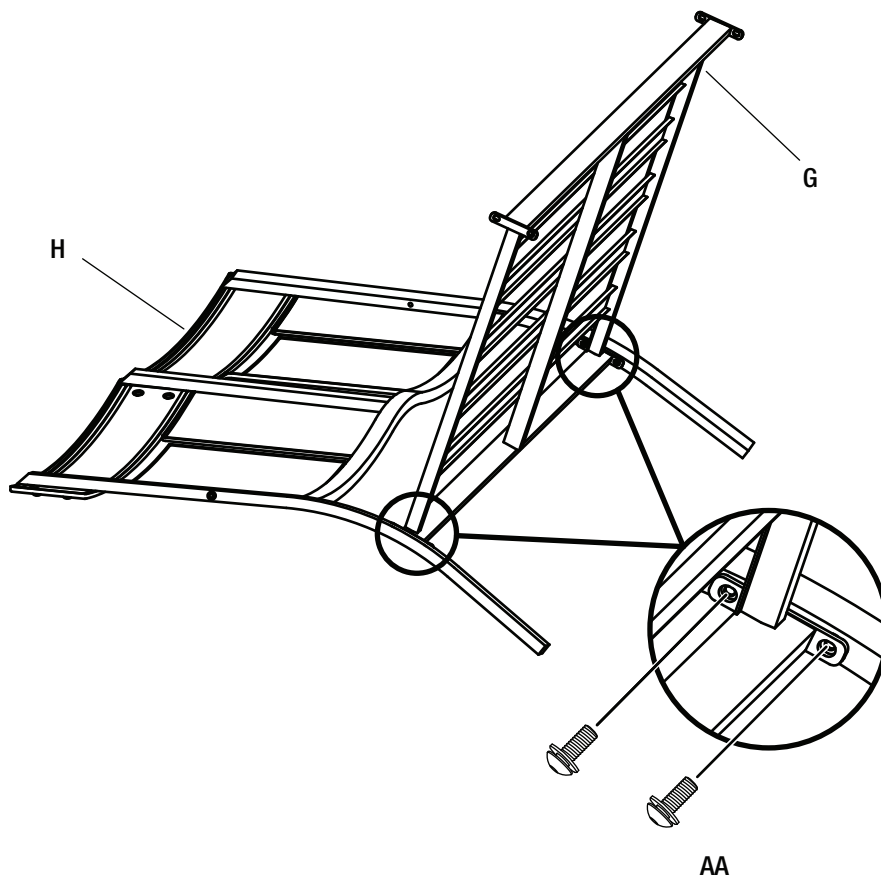
# Loveseat Assembly

## 1 ATTACHING THE LOVESEAT SEAT TO THE LOVESEAT BACKREST

- Place the loveseat backrest (H) on a soft surface.
- Attach the loveseat seat (G) to the loveseat backrest (H) using M6x15 combination bolts (AA), as shown below.
- Do not fully tighten the bolts at this step.



**NOTE:** Loosely tighten all the bolts using the hex wrench (CC).



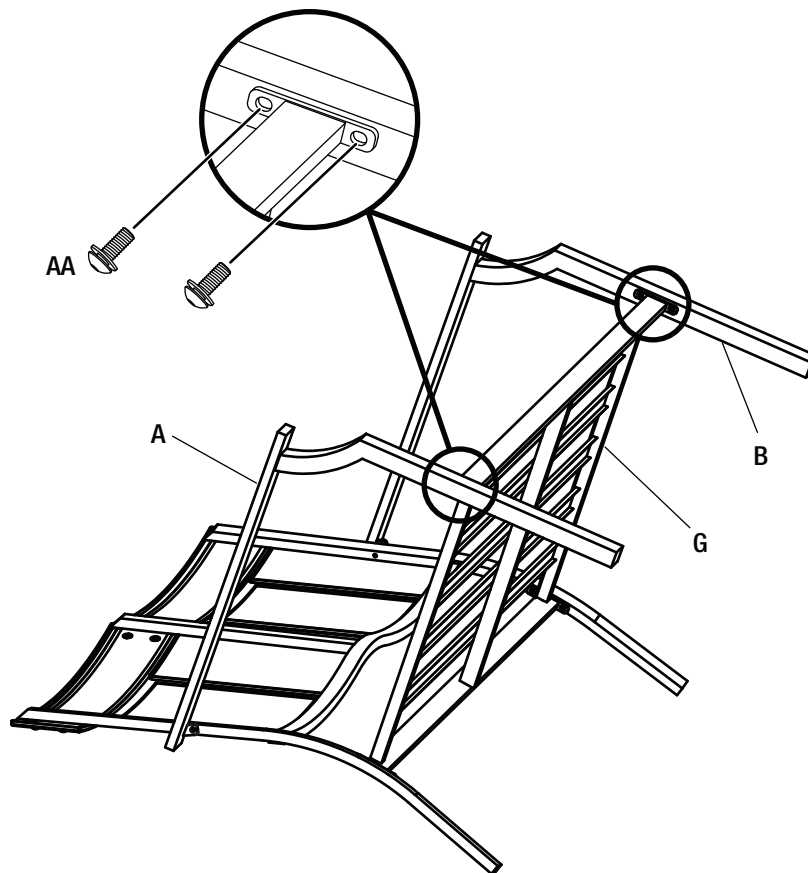
## Loveseat Assembly (continued)

### 2 ATTACHING THE ARMS TO THE LOVESEAT SEAT

- Attach the right arm (A) and the left arm (B) to the loveseat seat (G) using M6x15 combination bolts (AA), as shown below.
- Do not fully tighten the bolts at this step.



**NOTE:** Loosely tighten all the bolts using the hex wrench (CC).



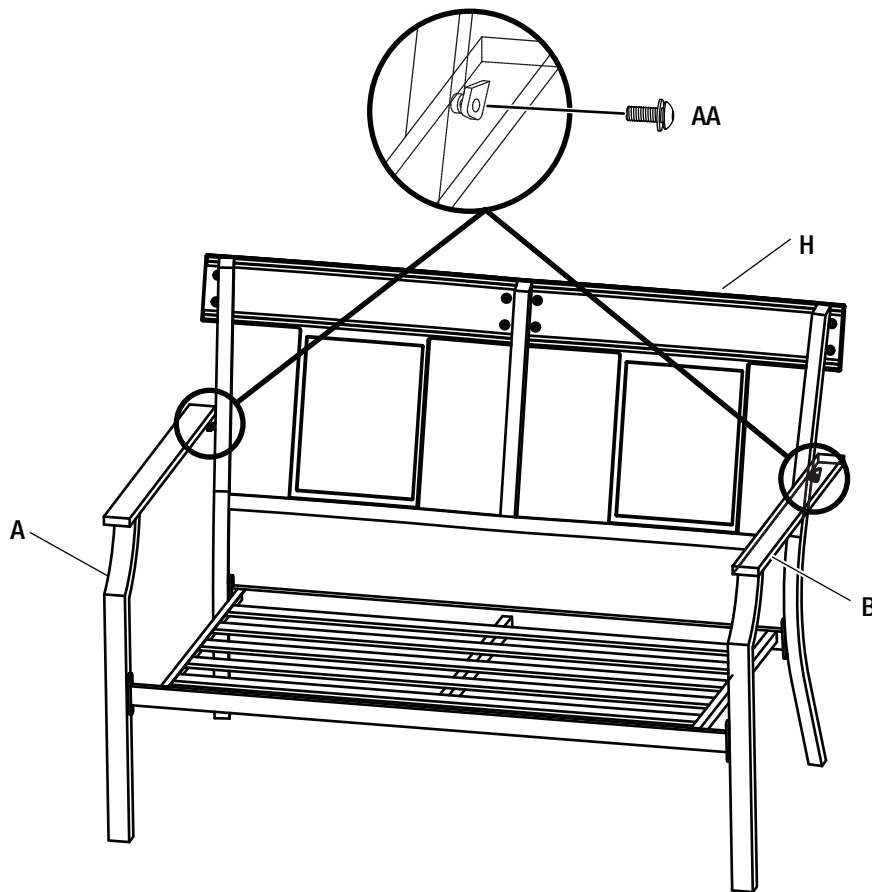
## Loveseat Assembly (continued)

### 3 ATTACHING THE ARMS TO THE LOVESEAT BACKREST

- Turn the loveseat right side up.
- Attach the right arm (A) and the left arm (B) to the loveseat backrest (H) using M6x15 combination bolts (AA), as shown below.
- Do not fully tighten the bolts at this step.



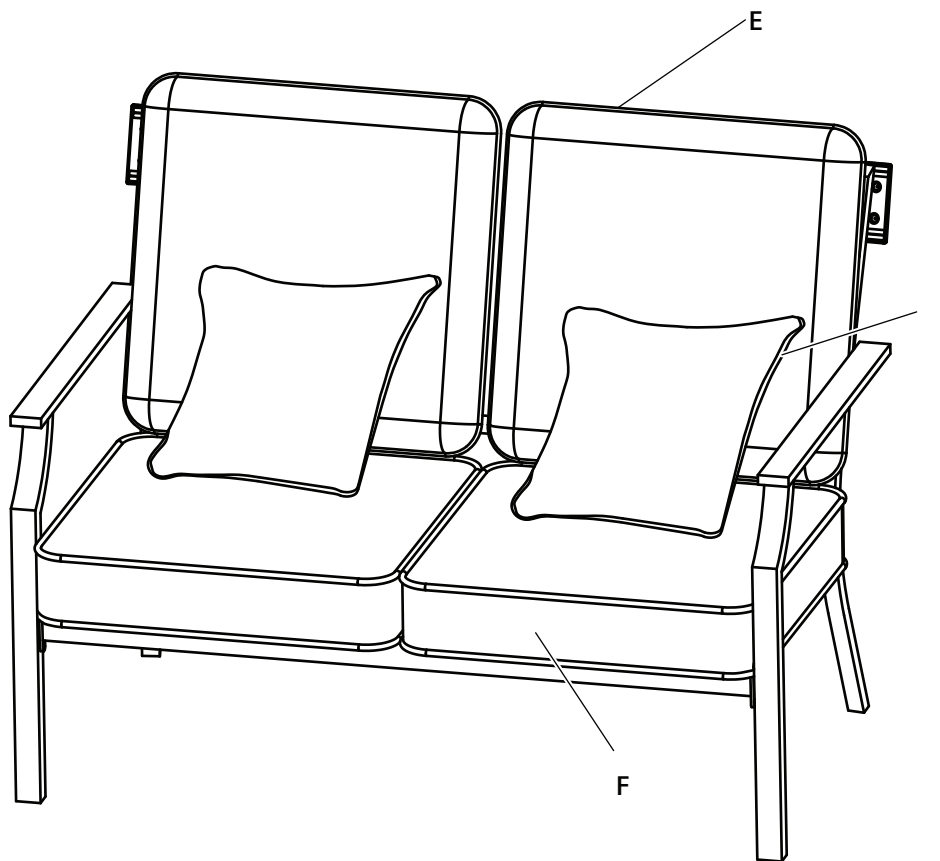
**NOTE:** Loosely tighten all the bolts using the hex wrench (CC).



## Loveseat Assembly (continued)

### 4 TIGHTENING THE BOLTS

- Once all of the bolts are in place, fully tighten the bolts.
- Place the seat cushions (F), the back cushions (E) and the pillows (I) to finish the assembly of the loveseat.
- Ensure all connections are secure before use.



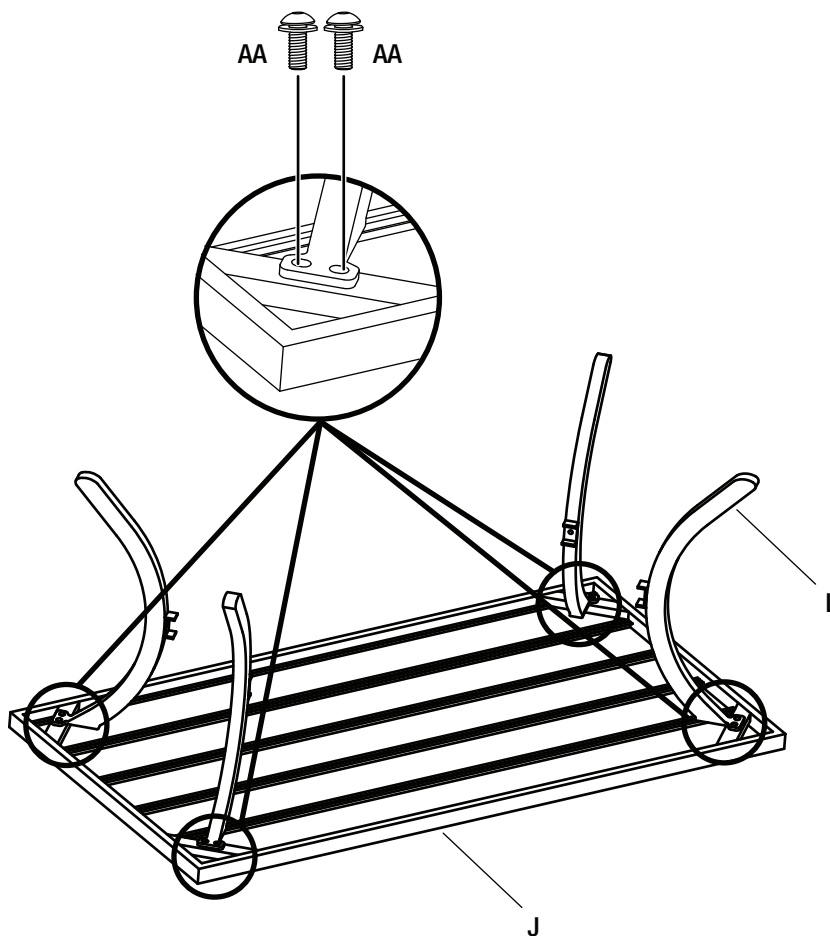
# Table Assembly

## 1 ATTACHING THE TABLE LEGS TO THE TABLE TOP

- Place the table top (J) upside down on a soft surface.
- Attach the table legs (L) to the table top (J) using M6x15 combination bolts (AA).
- Do not fully tighten the bolts at this step.



**NOTE:** Loosely tighten all the bolts using the hex wrench (CC).



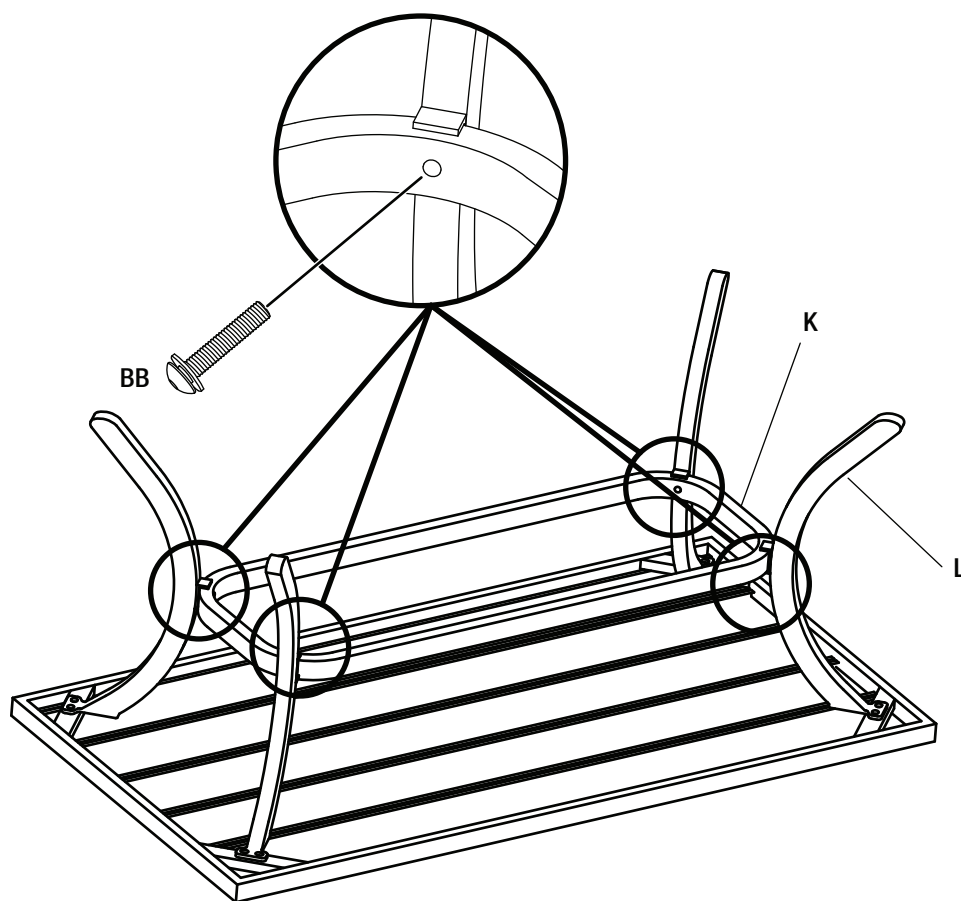
## Table Assembly (continued)

### 2 ATTACHING THE LEG CONNECTOR TO THE TABLE LEGS

- Attach the leg connector (K) to the table legs (L) using M6x30 combination bolts (BB).
- Do not fully tighten the bolts at this step.



**NOTE:** Loosely tighten all the bolts using the hex wrench (CC).

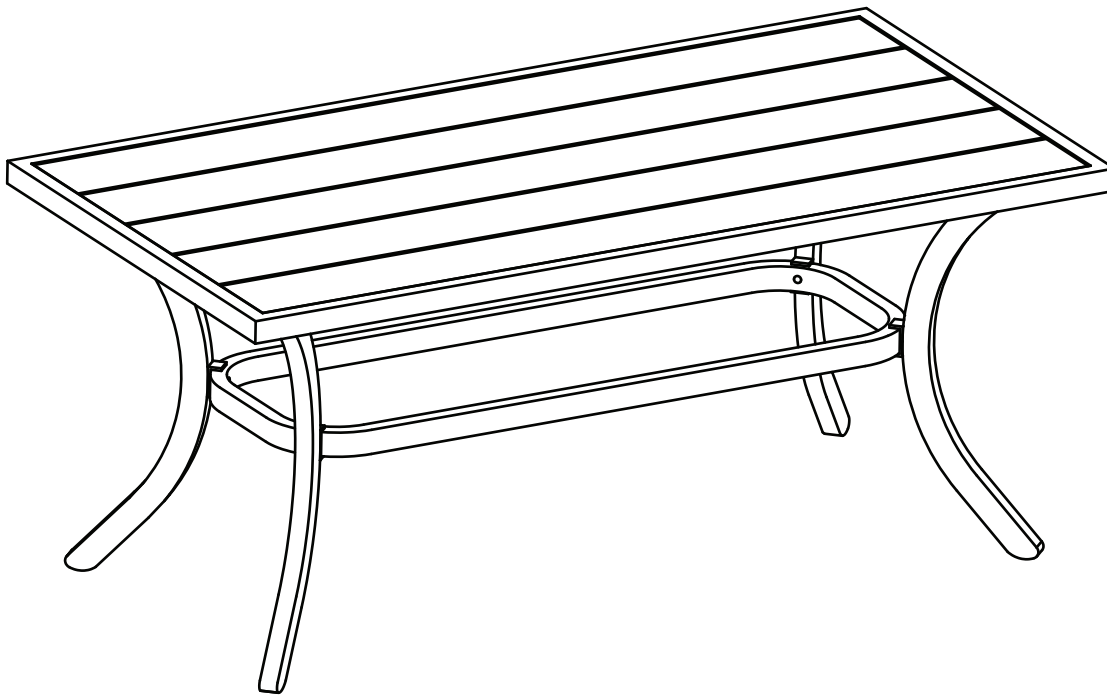




## Table Assembly (continued)

### 3 CHECKING THE TABLE

- Once all of the bolts are in place, fully tighten the bolts.
- Turn the table right side up.
- Ensure all connections are secure before use.



## Care and Cleaning

- For best results, clean the frame and fabric with a damp cloth and dry thoroughly. This will help prevent mildew by removing dirt particles that may accumulate.
- Do not clean with abrasive materials, bleach, or solvents.
- Store the set in a dry, sheltered place when not in use.
- Keep the set away from fire, extreme heat, freezing conditions, and inclement weather such as rain, hail, sleet, snow, or wind.

# HAMPTON BAY<sup>®</sup>

Questions, problems, missing parts? Before returning to the store,  
call Hampton Bay Customer Service.  
8 a.m. - 7 p.m., EST, Monday - Friday, 9 a.m. - 6 p.m., EST, Saturday

**1-855-HD-HAMPTON**

**HOMEDEPOT.CA**

Retain this manual for future use.

For certification use only

Factory club chair ID # FZS80406A

Factory loveseat ID # FZS80406AL

Factory table ID # FTS81052