

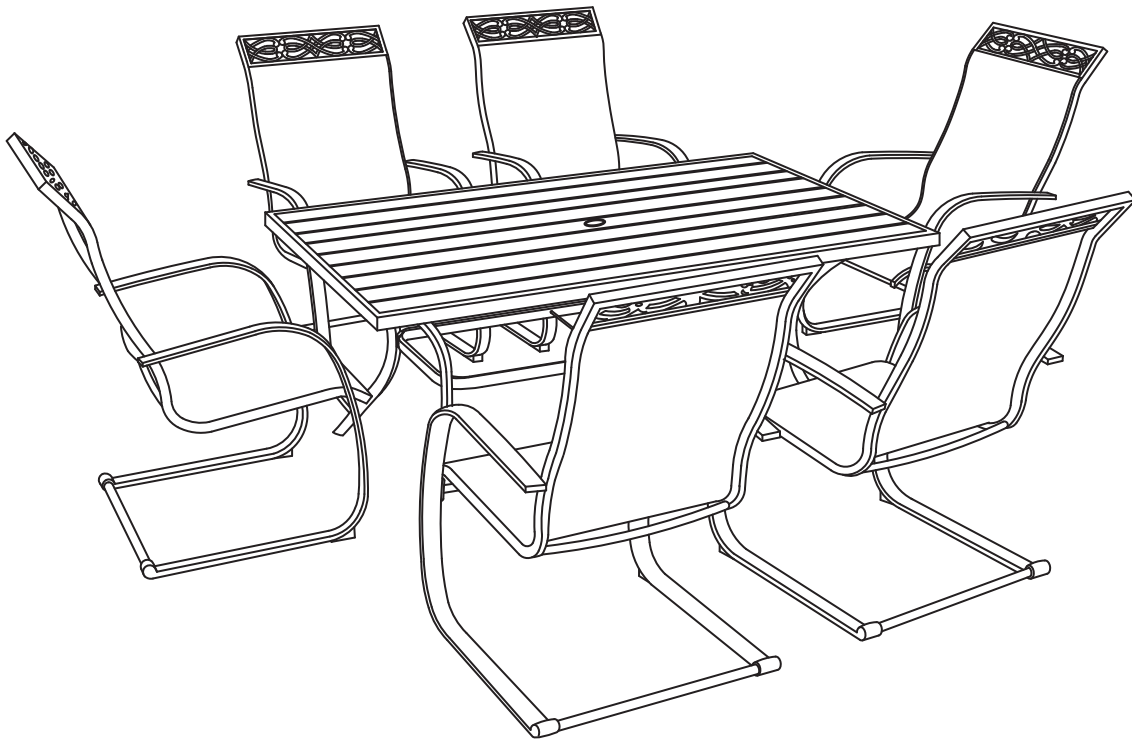
Item # 1001 129 748  
Model # FCS60575R-ST

# HAMPTON BAY®

## USE AND CARE GUIDE

---

### ELM COURT 7-PIECE DINING SET



Questions, problems, missing parts? Before returning to the store,  
call Hampton Bay Customer Service.  
8 a.m. - 7 p.m., EST, Monday - Friday, 9 a.m. - 6 p.m., EST, Saturday

**1-855-HD-HAMPTON**

**HOMEDEPOT.CA**

---

#### THANK YOU

*We appreciate the trust and confidence you have placed in Hampton Bay through the purchase of this dining set. We strive to continually create quality products designed to enhance your home. Visit us online to see our full line of products available for your home improvement needs. Thank you for choosing Hampton Bay!*

# Table of Contents

Table of Contents .....	2	Pre-Assembly .....	3
Important Safety Instructions .....	2	Planning Assembly .....	3
Save These Instructions .....	2	Hardware Included .....	3
Read All Instructions Before Use .....	2	Chair Packaging Contents.....	4
Warranty .....	3	Table Package Contents .....	5
What is Covered .....	3	Chair Assembly.....	6
What is Not Covered .....	3	Table Assembly.....	10
		Care and Cleaning.....	12

## Important Safety Instructions

### SAVE THESE INSTRUCTIONS



**WARNING:** This set was made for the explicit purpose of providing outdoor functions and is not to be used as a toy. This product is intended for normal outdoor use; however, the manufacturer recommends storing and / or covering this set when any formidable / severe weather is approaching.



**WARNING:** Do not locate this product near open flames. Do not use this product as a support. Do not shake, lean or climb on the product. Children under the age of 10, near the product, should be supervised by a competent adult at all times. This product is NOT intended for commercial use and will void the warranty.

### READ ALL INSTRUCTIONS BEFORE USE

To reduce the risk of injury to persons:

1. Close supervision is necessary when this product is used by or near children, or disabled persons, if applicable.
2. Use this product only for its intended use as described in these instructions. Do not use attachments not recommended by the manufacturer.
3. Do not move the chairs while the chairs are occupied. Failure to obey this caution could result in injury.
4. Do not rock in the chair as you may fall and cause serious injury.
5. Please keep children out of the assembly area before assembly.
6. This table is not intended to support an umbrella. Umbrellas must have a suitable base or stand.



**WARNING:** Weight limit for the chairs is 225 lbs (102.06 kg) for each seat.



**WARNING:** This dining set is heavy, and may require two adults for safe assembly.



**WARNING:** Do not place heavy objects on the chair.



**WARNING:** Do not place heavy objects on the table top.



**CAUTION:** When not in use, secure the product in a cool and covered location.

# Warranty

## 2 YEAR FRAME AND 2 YEAR FABRIC LIMITED WARRANTY

### WHAT IS COVERED

We warrant the frames to be free of manufacturing defects to the original purchaser for two years, and a two year limited warranty for the fabric.

### WHAT IS NOT COVERED

It remains the customer's responsibility for freight and packaging charges to and from our service center. This warranty does not cover commercial use, hardware, acts of nature, fire, freezing and abusive use. In addition, purchased parts are not covered under this warranty. We reserve the right to make substitutions with similar merchandise, if the model in question is no longer in production.

Contact the Customer Service Team at 1-855-HD-HAMPTON or visit [www.homedepot.ca](http://www.homedepot.ca).

# Pre-Assembly

## PLANNING ASSEMBLY

Read all instructions before assembly.

To avoid damaging this product, assemble it on a soft, non-abrasive surface such as carpet or cardboard.



**NOTE:** More than one person may be required to assemble this product.

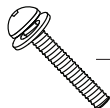
## HARDWARE INCLUDED



**NOTE:** Hardware not shown to actual size.



AA



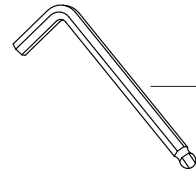
BB



CC



DD

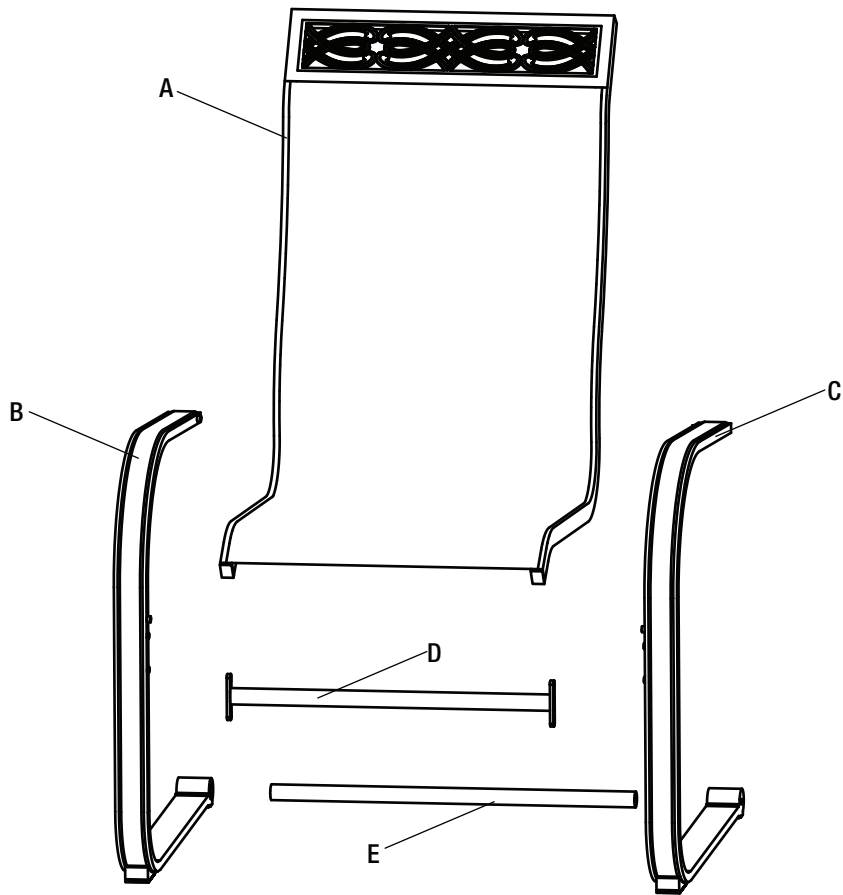


EE

Part	Description	Quantity
AA	M6x15 combination bolt	32+2
BB	M6x35 combination bolt	24+1
CC	M6x35 bolt	12+1
DD	M6x25 combination bolt	8+1
EE	Hex wrench	2

# Pre-Assembly (continued)

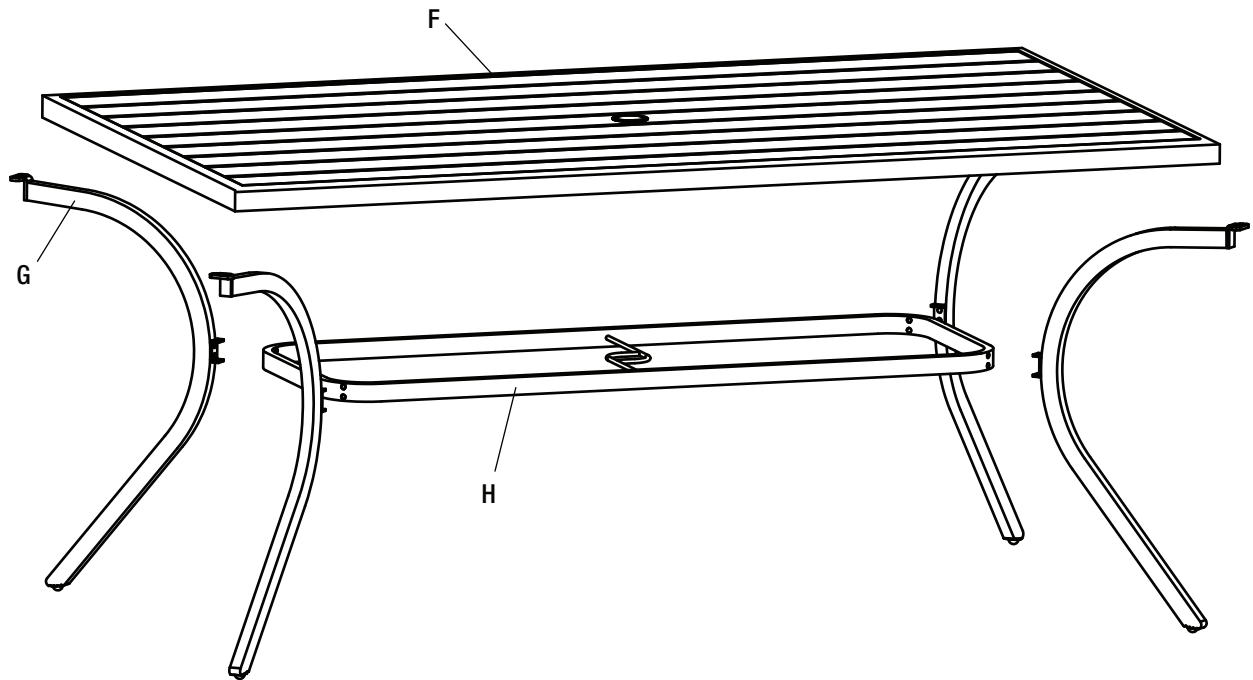
## CHAIR PACKAGE CONTENTS



Part	Description	Quantity
A	Chair bucket	6
B	Right arm	6
C	Left arm	6
D	Front bar	6
E	Back bar	6

# Pre-Assembly (continued)

## TABLE PACKAGE CONTENTS



Part	Description	Quantity
F	Table top	1
G	Table leg	4
H	Leg connector	1

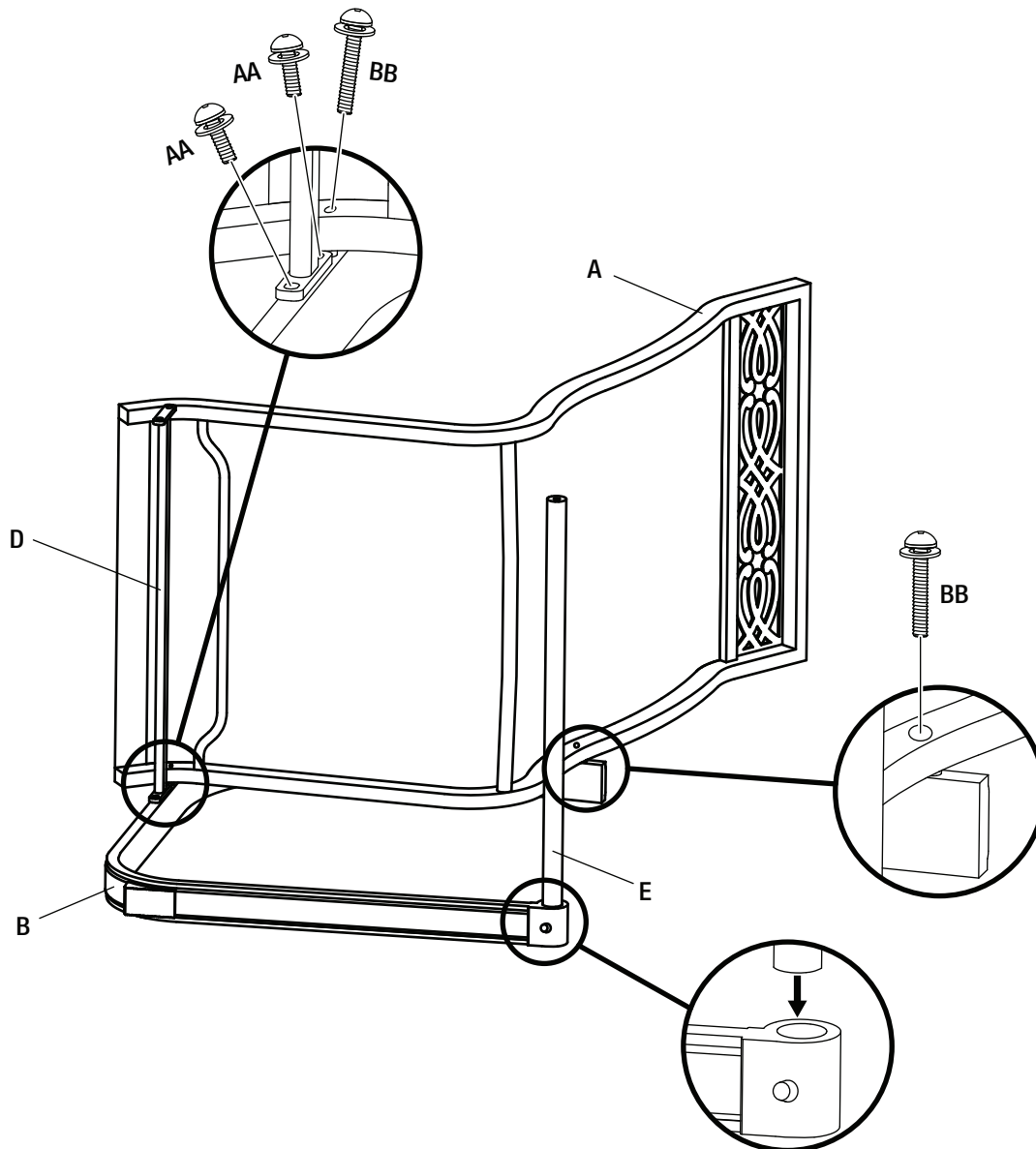
# Chair Assembly

## 1 CONNECTING THE CHAIR BUCKET, THE FRONT BAR AND THE BACK BAR TO THE RIGHT ARM

- Place the right arm (B) on a soft surface.
- Attach the chair bucket (A) to the right arm (B) using M6x35 combination bolts (BB), as shown below.
- Attach the front bar (D) to the right arm (B) using M6x15 combination bolts (AA), as shown below.
- Place the back bar (E) into the right arm (B).
- Do not fully tighten the bolts at this step.



**NOTE:** Loosely tighten all the bolts using the hex wrench (EE).



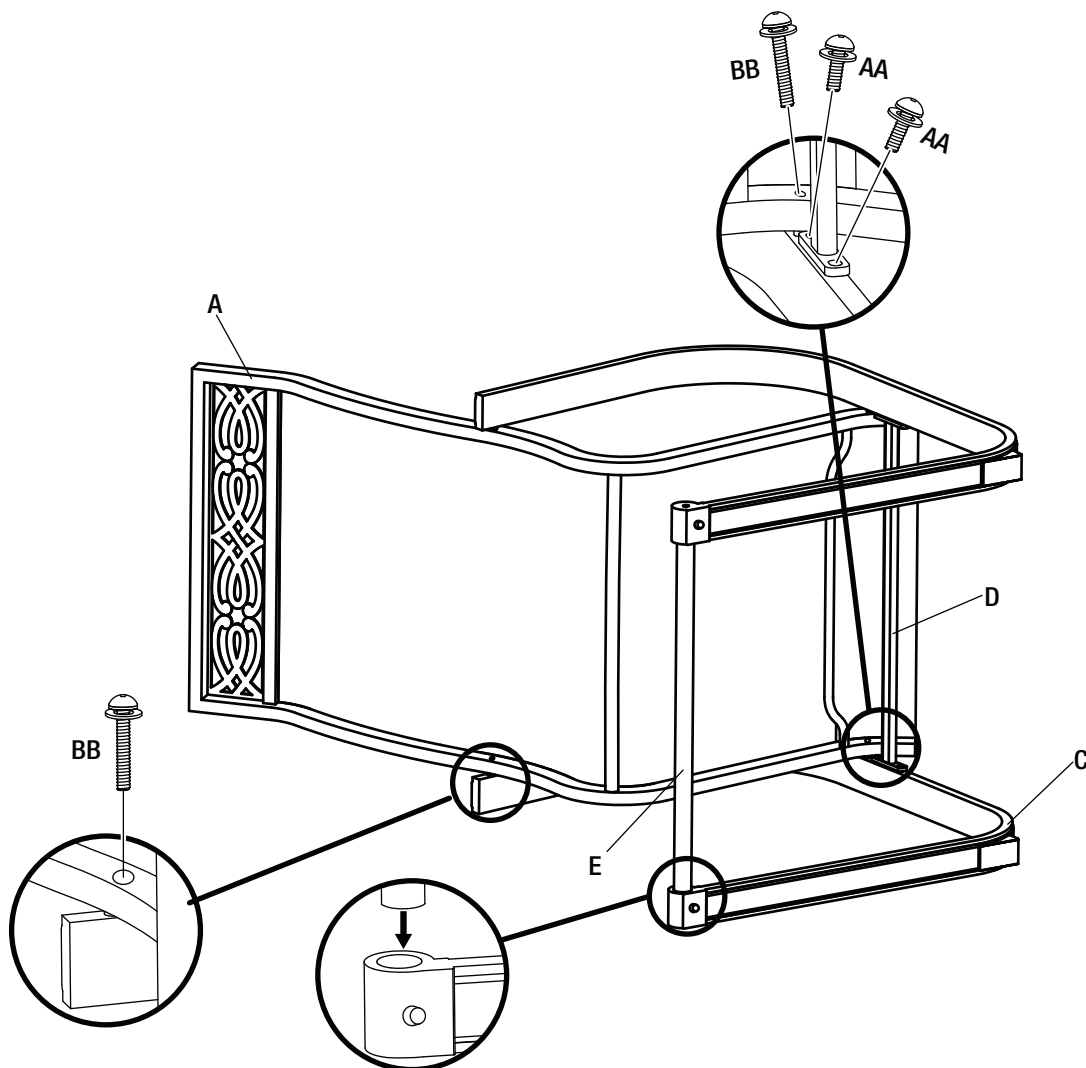
## Chair Assembly (continued)

### 2 CONNECTING THE CHAIR BUCKET, THE FRONT BAR AND THE BACK BAR TO THE LEFT ARM

- Place the left arm (C) on a soft surface.
- Attach the chair bucket (A) to the left arm (C) using M6x35 combination bolts (BB), as shown below.
- Attach the front bar (D) to the left arm (C) using M6x15 combination bolts (AA), as shown below.
- Place the back bar (E) into the left arm (C).
- Do not fully tighten the bolts at this step.



**NOTE:** Loosely tighten all the bolts using the hex wrench (EE).



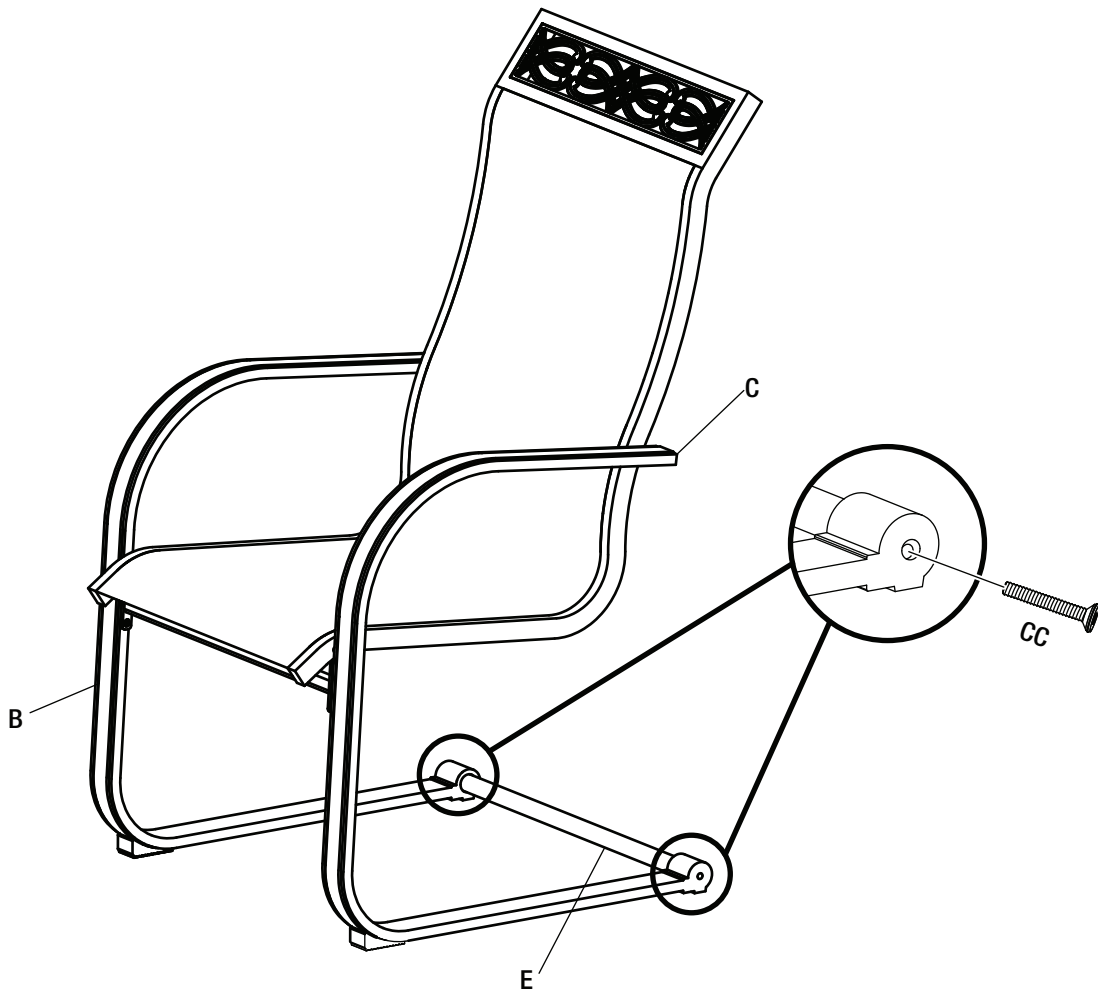
## Chair Assembly (continued)

### 3 SECURING THE BACK BAR

- Turn the chair right side up.
- Secure the back bar (E) to the chair arms (B and C) using M6x35 bolts (CC).



**NOTE:** loosely tighten all the bolts using the hex wrench (EE).

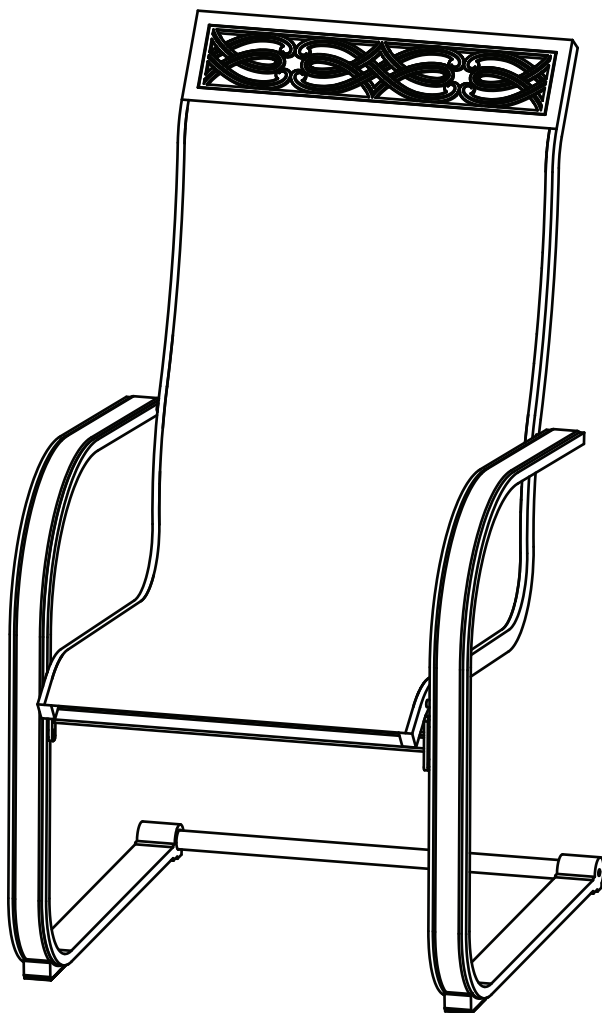




## Chair Assembly (continued)

### 4 TIGHTENING THE BOLTS

- Once all of the bolts are in place, fully tighten the bolts using the hex wrench (EE).
- Ensure all connections are secure before use.



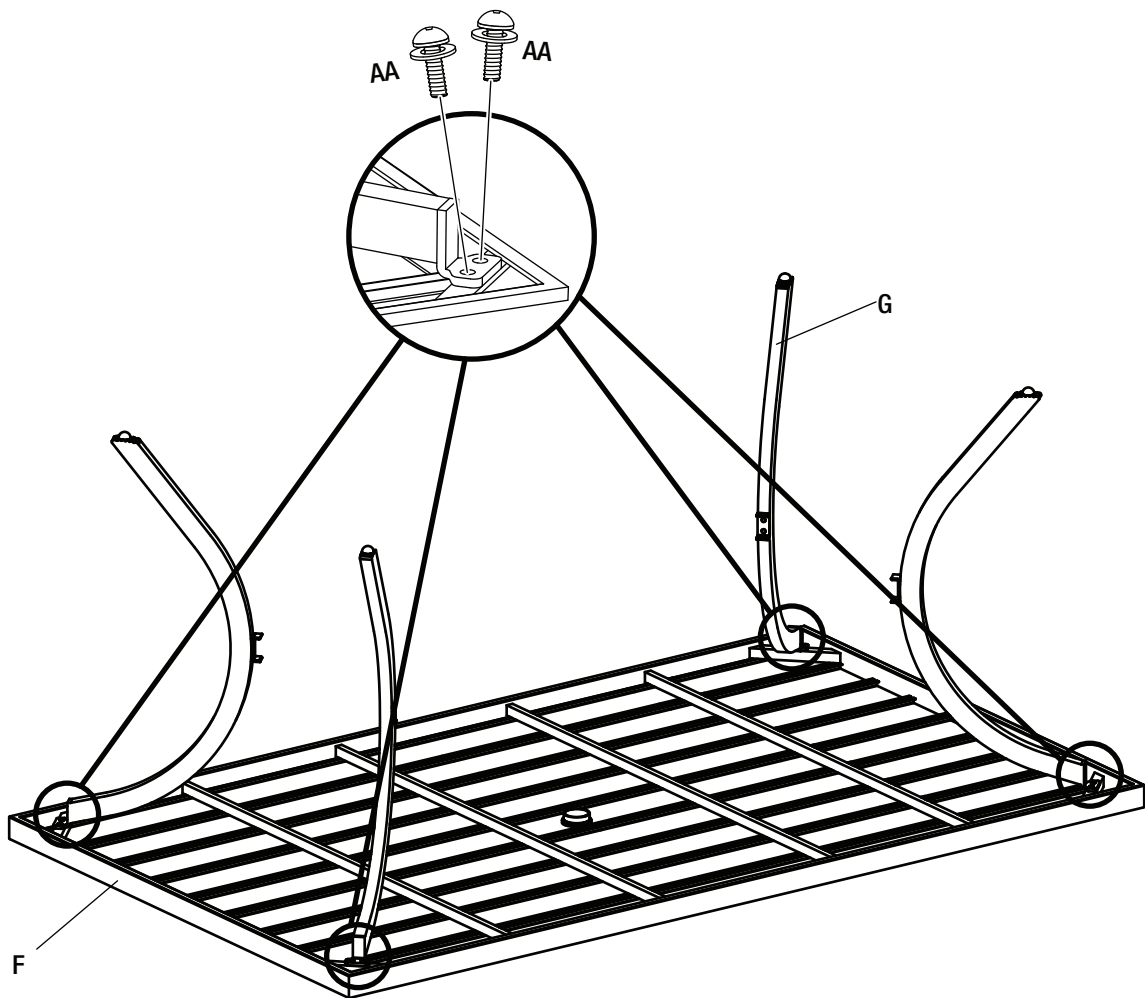
# Table Assembly

## 1 ATTACHING THE TABLE LEGS TO THE TABLE TOP

- Place the table top (F) upside down on a soft surface.
- Attach the table legs (G) to the table top (F) using M6x15 combination bolts (AA), as shown below.
- Do not fully tighten the bolts at this step.



**NOTE:** Loosely tighten all the bolts using the hex wrench (EE).



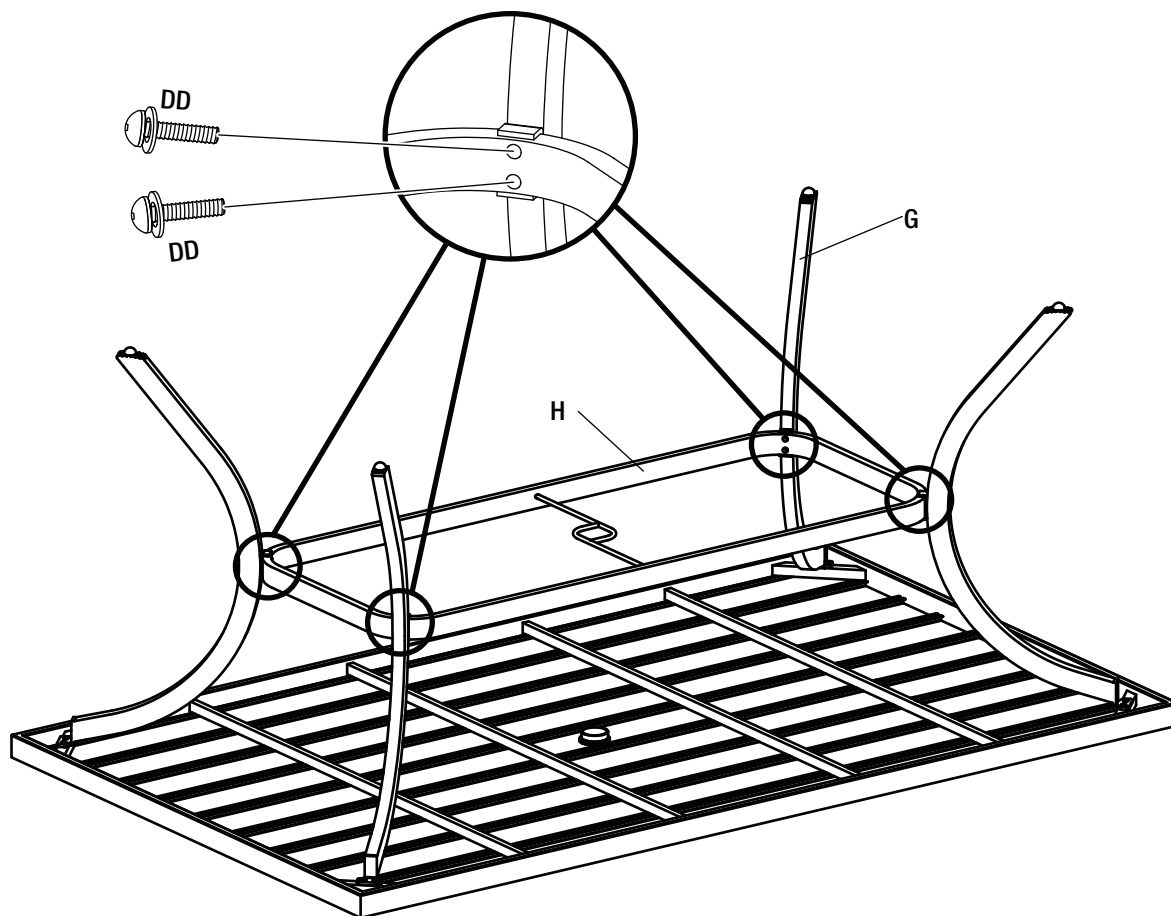
## Table Assembly (continued)

### 2 ATTACHING THE LEG CONNECTOR TO THE TABLE LEGS

- Attach the leg connector (H) to the table legs (G) using M6x25 combination bolts (DD).
- Do not fully tighten the bolts at this step.



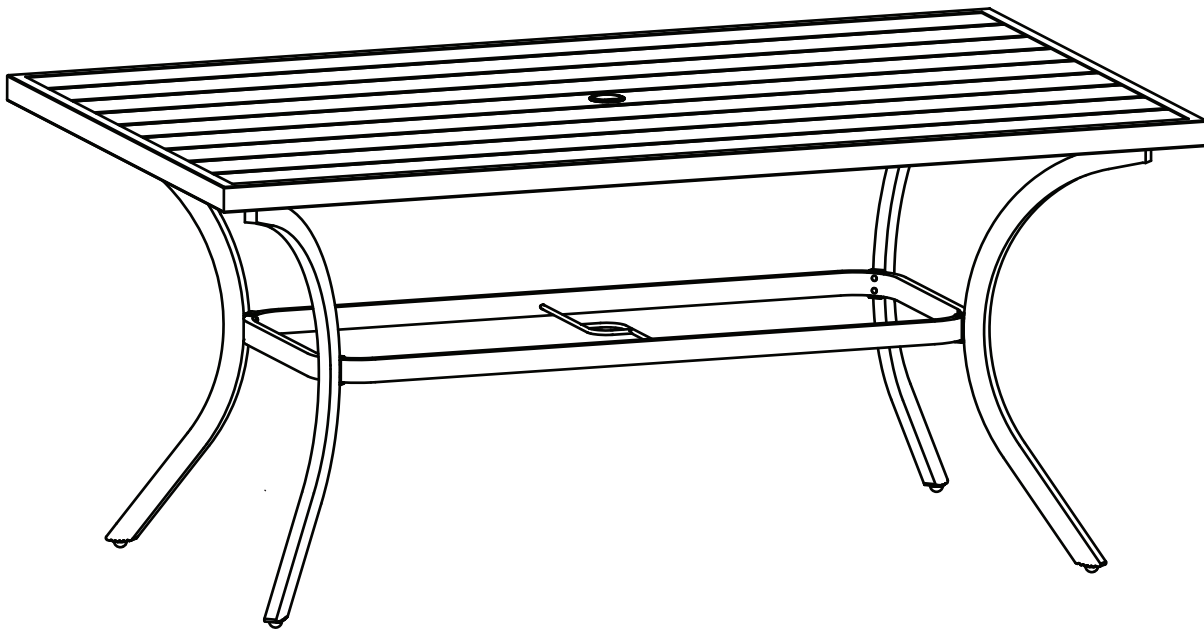
**NOTE:** Loosely tighten all the bolts using the hex wrench (EE).



## Table Assembly (continued)

### 3 TIGHTENING THE BOLTS

- Once all of the bolts are in place, fully tighten the bolts.
- Turn the table right side up.
- Ensure all connections are secure before use.



## Care and Cleaning

- For best results, clean the frame and fabric with a damp cloth and dry thoroughly. This will help prevent mildew by removing dirt particles that may accumulate.
- Do not clean with abrasive materials, bleach, or solvents.
- Store the set in a dry, sheltered place when not in use.
- Keep the set away from fire, extreme heat, freezing conditions, and inclement weather such as rain, hail, sleet, snow, or wind.

# HAMPTON BAY®

Questions, problems, missing parts? Before returning to the store,  
call Hampton Bay Customer Service.  
8 a.m. - 7 p.m., EST, Monday - Friday, 9 a.m. - 6 p.m., EST, Saturday

**1-855-HD-HAMPTON**

**HOMEDEPOT.CA**

Retain this manual for future use.

For certification use only
Factory chair ID # FCS60575R
Factory table ID # FTS80539J