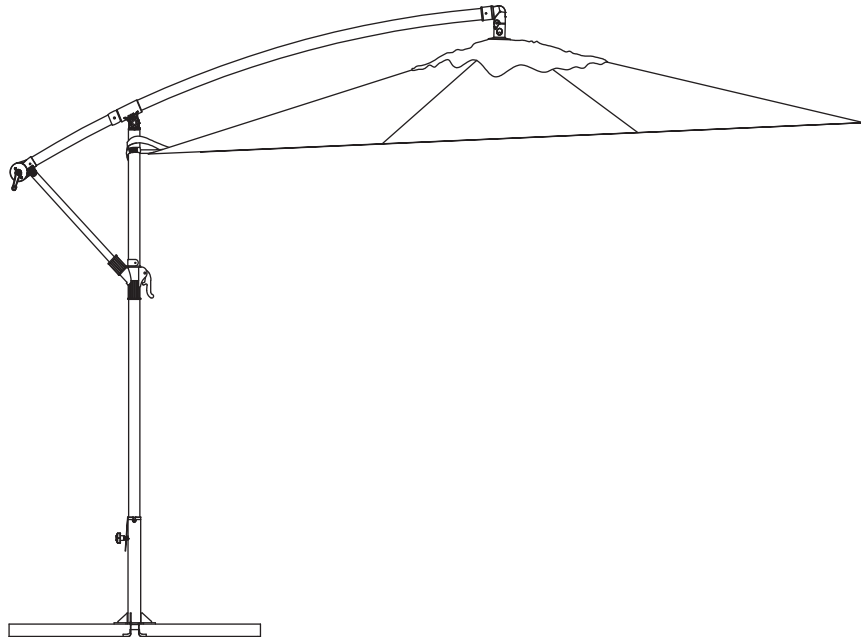


Item # 1001 163 167
1001 163 168
Model # YJAF-008-1-G
YJAF-008-1-T

HAMPTON BAY.

USE AND CARE GUIDE

10 FT. STEEL ROUND OFFSET UMBRELLA



Questions, problems, missing parts? Before returning to the store,
call Hampton Bay Customer Service.
8 a.m. - 7 p.m., EST, Monday - Friday, 9 a.m. - 6 p.m., EST, Saturday

1-855-HD-HAMPTON

HOMEDEPOT.CA

THANK YOU

We appreciate the trust and confidence you have placed in Hampton Bay through the purchase of this umbrella. We strive to continually create quality products designed to enhance your home. Visit us online to see our full line of products available for your home improvement needs. Thank you for choosing Hampton Bay!

Table of Contents

Table of Contents.....	2	Pre-Assembly.....	3
Safety Information	2	Planning Assembly	3
Product Caution.....	2	Hardware Included.....	3
Safety Warnings	2	Package Contents	4
Warranty.....	2	Assembly	5
What is Covered.....	2	Operation	10
What is Not Covered	2	Care and Cleaning	13

Safety Information

PRODUCT CAUTION

This umbrella was made for the explicit purpose of providing outdoor functions and is not to be used as a toy. This product is intended for normal outdoor use; however, the manufacturer recommends storing and / or covering this umbrella when any formidable / severe weather is approaching. Do not locate the product near open flame. Do not use the product as a support. Do not shake, lean or climb on product. Children under the age of 10, near the product, should be supervised by a competent adult at all times. This product is NOT intended for commercial use and will void the warranty.

SAFETY WARNINGS



WARNING: Please keep children out of the assembly area before assembly.



CAUTION: Always close and secure the product when not in use and in the event of inclement weather.



WARNING: This umbrella unit is heavy, and may require two adults for safe assembly.



CAUTION: Never use the umbrella in high wind conditions. Damage to the umbrella can occur.



WARNING: Never use this product as a support. Do not shake, lean, or climb on the product at any time.



CAUTION: Keep all flame and heat sources away from this product at all times.

Warranty

1 YEAR FRAME AND 1 YEAR FABRIC WARRANTY

WHAT IS COVERED

We warrant to be free of manufacturing defects to the original purchaser for one year frame and one year fabric.

WHAT IS NOT COVERED

It remains the customer's responsibility for freight and packaging charges to and from our service center. This warranty does not cover commercial use, hardware, acts of nature, fire, freezing, and abusive use. In addition, purchase parts are not covered under this warranty. We reserve the right to make substitutions with similar merchandise, if the model in question is no longer in production.

Contact the Customer Service Team at 1-855-HD-HAMPTON or visit www.homedepot.ca.

Pre-Assembly

PLANNING ASSEMBLY

Read all instructions before assembly.

To avoid damaging this product, assemble it on a soft, non-abrasive surface such as carpet or cardboard.



NOTE: More than one person may be required to complete the assembly of this product.

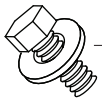


NOTE: For proper stability of the offset umbrella, please place 176 lbs. of weight onto the brackets.

HARDWARE INCLUDED



NOTE: Hardware not shown to actual size.



AA



BB

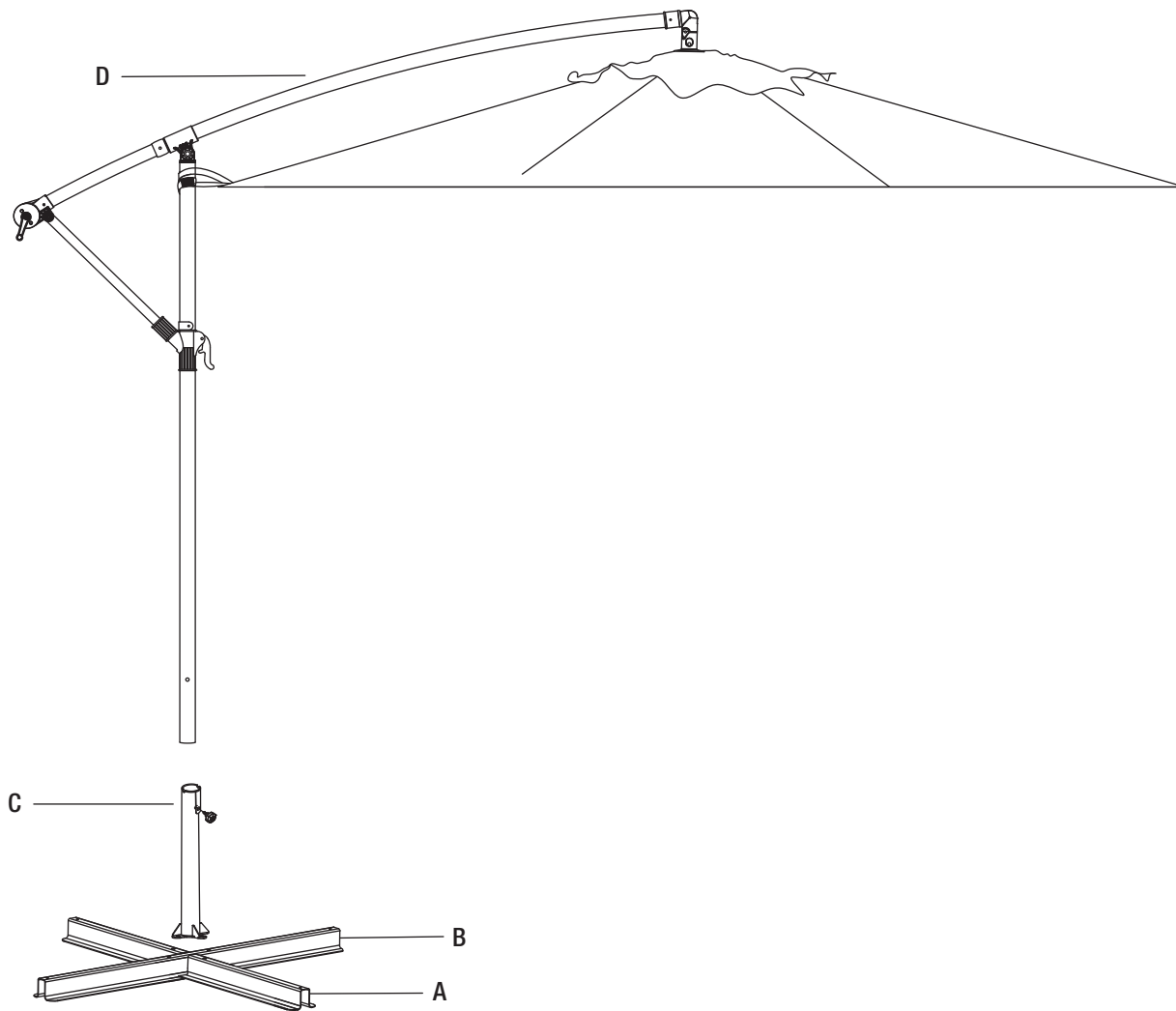


CC

Part	Description	Quantity
AA	M8x20 combination hex bolt	4+1
BB	Wrench	1
CC	Locking knob	1

Pre-Assembly (continued)

PACKAGE CONTENTS



Part	Description	Quantity
A	Lower bracket	1
B	Upper bracket	1
C	Lower umbrella pole	1
D	Umbrella shade	1

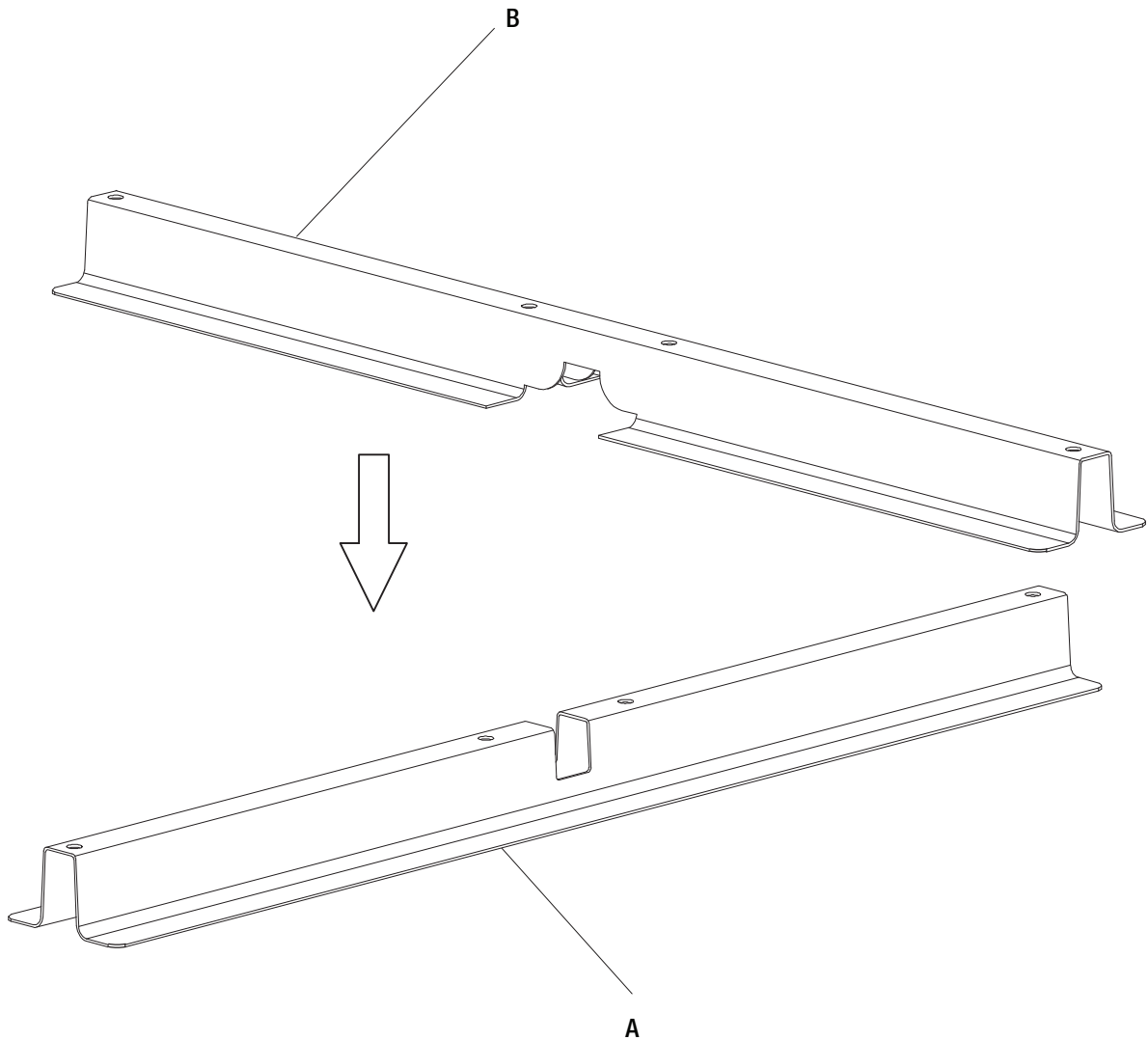
Assembly

1 ATTACHING THE BRACKETS

- Attach the upper bracket (B) onto the lower bracket (A).



NOTE: This umbrella should be set up in its desired location to avoid moving it after assembly.



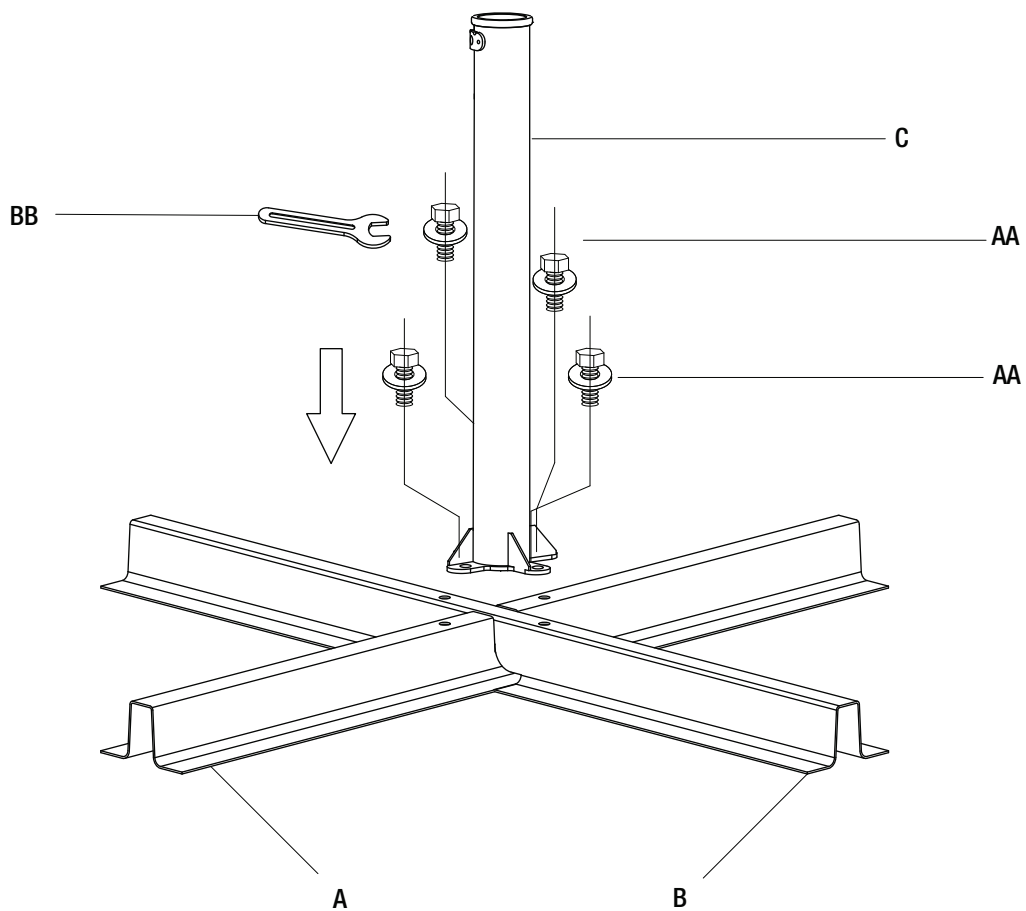
Assembly (continued)

2 ATTACHING THE LOWER UMBRELLA POLE TO THE BRACKETS

- Attach the lower umbrella pole (C) to the upper bracket (B) and lower bracket (A) using M8x20 combination hex bolts (AA).



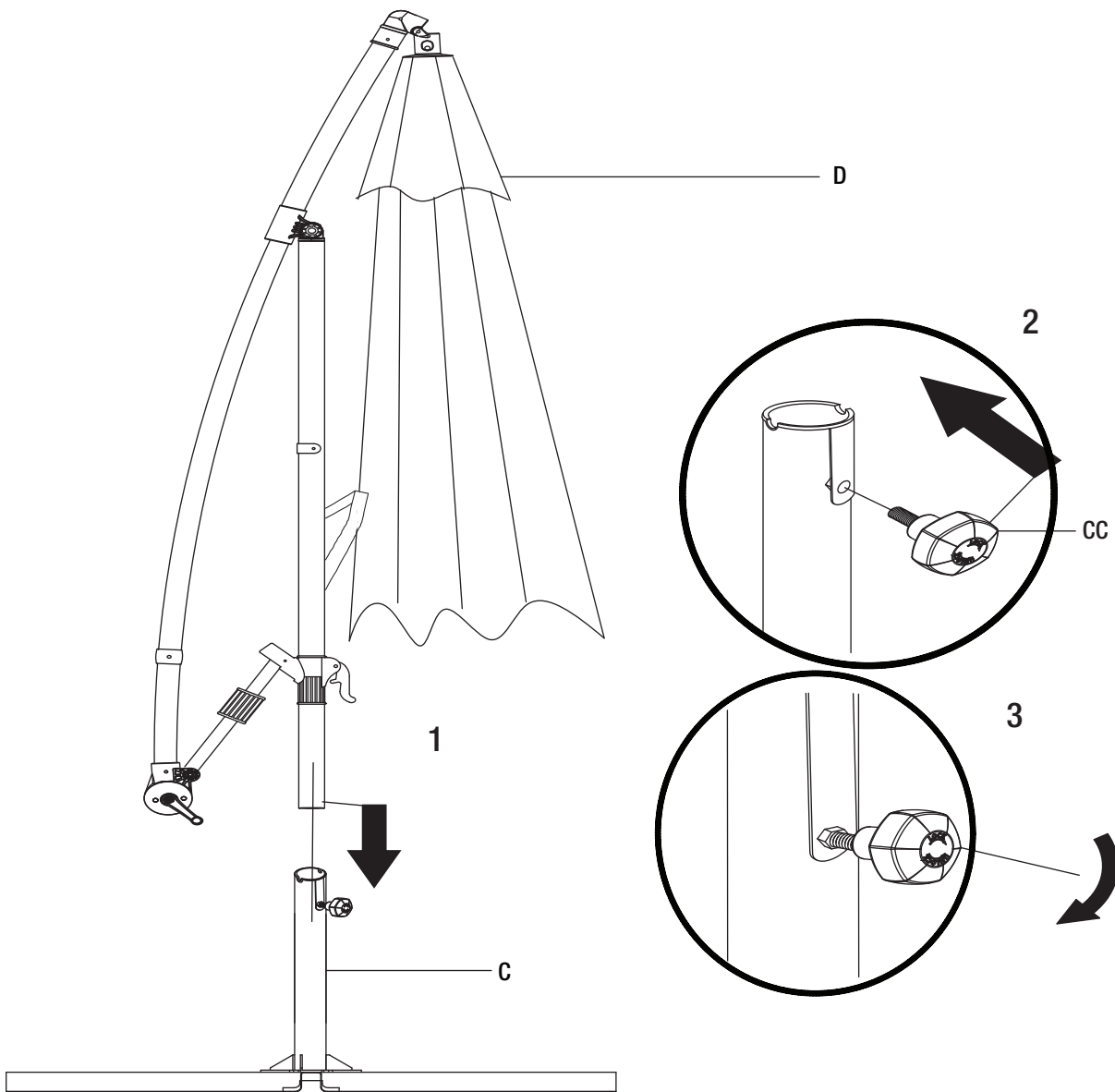
NOTE: Fully tighten all bolts using the wrench (BB).



Assembly (continued)

3 ATTACHING THE UMBRELLA SHADE INTO THE LOWER UMBRELLA POLE

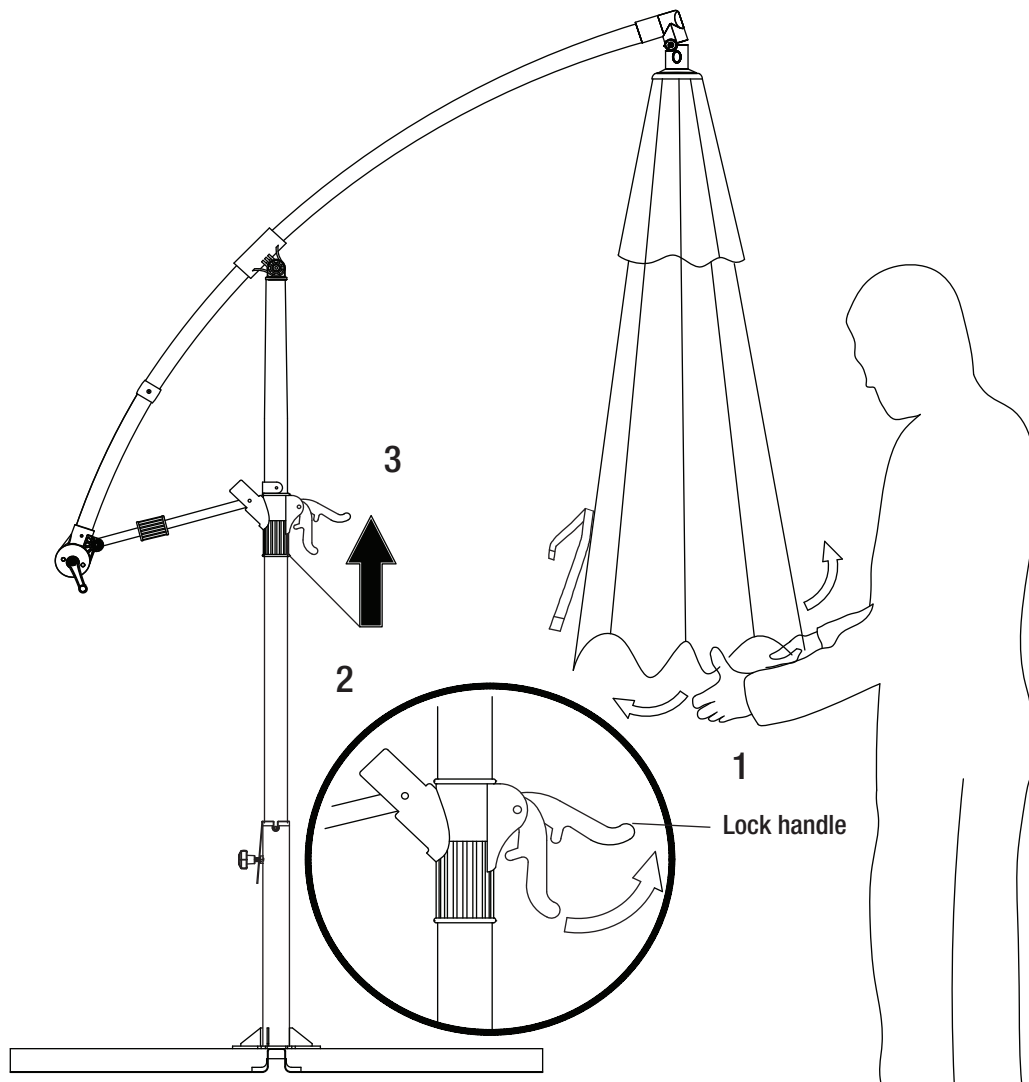
- Insert the umbrella shade (D) into the lower umbrella pole (C).
- Attach the locking knob (CC) to the lower umbrella pole (C) by turning the locking knob (CC) clockwise until fully tightened.



Assembly (continued)

4 RAISING THE UMBRELLA

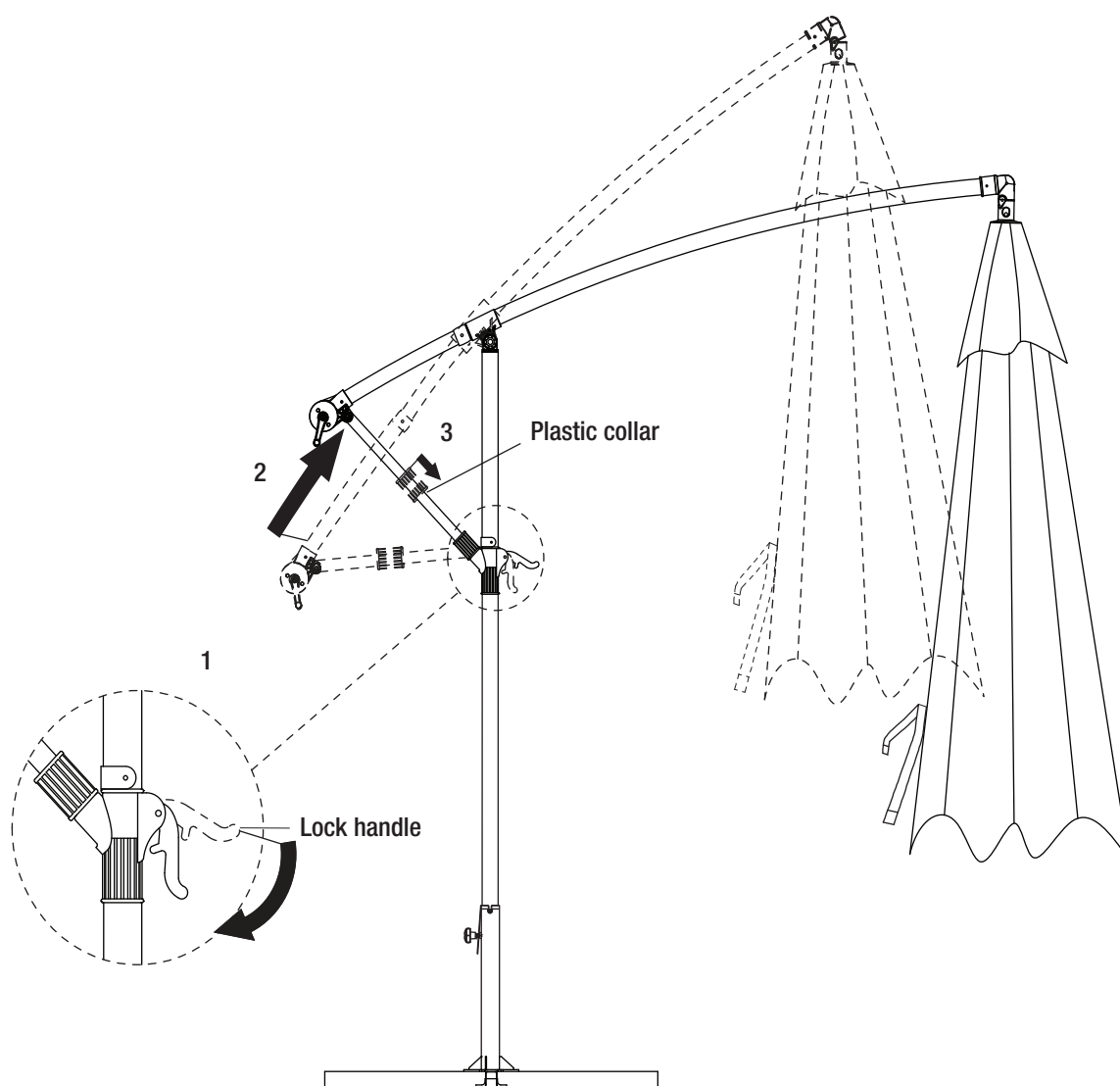
- Shake the canopy to separate the umbrella ribs (1).
- Loosen the lock handle (2).
- Push the lock handle upward (3).



Assembly (continued)

5 RAISING THE UMBRELLA

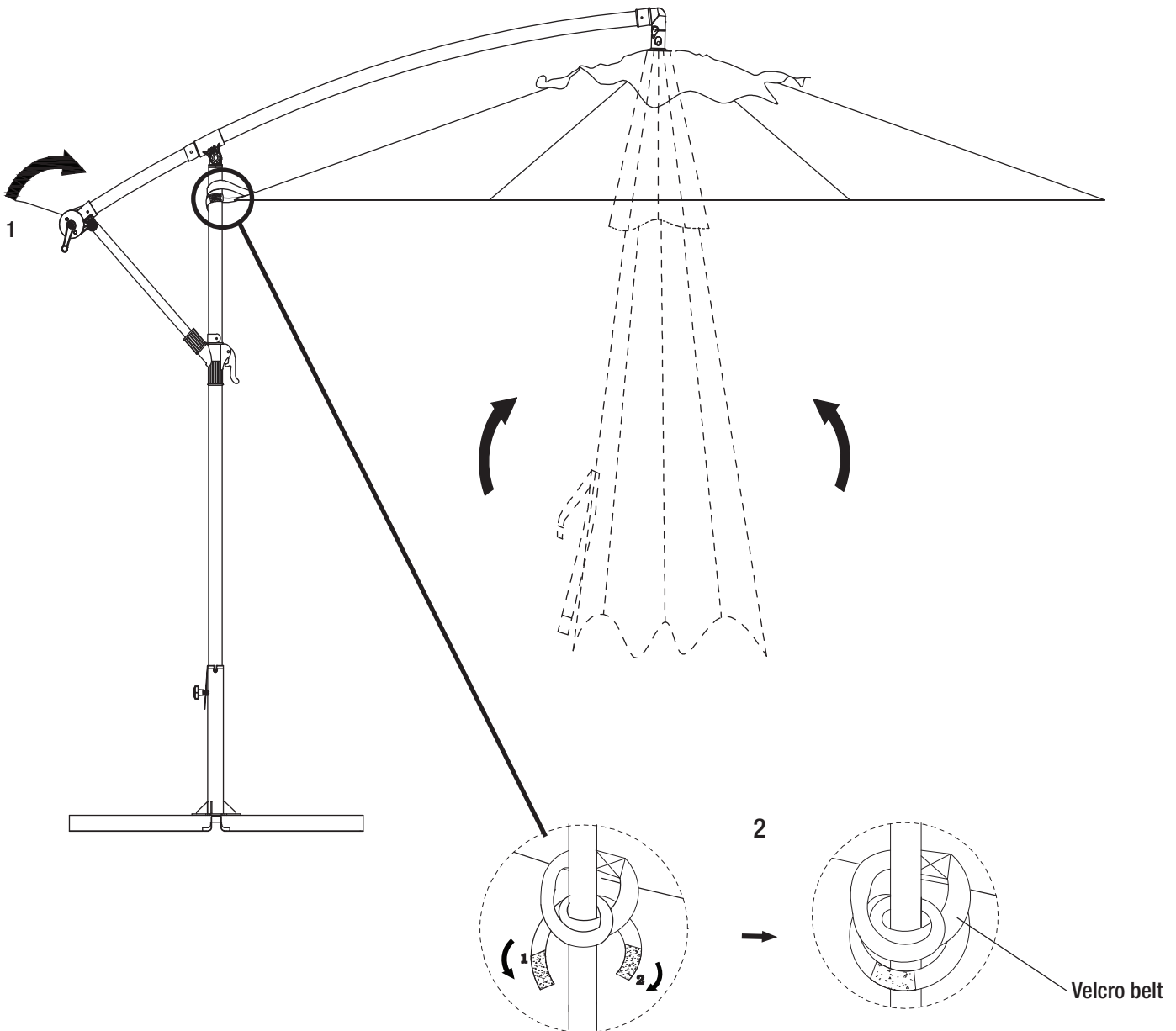
- Tighten the lock handle (1).
- Push the long tube upward (2).
- Pull down the plastic collar to lock the sunshade (3).



Operation

1 OPENING THE UMBRELLA

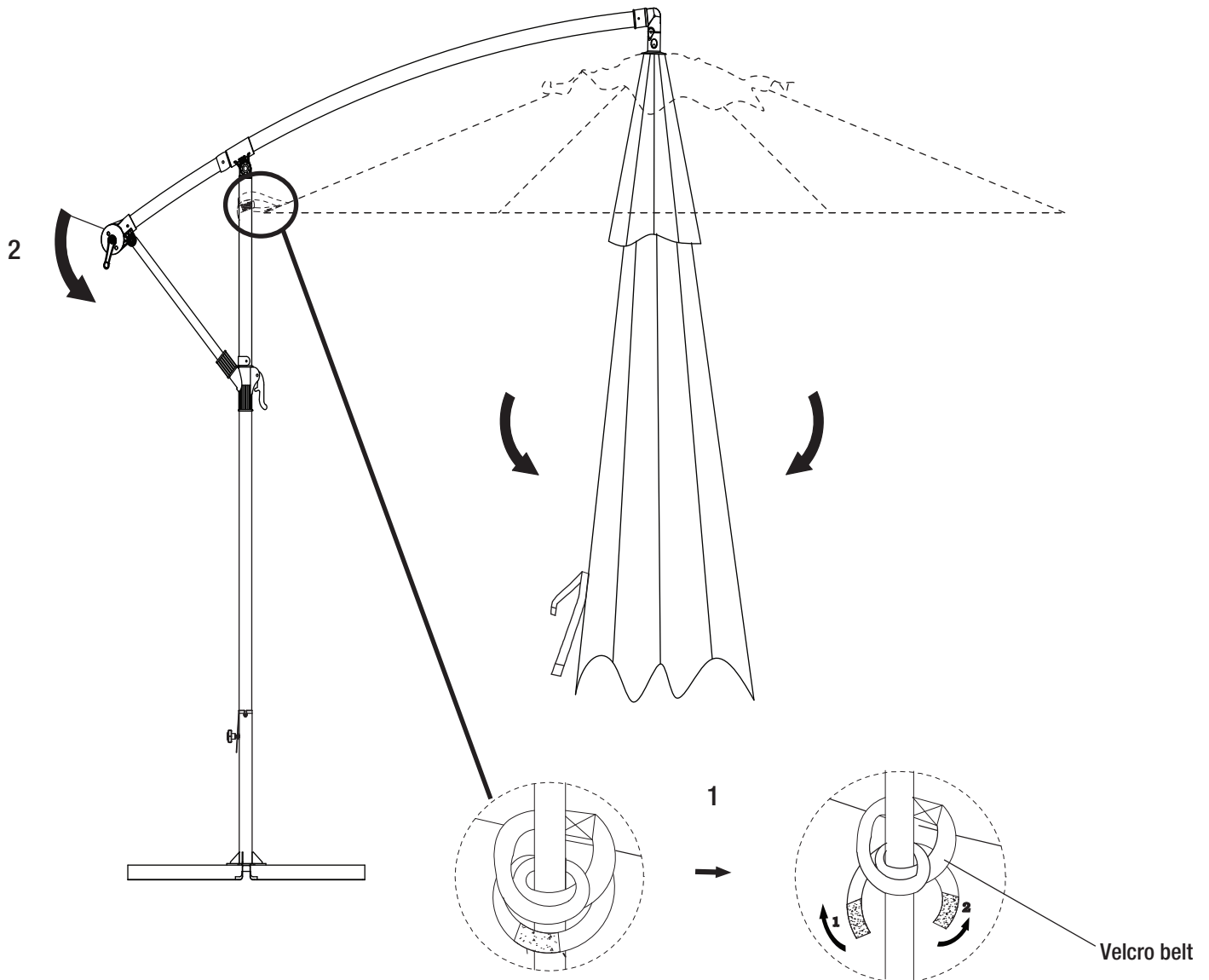
- Slowly turn the crank clockwise to open the umbrella (1).
- When the umbrella is fully open, fasten the velcro belt to stabilize the umbrella. Make sure the velcro belt is tightened (2).



Operation (continued)

2 CLOSING THE UMBRELLA

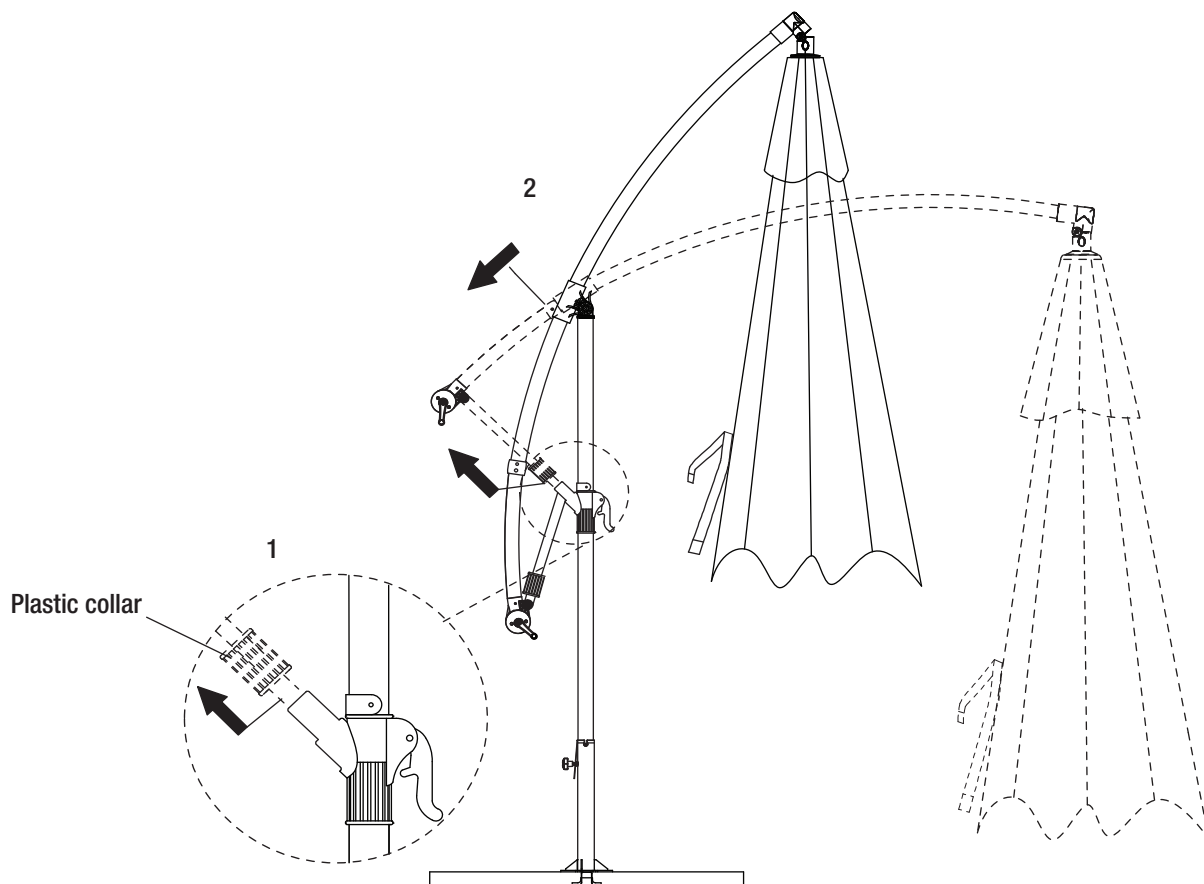
- Loosen the velcro belt (1).
Slowly turn the crank counterclockwise to close the umbrella (2).



Operation (continued)

3 STORING THE UMBRELLA

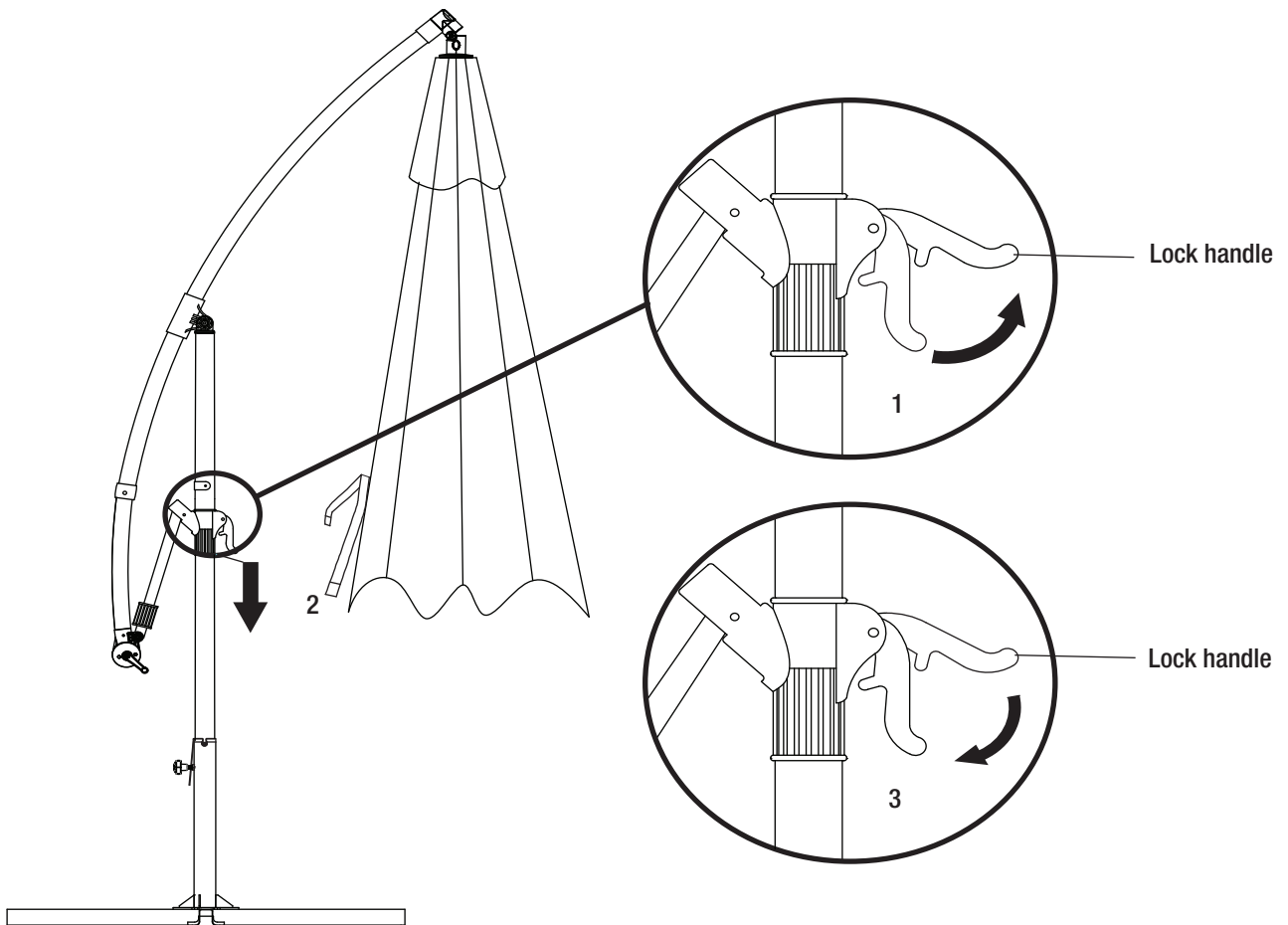
- Pull up the plastic collar to loosen the sunshade (1).
- Pull the long tube downward (2).



Operation (continued)

4 STORING THE UMBRELLA

- Loosen the lock handle (1).
- Pull the lock handle downward (2).
- Tighten the lock handle (3).



Care and Cleaning

- For best results, clean the frame and fabric with a damp cloth, and dry thoroughly. This will help prevent mildew by removing dirt particles that may accumulate.
- Do not clean with abrasive materials, bleach, or solvents.
- Store the umbrella in a dry, sheltered place when not in use.
- Tie the canopy closed on windy days to prevent damage to the umbrella.
- Keep the umbrella away from fire, extreme heat, freezing conditions, and inclement weather such as rain, hail, sleet, snow, or wind.

HAMPTON BAY[®]

Questions, problems, missing parts? Before returning to the store,
call Hampton Bay Customer Service.
8 a.m. - 7 p.m., EST, Monday - Friday, 9 a.m. - 6 p.m., EST, Saturday

1-855-HD-HAMPTON

HOMEDEPOT.CA

Retain this manual for future use.