

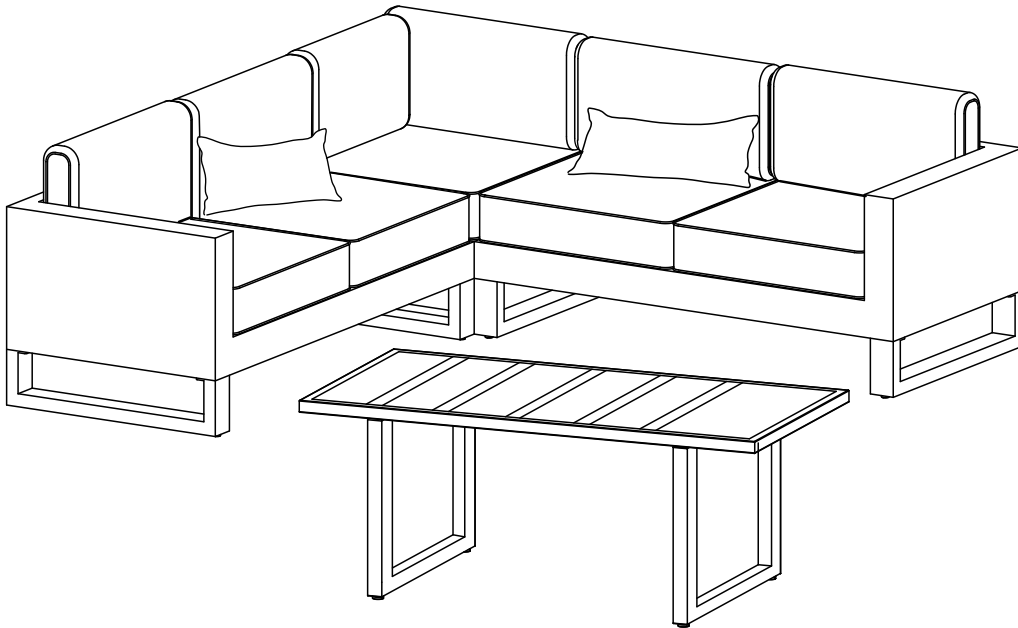
Item # 1001 181 365  
1001 184 716  
Model # FRS80897BL-ST  
FRS80897BL-STN

# HAMPTON BAY<sup>®</sup>

## USE AND CARE GUIDE

---

### PARK HEIGHTS 4-PIECE STEEL SECTIONAL SET



Questions, problems, missing parts? Before returning to the store,  
call Hampton Bay Customer Service  
8 a.m. - 7 p.m., EST, Monday - Friday, 9 a.m. - 6 p.m., EST, Saturday

**1-855-HD-HAMPTON**

**HOMEDEPOT.CA**

---

#### **THANK YOU**

*We appreciate the trust and confidence you have placed in Hampton Bay through the purchase of this sectional. We strive to continually create quality products designed to enhance your home. Visit us online to see our full line of products available for your home improvement needs. Thank you for choosing Hampton Bay!*

# Table of Contents

Table of Contents.....	2	Right Arm Chair Package Contents.....	4
Important Safety Instruction.....	2	Left Arm Chair Package Contents.....	5
Save These Instructions.....	2	Corner Chair Package Contents.....	6
Read All Instructions Before Use.....	2	Table Package Contents.....	7
Warranty.....	3	Right Arm Chair Assembly.....	8
What is Covered.....	3	Left Arm Chair Assembly.....	10
What is Not Covered.....	3	Corner Chair Assembly.....	12
Pre-Assembly.....	3	Table Assembly.....	14
Planning Assembly.....	3	Set Assembly.....	16
Hardware Included.....	3	Care and Cleaning.....	18

## Important Safety Instructions

### SAVE THESE INSTRUCTIONS



**WARNING:** This set was made for the explicit purpose of providing outdoor functions and is not to be used as a toy. This product is intended for normal outdoor use; however, the manufacturer recommends storing and / or covering this set when any formidable / severe weather is approaching.



**WARNING:** Do not locate this product near open flames. Do not use this product as a support. Do not shake, lean or climb on the product. Children under the age of 10, near the product, should be supervised by a competent adult at all times. This product is NOT intended for commercial use and will void the warranty.

### READ ALL INSTRUCTIONS BEFORE USE

To reduce the risk of injury to persons:

1. Close supervision is necessary when this product is used by or near children, or disabled persons, if applicable.
2. Use this furnishing only for its intended use as described in these instructions. Do not use attachments not recommended by the manufacturer.
3. Do not move the chairs while the chairs are occupied. Failure to obey this caution could result in injury.
4. Do not rock in the chair as you may fall and cause serious injury.
5. Please keep children out of the assembly area before assembly.



**WARNING:** Weight limit for the chairs is 250 lbs. (113.39 kg) for each seat.



**WARNING:** This sectional set unit is heavy, and may require two adults for safe assembly.



**WARNING:** Do not place heavy objects on the table top.



**WARNING:** Do not place heavy objects on the chair.



**CAUTION:** Do not locate the product near any heat source.



**CAUTION:** When not in use, secure the product in a cool and covered location.

# Warranty

## 2 YEAR FRAME AND 2 YEAR FABRIC WARRANTY

### WHAT IS COVERED

We warrant the frame to be free of manufacturing defects to the original purchaser for two years, and a two year limited warranty for fabric.

### WHAT IS NOT COVERED

It remains the customer's responsibility for freight and packaging charges to and from our service center. This warranty does not cover commercial use, hardware, acts of nature, fire, freezing and abusive use. In addition, purchased parts are not covered under this warranty. We reserve the right to make substitutions with similar merchandise, if the model in question is no longer in production.

Contact the Customer Service Team at 1-855-HD-HAMPTON or visit [www.Homedepot.ca](http://www.Homedepot.ca).

# Pre-Assembly

## PLANNING ASSEMBLY

Read all instructions before assembly.

To avoid damaging this product, assemble it on a soft, non-abrasive surface such as carpet or cardboard.



**NOTE:** More than one person may be required to assemble this product.

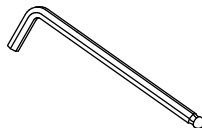
## HARDWARE INCLUDED



**NOTE:** Hardware not shown to actual size.



AA



BB

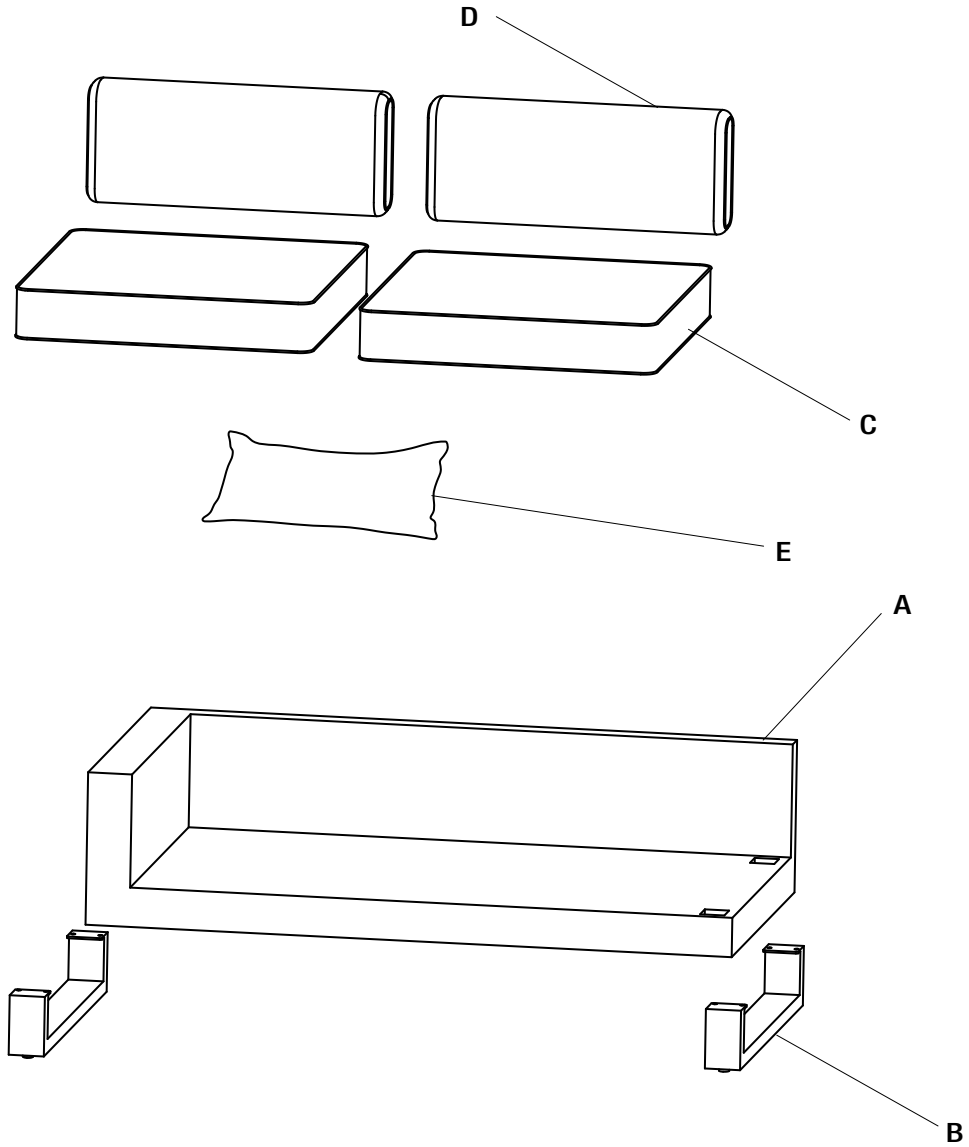


O

Part	Description	Quantity
AA	M6x20 combination bolt	32+3
BB	Hex wrench	3
O	Metal clip	4

# Pre-Assembly (continued)

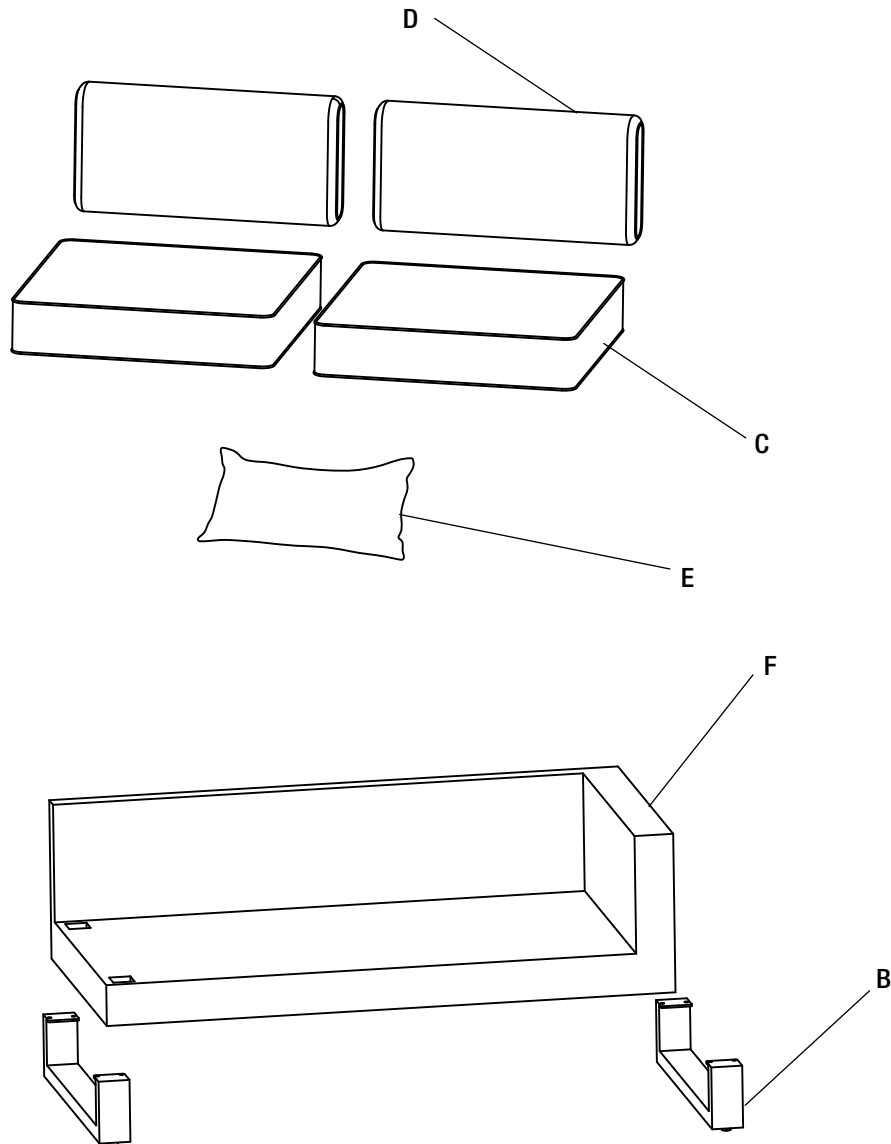
## RIGHT ARM CHAIR PACKAGE CONTENTS



Part	Description	Quantity
A	Right arm chair	1
B	Leg	2
C	Seat cushion	2
D	Back Cushion	2
E	Pillow	1

# Pre-Assembly (continued)

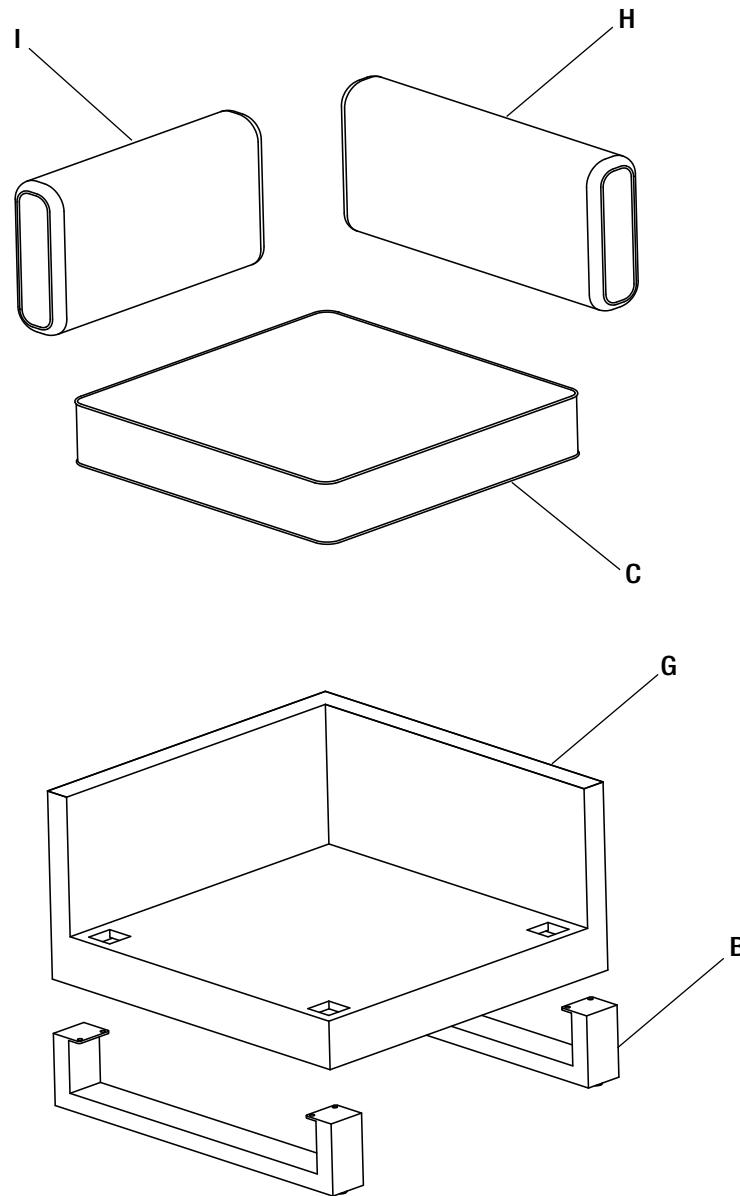
## LEFT ARM CHAIR PACKAGE CONTENTS



Part	Description	Quantity
B	Leg	2
C	Seat cushion	2
D	Back Cushion	2
E	Pillow	1
F	Left arm chair	1

# Pre-Assembly (continued)

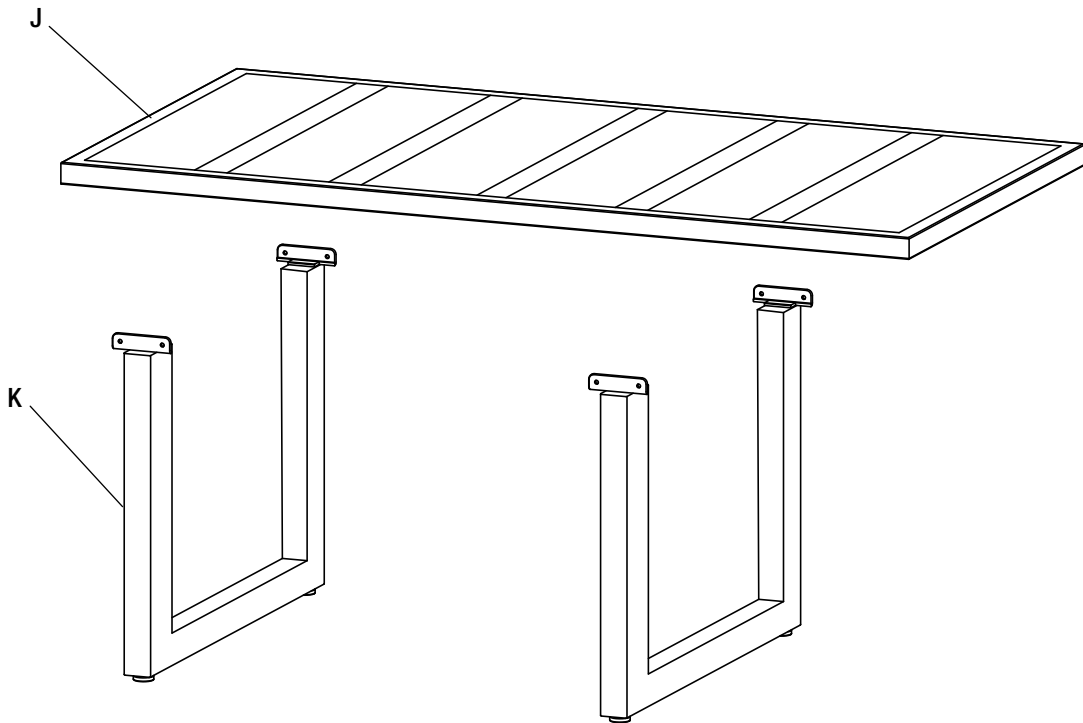
## CORNER CHAIR PACKAGE CONTENTS



Part	Description	Quantity
B	Leg	2
C	Seat cushion	1
G	Corner chair	1
H	Longer back cushion	1
I	Shorter back cushion	1

# Pre-Assembly (continued)

## TABLE PACKAGE CONTENTS

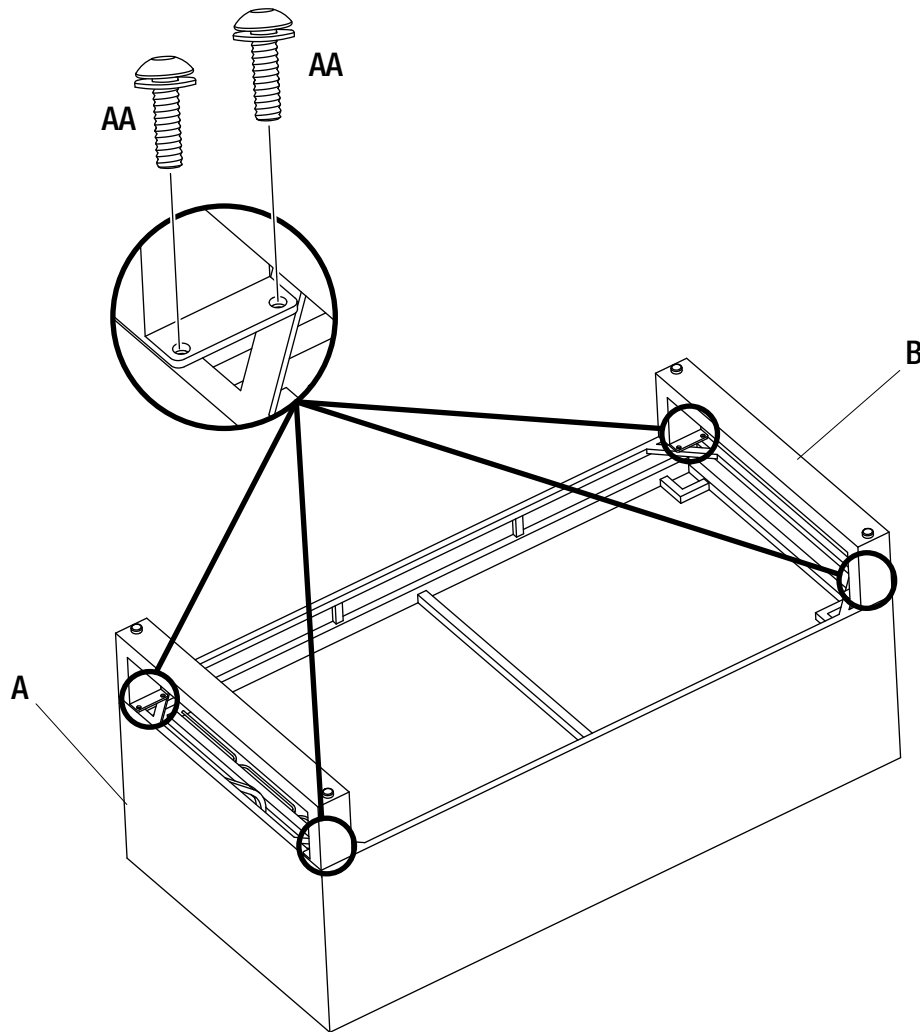


Part	Description	Quantity
J	Table top	1
K	Table leg	2

# Right Arm Chair Assembly

## 1 Attaching the legs to the right arm chair

- Place the right arm chair (A) upside down on a soft surface.
- Attach the legs (B) to the right arm chair (A) using M6x20 combination bolts (AA).
- Fully tighten all the bolts at this step.

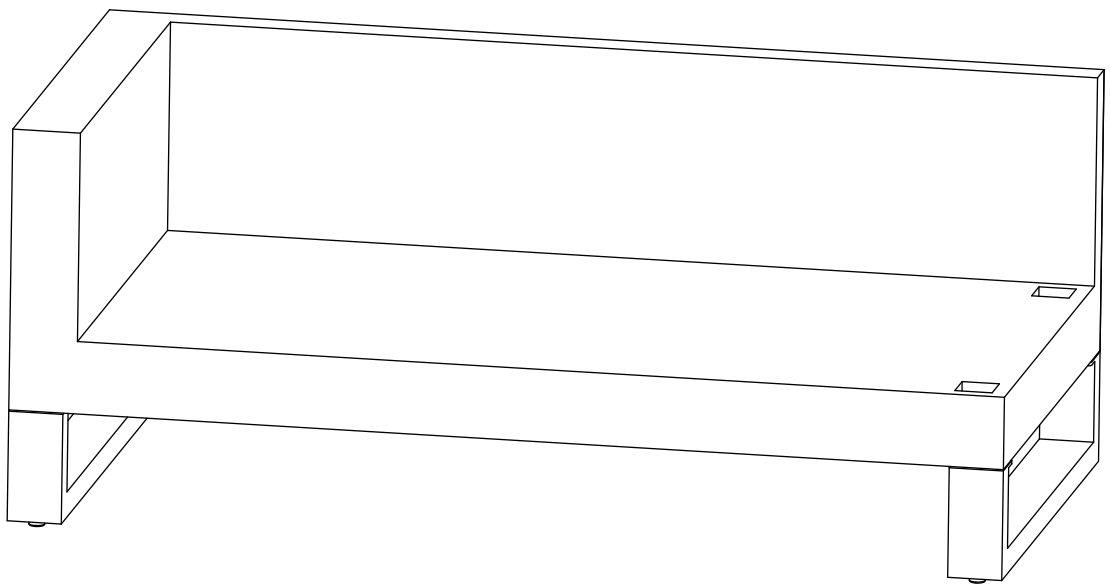




## Right Arm Chair Assembly (continued)

### 2 Checking the chair

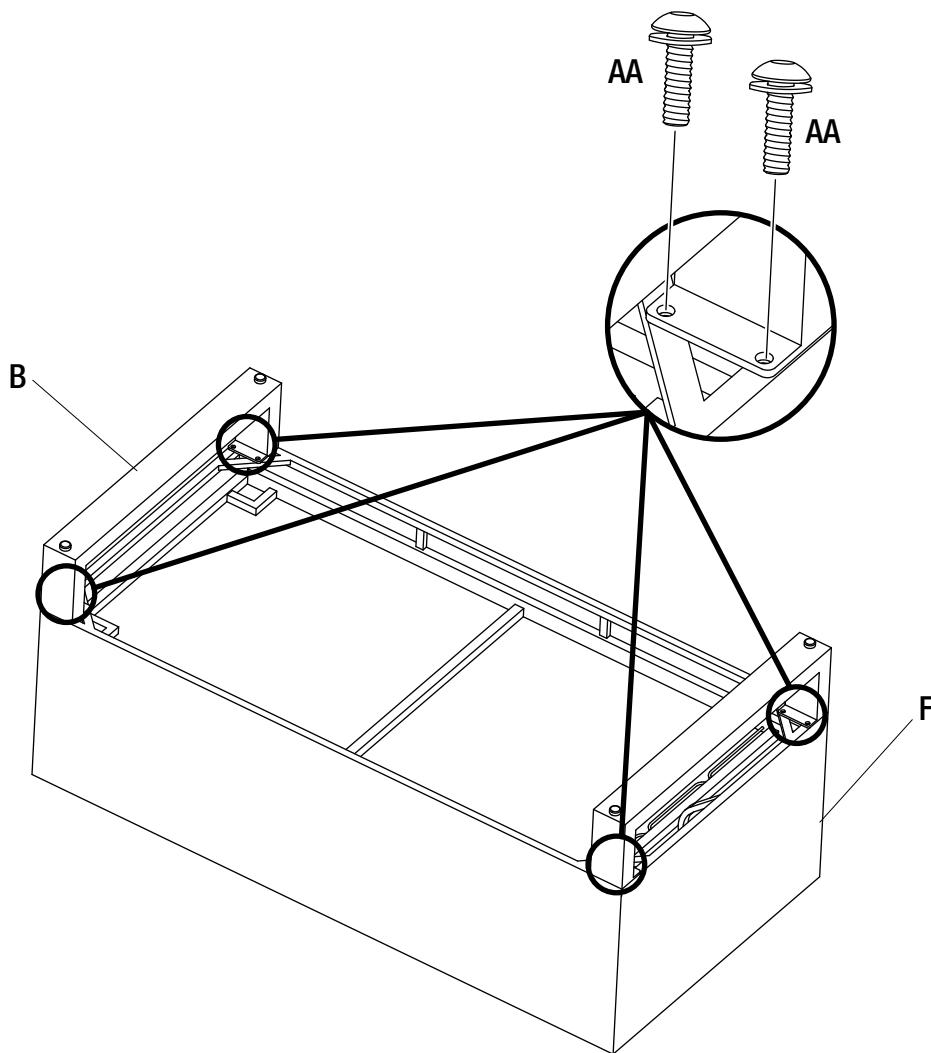
- Turn the chair right side up.
- Ensure all connections are secure before use.



# Left Arm Chair Assembly

## 1 Attaching the legs to the left arm chair

- Place the left arm chair (F) upside down on a soft surface.
- Attach the legs (B) to the left arm chair (F) using M6x20 combination bolts (AA).
- Fully tighten all the bolts at this step.



## Left Arm Chair Assembly (continued)

### 2 Checking the chair

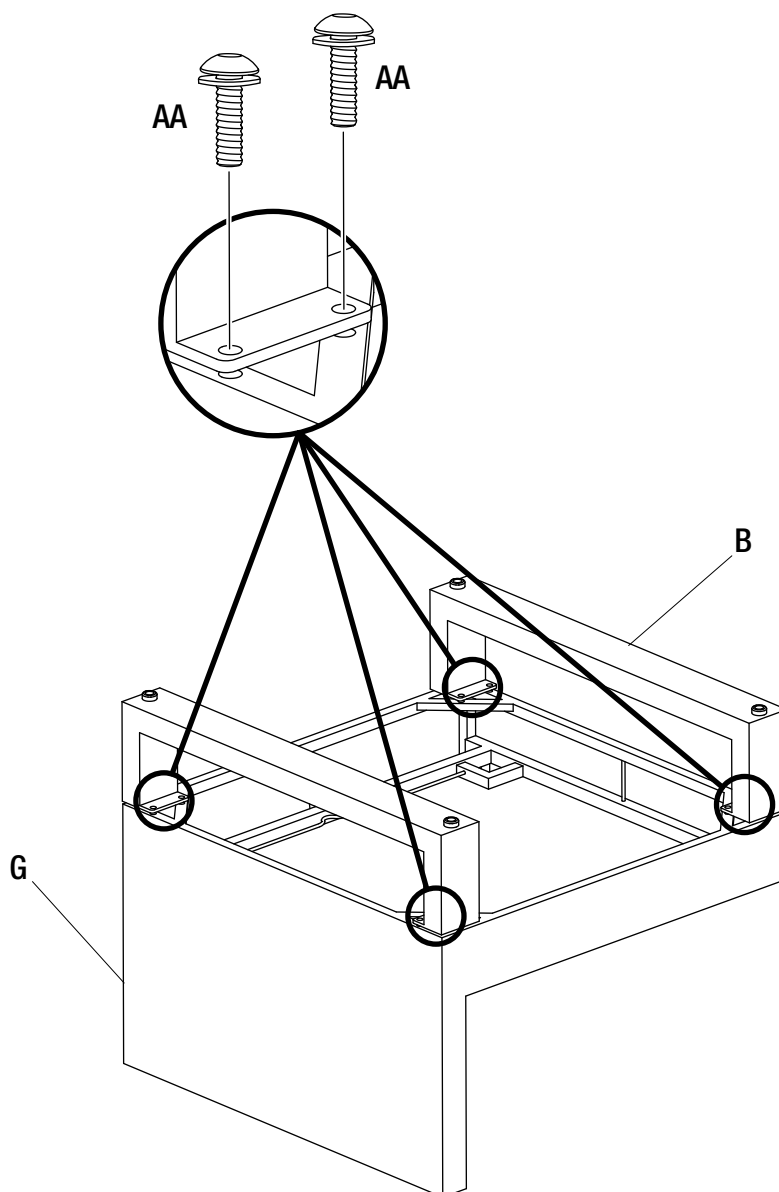
- Turn the chair right side up.
- Ensure all connections are secure before use.



# Corner Chair Assembly

## 1 Attaching the legs to the corner chair

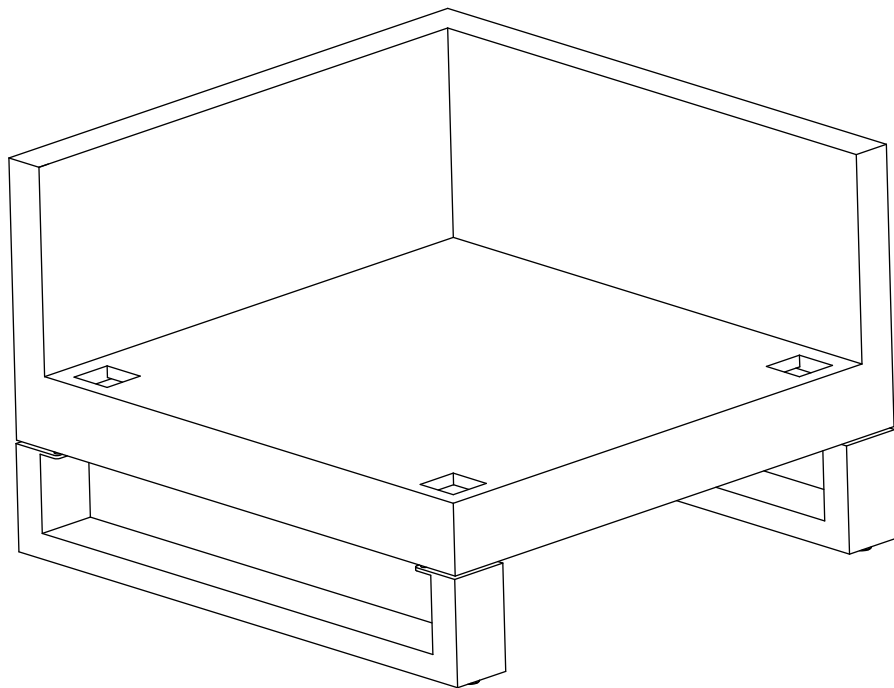
- Place the corner chair (G) upside down on a soft surface.
- Attach the legs (B) to the corner chair (G) using M6x20 combination bolts (AA).
- Fully tighten all the bolts at this step.



## Corner Chair Assembly (continued)

### 2 Checking the chair

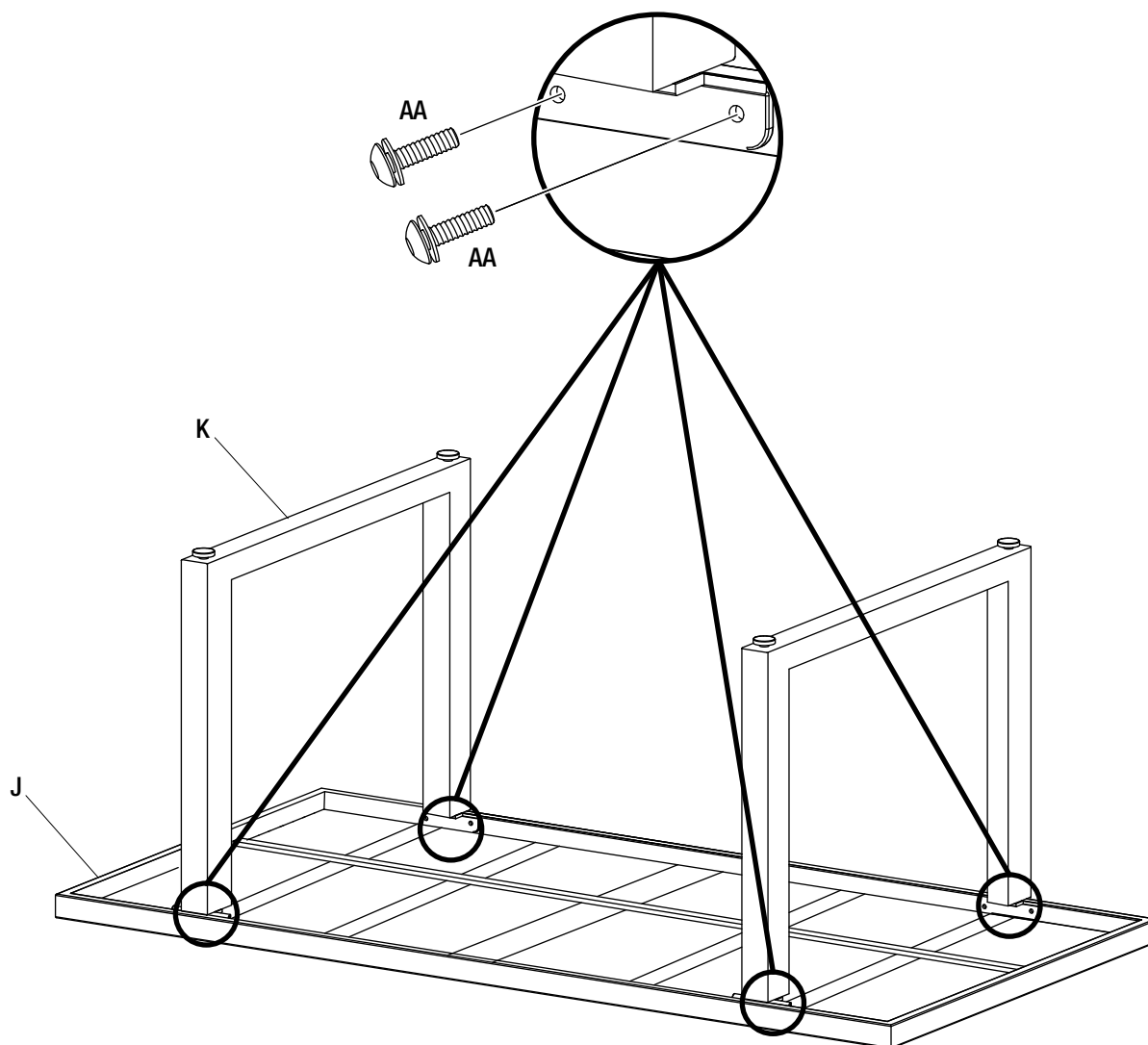
- Turn the chair right side up.
- Ensure all connections are secure before use.



# Table Assembly

## 1 Attaching the table legs to the table top

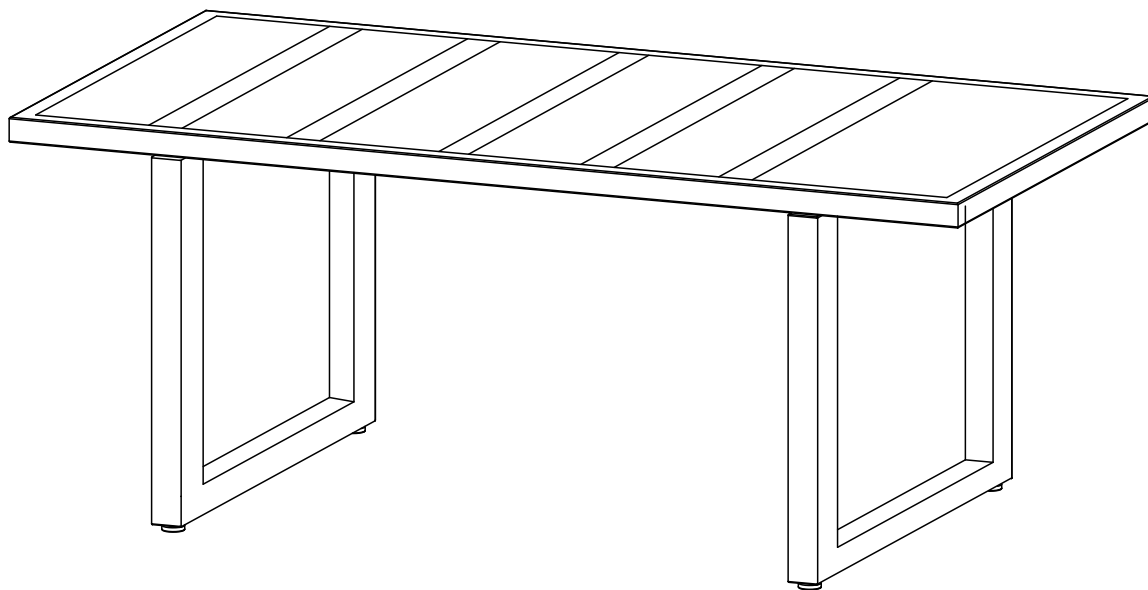
- Place the table top (J) upside down on a soft surface.
- Attach the table legs (K) to the table top (J) using M6x20 combination bolts (AA).
- Fully tighten all the bolts at this step.



## Table Assembly (continued)

### 2 Checking the table

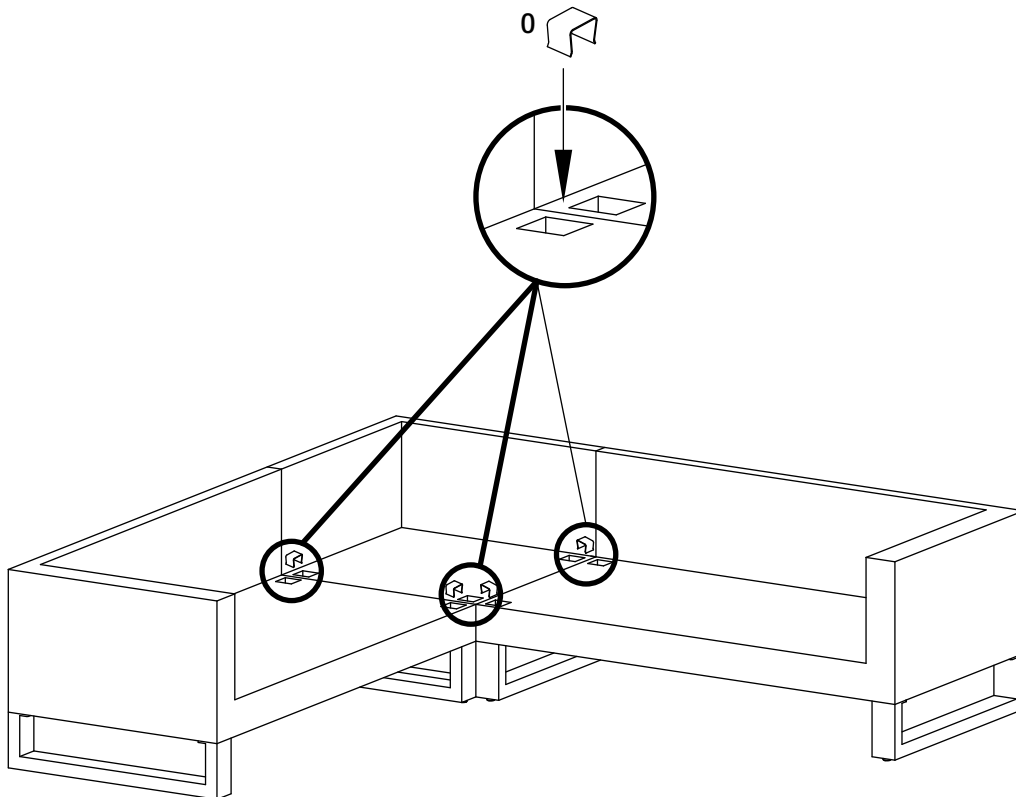
- Turn the table right side up.
- Ensure all connections are secure before use.



# Set Assembly

## 1 Attaching the right arm chair, the left arm chair to the corner chair

- Attach the assembled right arm chair and left arm chair to the assembled corner chair using metal clips (0).

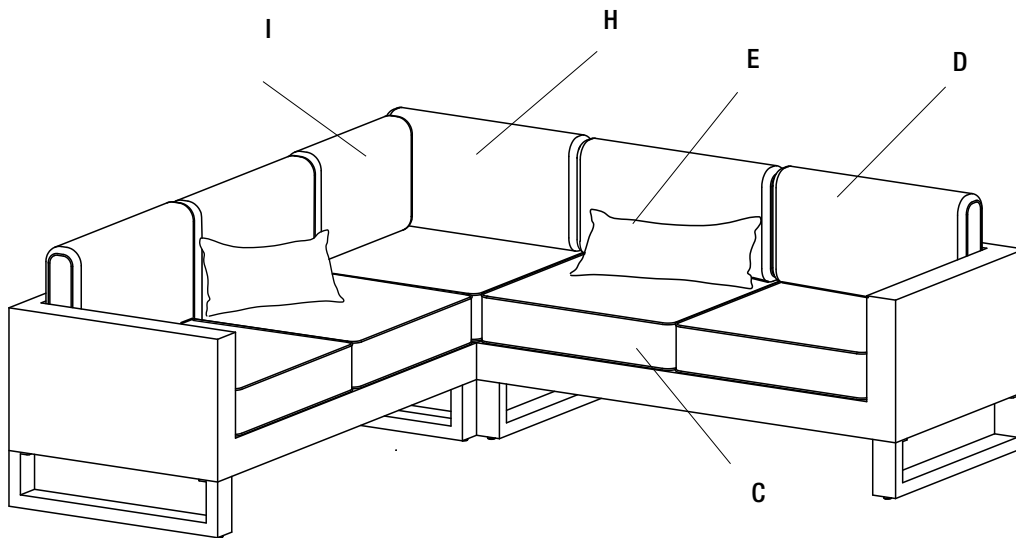




## Set Assembly (continued)

### 2 Placing the cushions and the pillows

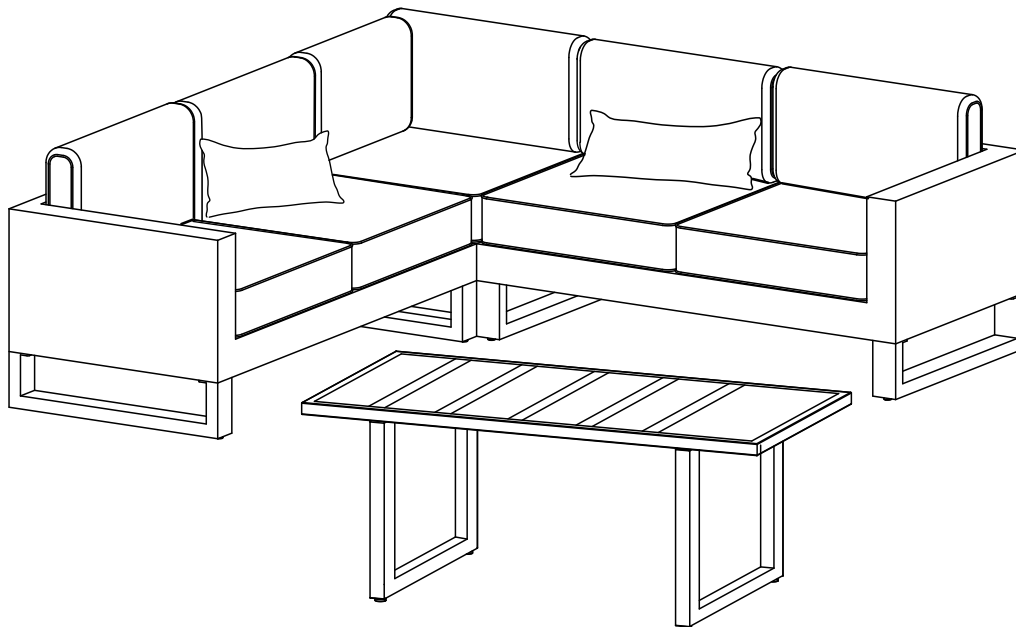
- Place the seat cushions (C), the back cushions (D), the pillows (E), the longer back cushion (H) and the shorter back cushion (I).



## Set Assembly (continued)

### 3 Placing the table

- Place the table in front of the assembled chairs to finish the assembly of the set.
- Ensure all connections are secure before use.



## Care and Cleaning

- For best results, clean the frame and cushions with a damp cloth and dry thoroughly. This will help prevent mildew by removing dirt particles that may accumulate.
- Do not clean with abrasive materials, bleach, or solvents.
- Store the table and chairs in a dry sheltered place when not in use.
- Keep the table and chairs away from extreme heat, freezing conditions, and inclement weather such as rain, hail, sleet, snow and wind.

# HAMPTON BAY<sup>®</sup>

Questions, problems, missing parts? Before returning to the store,  
call Hampton Bay Customer Service  
8 a.m. - 7 p.m., EST, Monday - Friday, 9 a.m. - 6 p.m., EST, Saturday

**1-855-HD-HAMPTON**

**HOMEDEPOT.CA**

Retain this manual for future use.

For certification use only
Factory chair ID # FRS80897BL-ST Factory table ID # FTS01435D