

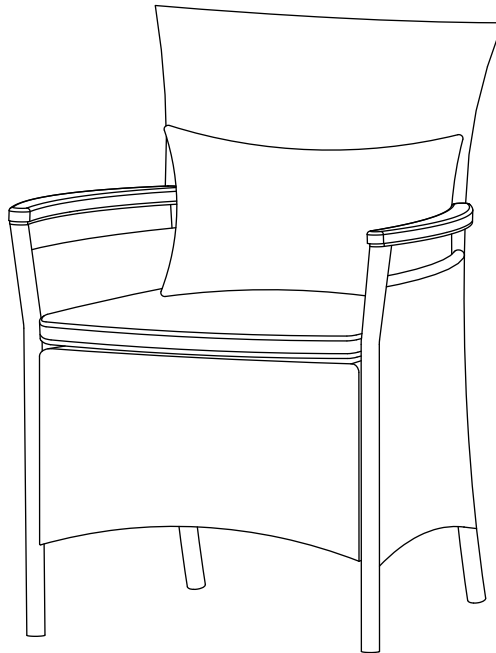
Item # 1001 184 089  
Model # FRS50421U-2PK

# HAMPTON BAY<sup>®</sup>

## USE AND CARE GUIDE

---

### FRANKLIN ESTATES 2 PACK WICKER DINING CHAIR



Questions, problems, missing parts? Before returning to the store,  
call Hampton Bay Customer Service.  
8 a.m. - 7 p.m., EST, Monday - Friday, 9 a.m. - 6 p.m., EST, Saturday

**1-855-HD-HAMPTON**

**HOMEDEPOT.CA**

---

#### **THANK YOU**

*We appreciate the trust and confidence you have placed in Hampton Bay through the purchase of this chair. We strive to continually create quality products designed to enhance your home. Visit us online to see our full line of products available for your home improvement needs. Thank you for choosing Hampton Bay!*

# Table of Contents

Table of Contents.....	2	Pre-Assembly .....	3
Important Safety Instructions .....	2	Planning Assembly .....	3
Save These Instructions .....	2	Hardware Included .....	3
Read All Instructions Before Use .....	2	Package Contents.....	4
Warranty .....	3	Assembly.....	5
What is Covered .....	3	Care and Cleaning.....	10
What is Not Covered .....	3		

## Important Safety Instructions

### SAVE THESE INSTRUCTIONS



**WARNING:** This dining chair was made for the explicit purpose of providing outdoor functions and is not to be used as a toy. This product is intended for normal outdoor use; however, the manufacturer recommends storing and / or covering this chair when any formidable / severe weather is approaching.



**WARNING:** Do not locate this product near open flames. Do not use this product as a support. Do not shake, lean or climb on the product. Children under the age of 10, near the product, should be supervised by a competent adult at all times. This product is NOT intended for commercial use and will void the warranty.

### READ ALL INSTRUCTIONS BEFORE USE

To reduce the risk of injury to persons:

1. Close supervision is necessary when this product is used by or near children, or disabled persons, if applicable.
2. Use this product only for its intended use as described in these instructions. Do not use attachments not recommended by the manufacturer.
3. Do not move the chairs while the chairs are occupied. Failure to obey this caution could result in injury.
4. Do not rock in the chair as you may fall and cause serious injury.
5. Please keep children out of the assembly area before assembly.



**WARNING:** Weight limit for the chairs is 250 lbs (113.39 kg) for each seat.



**WARNING:** This dining chair unit is heavy, and may require two adults for safe assembly.



**CAUTION:** Do not locate the product near any heat source.



**CAUTION:** Do not place heavy objects on the chair.

# Warranty

## 2 YEAR FRAME AND 2 YEAR FABRIC LIMITED WARRANTY

### WHAT IS COVERED

We warrant the frames to be free of manufacturing defects to the original purchaser for two years, and a two year limited warranty for the fabric.

### WHAT IS NOT COVERED

It remains the customer's responsibility for freight and packaging charges to and from our service center. This warranty does not cover commercial use, hardware, acts of nature, fire, freezing and abusive use. In addition, purchased parts are not covered under this warranty. We reserve the right to make substitutions with similar merchandise, if the model in question is no longer in production.

Contact the Customer Service Team at 1-855-HD-HAMPTON or visit [www.Homedepot.ca](http://www.Homedepot.ca).

# Pre-Assembly

## PLANNING ASSEMBLY

Read all instructions before assembly.

To avoid damaging this product, assemble it on a soft, non-abrasive surface such as carpet or cardboard.



**NOTE:** More than one person may be required to assemble this product.

## HARDWARE INCLUDED



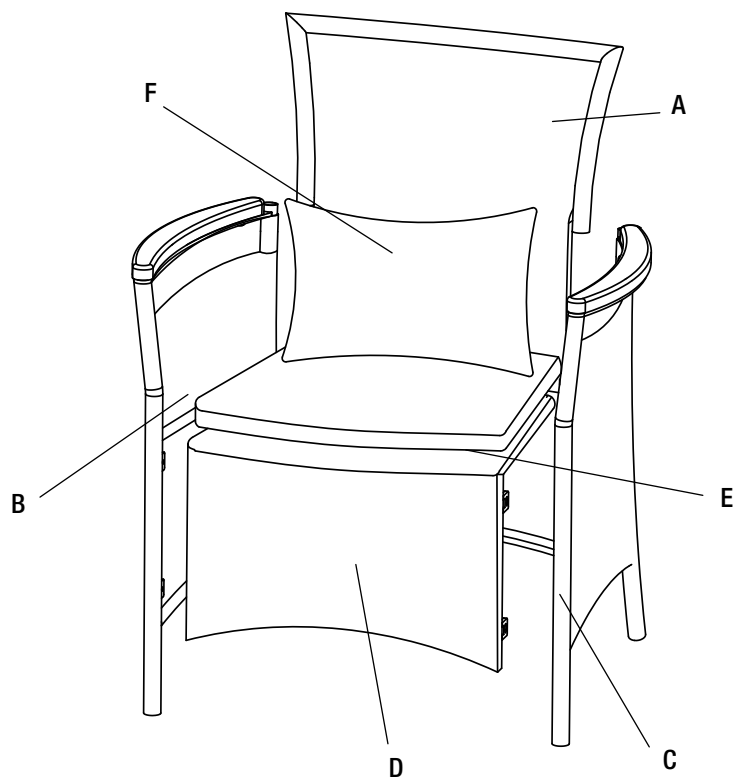
**NOTE:** Hardware not shown to actual size.



Part	Description	Quantity
AA	M6x30 combination bolt	4+1
BB	M6x25 combination bolt	16+1
CC	Hex wrench	1

# Pre-Assembly (continued)

## PACKAGE CONTENTS



Part	Description	Quantity
A	Backrest	2
B	Right arm	2
C	Left arm	2
D	Seat	2
E	Seat cushion	2
F	Lumbar pillow	2

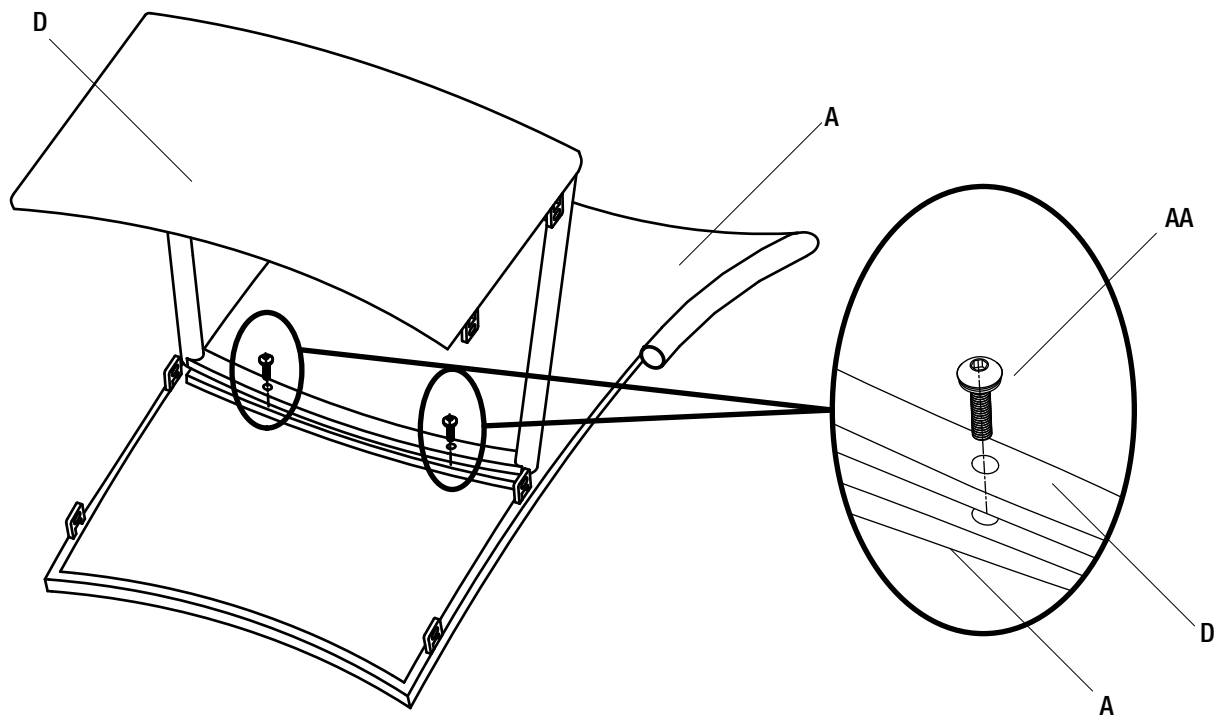
# Assembly

## 1 Connecting the seat to the backrest

- Place the backrest (A) on a soft surface.
- Connect the seat (D) to the backrest (A) using M6x30 combination bolts (AA).
- Do not fully tighten all the bolts at this step.



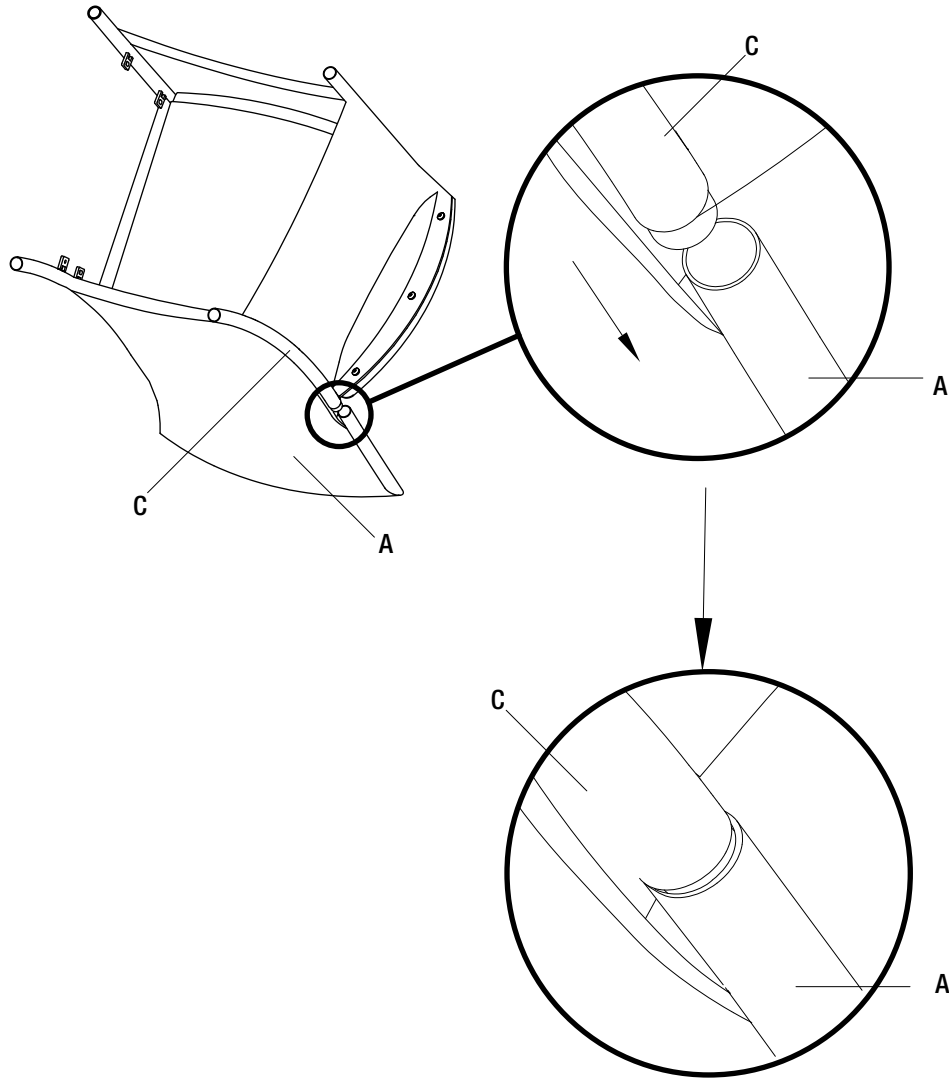
**NOTE:** Loosely tighten all the bolts using the hex wrench (CC).



## Assembly (continued)

### 2 Connecting the left arm to the backrest

- Attach the left arm (C) to the backrest (A) by inserting the tube on the left arm (C) into the tube on the backrest (A).



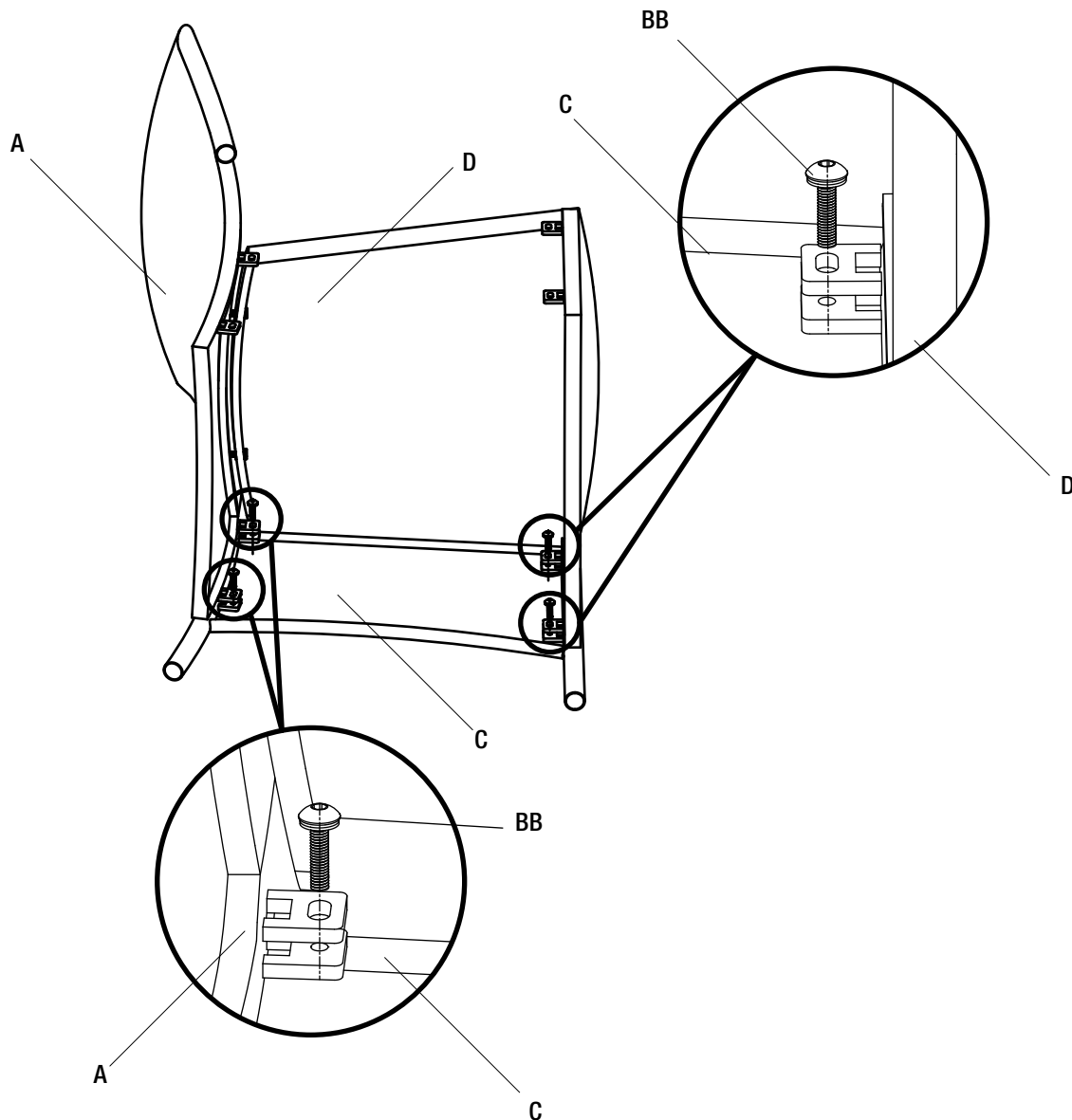
## Assembly (continued)

### 3 Connecting the left arm to the seat and the backrest

- Turn over the chair as the image shows and attach the left arm (C) to the seat (D) and the backrest (A) using M6x25 combination bolts (BB).
- Do not fully tighten all the bolts at this step.



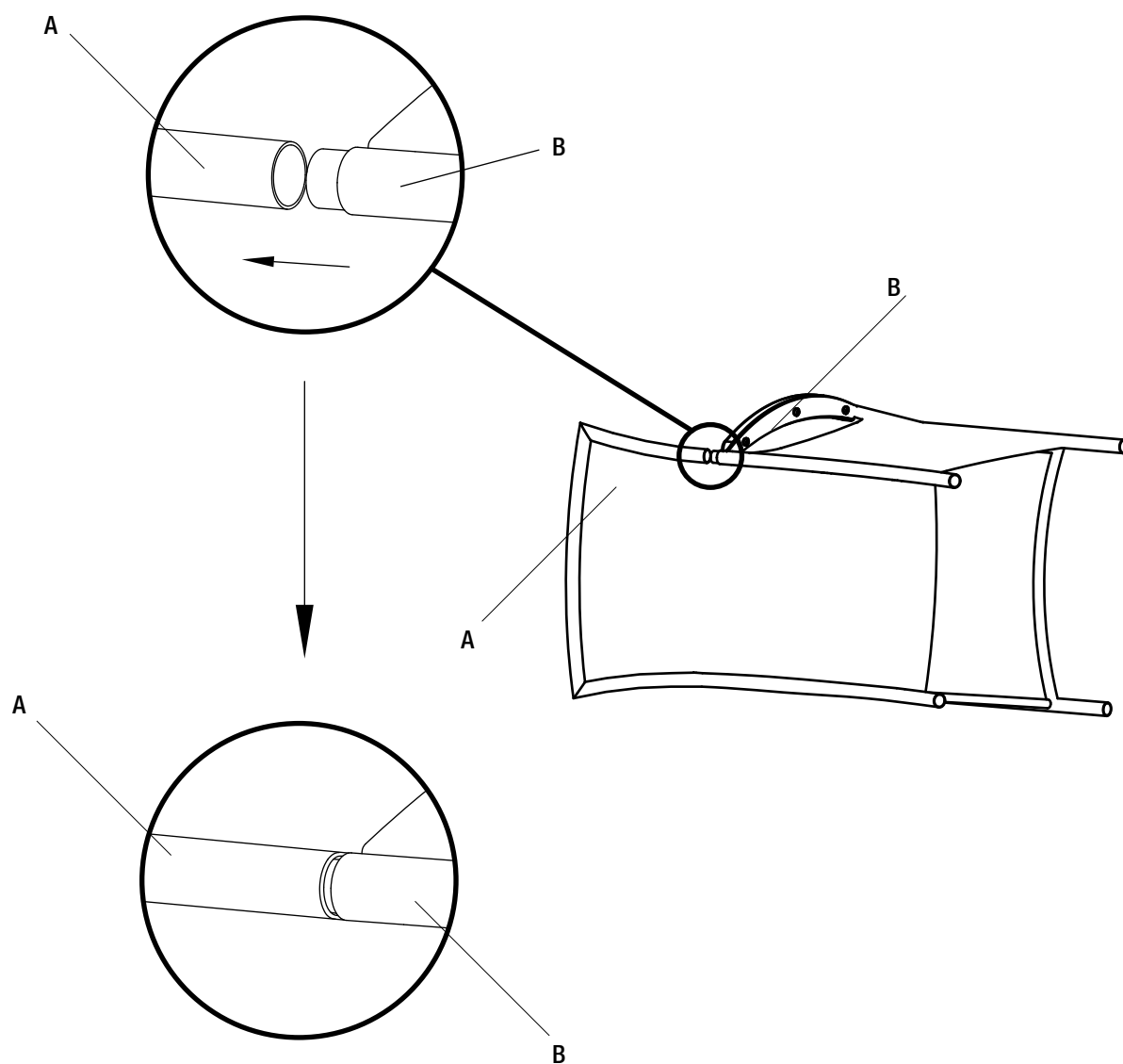
**NOTE:** Loosely tighten all the bolts using the hex wrench (CC).  
To assemble easily, adjust the chair slightly.



## Assembly (continued)

### 4 Connecting the right arm to the backrest

- Repeat step 2 to attach the right arm (B) to the backrest (A).





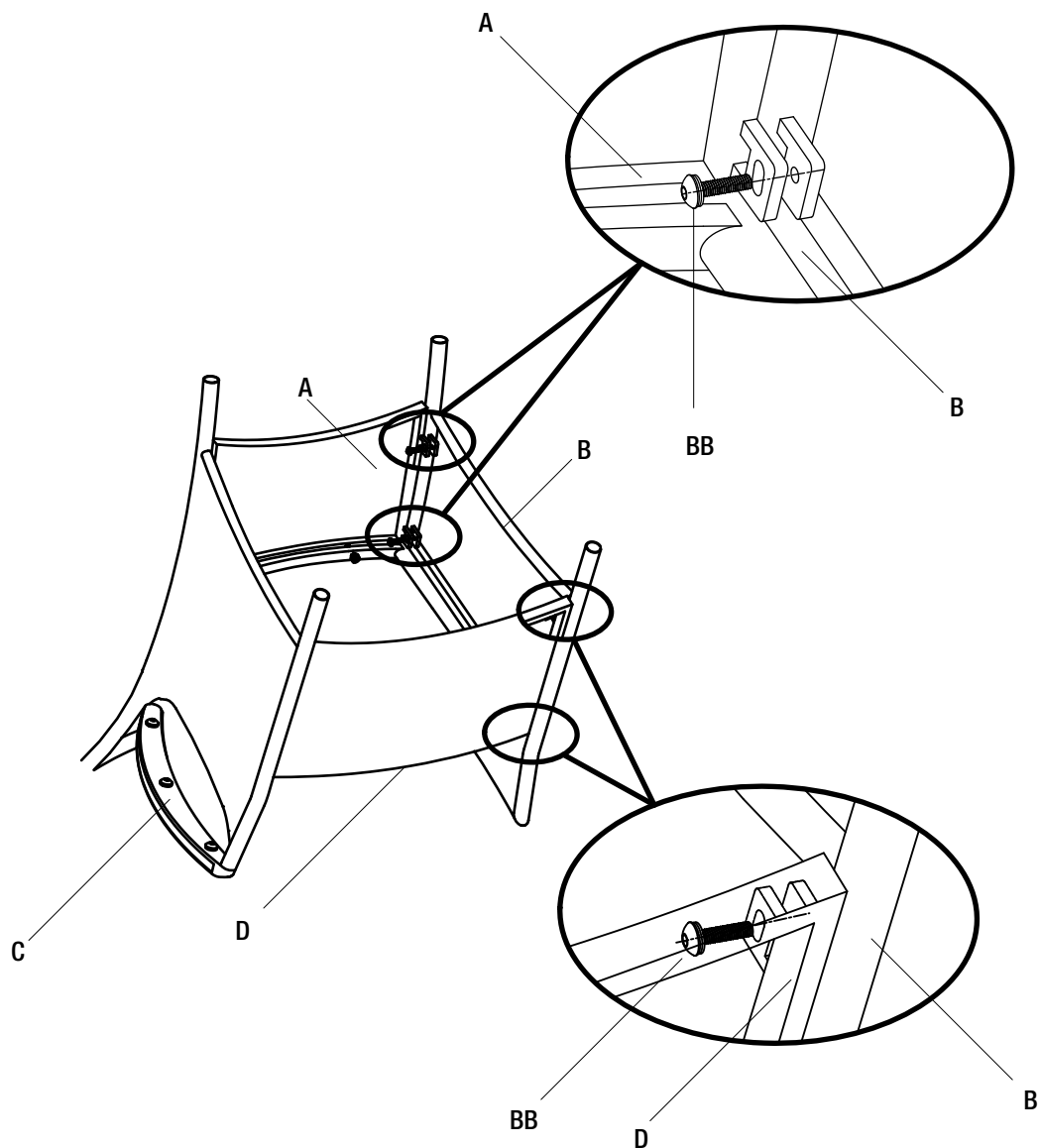
## Assembly (continued)

### 5 Connecting the right arm to the seat and the backrest

- Turn the chair upside down. Repeat step 3 to attach the right arm (B) to the seat (D) and the backrest (A) using M6x25 combination bolts (BB).
- Do not fully tighten all the bolts at this step.



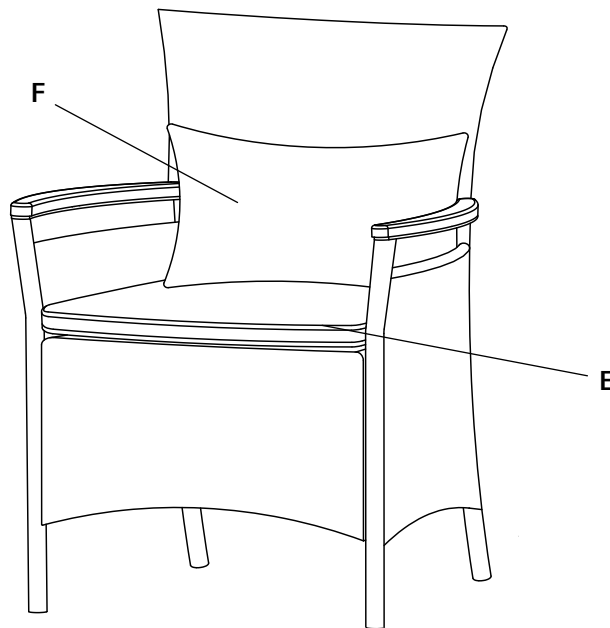
**NOTE:** Loosely tighten all the bolts using the hex wrench (CC). To assemble easily, adjust the chair slightly.



## Assembly (continued)

### 6 Tightening the bolts

- Once all of the bolts are in place, fully tighten the bolts.
- Turn the chair right side up.
- Ensure all connections are secure before use.
- Place the seat cushion (E) and the lumbar pillow (F) to complete the assembly of the chair.



## Care and Cleaning

- For best results, clean the chair with a damp cloth and dry thoroughly. This will help prevent mildew by removing dirt particles that may accumulate.
- Do not clean with abrasive materials, bleach, or solvents.
- Store the chair in a dry, sheltered place when not in use.
- Keep the chair away from fire, extreme heat, freezing conditions, and inclement weather such as rain, hail, sleet, snow, or wind.

# HAMPTON BAY<sup>®</sup>

Questions, problems, missing parts? Before returning to the store,  
call Hampton Bay Customer Service.  
8 a.m. - 7 p.m., EST, Monday - Friday, 9 a.m. - 6 p.m., EST, Saturday

**1-855-HD-HAMPTON**

**HOMEDEPOT.CA**

Retain this manual for future use.

For certification use only
Factory ID # FRS50421U