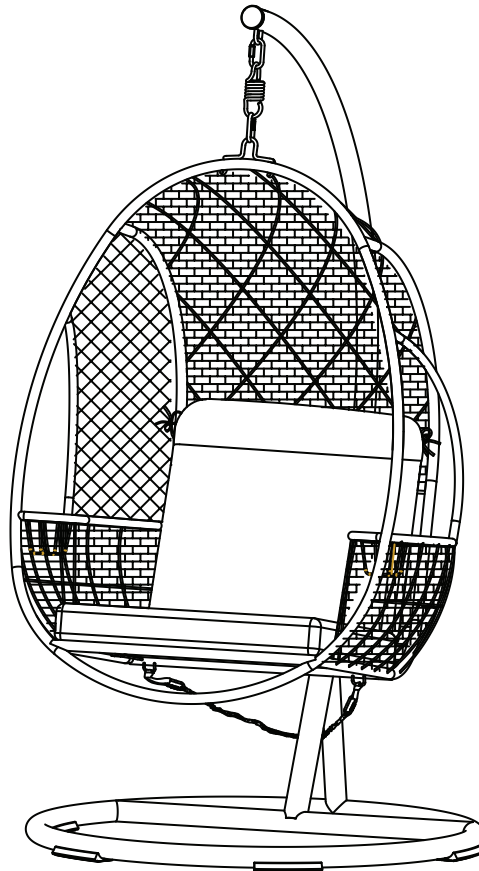


Item # 1001 184 218
Model # GCS09084E

HAMPTON BAY[®]

USE AND CARE GUIDE

STEEL WOVEN EGG SWING



Questions, problems, missing parts? Before returning to the store,
call Hampton Bay Customer Service.
8 a.m. - 7 p.m., EST, Monday - Friday, 9 a.m. - 6 p.m., EST, Saturday

1-855-HD-HAMPTON

HOMEDEPOT.CA

THANK YOU

We appreciate the trust and confidence you have placed in Hampton Bay through the purchase of this swing. We strive to continually create quality products designed to enhance your home. Visit us online to see our full line of products available for your home improvement needs. Thank you for choosing Hampton Bay!

Table of Contents

Table of Contents.....	2	Pre-Assembly	3
Important Safety Instructions	2	Planning Assembly.....	3
Save These Instructions	2	Hardware included.....	3
Read All Instructions Before Use	2	Packaging Contents.....	4
Warranty	3	Assembly.....	5
What is Covered	3	Care and Cleaning.....	9
What is Not Covered	3		

Important Safety Instructions

SAVE THESE INSTRUCTIONS



WARNING: This swing was as made for the explicit purpose of providing outdoor functions and is not to be used as a toy. This product is intended for normal outdoor use; however, the manufacturer recommends storing and / or covering this swing when any formidable / severe weather is approaching.



WARNING: Do not locate this product near open flames. Do not use this product as a support. Do not shake, lean or climb on the product. Children under the age of 10, near the product, should be supervised by a competent adult at all times. This product is NOT intended for commercial use and will void the warranty.

READ ALL INSTRUCTIONS BEFORE USE

To reduce the risk of injury to persons:

1. Close supervision is necessary when this product is used by or near children, or disabled persons, if applicable.
2. Use this product only for its intended use as described in these instructions. Do not use attachments not recommended by the manufacturer.
3. Please keep children out of the assembly area before assembly.



WARNING: Weight limit for the swing is 250 lbs (113.39 kg) for each seat.



WARNING: This swing unit is heavy, and may require two adults for safe assembly.



WARNING: Do not place heavy objects on the swing.



CAUTION: When not in use, secure the product in a cool and covered location.



CAUTION: Do not locate the product near any heat source.

Warranty

1 YEAR FRAME AND 1 YEAR FABRIC LIMITED WARRANTY

WHAT IS COVERED

We warrant the frames to be free of manufacturing defects to the original purchaser for one year, and a one year limited warranty for the fabric.

WHAT IS NOT COVERED

It remains the customer's responsibility for freight and packaging charges to and from our service center. This warranty does not cover commercial use, hardware, acts of nature, fire, freezing and abusive use. In addition, purchased parts are not covered under this warranty. We reserve the right to make substitutions with similar merchandise, if the model in question is no longer in production.

Contact the Customer Service Team at 1-855-HD-HAMPTON or visit www.Homedepot.ca.

Pre-Assembly

PLANNING ASSEMBLY

Read all instructions before assembly.

To avoid damaging this product, assemble it on a soft, non-abrasive surface such as carpet or cardboard.

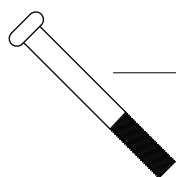


NOTE: More than one person may be required to assemble this product.

HARDWARE INCLUDED



NOTE: Hardware not shown to actual size.



AA



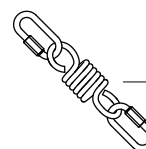
BB



CC



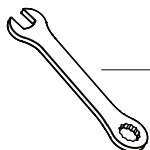
DD



EE



FF

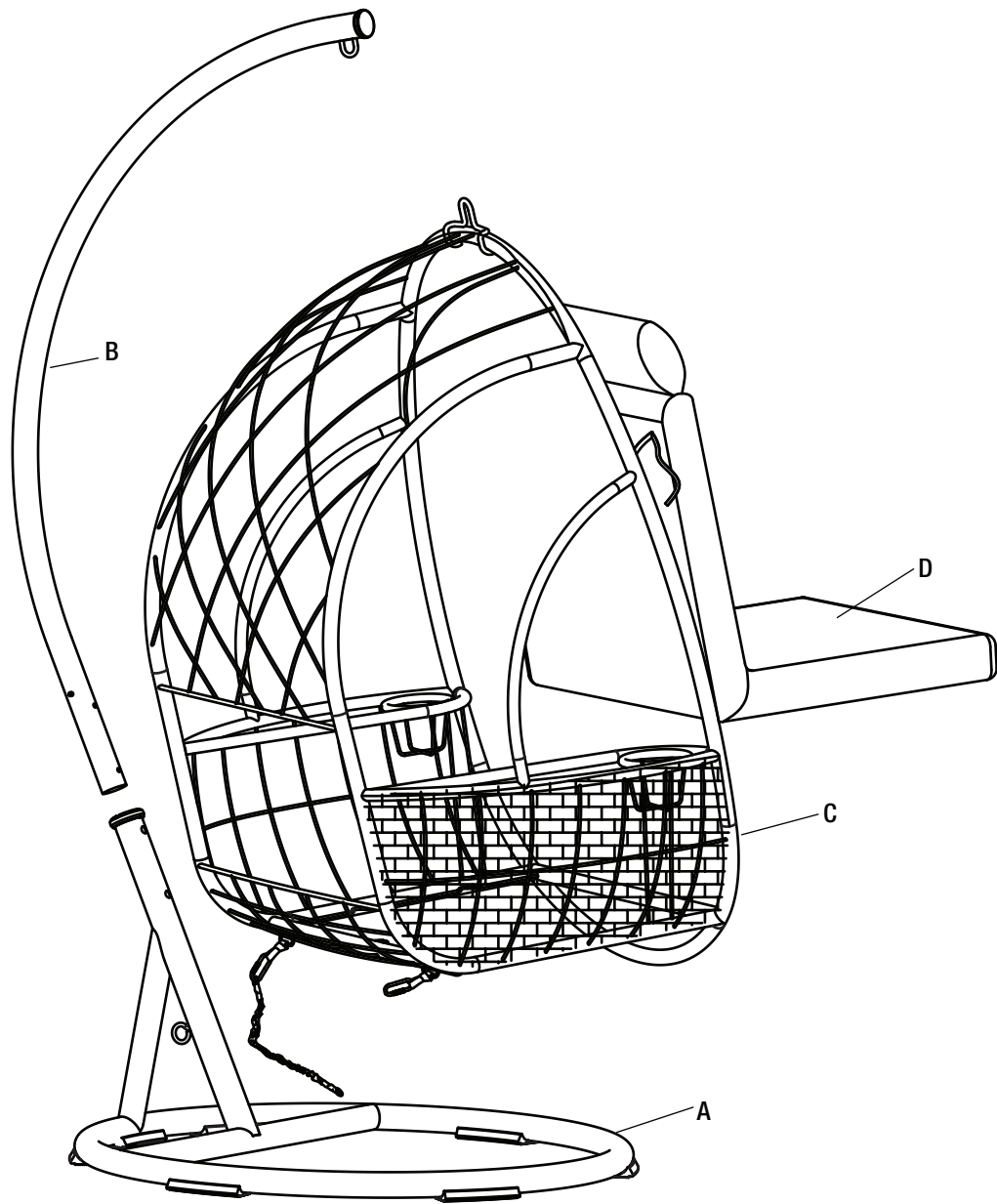


GG

Part	Description	Quantity
AA	M8x60 bolt	2+1
BB	M8 washer	2+1
CC	M8 nut	2+1
DD	Nut cap	2+1
EE	Spring with carabiners	1
FF	Hex wrench	1
GG	Wrench	1

Pre-Assembly (continued)

PACKAGE CONTENTS

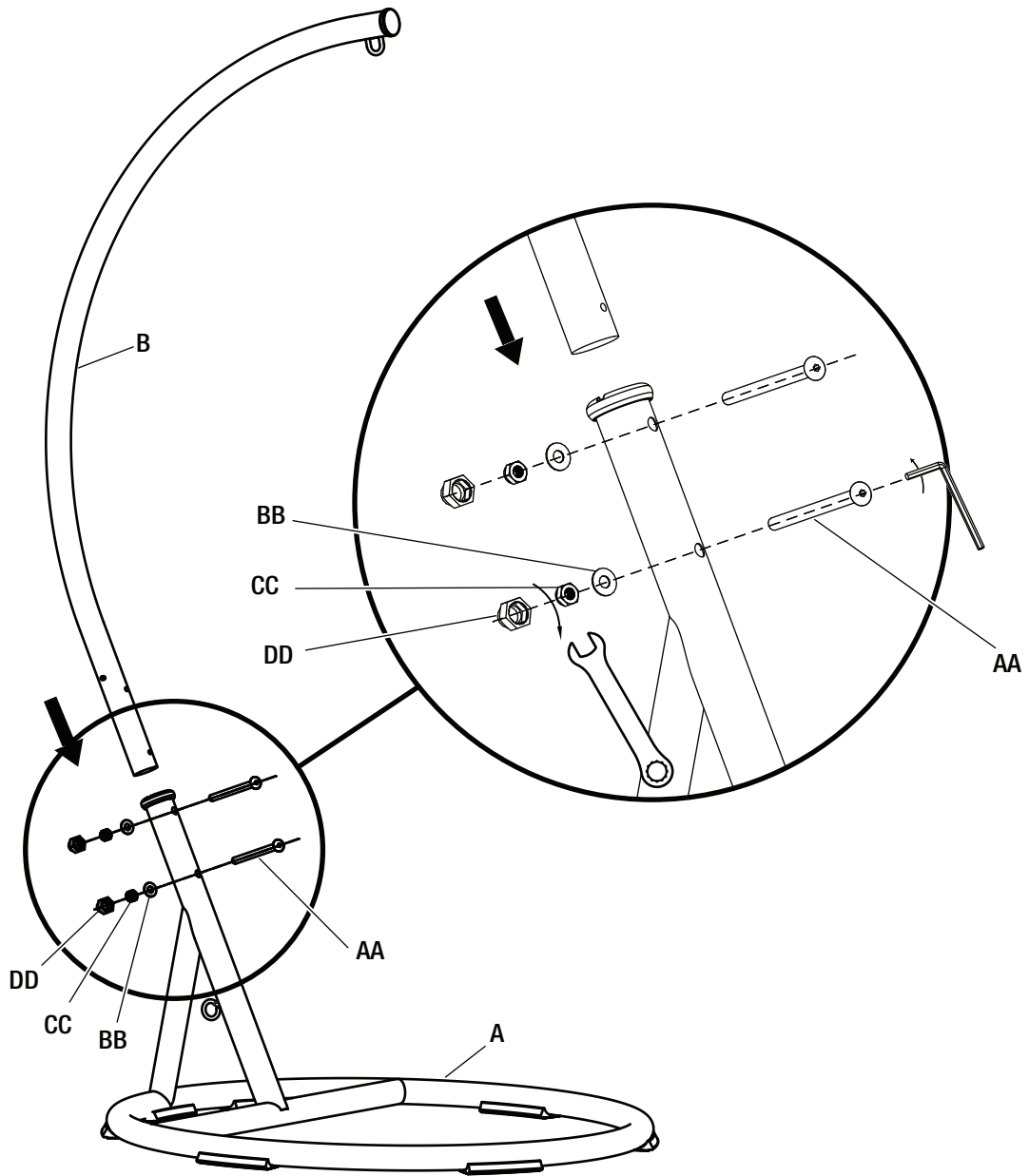


Part	Description	Quantity
A	Base	1
B	Pole stand	1
C	Swing frame	1
D	Cushion	1

Assembly

1 CONNECTING THE POLE STAND TO THE BASE

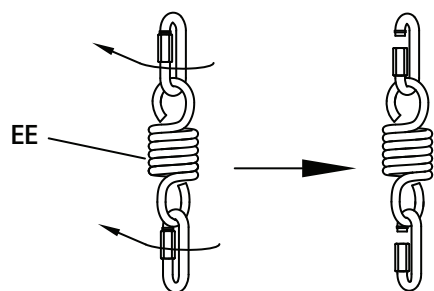
- Place the base (A) on a soft surface.
- Slide the pole stand (B) into the base (A), align the holes and using M8x60 bolts (AA), M8 washers (BB), M8 nuts (CC) and nut cap (DD).
- Once all of the bolts are in place, fully tighten the bolts using the hex wrench (FF) and the wrench (GG).



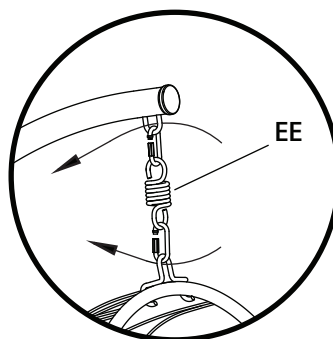
Assembly (continued)

2 HANGING THE SWING FRAME TO THE POLE STAND

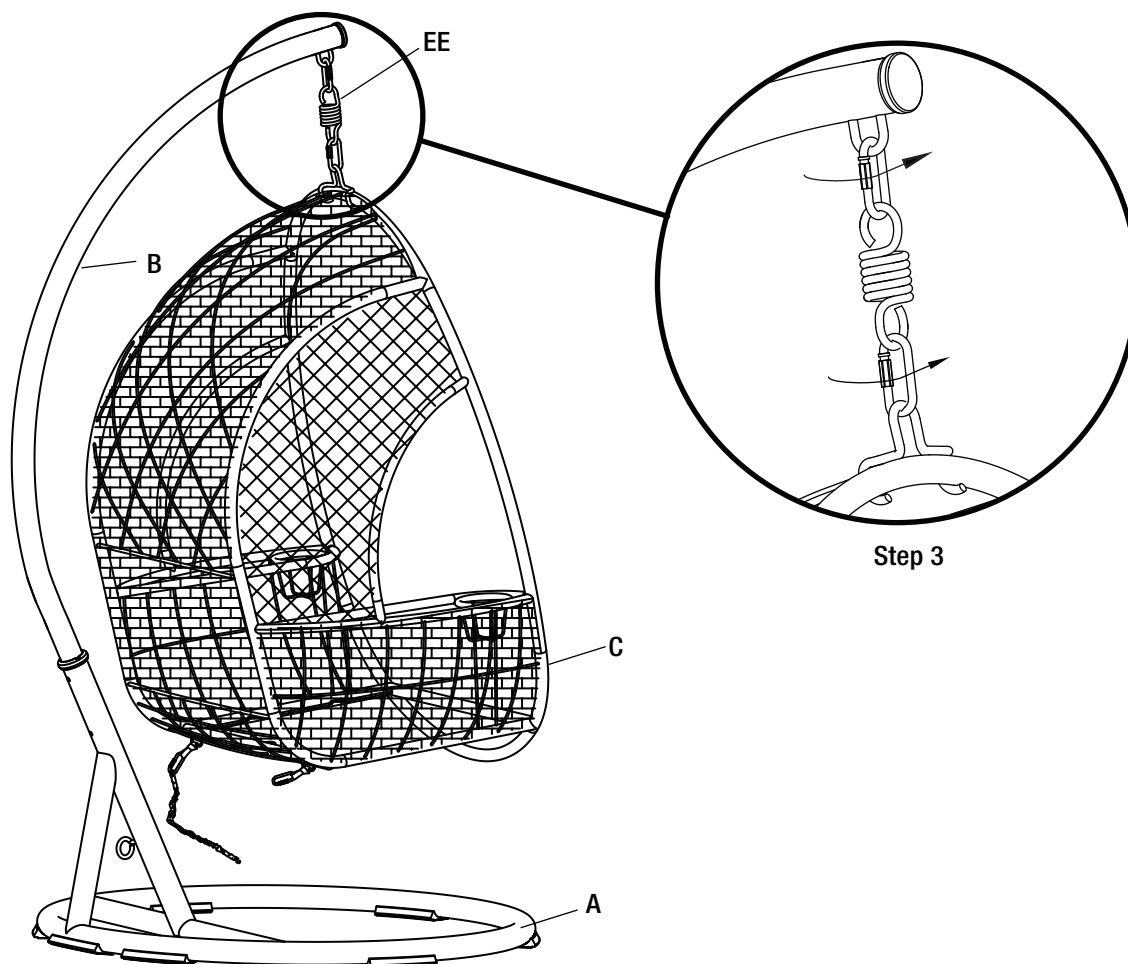
- Open the spring with carabiners (EE) in the clockwise direction, as shown in step 1.
- Hang the swing frame (C) to the pole stand (B) by hooking the spring with carabiners (EE) to the swing frame (C) and the pole stand (B), as shown in step 2.
- Close the spring with carabiners (EE) in the counterclockwise direction, as shown in step 3.



Step 1



Step 2

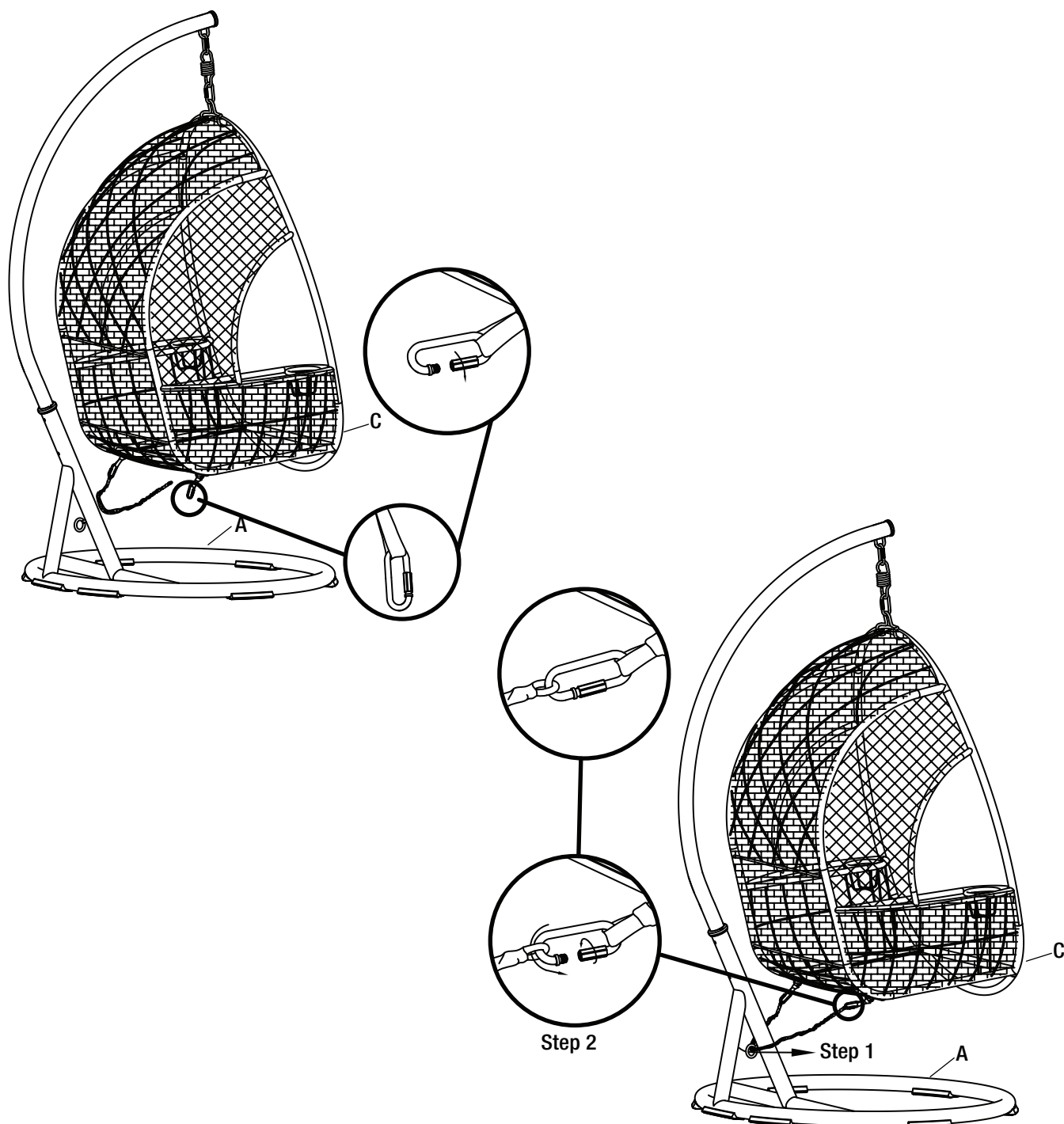


Step 3

Assembly (continued)

3 CONNECTING THE SWING FRAME TO THE BASE

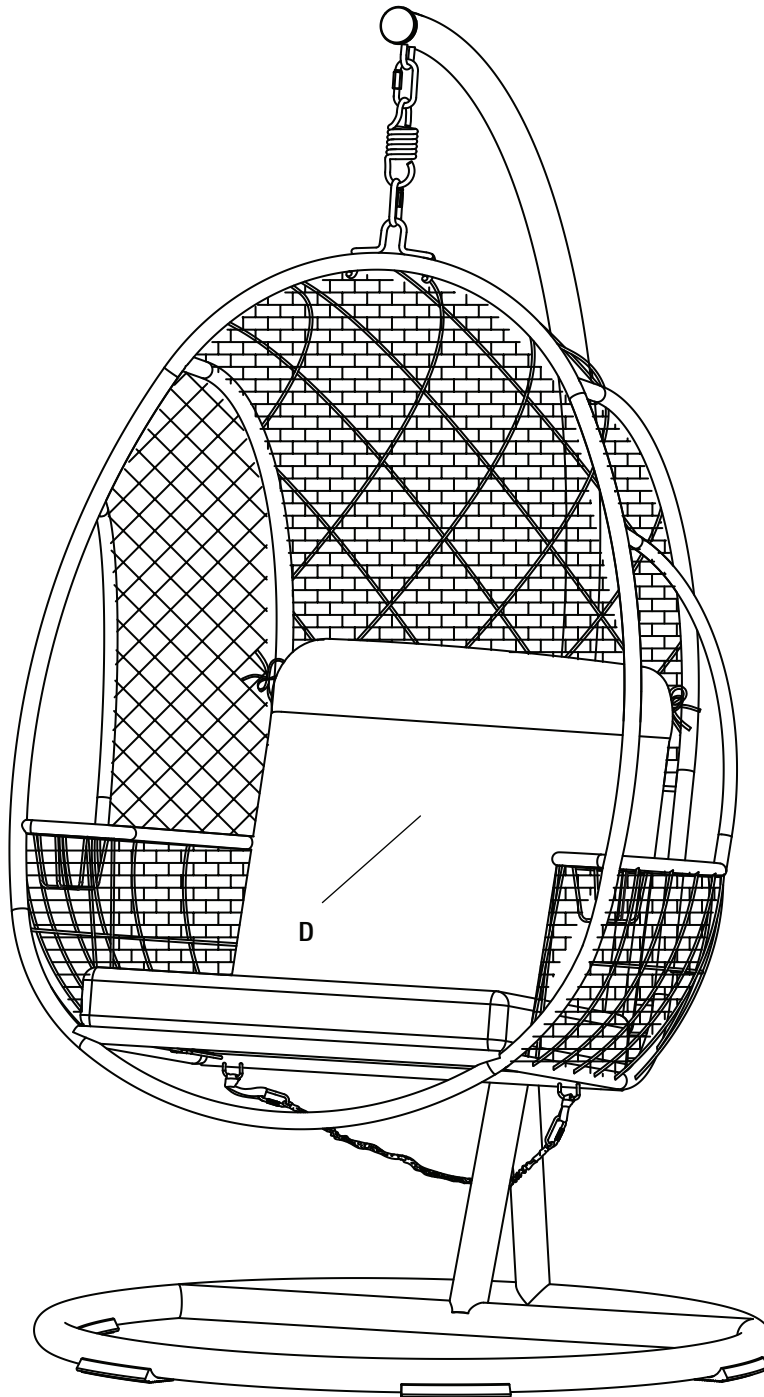
- Open the locked carabiner on the swing frame in the clockwise direction and take the safety strap out from the locked carabiner.
- Connect the swing frame to the base by placing the safety strap around the base and through the ring on the base.
- Place the safety strap to the locked carabiner on the swing frame and close in the counterclockwise direction.



Assembly (continued)

4 PLACING THE CUSHIONS AND THE PILLOWS

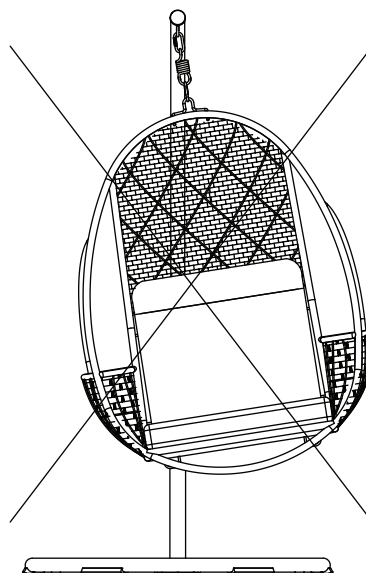
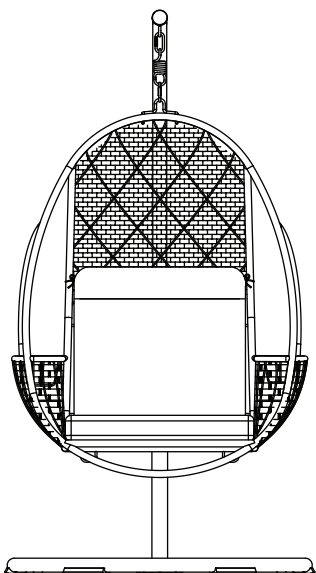
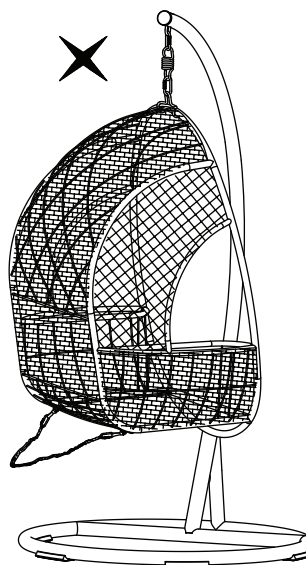
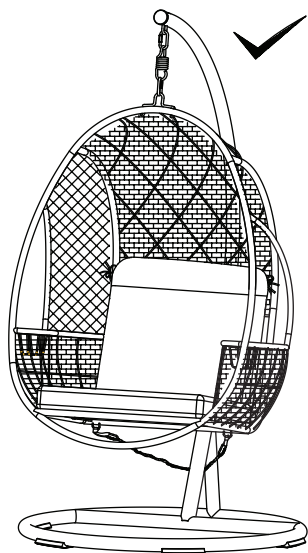
- Placing the cushion (D) to finish the assembly of the swing.
- Ensure all connections are secure before use.



Assembly (continued)

5 CHECKING THE SWING

- Make sure the swing frame is aligned correctly before sitting.



Care and Cleaning

- For best results, clean the frame and cushions with a damp cloth and dry thoroughly. This will help prevent mildew by removing dirt particles that may accumulate.
- Do not clean with abrasive materials, bleach or solvents.
- Store the swing and chairs in a dry sheltered place when not in use.
- Keep the swing away from fire, extreme heat, freezing conditions, and inclement weather such as rain, hail, sleet, snow, or wind.

HAMPTON BAY®

Questions, problems, missing parts? Before returning to the store,
call Hampton Bay Customer Service.
8 a.m. - 7 p.m., EST, Monday - Friday, 9 a.m. - 6 p.m., EST, Saturday

1-855-HD-HAMPTON

HOMEDEPOT.CA

Retain this manual for future use.

For certification use only
Factory ID # GCS09084E