

Item # 1001 215 082
Model # FRS60696AS-ST

HAMPTON BAY®

USE AND CARE GUIDE

STATESVILLE 5-PIECE STEEL DINING SLING SWIVAL SET



Questions, problems, missing parts? Before returning to the store,
call Hampton Bay Customer Service.
8 a.m. - 7 p.m., EST, Monday - Friday, 9 a.m. - 6 p.m., EST, Saturday

1-855-HD-HAMPTON

HOMEDPOT.CA

THANK YOU

We appreciate the trust and confidence you have placed in Hampton Bay through the purchase of this dining set. We strive to continually create quality products designed to enhance your home. Visit us online to see our full line of products available for your home improvement needs. Thank you for choosing Hampton Bay!

Table of Contents

Table of Contents	2	Pre-Assembly	3
Important Safety Instructions	2	Planning Assembly	3
Save These Instructions	2	Hardware Included	3
Read All Instructions Before Use	2	Chair Package Contents	4
Warranty	3	Table Package Contents	5
What is Covered	3	Chair Assembly	6
What is Not Covered	3	Table Assembly	12
		Care and Cleaning	14

Important Safety Instructions

SAVE THESE INSTRUCTIONS



WARNING: This dining set was made for the explicit purpose of providing outdoor functions and is not to be used as a toy. This product is intended for normal outdoor use; however, the manufacturer recommends storing and / or covering this product when any formidable / severe weather is approaching.



WARNING: Do not locate this product near open flames. Do not use this product as a support. Do not shake, lean or climb on the product. Children under the age of 10, near the product, should be supervised by a competent adult at all times. This product is NOT intended for commercial use and will void the warranty.

READ ALL INSTRUCTIONS BEFORE USE

To reduce the risk of injury to persons:

1. Close supervision is necessary when this product is used by or near children, or disabled persons, if applicable.
2. Use this product only for its intended use as described in these instructions. Do not use attachments not recommended by the manufacturer.
3. Do not move the chairs while the chairs are occupied. Failure to obey this caution could result in injury.
4. This table is not intended to support an umbrella. Umbrellas must have a suitable base or stand.



WARNING: Weight limit for the chairs is 250 lbs (113.39 kg) for each seat.



WARNING: This dining set is heavy, and may require two adults for safe assembly.



WARNING: Do not place more than 125 lbs of objects on the table top.



WARNING: Do not place heavy objects on the chairs.



CAUTION: When not in use, secure the product in a cool and covered location.

Warranty

2 YEAR FRAME LIMITED WARRANTY

WHAT IS COVERED

We warrant the frames to be free of manufacturing defects to the original purchaser for two years.

WHAT IS NOT COVERED

It remains the customer's responsibility for freight and packaging charges to and from our service center. This warranty does not cover commercial use, hardware, acts of nature, fire, freezing and abusive use. In addition, purchased parts are not covered under this warranty. We reserve the right to make substitutions with similar merchandise, if the model in question is no longer in production.

Contact the Customer Service Team at 1-855-HD-HAMPTON or visit www.homedepot.ca.

Pre-Assembly

PLANNING ASSEMBLY

Read all instructions before assembly.

To avoid damaging this product, assemble it on a soft, non-abrasive surface such as carpet or cardboard.

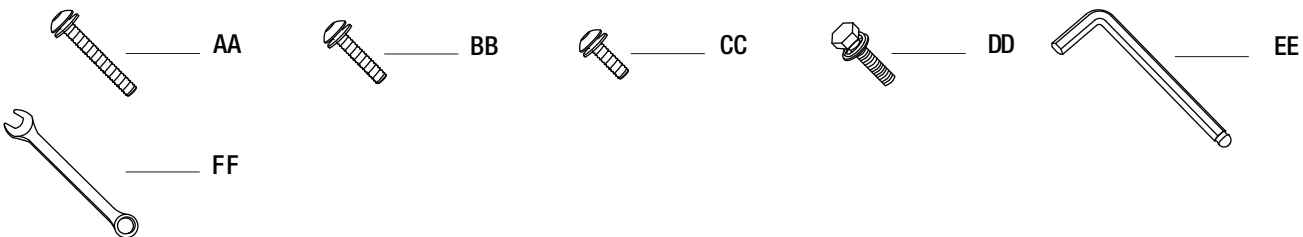


NOTE: More than one person may be required to assemble this product.

HARDWARE INCLUDED



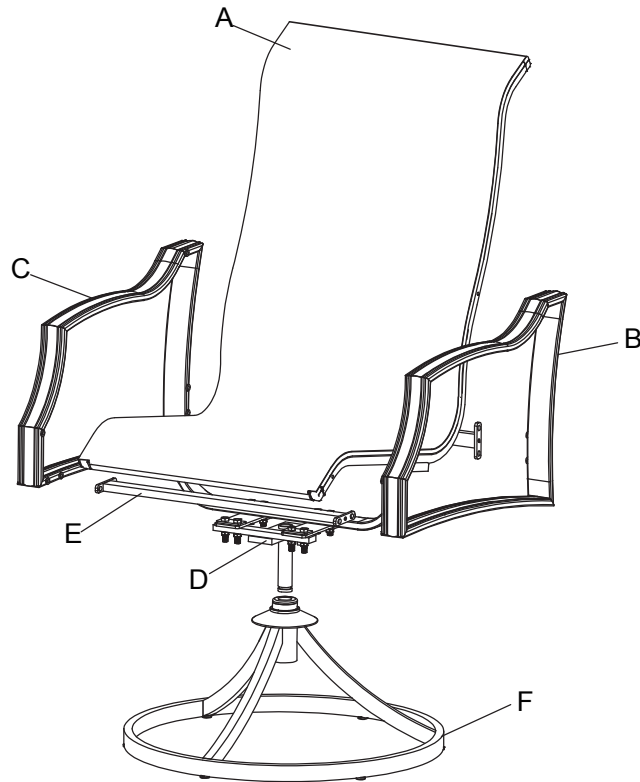
NOTE: Hardware not shown to actual size.



Part	Description	Quantity
AA	M6x30 combination bolt	16+1
BB	M6x25 combination bolt	8+1
CC	M6x15 combination bolt	40+2
DD	M8x20 combination bolt	16+1
EE	Hex wrench	2
FF	Wrench	1

Pre-Assembly (continued)

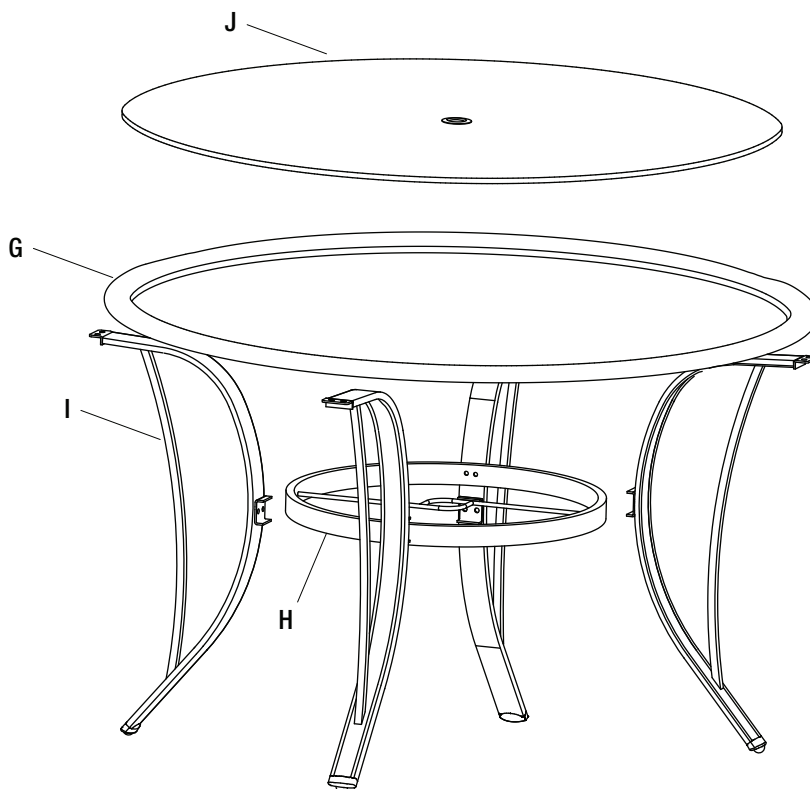
CHAIR PACKAGE CONTENTS



Part	Description	Quantity
A	Chair bucket	4
B	Left arm	4
C	Right arm	4
D	Support bar	4
E	Connection bar	8
F	Swivel base	4

Pre-Assembly (continued)

TABLE PACKAGE CONTENTS



Part	Description	Quantity
G	Table rim	1
H	Leg connector	1
I	Table leg	4
J	Glass	1

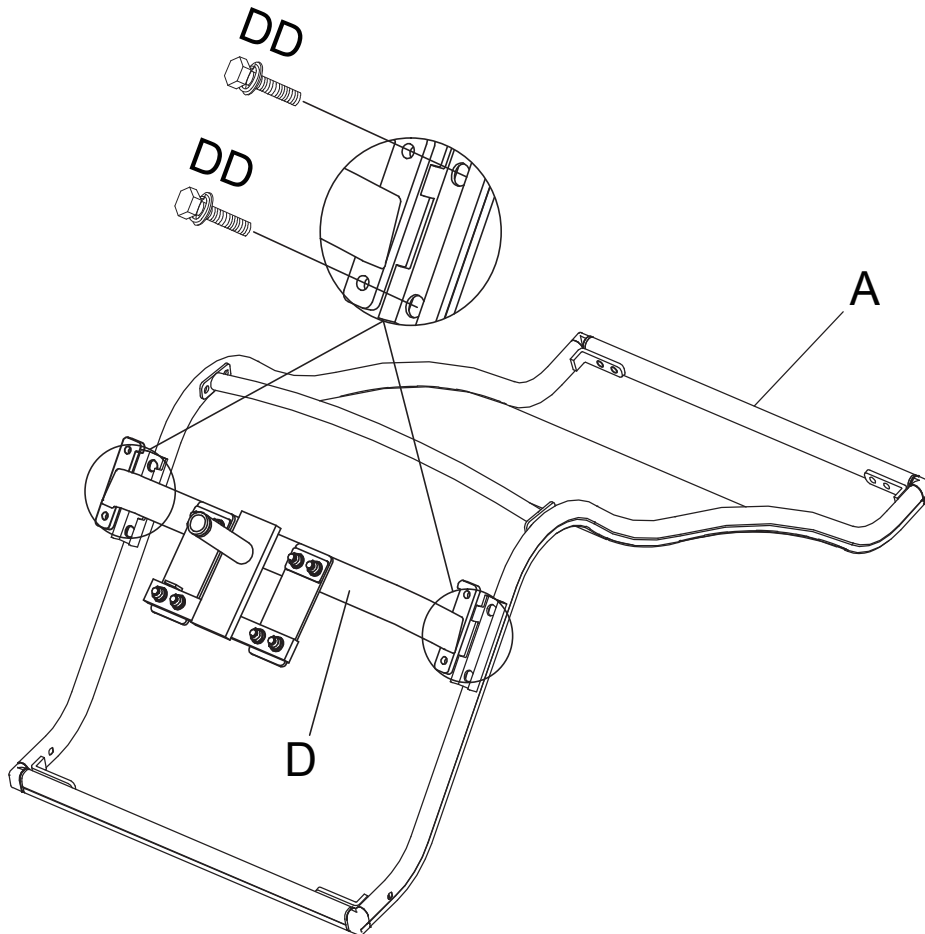
Chair Assembly

1 CONNECTING THE SUPPORT BAR TO THE CHAIR BUCKET

- Place the chair bucket (A) upside down on a soft surface.
- Attach the support bar (D) to the bottom of the chair bucket (A) using M8x20 combination bolts (DD).



NOTE: Loosely tighten all bolts using the wrench (FF).



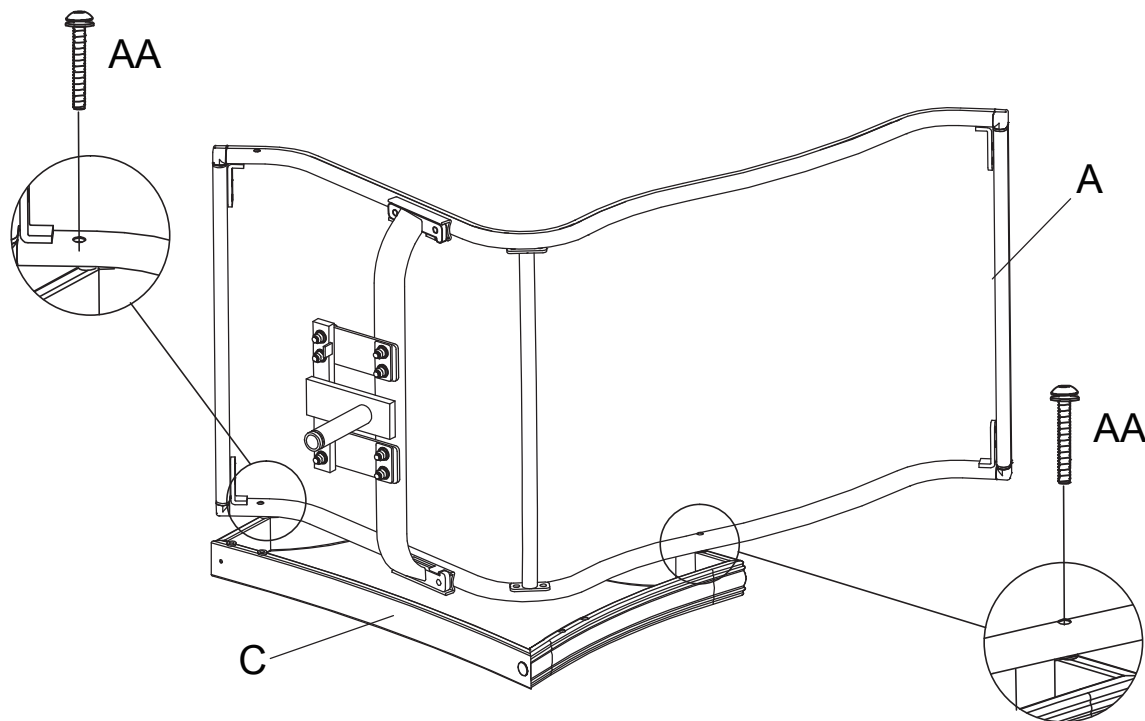
Chair Assembly (continued)

2 CONNECTING THE RIGHT ARM TO THE CHAIR BUCKET

- Attach the right arm (C) to the chair bucket (A) using M6x30 combination bolts (AA).
- Do not fully tighten the bolts at this step.



NOTE: Loosely tighten all the bolts using the hex wrench (EE).



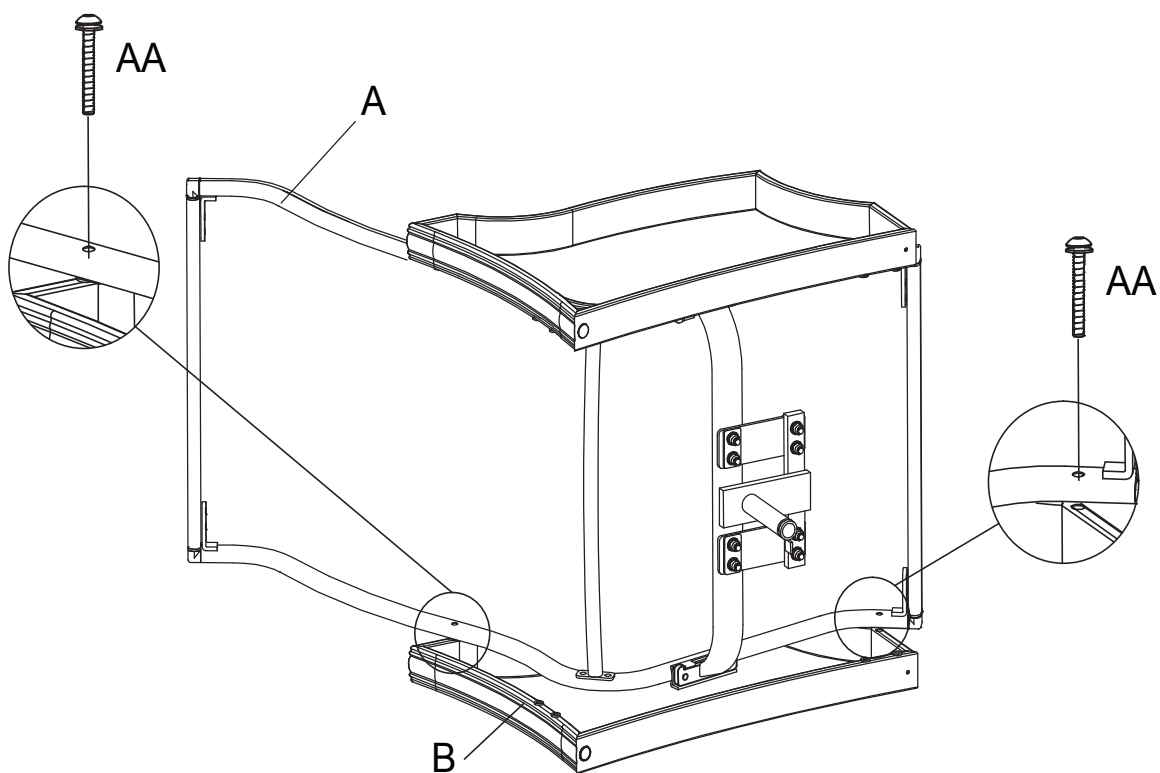
Chair Assembly (continued)

3 CONNECTING THE LEFT ARM TO THE CHAIR BUCKET

- Repeat step 2 to attach the left arm (B) to the chair bucket (A).



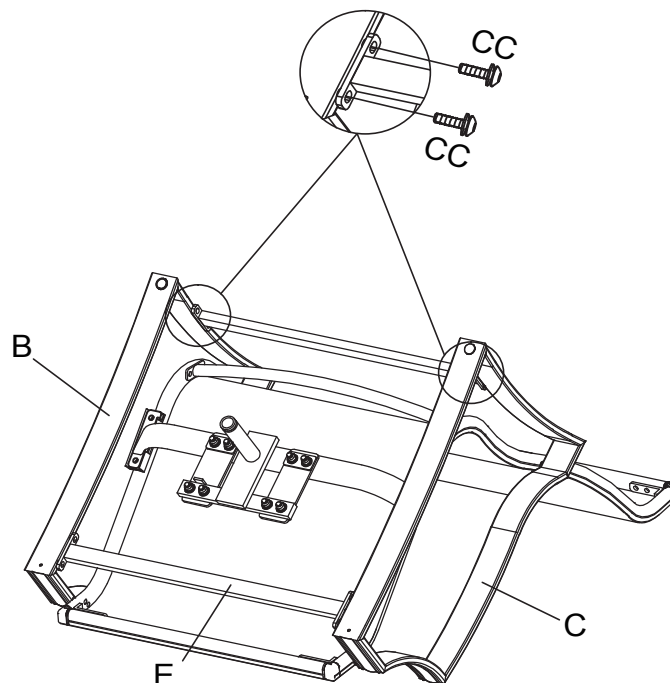
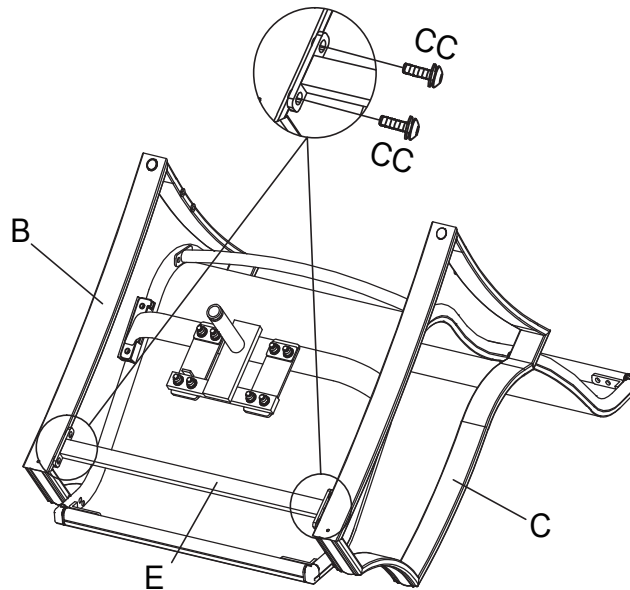
NOTE: Loosely tighten all the bolts using the hex wrench (EE).



Chair Assembly (continued)

4 CONNECTING THE CONNECTION BARS TO THE FRONT AND THE BACK OF THE ARMS

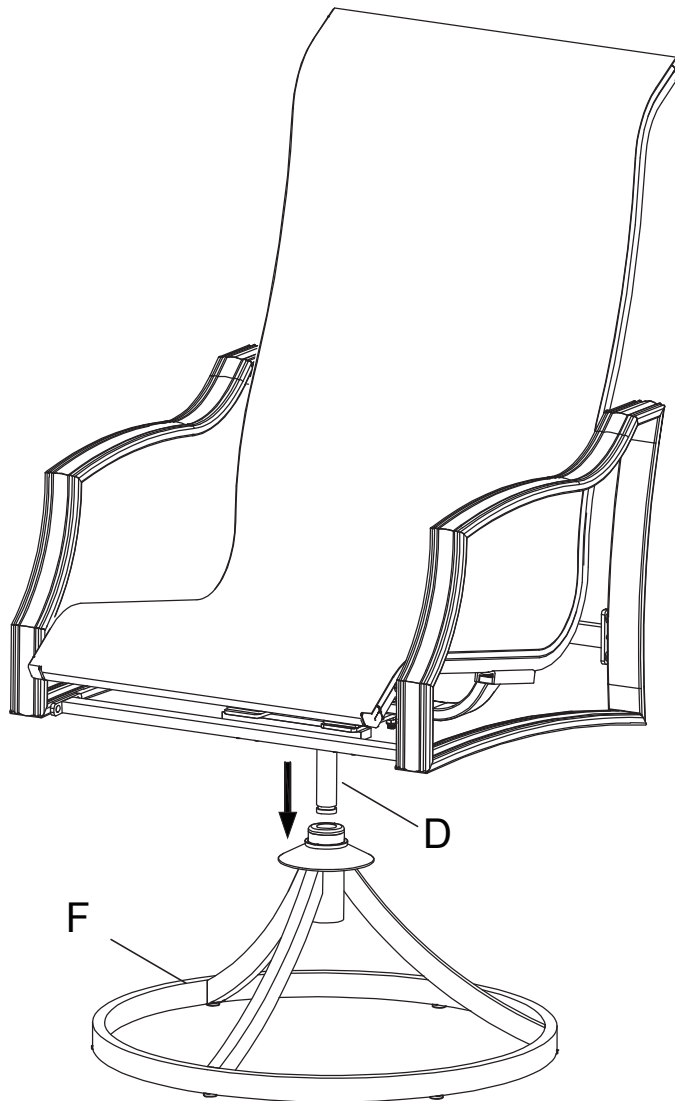
- Attach the connection bar (E) to the front of the left and the right arms (B & C) using M6x15 combination bolts (CC).
- Attach the connection bar (E) to the back of the left and the right arms (B & C) using M6x15 combination bolts (CC).
- Once all of the bolts are in place, fully tighten the bolts using the hex wrench (EE) and wrench (FF).



Chair Assembly (continued)

5 INSERTING THE SUPPORT BAR INTO THE SWIVEL BASE

- Turn the chair right side up.
- Insert the support bar (E) into the swivel base (F).



Chair Assembly (continued)

6 CHECKING THE CHAIRS

- Ensure all connections are secure before use.

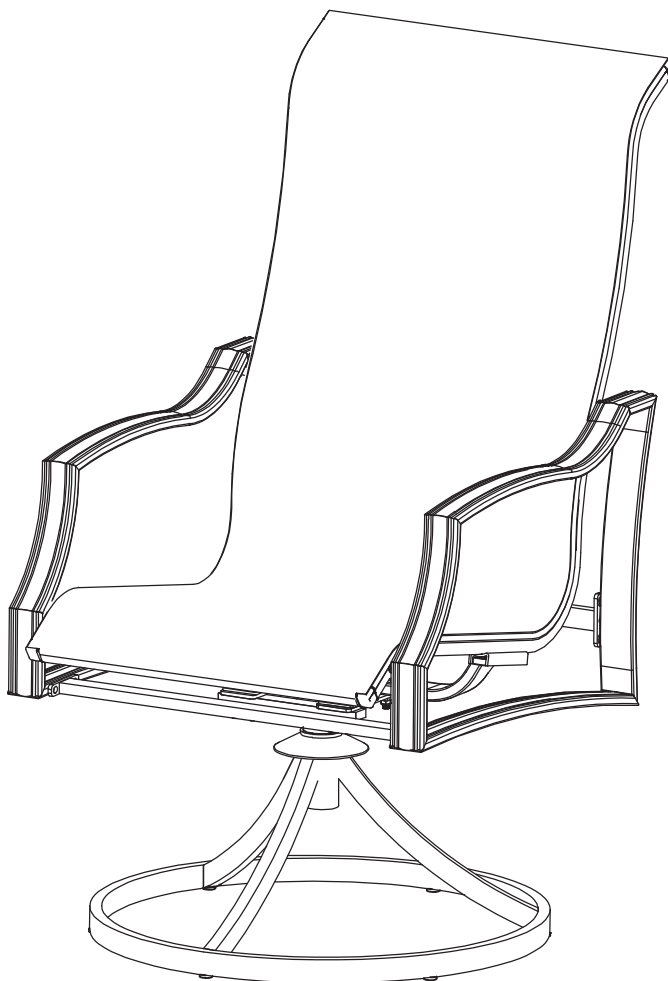


Table Assembly

1 CONNECTING THE TABLE LEGS TO THE TABLE RIM

- Place the table rim (G) upside down on a soft surface.
- Attach the table legs (I) to the table rim (G) using M6x15 combination bolts (CC).



NOTE: Loosely tighten all the bolts using the hex wrench (EE).

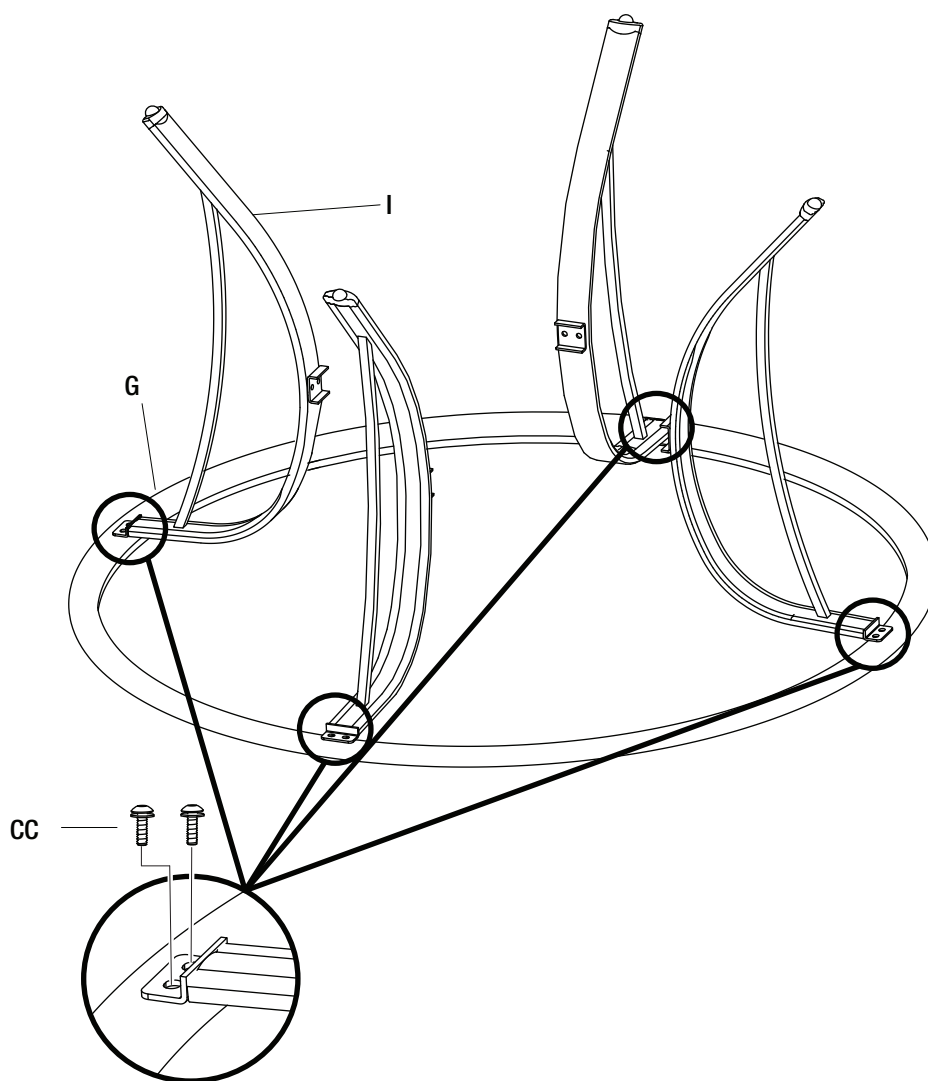


Table Assembly (continued)

2 ATTACHING THE LEG CONNECTOR TO THE TABLE LEGS

- Attach the leg connector (H) to the table legs (I) using M6x25 combination bolts (BB).
- Do not fully tighten the bolts at this step.



NOTE: Loosely tighten all the bolts using the hex wrench (EE).

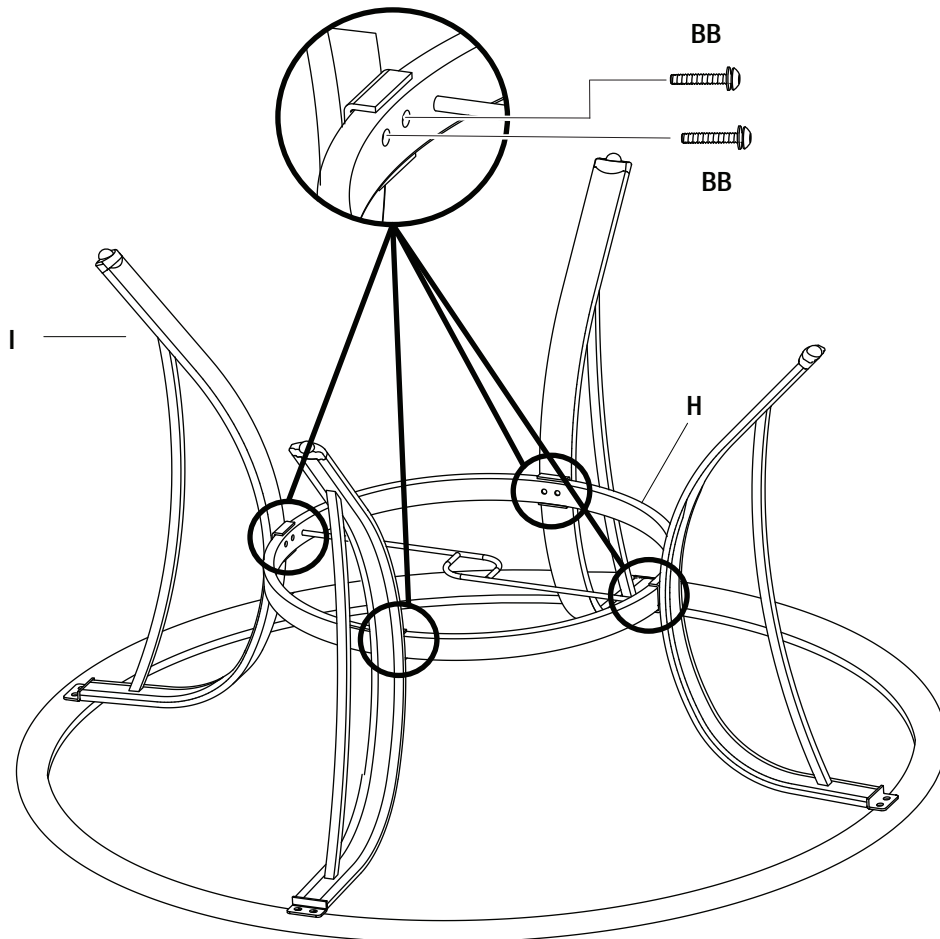
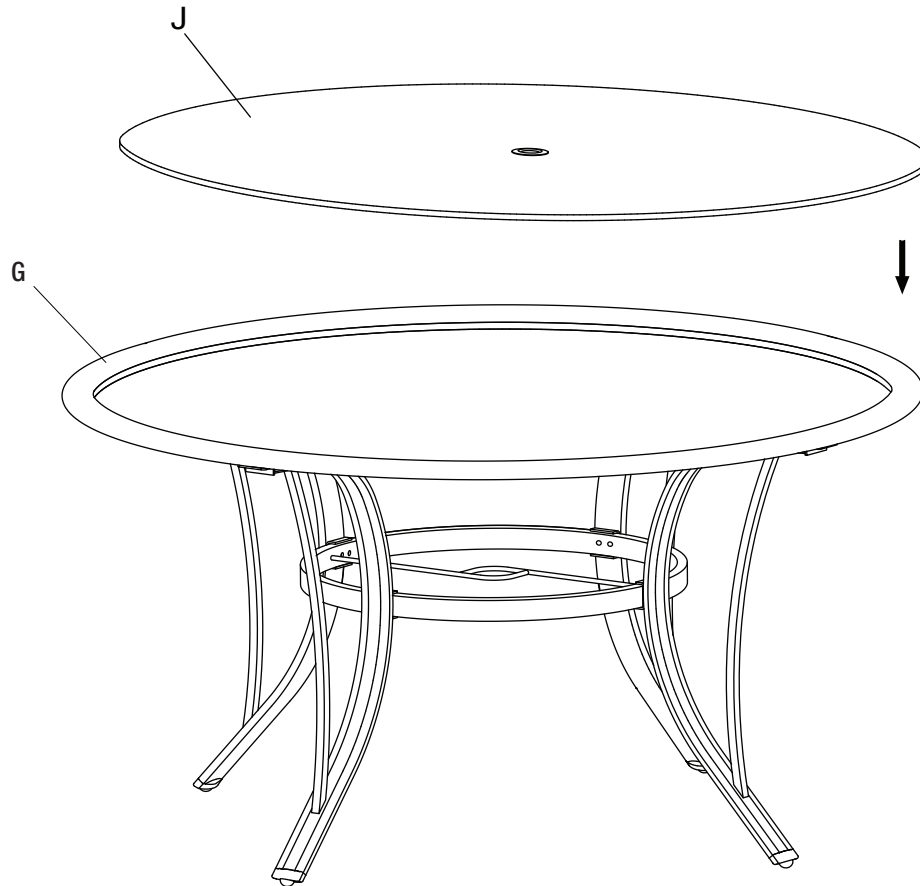


Table Assembly (continued)

3 TIGHTENING THE BOLTS

- Once all of the bolts are in place, fully tighten the bolts.
- Turn the table right side up.
- Place the glass (J) into the table rim (G).
- Ensure all connections are secure before use.



Care and Cleaning

- For best results, clean the frame with a damp cloth and dry thoroughly. This will help prevent mildew by removing dirt particles that may accumulate.
- Do not clean with abrasive materials, bleach, or solvents.
- Store the set in a dry, sheltered place when not in use.
- Keep the set away from fire, extreme heat, freezing conditions, and inclement weather such as rain, hail, sleet, snow, or wind.

HAMPTON BAY®

Questions, problems, missing parts? Before returning to the store,
call Hampton Bay Customer Service.
8 a.m. - 7 p.m., EST, Monday - Friday, 9 a.m. - 6 p.m., EST, Saturday

1-855-HD-HAMPTON

HOMEDEPOT.CA

Retain this manual for future use.

For certification use only
Factory chair ID # FRS60696AS Factory table ID # FWS80569B