

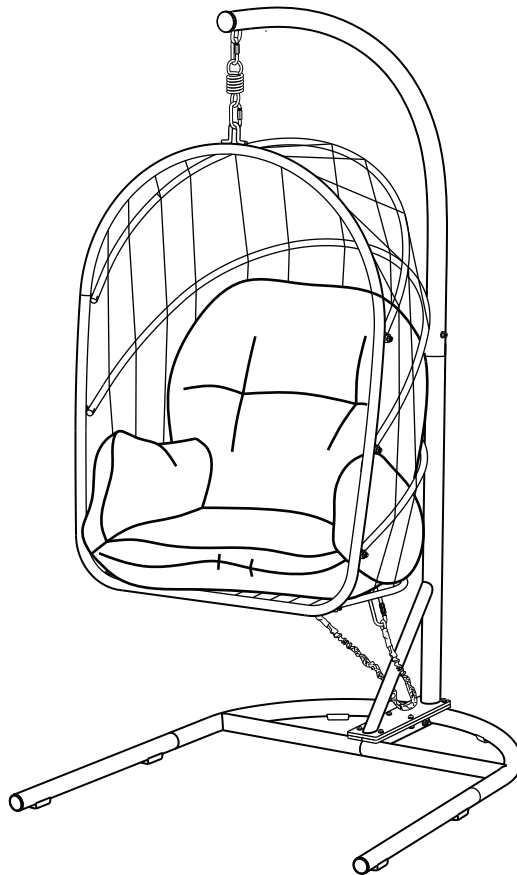
Item # 0000 000 000  
Model # GCS09120C

# HAMPTON BAY®

## USE AND CARE GUIDE

---

### COLLAPSIBLE GREY HANGING EGG CHAIR WITH BASE



Questions, problems, missing parts? Before returning to the store,  
call Hampton Bay Customer Service  
8 a.m. - 7 p.m., EST, Monday – Friday, 9 a.m. – 6 p.m., EST, Saturday

**1-855-HD-HAMPTON**

**HOMEDPOT.CA**

---

#### **THANK YOU**

*We appreciate the trust and confidence you have placed in Hampton Bay through the purchase of this chair. We strive to continually create quality products designed to enhance your home. Visit us online to see our full line of products available for your home improvement needs. Thank you for choosing Hampton Bay!*


# Table of Contents


Table of Contents . . . . . 2  
Important Safety Instructions . . . . . 2  
    Save These Instructions . . . . . 2  
    Read All Instructions Before Use . . . . . 2  
Warranty . . . . . 3  
    What is covered . . . . . 3  
    What is not covered . . . . . 3

Pre-Assembly . . . . . 3  
    Planning Assembly . . . . . 3  
    Hardware Included . . . . . 3  
    Package Contents . . . . . 4  
Assembly . . . . . 5  
Care and Cleaning . . . . . 8

## Important Safety Instructions

### SAVE THESE INSTRUCTIONS

 **WARNING:** THIS CHAIR IS MADE FOR THE EXPLICIT PURPOSE OF PROVIDING OUTDOOR FUNCTIONS AND IS NOT TO BE USED AS A TOY. THIS PRODUCT IS INTENDED FOR NORMAL OUTDOOR USE; HOWEVER, THE MANUFACTURER RECOMMENDS STORING AND/OR COVERING THIS PRODUCT WHEN ANY FORMIDABLE/SEVERE WEATHER IS APPROACHING.

 **WARNING:** DO NOT LOCATE THIS PRODUCT NEAR OPEN FLAMES. DO NOT USE THIS PRODUCT AS A SUPPORT. DO NOT SHAKE, LEAN OR CLIMB ON THE PRODUCT. CHILDREN UNDER THE AGE OF 10, NEAR THE PRODUCT, SHOULD BE SUPERVISED BY A COMPETENT ADULT AT ALL TIMES. THIS PRODUCT IS NOT INTENDED FOR COMMERCIAL USE AND WILL VOID THE WARRANTY.


### READ ALL INSTRUCTIONS BEFORE USE


To reduce the risk of injury to persons:

1. Close supervision is necessary when this furnishing is used by or near children, or disabled persons, if applicable.
2. Use this furnishing only for its intended use as described in these instructions. Do not use attachments not recommended by the manufacturer.
3. Do not move the chair while it is occupied. Failure to obey this caution could result in injury.


 **CAUTION:** When not in use, secure the product in a cool and covered location.

 **CAUTION:** Do not locate the product near any heat sources.

 **WARNING:** Weight limit for the chair is 250lbs (113.39Kg) for each seat.

 **WARNING:** Please keep children out of the assembly area before assembly.

 **WARNING:** This chair unit is heavy, and may require two adults for safe assembly.

 **WARNING:** Never use this product as a support. Do not shake, lean, or climb on the product at any time.

 **WARNING:** Do not place heavy objects on the chair.

# Warranty

## 1 YEAR FRAME AND 1 YEAR FABRIC LIMITED WARRANTY

### WHAT IS COVERED

We warrant the frames to be free of manufacturing defects to the original purchaser for one year, and a one year limited warranty for the fabric.

### WHAT IS NOT COVERED

It remains the customer's responsibility for freight and packaging charges to and from our service center. This warranty does not cover commercial use, hardware, acts of nature, fire, freezing and abusive use. In addition, purchased parts are not covered under this warranty. We reserve the right to make substitutions with similar merchandise, if the model in question is no longer in production.

Contact the Customer Service Team at 1-855-HD-HAMPTON or visit [www.HOMEDEPOT.ca](http://www.HOMEDEPOT.ca).

# Pre-Assembly

## PLANNING ASSEMBLY

Read all instructions before assembly.

To avoid damaging this product, assemble it on a soft, non-abrasive surface such as carpet or cardboard.

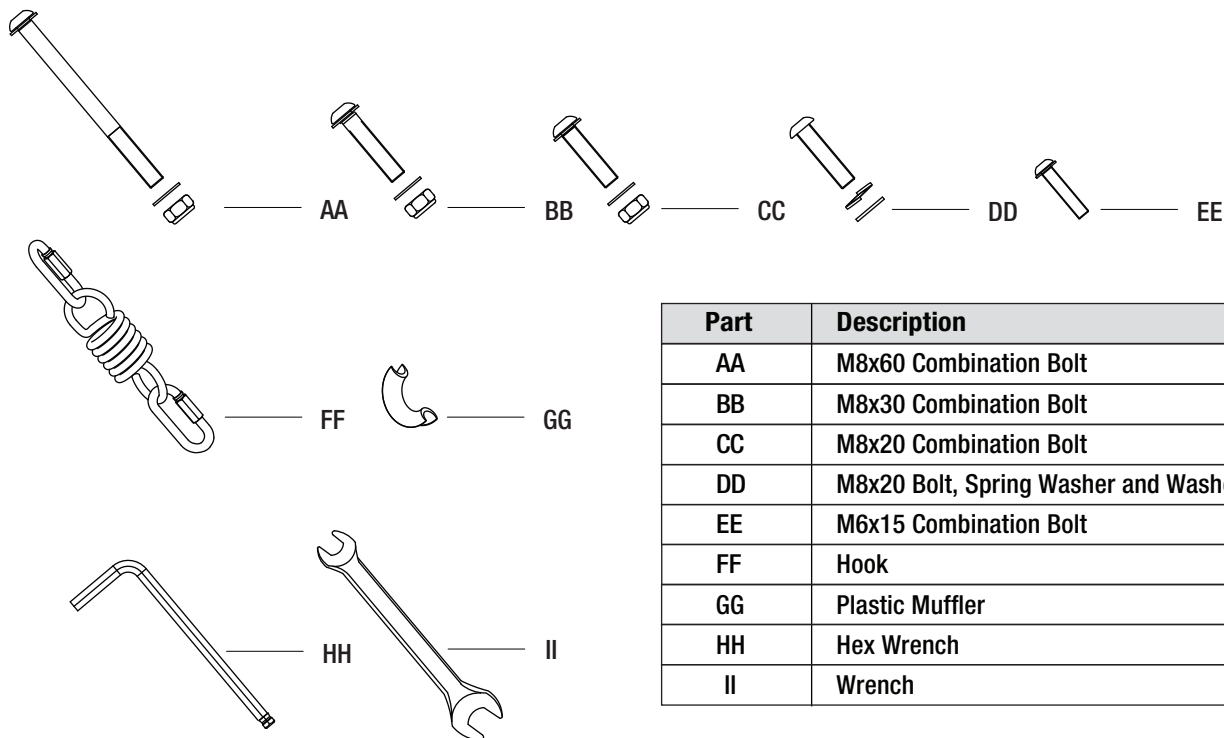


**NOTE:** More than one person may be required to assemble this product.

## HARDWARE INCLUDED



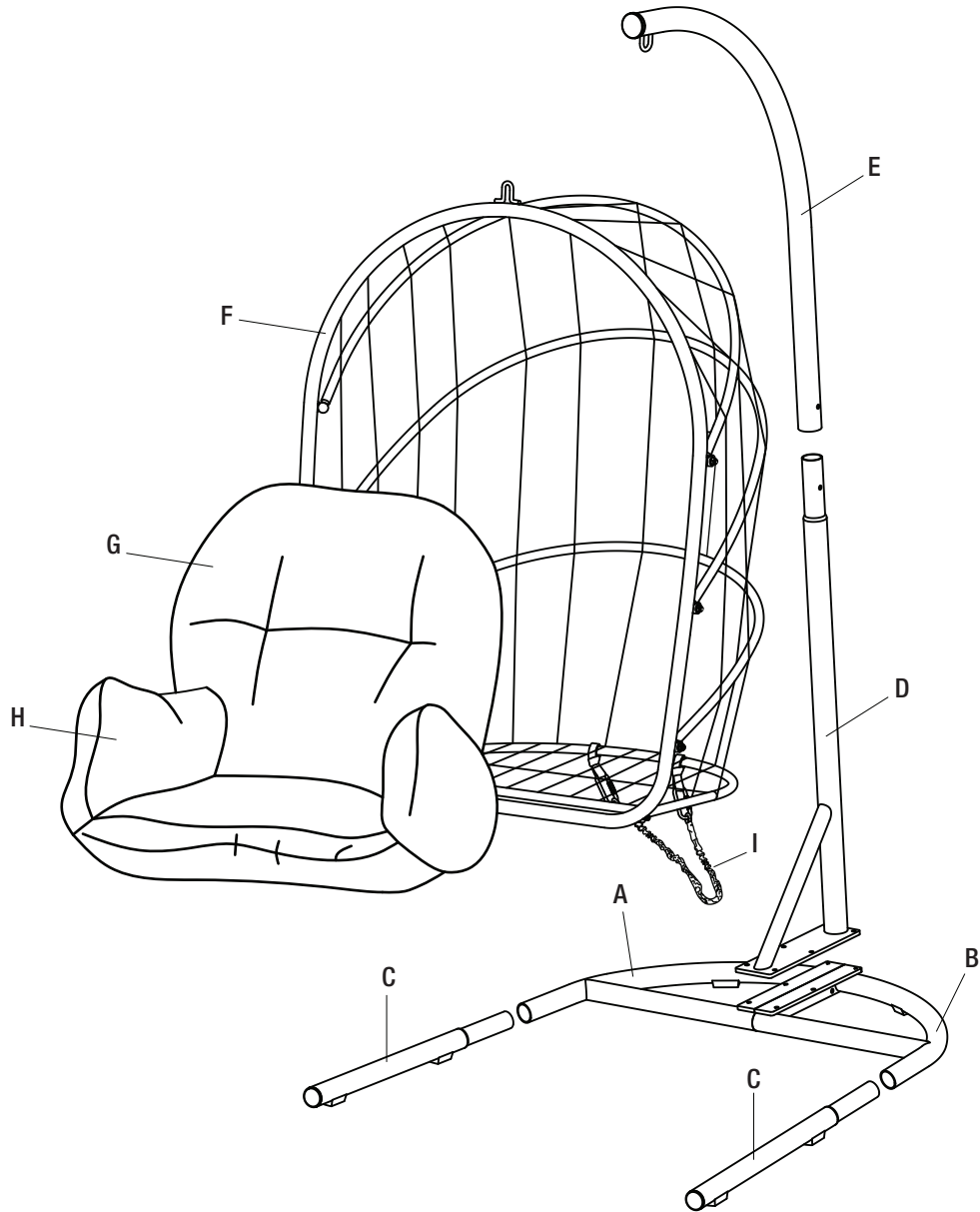
**NOTE:** Hardware not shown to actual size.



Part	Description	Quantity
AA	M8x60 Combination Bolt	1+1
BB	M8x30 Combination Bolt	4+1
CC	M8x20 Combination Bolt	4+1
DD	M8x20 Bolt, Spring Washer and Washer	2+1
EE	M6x15 Combination Bolt	2+1
FF	Hook	1
GG	Plastic Muffler	2
HH	Hex Wrench	1
II	Wrench	1

# Pre-Assembly (continued)

## PACKAGE CONTENTS

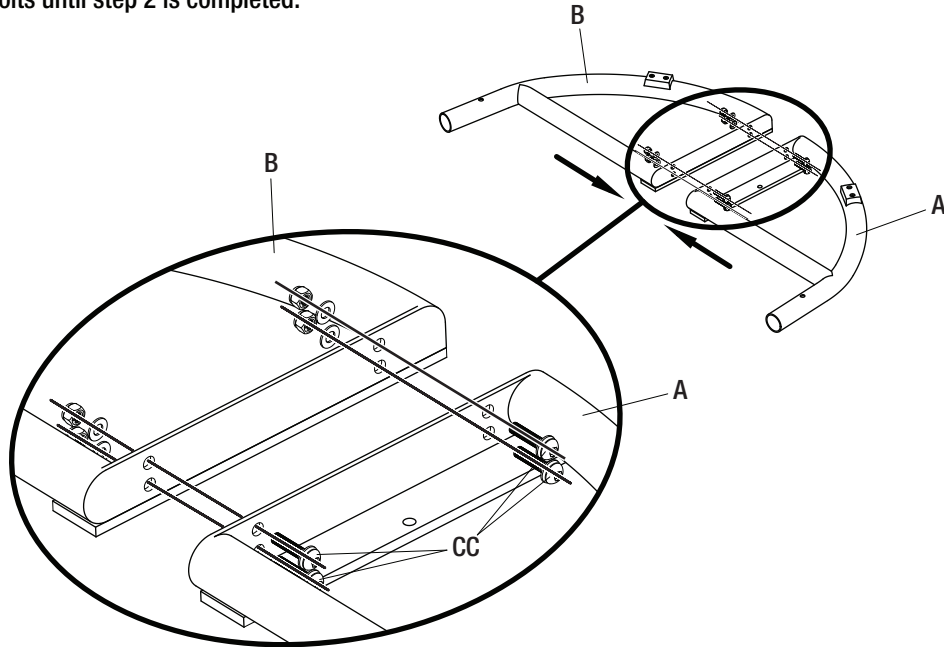


Part	Description	Quantity
A	Right Base	1
B	Left Base	1
C	Straight Base Tube	2
D	Lower Hanging Bar	1
E	Upper Hanging Bar	1
F	Basket	1
G	Back Cushion	1
H	Seat Cushion	1
I	Safety Rope	1

# Assembly

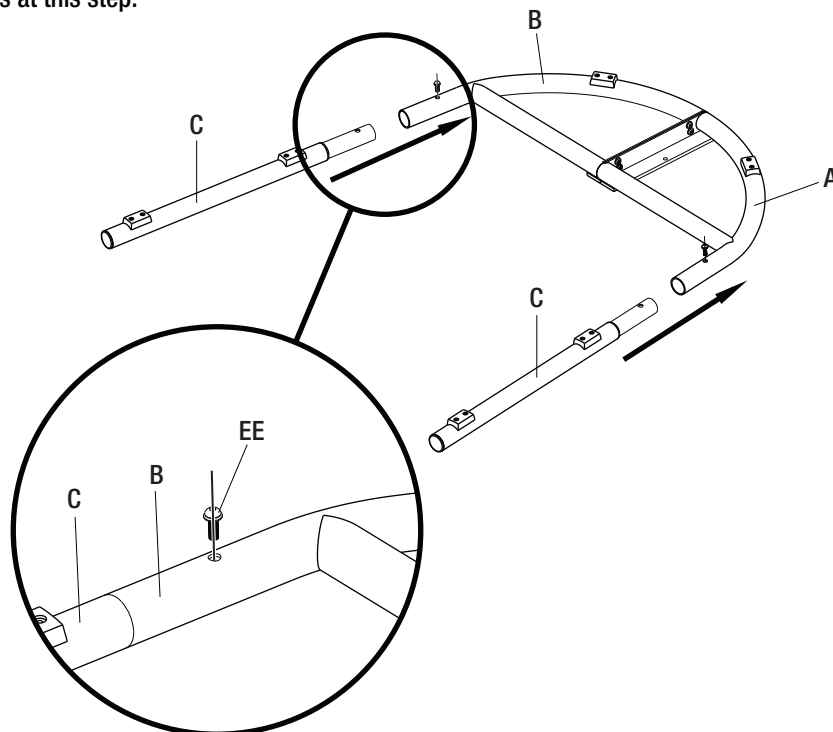
## 1 Connecting The Right Base To The Left Base

- Place the right base (A) and the left base (B) upside down on a soft surface.
- Attach the right base (A) to the left base (B) using M8x20 combination bolts (CC).
- Do not tighten all the bolts until step 2 is completed.



## 2 Connecting The Straight Base Tubes To The Right Base And The Left Base

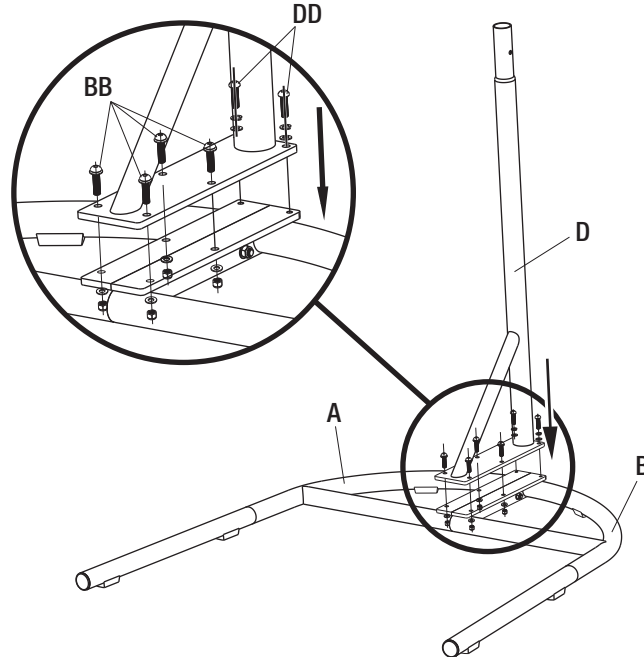
- Insert the straight base tubes (C) to the right base (A) and left base (B) using M6x15 combination bolts (EE).
- Fully tighten all the bolts at this step.



## Assembly (continued)

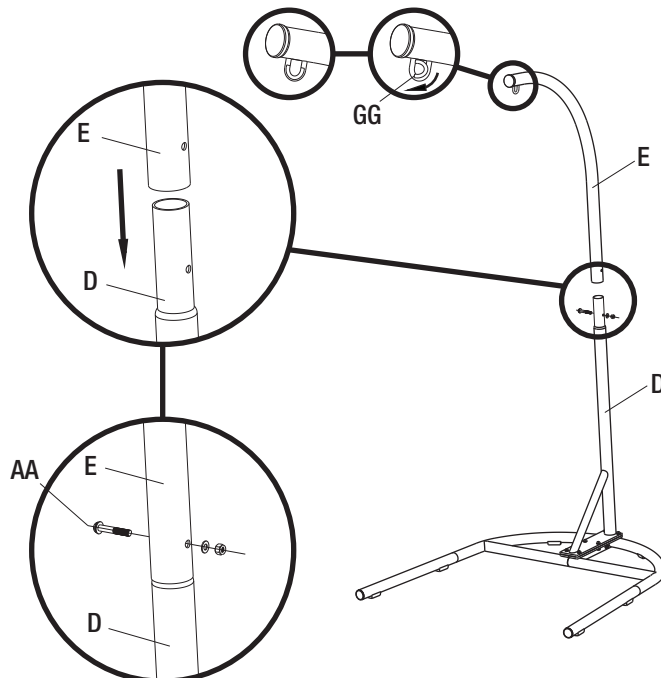
### 3 Attaching The Lower Hanging Bar To The Assembled Base

- Turn the assembled base right side up.
- Attach the lower hanging bar (D) to the assembled base using M8x20 bolts, spring washers and washers (DD) and M8x30 combination bolts (BB).
- Fully tighten all the bolts at this step.



### 4 Insert The Upper Hanging Bar Into The Lower Hanging Bar And Put On The Plastic Muffler

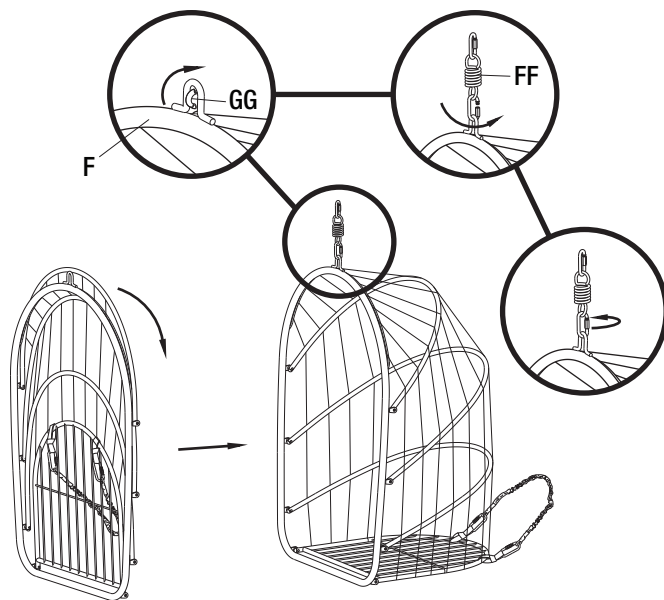
- Insert the upper hanging bar (E) into the lower hanging bar (D) using an M8x60 combination bolt (AA).
- Put the plastic muffler (GG) on the upper hanging bar (E) and fit by rotating it.



## Assembly (continued)

### 5 Put On The Plastic Muffler And Attach The Hook To The Basket

- Place the basket (F) right side up on a soft surface and unfold.
- Put the plastic muffler (GG) on the basket (F) and fit by rotating, as shown below.
- Loosen the one side of the hook (FF) by turning clockwise, attach to the basket (F) and tighten it counterclockwise.

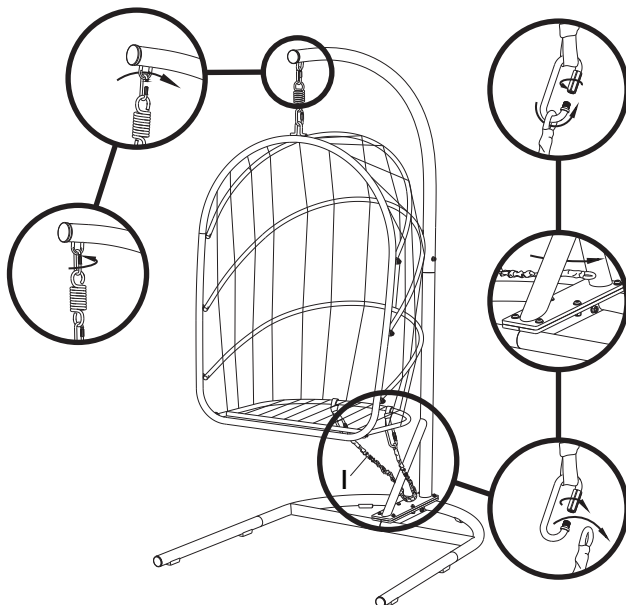


### 6 Attach The Basket To Upper Hanging Bar And Attach The Safety Rope

- Loosen the other side of the hook (FF) clockwise, attach it to the upper hanging bar (E) and tighten it counterclockwise.
- Loosen the safety rope on the seat of the basket by turning counterclockwise, put the safety rope (I) through the lower hanging bar (D) and tighten the safety rope (I) back clockwise, as shown below.



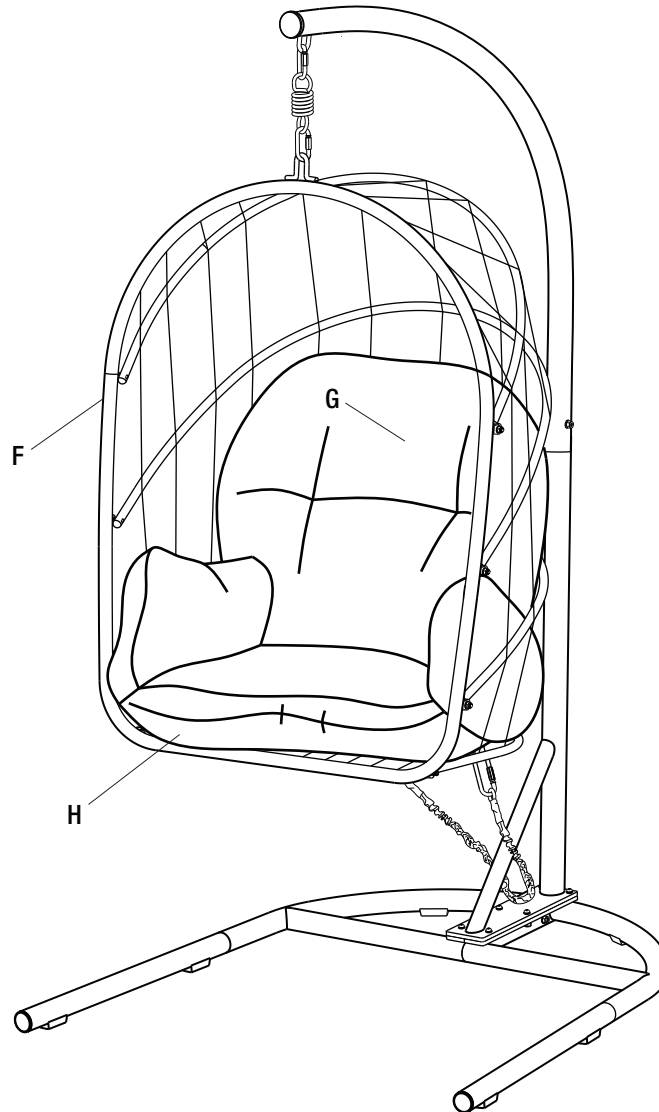
**NOTE:** Always use caution. The safety rope (I) must be properly attached before using this egg chair.



## Assembly (continued)

### 7 Checking The Egg Chair

- Put the back cushion (G) and the seat cushion (H) into the basket (F).
- Ensure that all connections are secure before use.



## Care and Cleaning

- For best results, clean the frame and cushions with a damp cloth and dry thoroughly. This will help prevent mildew by removing dirt particles that may accumulate.
- Do not clean with abrasive materials, bleach or solvents.
- Store the chair in a dry sheltered place when not in use.
- Keep the chair out of fire, extreme heat, freezing conditions, and inclement weather such as rain, hail, sleet, snow, or wind.



# HAMPTON BAY<sup>®</sup>

Questions, problems, missing parts? Before returning to the store,  
call Hampton Bay Customer Service  
8 a.m. – 7 p.m., EST, Monday – Friday, 9 a.m. – 6 p.m., EST, Saturday

**1-855-HD-HAMPTON**

**HOMEDEPOT.CA**

Retain this manual for future use.

For certification use only
Factory ID# GCS09120C