

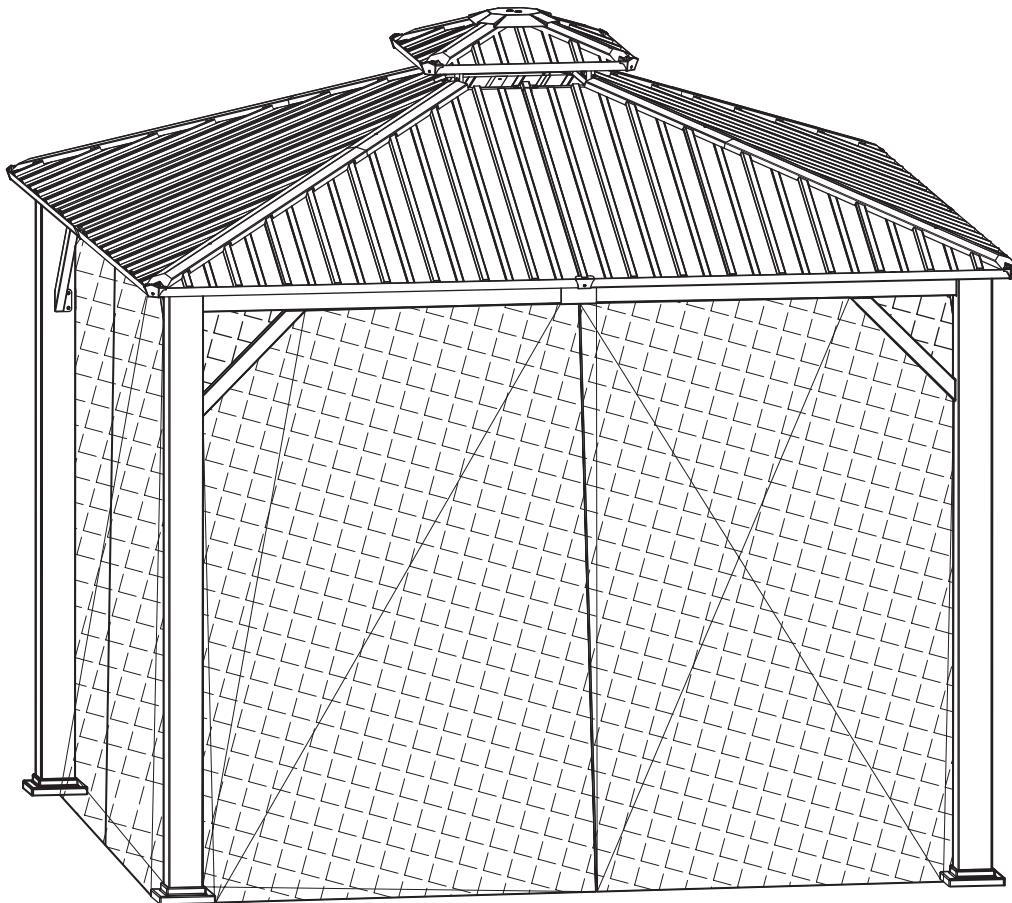
Item #0000 000 000  
Model #GFM30731E

# HAMPTON BAY®

## USE AND CARE GUIDE

---

### LORSTON 12 X 12 FT GAZEBO



Questions, problems, missing parts? Before returning to the store,  
call Hampton Bay Customer Service  
8 a.m. - 7 p.m., EST, Monday – Friday, 9 a.m. – 6 p.m., EST, Saturday

**1-855-HD-HAMPTON**

**HOMEDEPOT.CA**

---

#### **THANK YOU**

*We appreciate the trust and confidence you have placed in Hampton Bay through the purchase of this gazebo. We strive to continually create quality products designed to enhance your home. Visit us online to see our full line of products available for your home improvement needs. Thank you for choosing Hampton Bay!*

# Table of Contents

Table of Contents . . . . .	2	Pre-Assembly . . . . .	3
Important Safety Instructions . . . . .	2	Planning Assembly . . . . .	3
Save These Instructions . . . . .	2	Hardware Included . . . . .	3
Read All Instructions Before Use . . . . .	2	Package Contents . . . . .	4
Warranty . . . . .	3	Assembly . . . . .	6
What is covered . . . . .	3	Care and Cleaning . . . . .	29
What is not covered . . . . .	3		

## Important Safety Instructions

### SAVE THESE INSTRUCTIONS



**WARNING:** THIS GAZEBO WAS MADE FOR THE EXPLICIT PURPOSE OF PROVIDING OUTDOOR FUNCTIONS AND IS NOT TO BE USED AS A TOY. THIS PRODUCT IS INTENDED FOR NORMAL OUTDOOR USE; HOWEVER, THE MANUFACTURER RECOMMENDS STORING AND/OR COVERING THIS PRODUCT WHEN ANY FORMIDABLE/SEVERE WEATHER IS APPROACHING.



**WARNING:** DO NOT LOCATE THIS PRODUCT NEAR OPEN FLAMES. DO NOT USE THIS PRODUCT AS A SUPPORT. DO NOT SHAKE, LEAN OR CLIMB ON THE PRODUCT. CHILDREN UNDER THE AGE OF 10, NEAR THE PRODUCT, SHOULD BE SUPERVISED BY A COMPETENT ADULT AT ALL TIMES. THIS PRODUCT IS NOT INTENDED FOR COMMERCIAL USE AND WILL VOID THE WARRANTY.

### READ ALL INSTRUCTIONS BEFORE USE

To reduce the risk of injury to persons:

1. Close supervision is necessary when this furnishing is used by or near children, or disabled persons, if applicable.
2. Use this furnishing only for its intended use as described in these instructions. Do not use attachments not recommended by the manufacturer.
3. Do not move the gazebo while it in use. Failure to obey this caution could result in injury.



**CAUTION:** When not in use, secure the product in a cool and covered location.



**CAUTION:** Do not locate the product near any heat sources or open flame.



**CAUTION:** This gazebo is made for the explicit purpose of providing limited outdoor sunshade and is not to be used as a toy, shelter, or tent.



**CAUTION:** Children under the age of 10 who are near the gazebo should be supervised by a competent adult at all times.



**WARNING:** Keep all flame and heat sources away from this gazebo fabric.



**WARNING:** This gazebo unit is heavy, and may require two adults for safe assembly.



**WARNING:** The application of any foreign substance to the gazebo fabric may render the flame resistant properties ineffective.



**WARNING:** Do not place heavy objects on the gazebo.



**WARNING:** This gazebo is made with fabric that meets CPAI - 84 specifications for flame resistance. It is not fire proof. The fabric will burn if left in continuous contact with any flame source.



**WARNING:** Please keep children out of the assembly area before assembly.



**WARNING:** Never use this product as a support. Do not shake, lean, or climb on the product at any time.

# Warranty

## 1 YEAR FRAME AND 1 YEAR FABRIC WARRANTY

### WHAT IS COVERED

We warrant the frames to be free of manufacturing defects to the original purchaser for one year, and a one year warranty for the fabric.

### WHAT IS NOT COVERED

It remains the customer's responsibility for freight and packaging charges to and from our service center. This warranty does not cover commercial use, hardware, acts of nature, fire, freezing and abusive use. In addition, purchased parts are not covered under this warranty. We reserve the right to make substitutions with similar merchandise, if the model in question is no longer in production.

Contact the Customer Service Team at 1-855-HD-HAMPTON or visit [www.HOMEDEPOT.CA](http://www.HOMEDEPOT.CA).

# Pre-Assembly

## PLANNING ASSEMBLY

Read all instructions before assembly.

To avoid damaging this product, assemble it on a soft, non-abrasive surface such as carpet or cardboard.

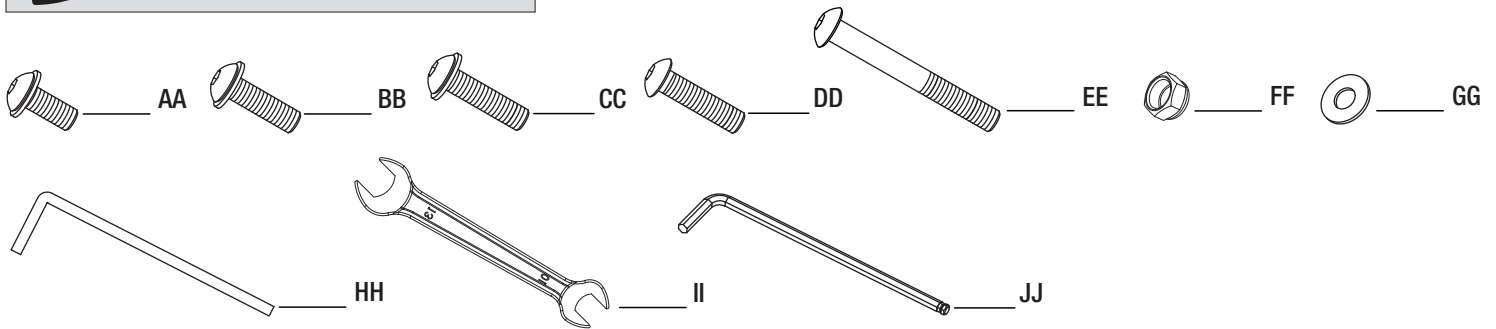


**NOTE:** More than one person may be required to assemble this product.

## HARDWARE INCLUDED



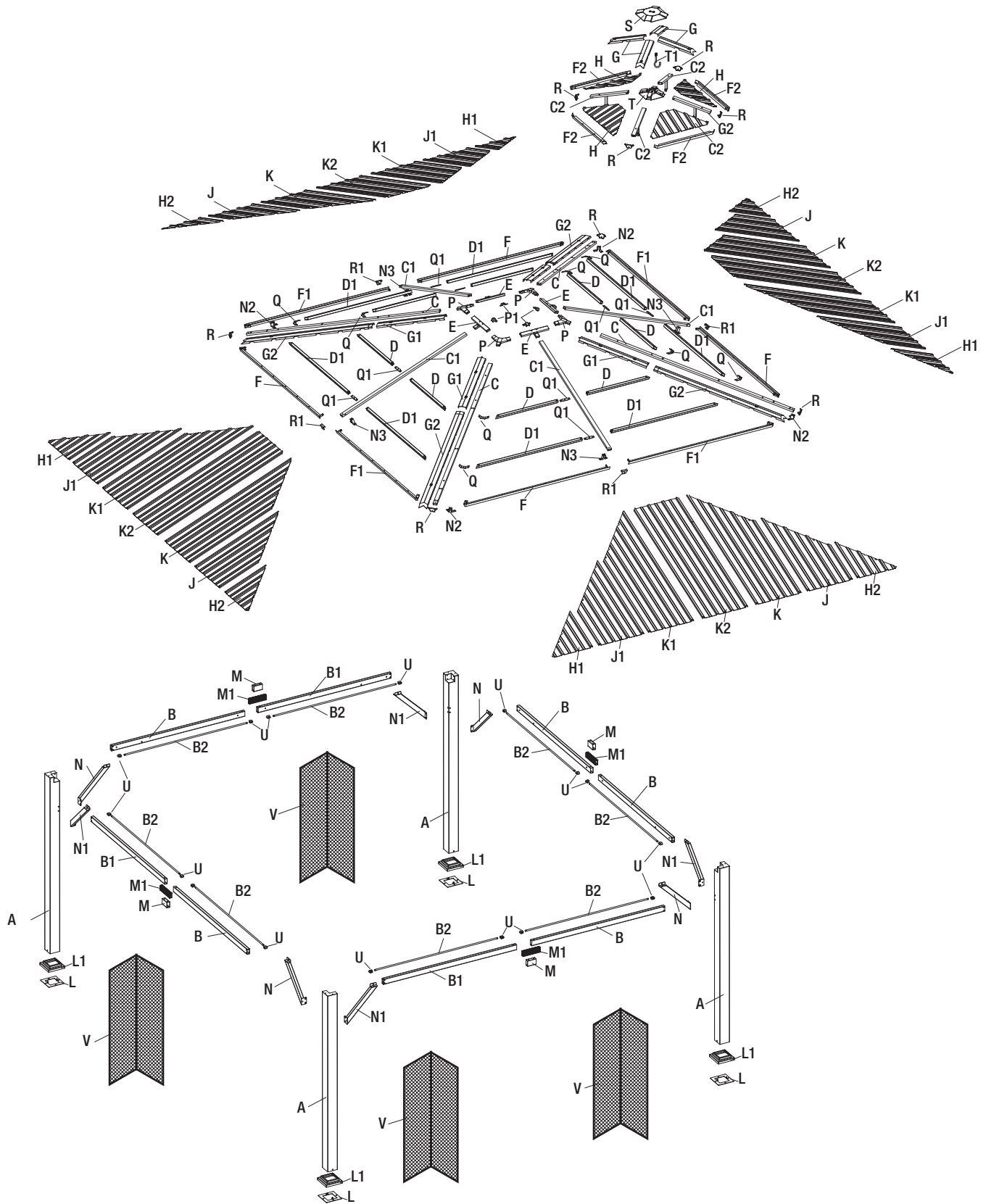
**NOTE:** Hardware not shown to actual size.



Part	Description	Quantity
AA	M6x15 Combination Bolt	184+1
BB	M6x30 Combination Bolt	26+1
CC	M6x40 Combination Bolt	32+1
DD	M6x40 Bolt	16+1
EE	M6x75 Combination Bolt	8+1
FF	M6 Nut	8+1
GG	Plastic Washer	2+1
HH	Ground Spike	8+1
II	Wrench	1
JJ	Hex Wrench	2

# Pre-Assembly (continued)

## PACKAGE CONTENTS



# Pre-Assembly (continued)

## PACKAGE CONTENTS (CONTINUED)

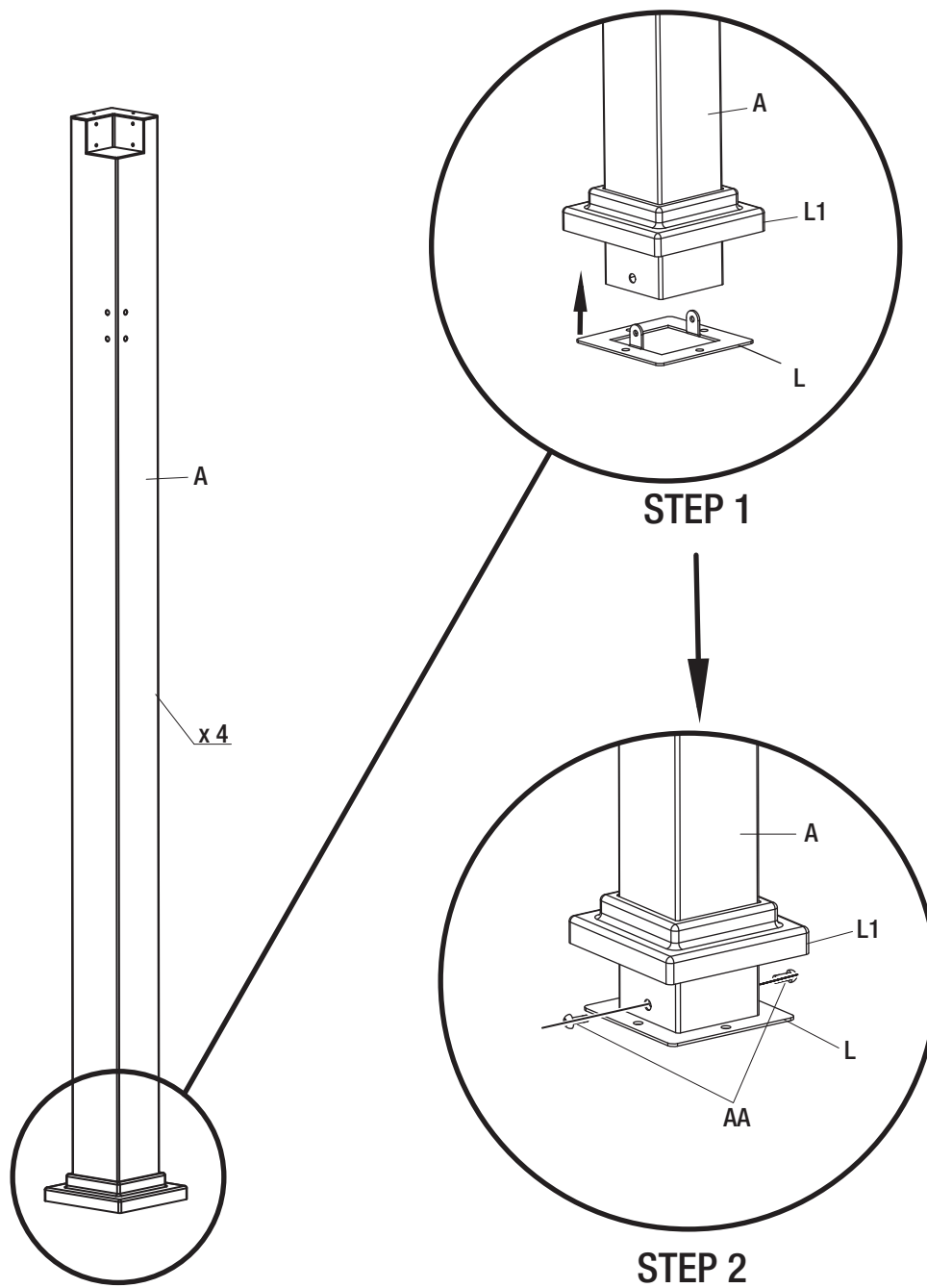
Part	Description	Quantity
A	Post	4
B	Long Beam 1	4
B1	Long Beam 2	4
B2	Fabric Rod	8
C	Corner Incline Tube	4
C1	Middle Incline Tube	4
C2	Top Corner Incline Tube	4
D	Short Horizontal Tube	8
D1	Long Horizontal Tube	8
E	Top Frame Tube	4
F	Border Tube 1	4
F1	Border Tube 2	4
F2	Top Border Tube	4
G	Top Cover Plate	4
G1	Cover Plate 1	4
G2	Cover Plate 2	4
H	Metal Plate 1	4
H1	Metal Plate 2	4
H2	Metal Plate 3	4
J	Metal Plate 4	4
J1	Metal Plate 5	4
K	Metal Plate 6	4

Part	Description	Quantity
K1	Metal Plate 7	4
K2	Metal Plate 8	4
L	Post Base Plate	4
L1	Post Base Cap	4
M	Beam Decorator	4
M1	Beam Lining	4
N	Right Corner Support Bar	4
N1	Left Corner Support Bar	4
N2	Corner Fitting	4
N3	Middle Fitting	4
P	Top Frame Plug	4
P1	Metal Plate Cover Component	4
Q	Incline Connecting Plate	8
Q1	Middle Connecting Plate	8
R	Incline Outer Metal Part	8
R1	Border Tube Outer Metal Part	4
S	Top Plate	1
T	Bottom Plate	1
T1	Hook	1
U	Fabric Rod Cap	16
V	Netting	4
W	Split Ring	48+1

# Assembly

## 1 Attaching The Post Base Cap And The Post Base Plate To The Post

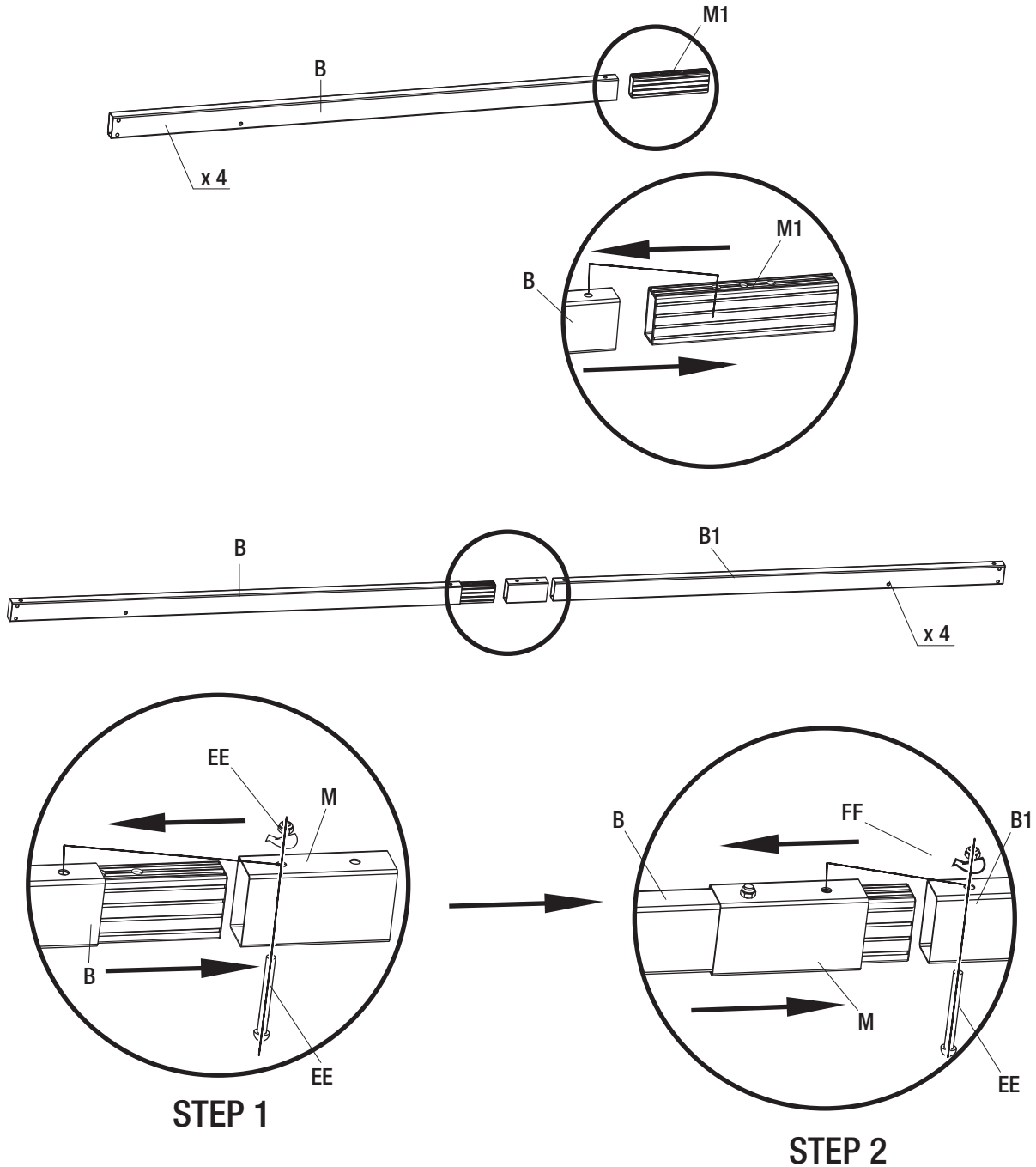
- Attach the post base cap (L1) and the post base plate (L) to the posts (A) using M6x15 combination bolts (AA).
- Repeat this step for the other three posts (A).
- Fully tighten the bolts using the hex wrench (JJ).



## Assembly (continued)

### 2 Attaching The Long Beam 1 And Long Beam 2 To The Beam Lining And The Beam Decorator

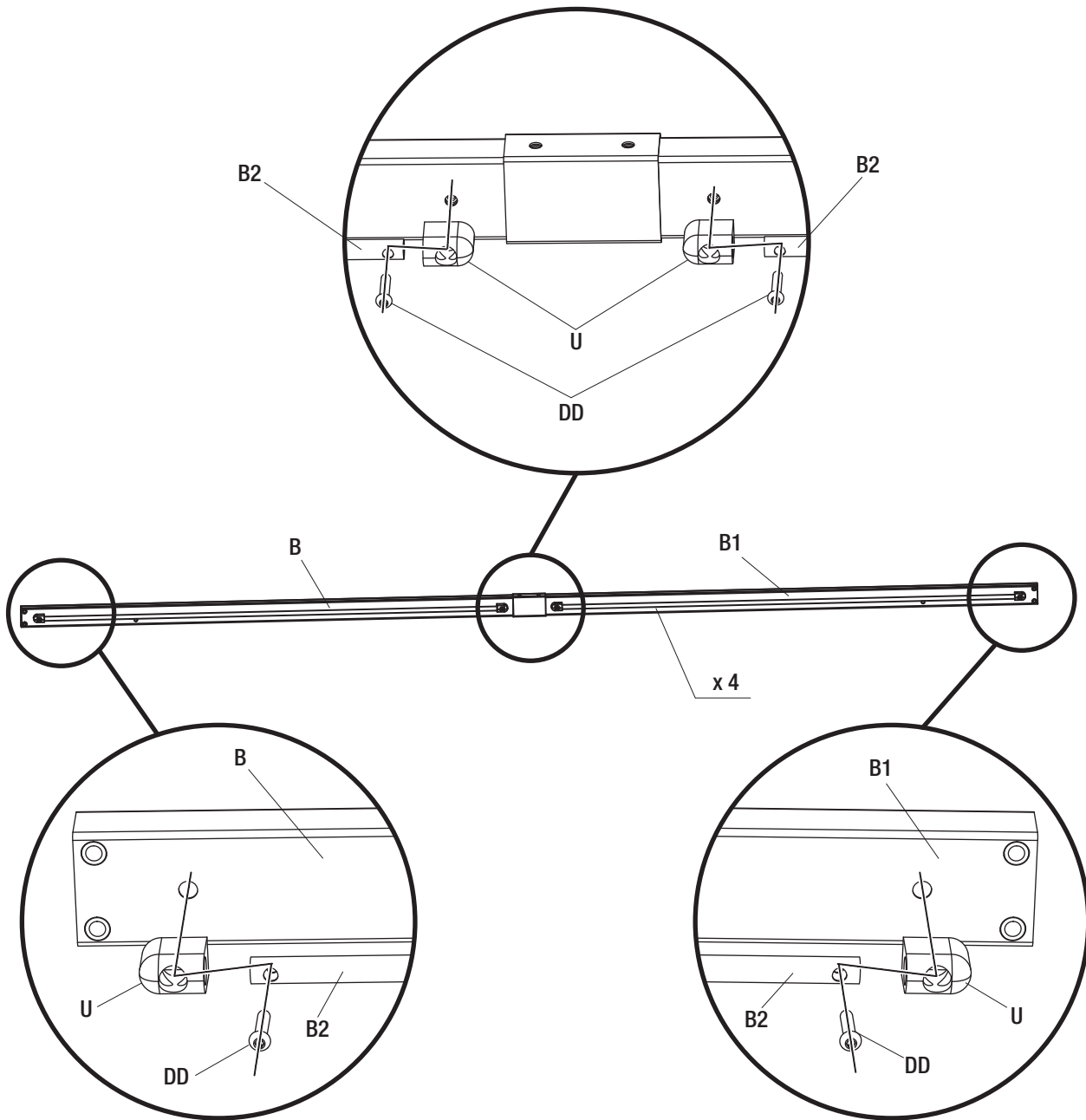
- Attach the long beam 1 (B) and long beam 2 (B1) to the beam lining (M1).
- Attach the long beam 1 (B) and long beam 2 (B1) to the beam decorator (M) by using M6x75 combination bolts (EE) and M6 nuts (FF).
- Do not fully tighten all the bolts at this step.



## Assembly (continued)

### 3 Attaching The Fabric Rod To The Assembled Long Beam

- Insert fabric rod (B2) into fabric rod cap (U), then attach to the assembled long beam (B1 & B2) by using M6x40 bolts (DD).
- Do not fully tighten all the bolts at this step.

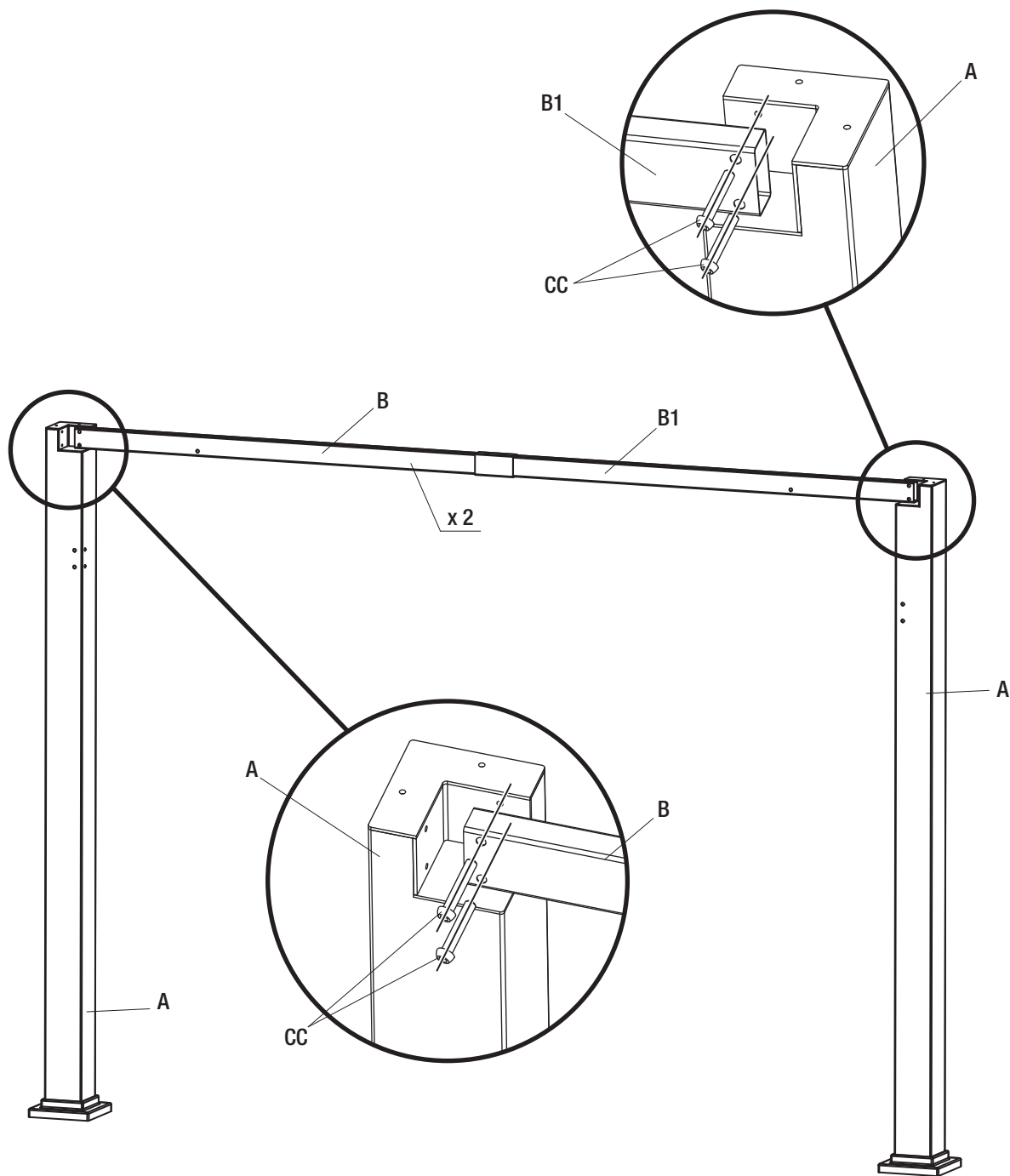




## Assembly (continued)

### 4 Attaching The Assembled Long Beam To The Post

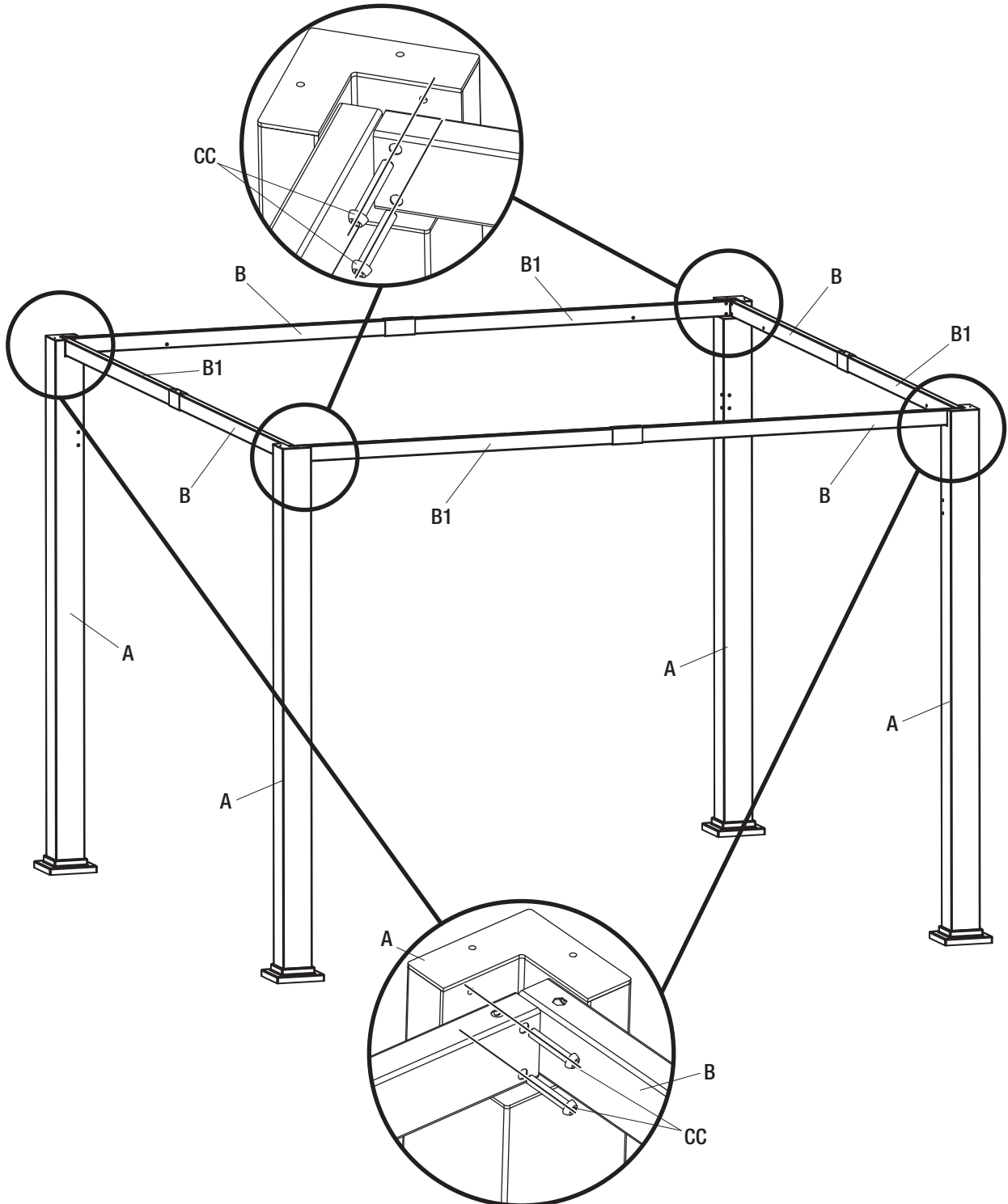
- Attach the assembled long beam (B & B1) to the two posts (A) using M6x40 combination bolts (CC).
- Repeat this step for the other two posts (A).
- Do not fully tighten all the bolts at this step.



## Assembly (continued)

### 5 Connecting The Assembled Long Beam To The Assembled Post

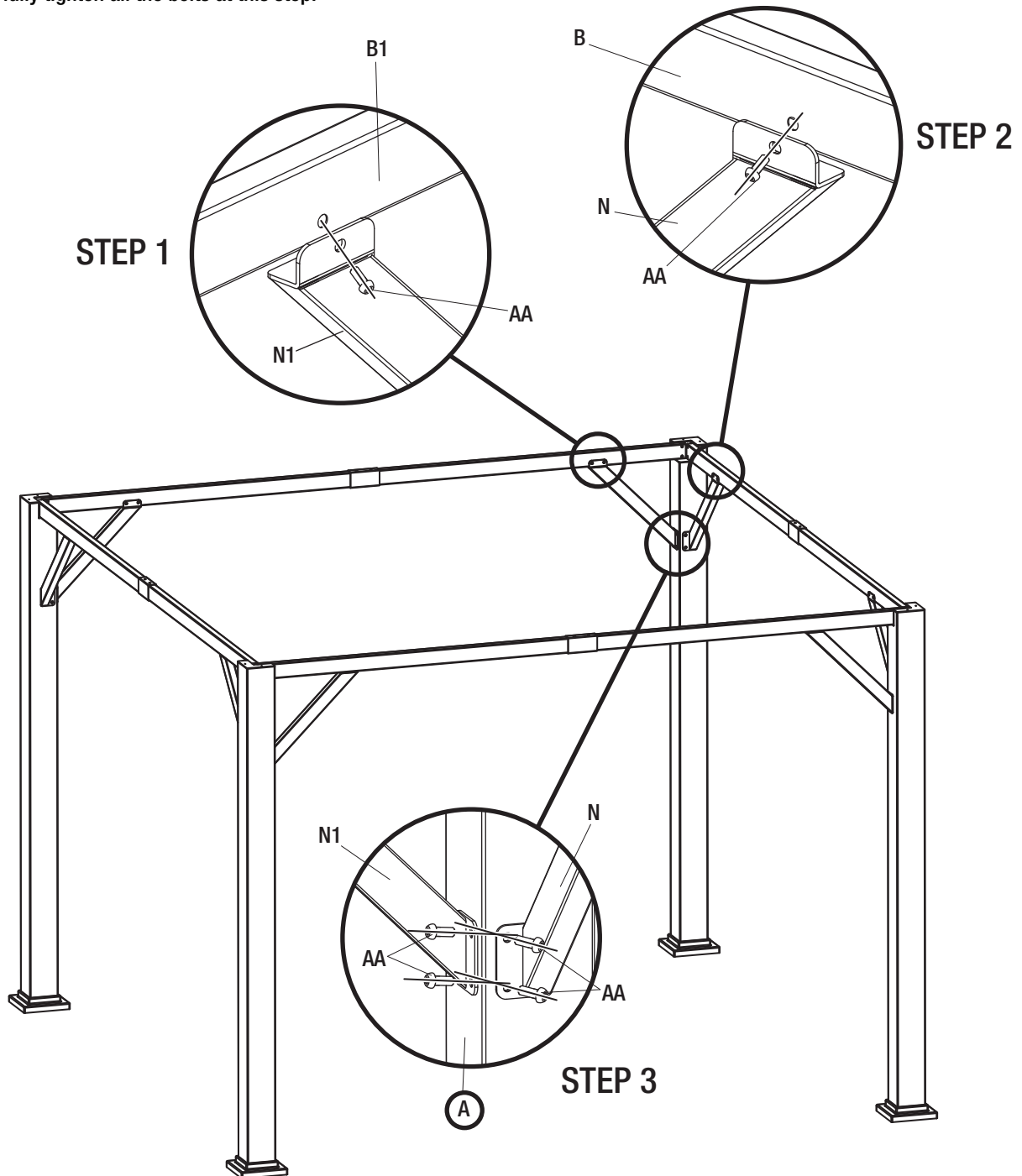
- Attach the assembled long beam (B & B1) to the assembled posts (A) using M6x40 combination bolts (CC) as shown below.
- Do not fully tighten all the bolts at this step.



## Assembly (continued)

### 6 Attaching The Support Bar To The Beam And The Post

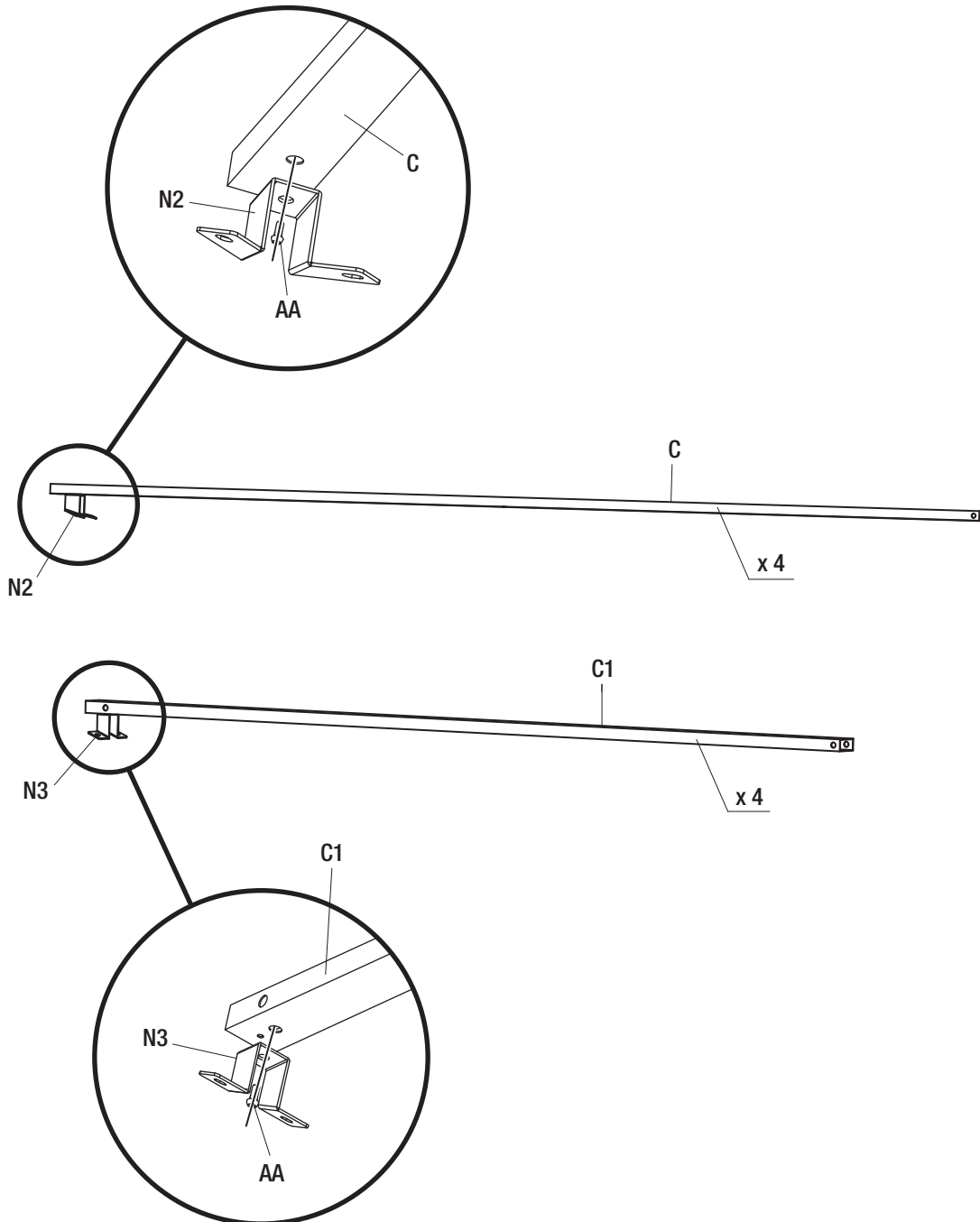
- Attach the left corner support bar (N1) to the long beam 2 (B1) by using M6x15 combination bolts (AA).
- Attach the right corner support bar (N) to the long beam1 (B) by using M6x15 combination bolts (AA).
- Attach the other end of the left corner support bar (N1) and the other end of the right corner support bar (N) to the posts (A) using M6x15 combination bolts (AA) as shown below.
- Do not fully tighten all the bolts at this step.



## Assembly (continued)

### 7 Attaching The Corner Fitting To The Corner Incline Tube, Attaching The Middle Fitting To The Middle Incline Tube

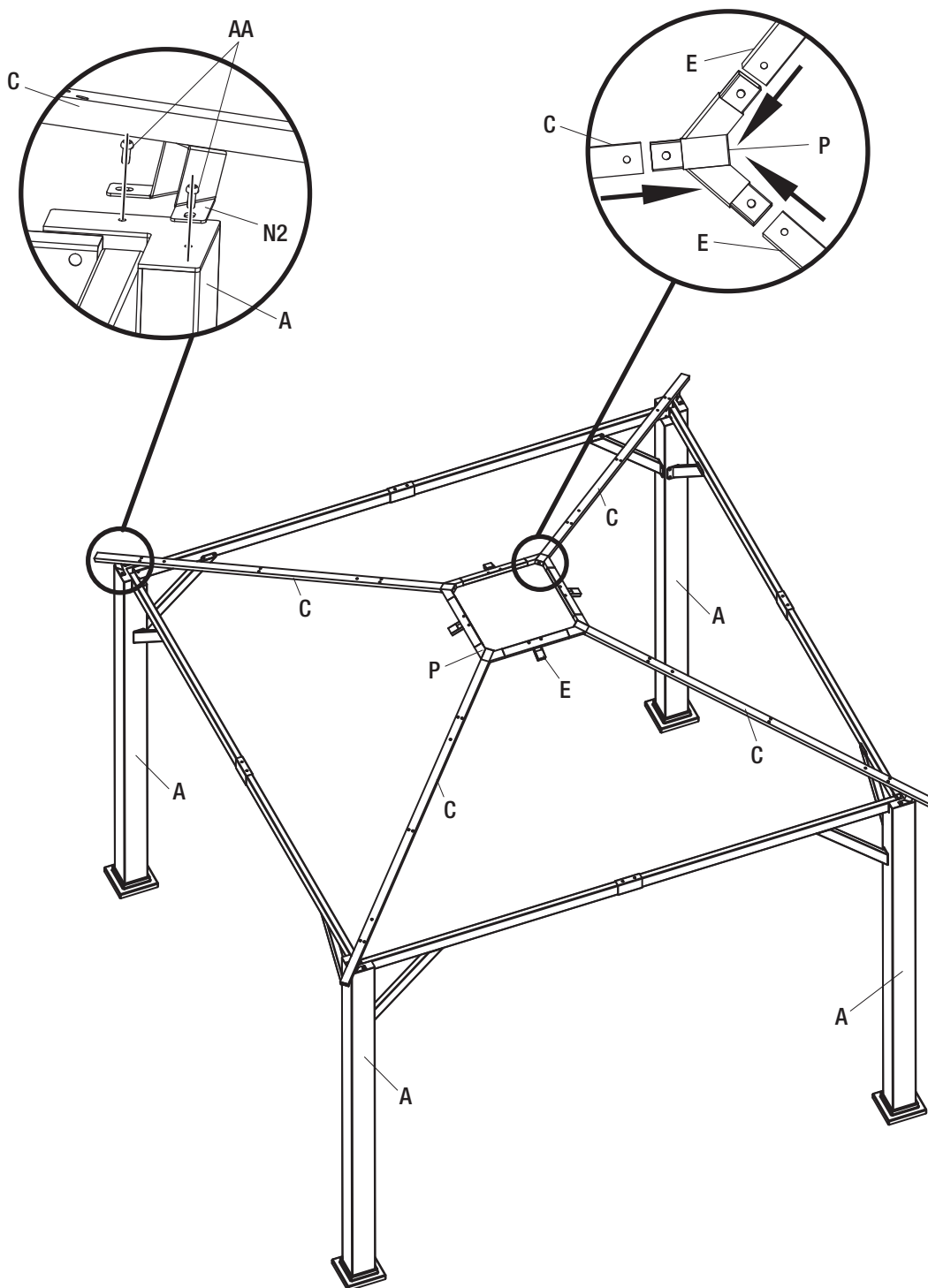
- Attach the corner fitting (N2) to the corner incline tube (C) using M6x15 combination bolt (AA).
- Attach the middle fitting (N3) to the middle incline tube (C1) using M6x15 combination bolt (AA).
- Repeat this step for the other three corner incline tubes (C) and the other three middle incline tubes (C1).
- Do not fully tighten all the bolts at this step.



## Assembly (continued)

### 8 Attaching The Corner Incline Tube To The Post And The Top Frame Tube

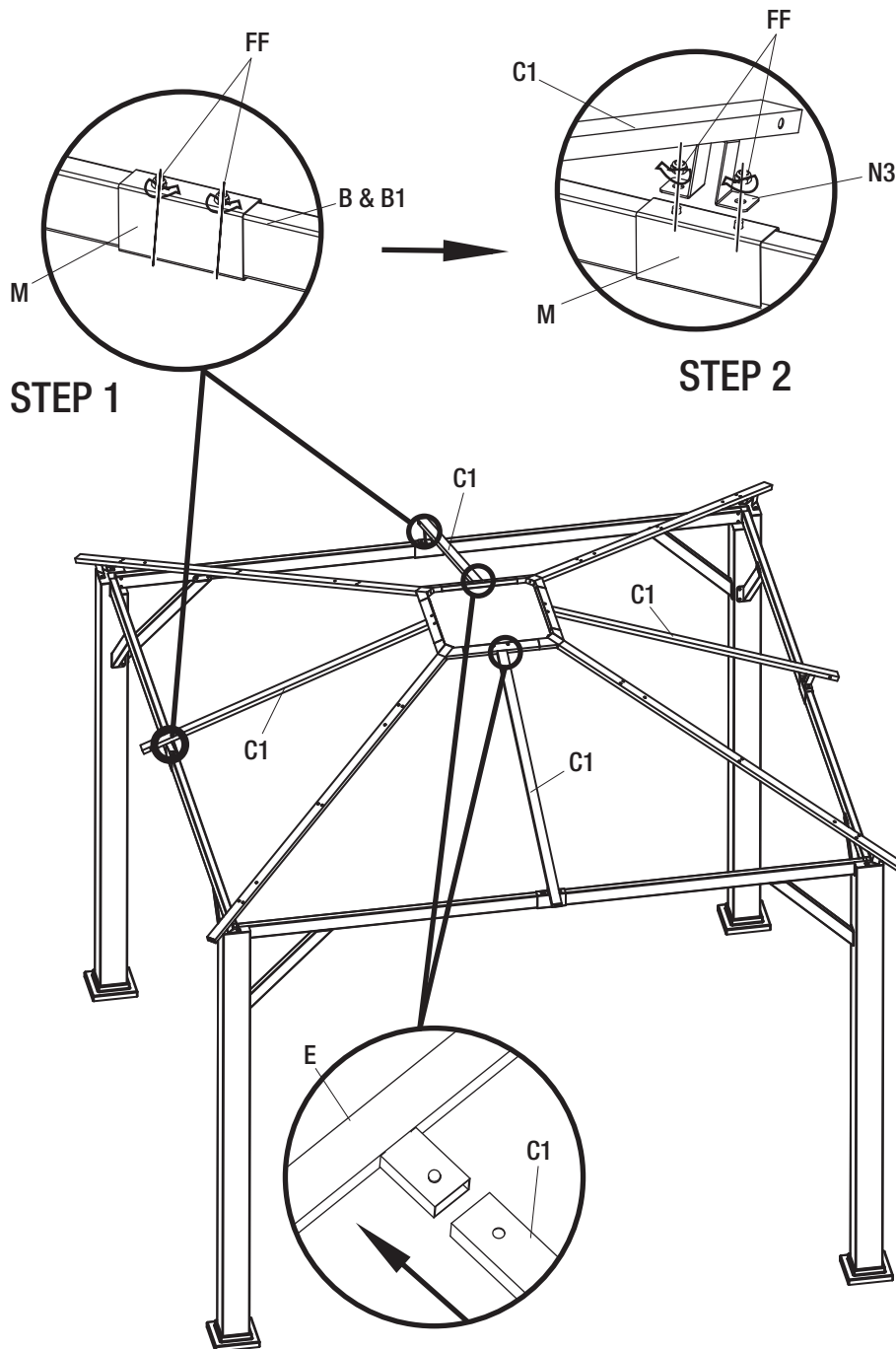
- Attach the corner incline tube (C) to the post (A) by using M6x15 combination bolts (AA) through the corner fitting.
- Insert the top frame plug (P) into the corner incline tube (C) and the top frame tube (E) as shown below.
- Do not fully tighten all the bolts at this step.



## Assembly (continued)

### 9 Attaching The Middle Incline Tube To The Beam And The Top Frame Tube

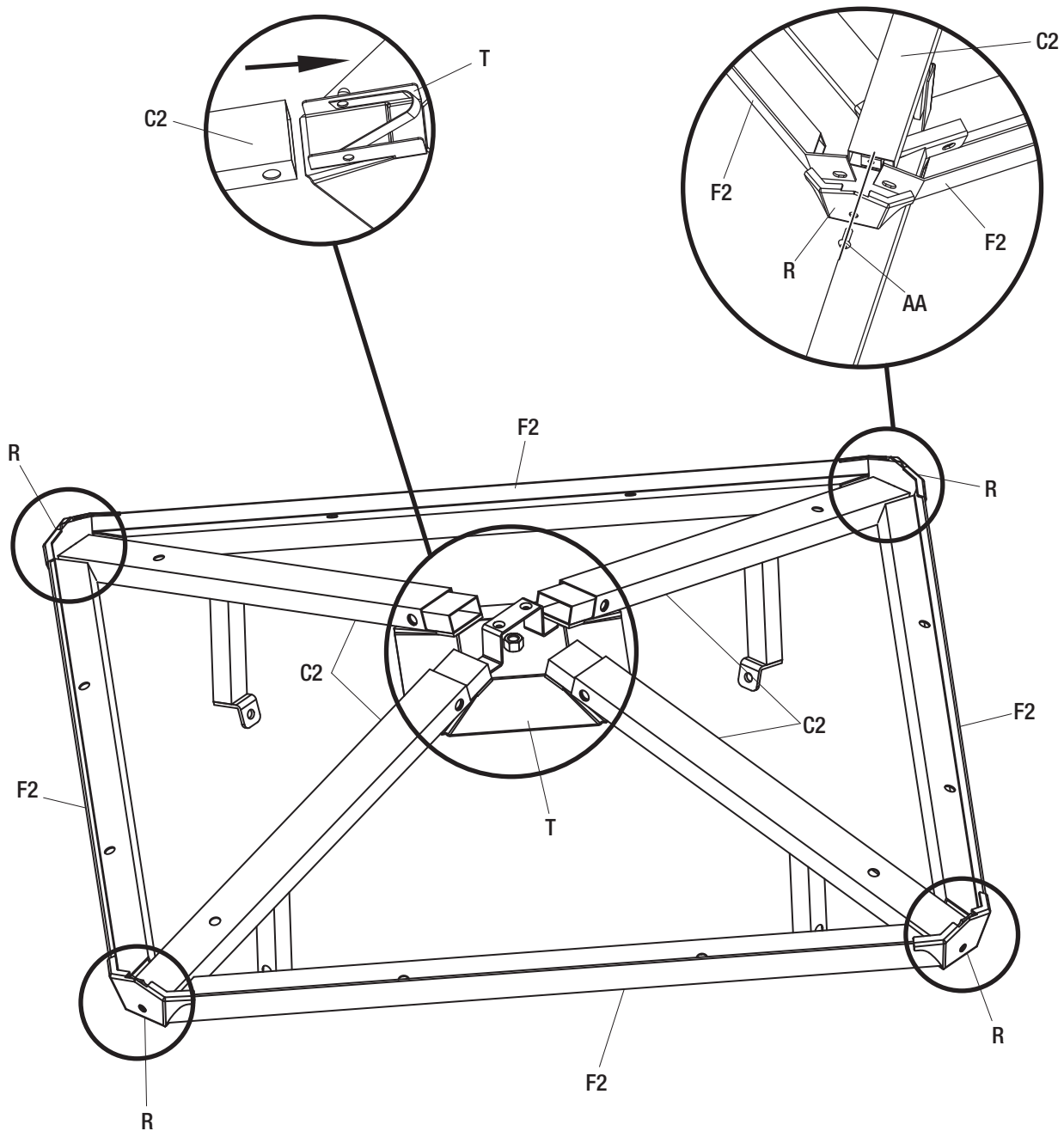
- Attach the middle incline tube (C1) to the assembled beam (B & B1) by using the M6 nuts (FF) through the middle fitting (N3.)
- Insert the middle incline tube (C1) into the top frame tube (E) as shown below.
- Do not fully tighten all the bolts at this step.



## Assembly (continued)

# 10 Attaching The Top Corner Incline Tube And The Top Border Tube To The Incline Outer Metal Part, Attaching The Top Corner Incline Tube To The Bottom Plate

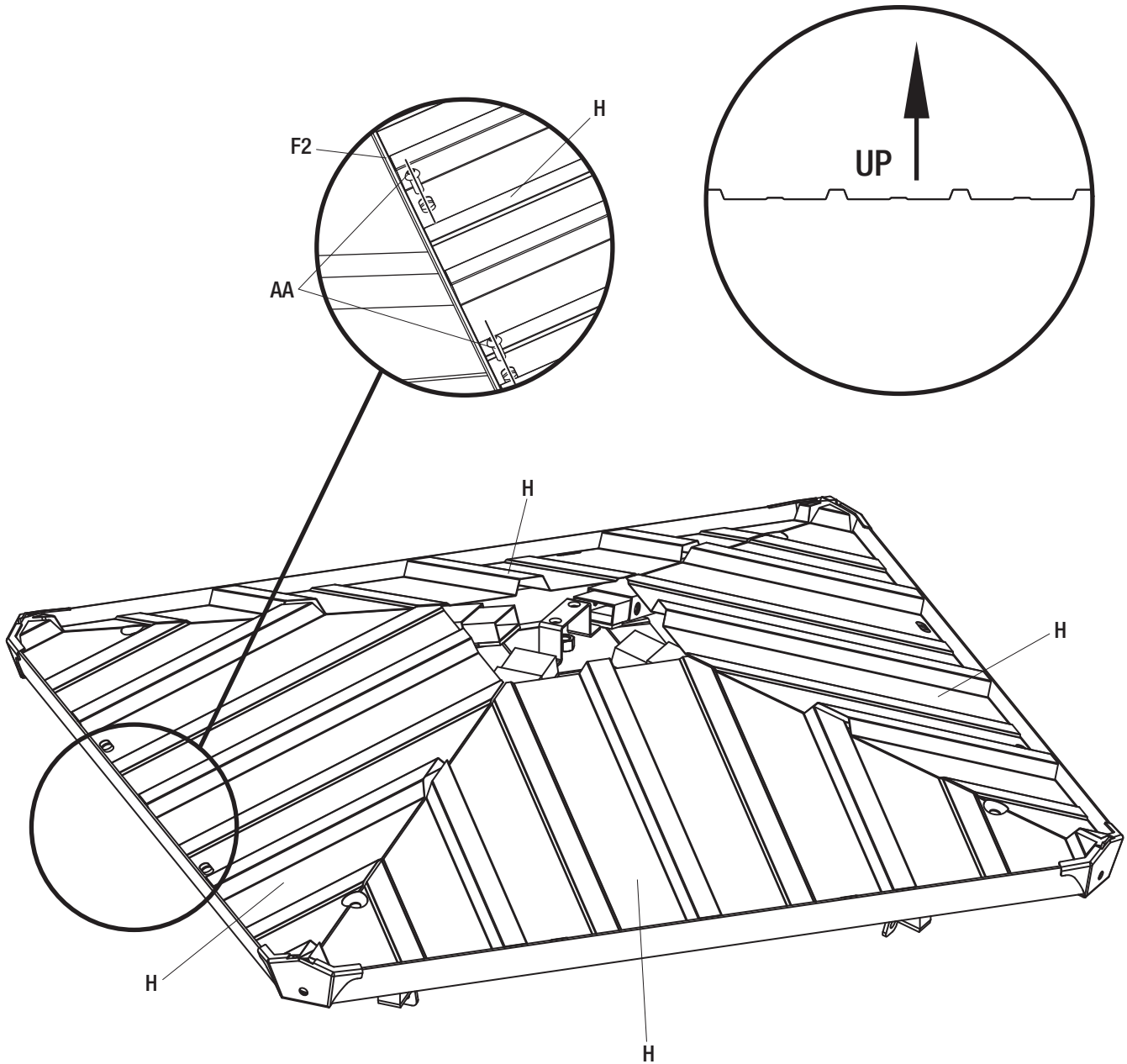
- Attach the top corner incline tube (C2) and the top border tube (F2) to the incline outer metal part (R) using the M6x15 combination bolt (AA) as shown below.
- Insert the top corner incline tube (C2) into the bottom plate (T).
- Do not fully tighten all the bolts at this step.



## Assembly (continued)

### 11 Attaching The Metal Plate 1 To The Top Border Tube

- Attach the metal plate 1 (H) to the top border tube (F2) using the M6x15 combination bolts (AA).
- Do not fully tighten all the bolts at this step.

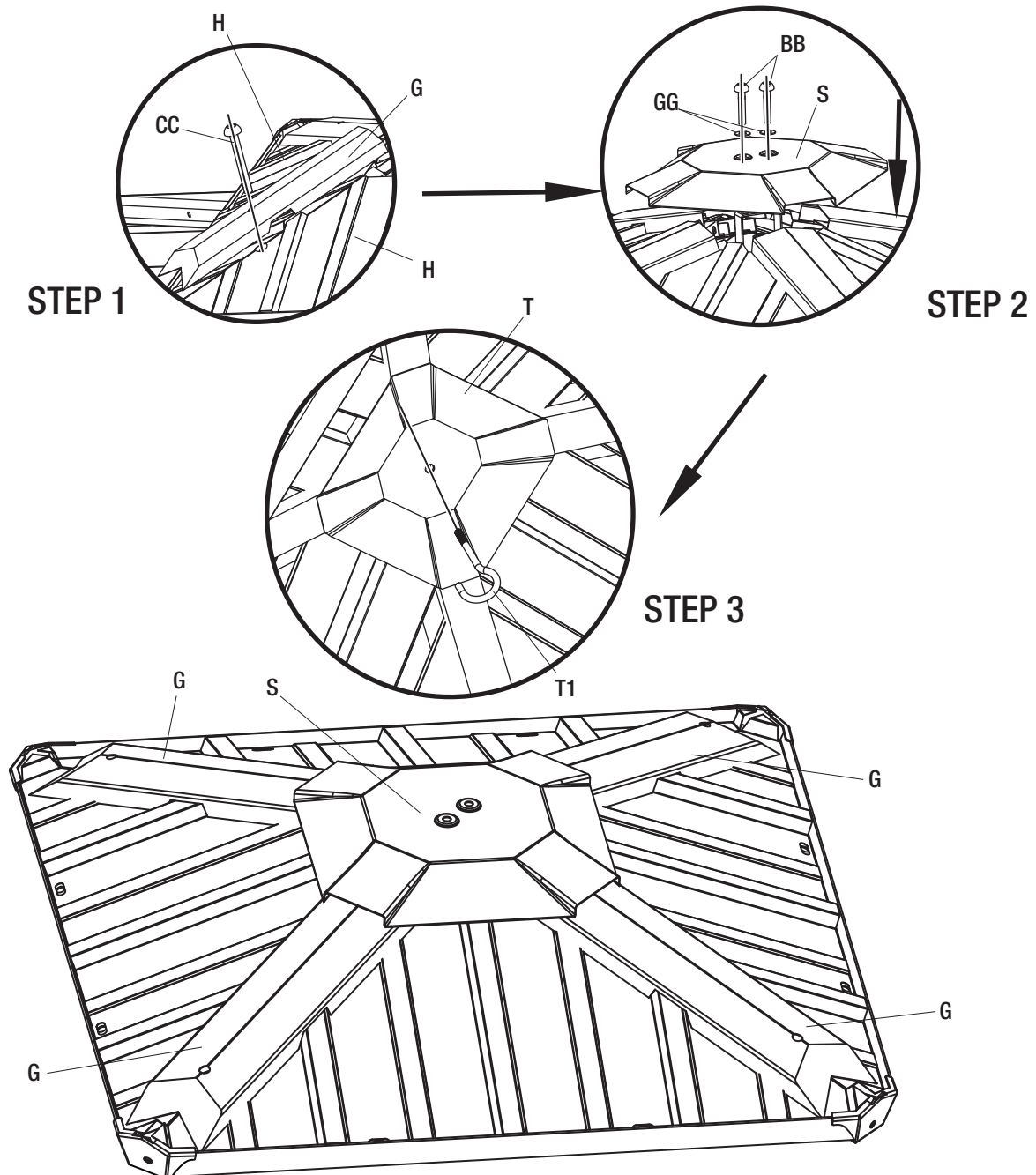




## Assembly (continued)

# 12 Attaching The Top Cover Plate And The Top Plate To Metal Plate 1, Attaching The Top Plate And The Hook To The Bottom Plate

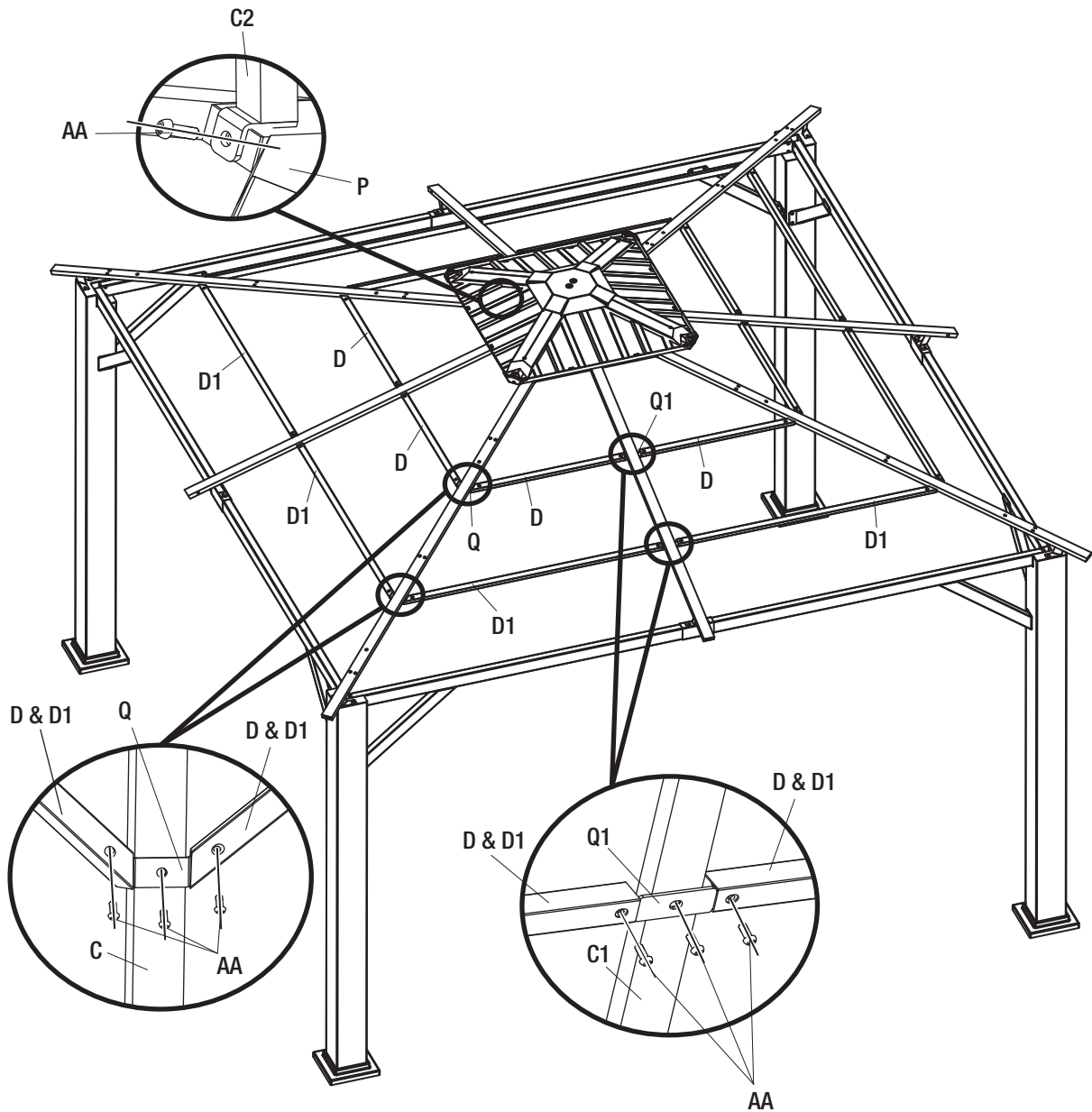
- Attach the top cover plate (G) to the metal plate 1 (H) using the M6x40 combination bolts (CC).
- Attach the top plate (S) to the bottom plate (T) by using the M6x30 combination bolt (BB) and plastic washer (GG).
- Screw the hook (T1) into the bottom plate (T).
- Do not fully tighten all the bolts at this step.



## Assembly (continued)

# 13 Attaching The Top Corner Incline Tube To The Top Frame Plug, Attaching The Horizontal Tube And The Incline Tube To The Connecting Plate

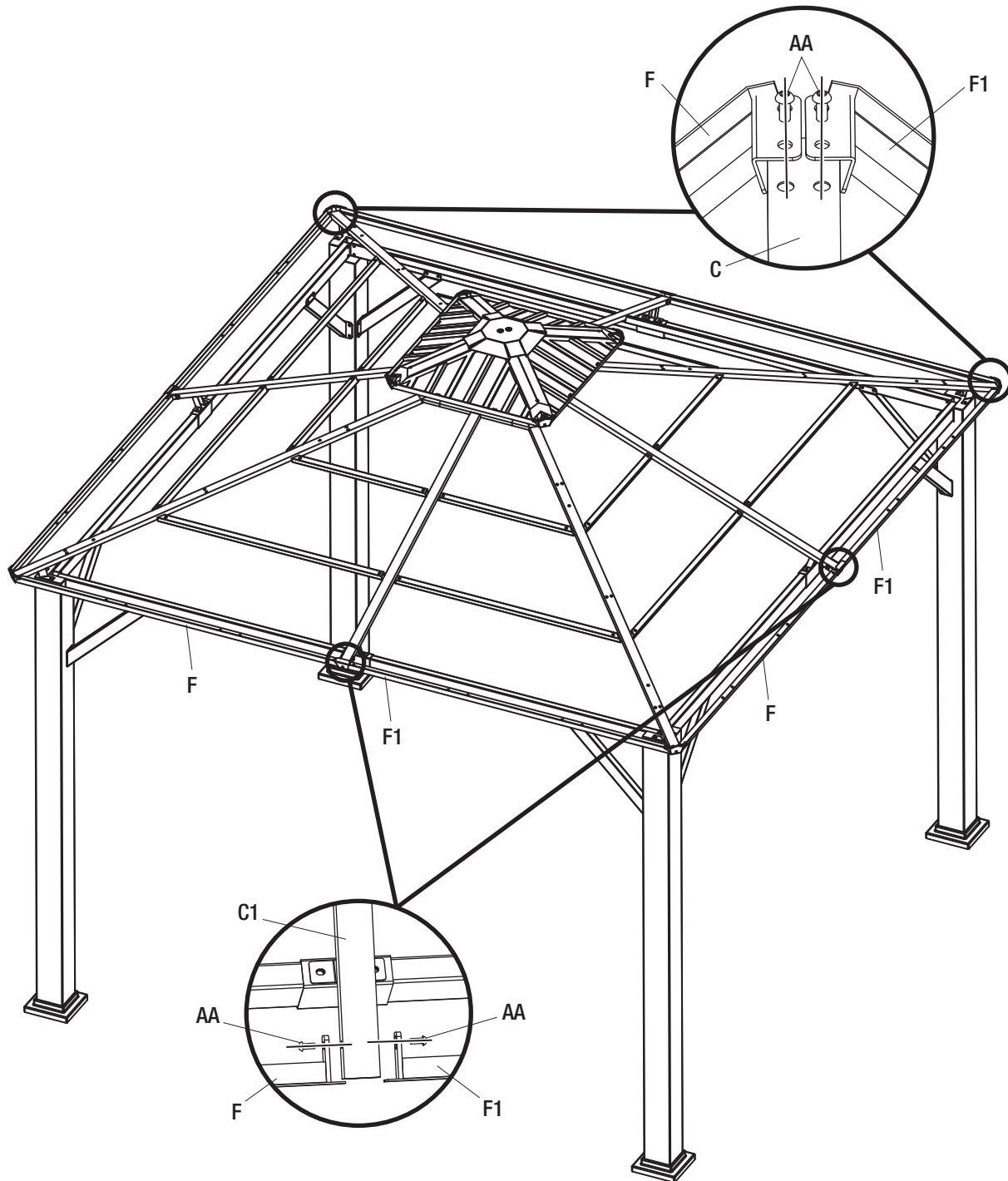
- Attach the top corner incline tube (C2) to the top frame plug (P) using the M6x15 combination bolts (AA).
- Attach the short horizontal tube (D), the long horizontal tube (D1) and the corner incline tube (C), to the incline connecting plate (Q) using the M6x15 combination bolt (AA).
- Attach the short horizontal tube (D), long horizontal tube (D1) and the middle incline tube (C1), to the middle connecting part (Q1) using the M6x15 combination bolt (AA).
- Do not fully tighten all the bolts at this step.



## Assembly (continued)

### 14 Attaching The Border Tube To The Incline Tube

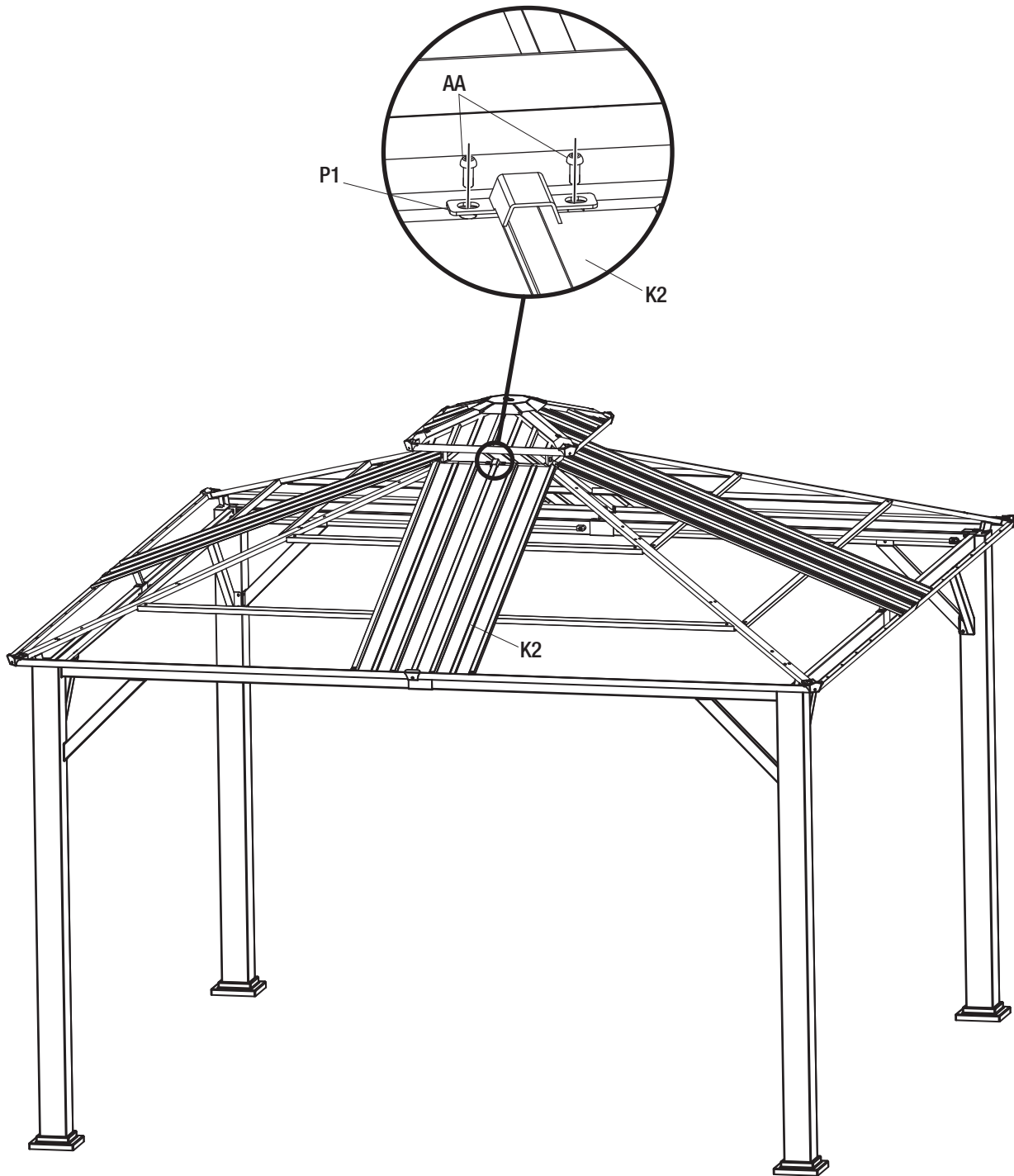
- Attach the border tube1 (F) and the border tube 2 (F1) to the corner incline tube (C) using the M6x15 combination bolts (AA).
- Attach the border tube1 (F) and the border tube 2 (F1) to the middle incline tube (C1) using the M6x15 combination bolts (AA).
- Do not fully tighten all the bolts at this step.



## Assembly (continued)

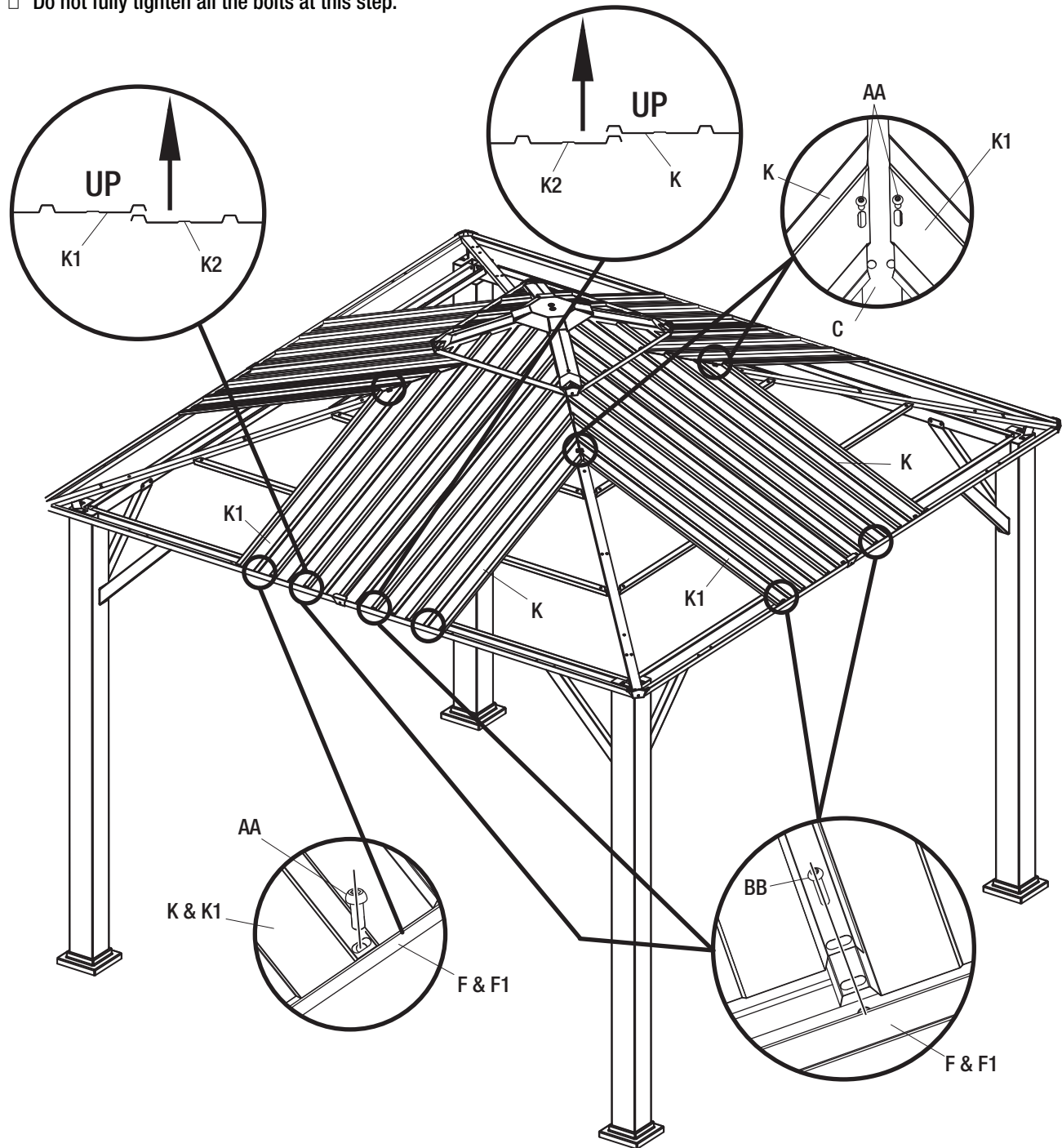
### 15 Attaching The Metal Plate Cover Component To The Metal Plate 8

- Attach metal plate cover component (P1) to the metal plate 8 (K2) to using the M6x15 combination bolts (AA).
- Do not fully tighten all the bolts at this step.



# 16 Attaching The Metal Plate

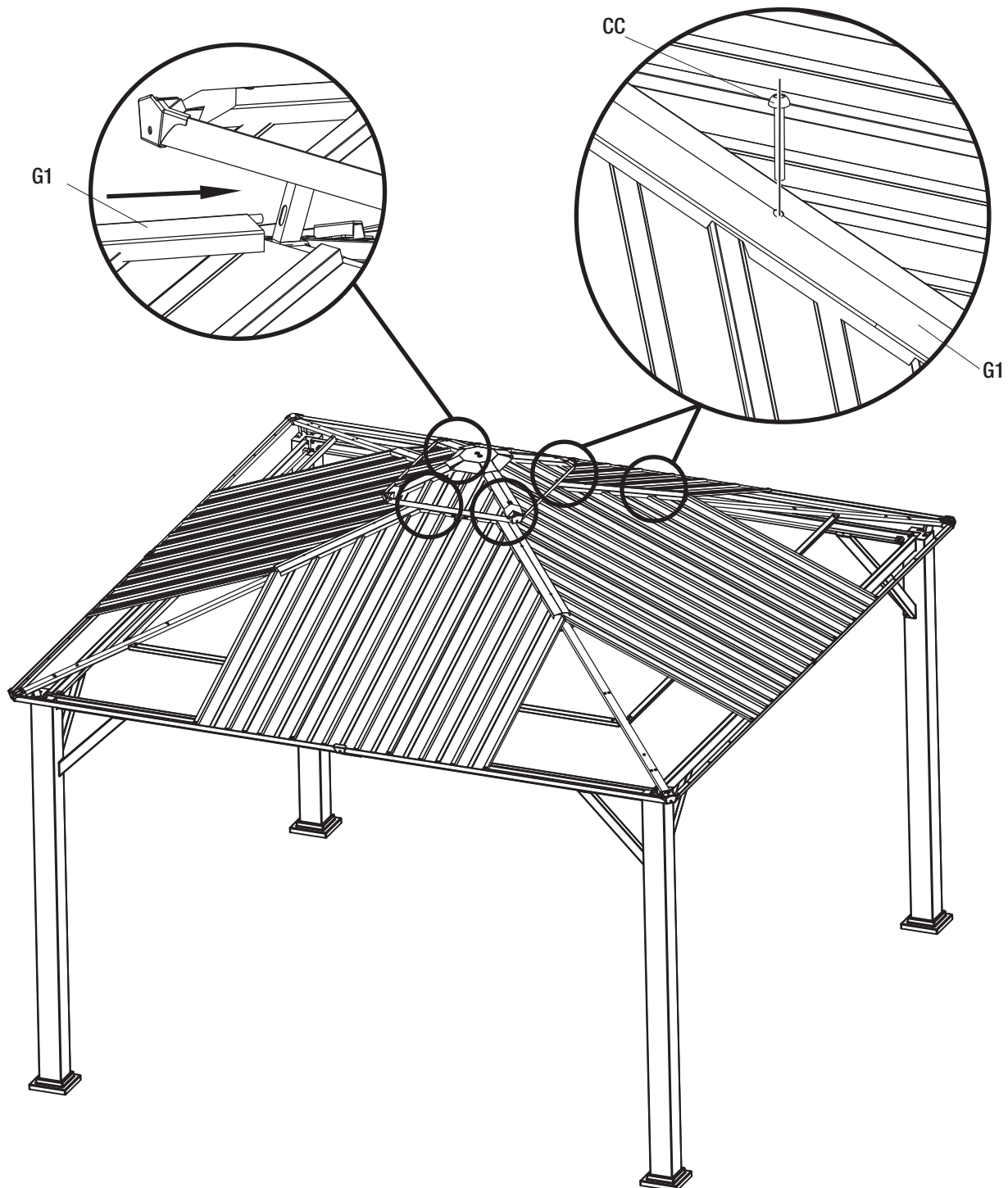
- Attach the metal plate 7 (K1) and the metal plate 6 (K) to the border tube (F & F1) using the M6x15 combination bolts (AA) as shown below.
- Attach the metal plate 7 (K1) and the metal plate 6 (K) to the corner incline tube (C) by using the M6x15 combination bolts (AA) as shown below.
- Do not fully tighten all the bolts at this step.



## Assembly (continued)

### 17 Attaching The Cover Plate 2

- Attach the cover plate (G1) to the assembled frame by using the M6x40 combination bolts (CC) as shown below.
- Do not fully tighten all the bolts at this step.

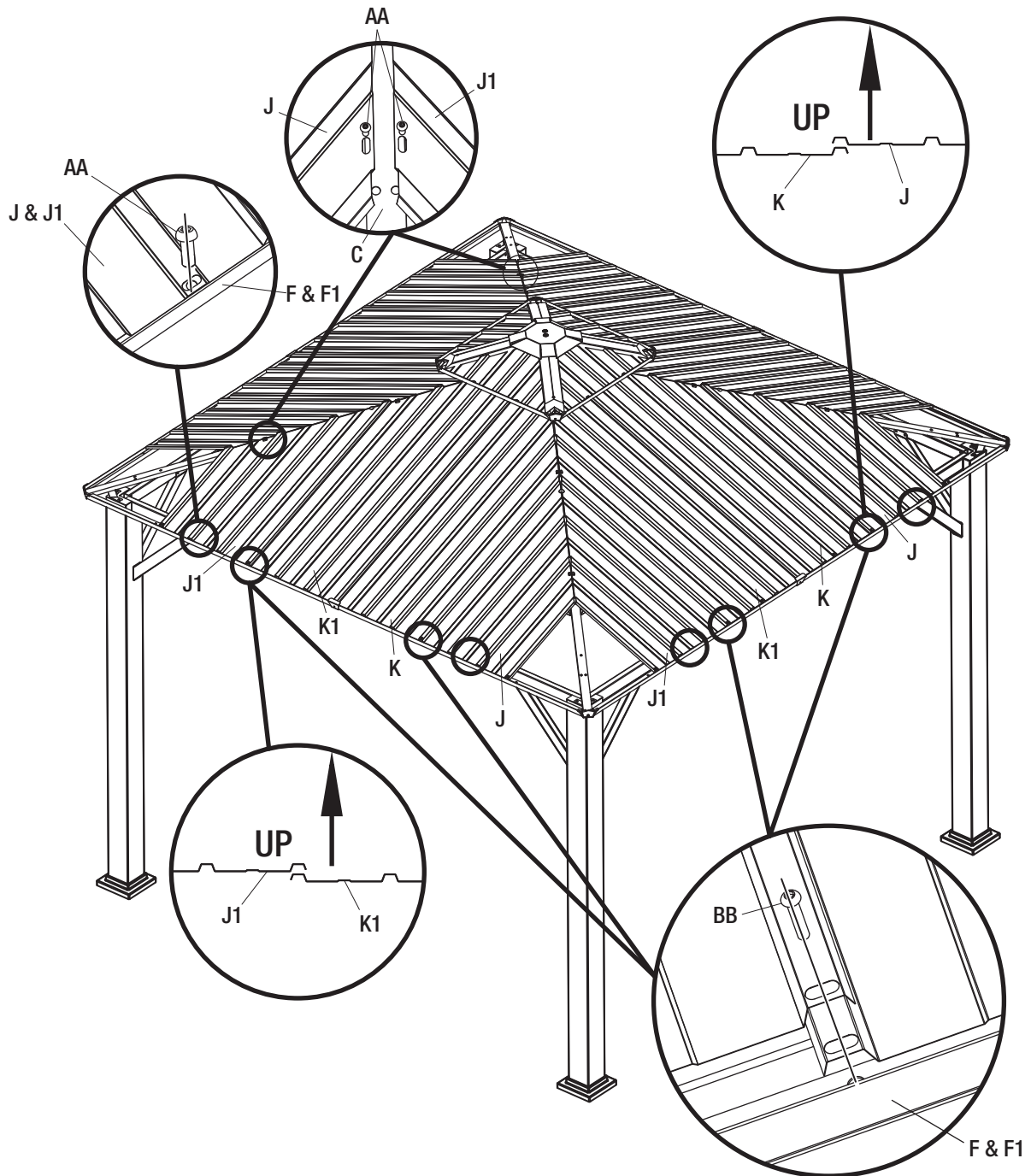




## Assembly (continued)

# 18 Attaching The Metal Plate

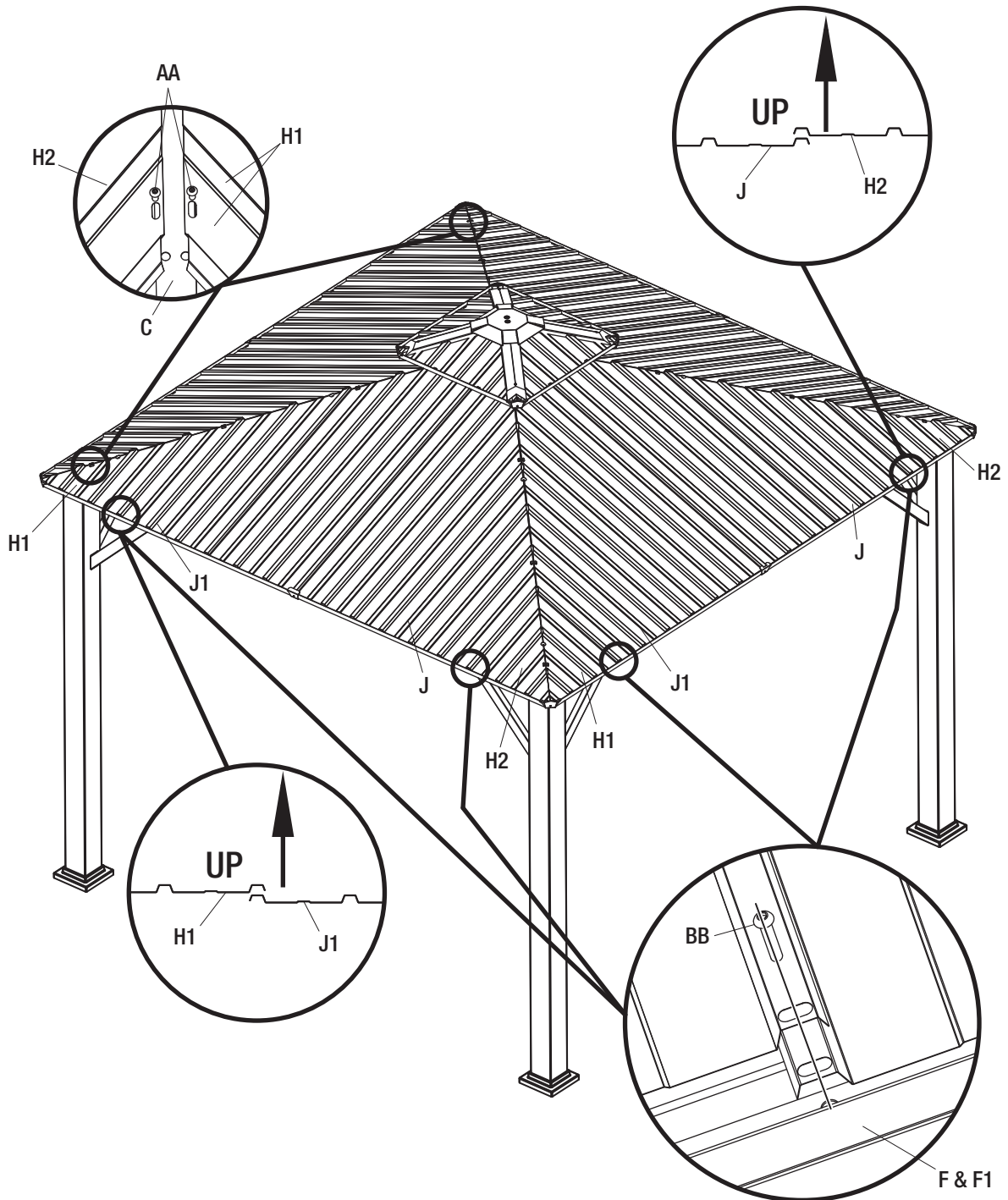
- Attach the metal plate 4 (J) and metal plate 5 (J1) to border tube (F & F1) using the M6x15 combination bolts (AA) and M6x30 combination bolts (BB) as shown below.
- Attach the metal plate 4 (J) and metal plate 5 (J1) to the corner incline tube (C) by using the M6x15 combination bolts (AA) as shown below.
- Do not fully tighten all the bolts at this step.



## Assembly (continued)

# 19 Attaching The Metal Plate

- Attach the metal plate 2 (H1) and the metal plate 3 (H2) to the border tube (F & F1) using the M6x30 combination bolts (BB).
- Attach the metal plate 2 (H1) and the metal plate 3 (H2) to the corner incline tube (C) using the M6x15 combination bolts (AA).
- Do not fully tighten all the bolts at this step.

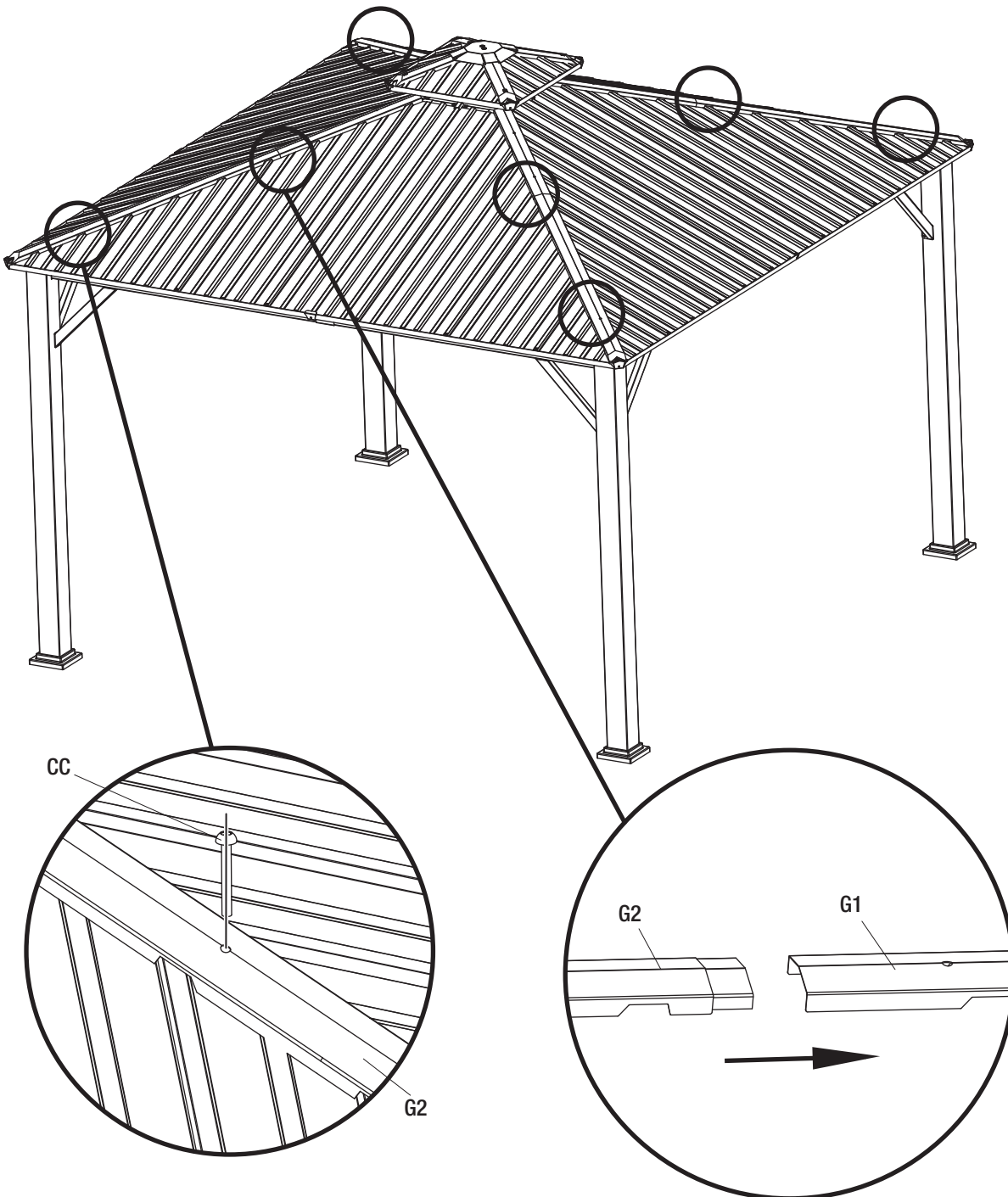




## Assembly (continued)

### 20 Attaching The Cover Plate 2

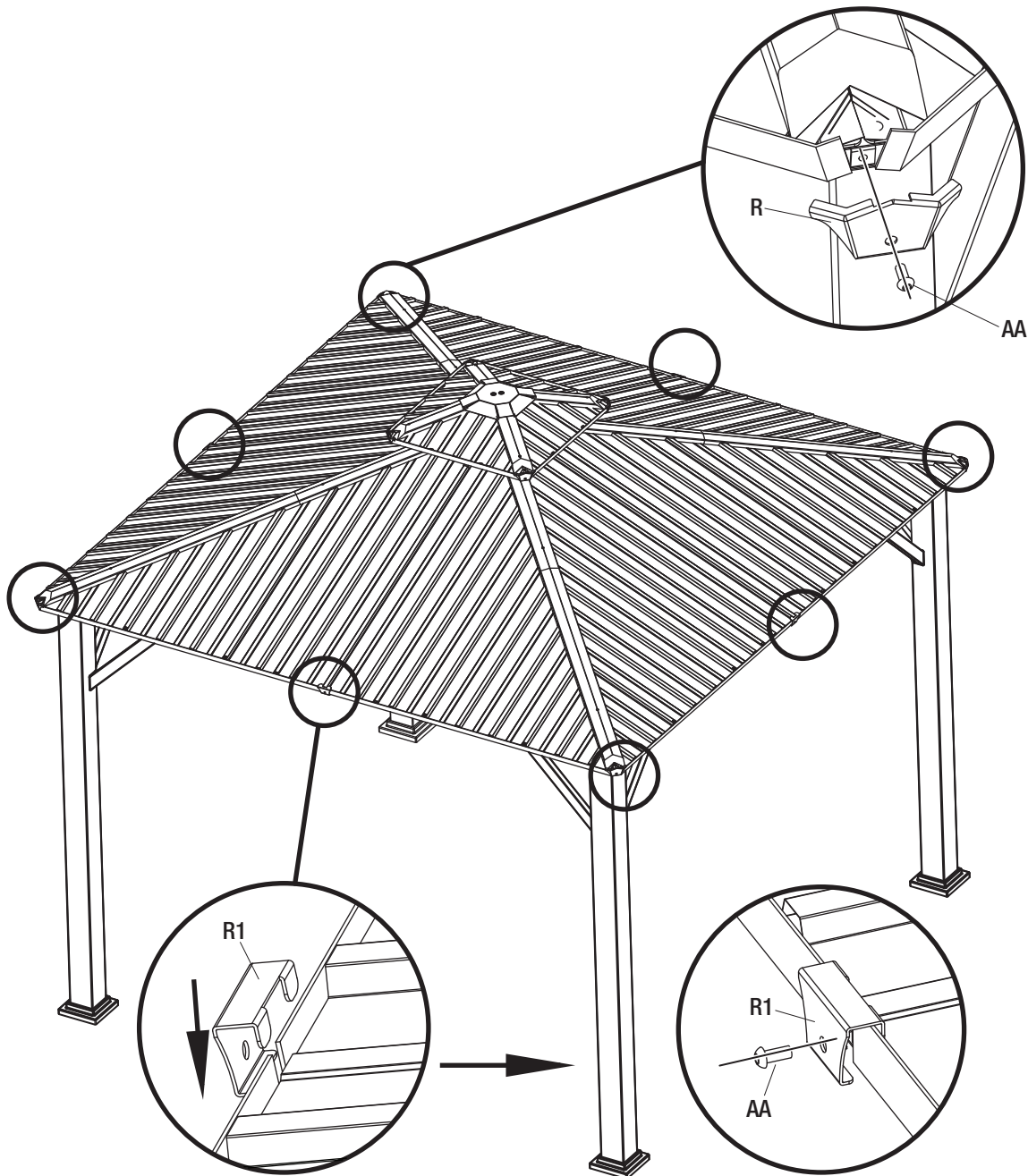
- Attach the cover plate (G2) to the assembled frame by using the M6x40 combination bolts (CC) as shown below.
- Do not fully tighten all the bolts at this step.



## Assembly (continued)

### 21 Attaching The Outer Metal Part

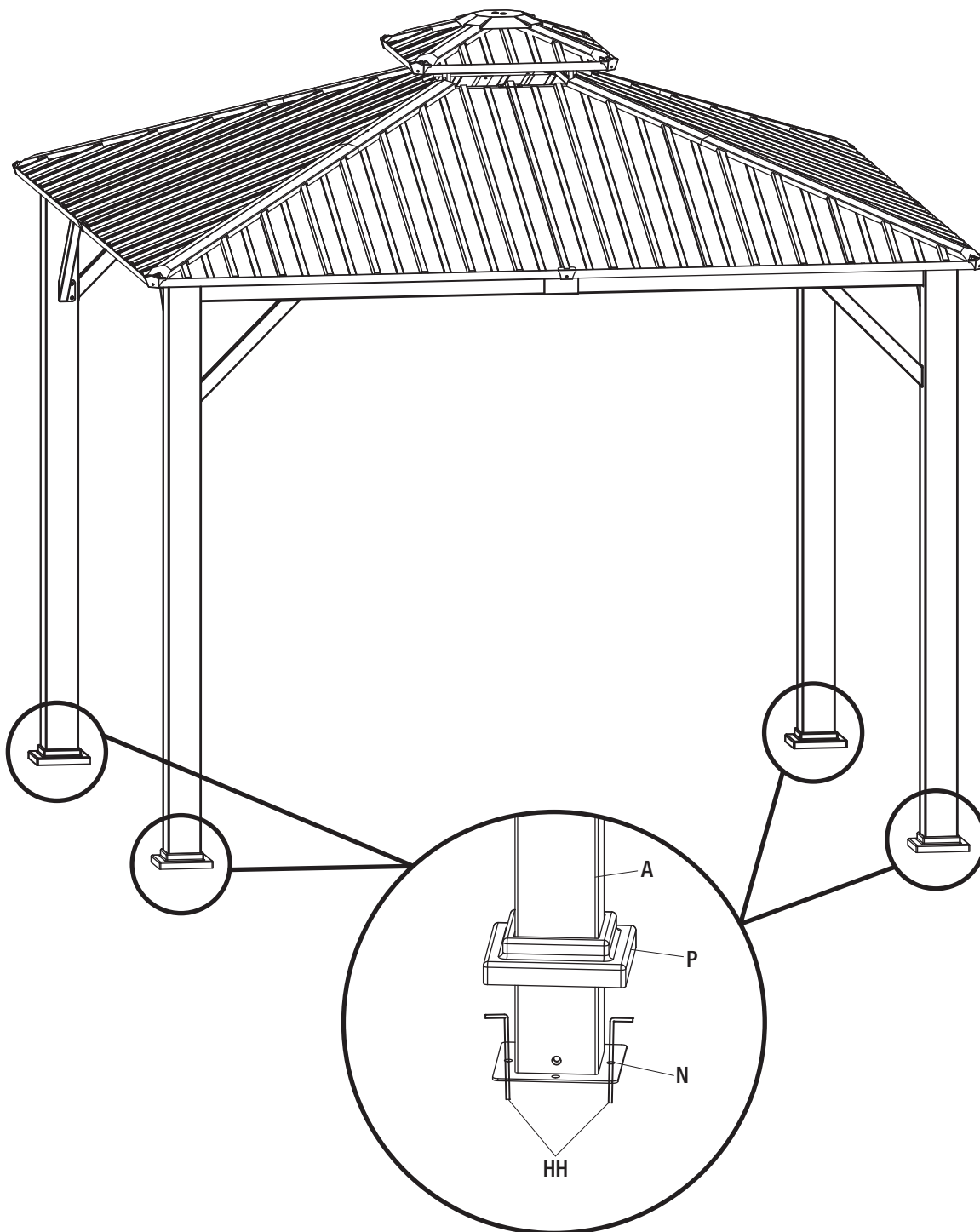
- Attach the incline outer metal part (R) and the border tube outer metal part (R1) to the assembled frame using the M6x15 combination bolts (AA) as shown below.
- Do not fully tighten all the bolts at this step.



## Assembly (continued)

### 22 Tightening The Bolts And Securing The Post To The Ground

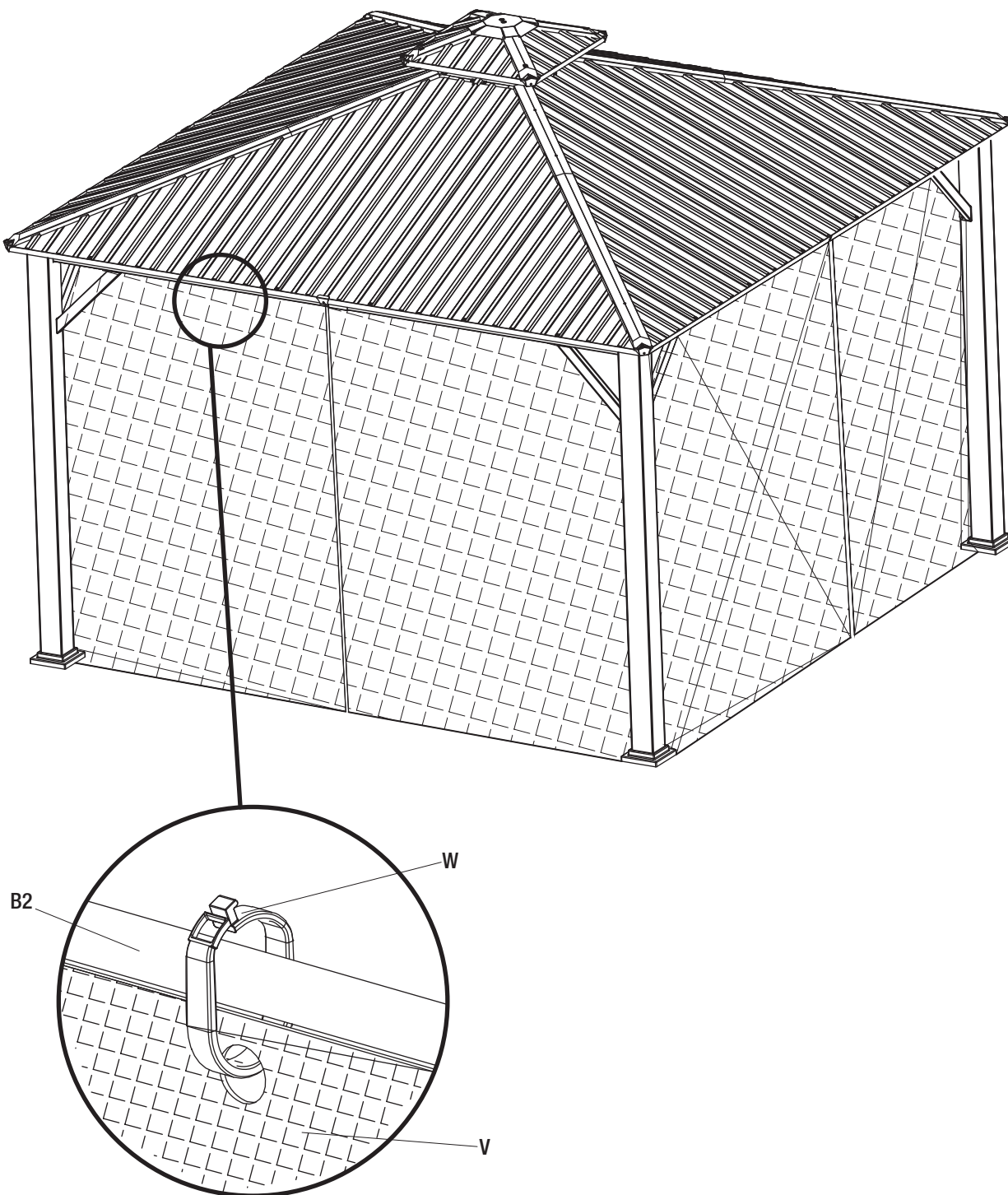
- Once all of the bolts are in place, fully tighten all the bolts using wrench (HH) and hex wrench (II).
- Secure the post (A) to the ground by using the ground spikes (HH).



## Assembly (continued)

### 23 Attaching The Netting

- Attach the netting (V) to the assembled gazebo by using the split ring (W) as shown below.



## Care and Cleaning

---

- For best results, clean the gazebo with a damp cloth and dry thoroughly. This will help prevent mildew by removing dirt particles that may accumulate.
- Do not clean with abrasive materials, bleach or solvents.
- Store the gazebo in a dry, sheltered place when not in use.
- Keep the gazebo away from fire, extreme heat, freezing conditions, and inclement weather such as rain, hail, sleet, snow, or wind.

# HAMPTON BAY<sup>®</sup>

Questions, problems, missing parts? Before returning to the store,  
call Hampton Bay Customer Service.  
8 a.m. - 7 p.m., EST, Monday - Friday, 9 a.m. - 6 p.m., EST, Saturday

**1-855-HD-HAMPTON**

**HOMEDEPOT.CA**

Retain this manual for future use.

For certification use only
Factory ID# GFM30731E