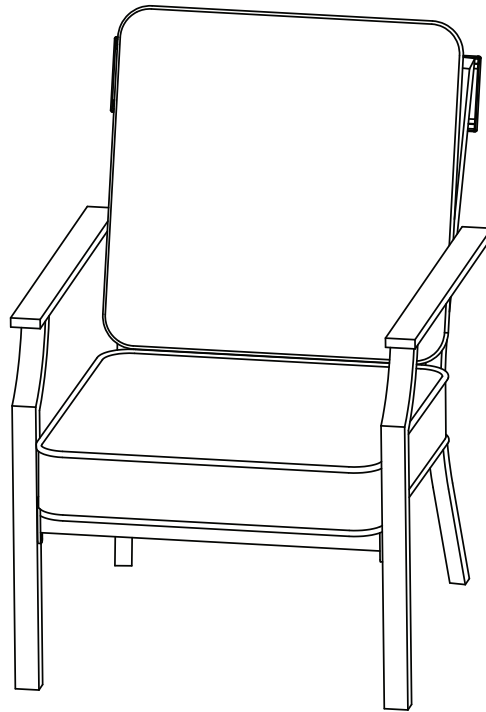


Item #0000 000 000
Model #FZS80406A-2PK

HAMPTON BAY[®]

USE AND CARE GUIDE

COOPERSMITH 2 PACK CLUB CHAIR



Questions, problems, missing parts? Before returning to the store,
call Hampton Bay Customer Service
8 a.m. - 7 p.m., EST, Monday – Friday, 9 a.m. – 6 p.m., EST, Saturday

1-855-HD-HAMPTON

HOMEDEPOT.CA

THANK YOU

We appreciate the trust and confidence you have placed in Hampton Bay through the purchase of these chairs. We strive to continually create quality products designed to enhance your home. Visit us online to see our full line of products available for your home improvement needs. Thank you for choosing Hampton Bay!


Table of Contents


Table of Contents 2
Important Safety Instructions 2
 Save These Instructions 2
 Read All Instructions Before Use 2
Warranty 3
 What is covered 3
 What is not covered 3

Pre-Assembly 3
 Planning Assembly 3
 Hardware Included 3
 Package Contents 4
Assembly 5
Care and Cleaning 7

Important Safety Instructions

SAVE THESE INSTRUCTIONS


 **WARNING:** THESE CHAIRS WERE MADE FOR THE EXPLICIT PURPOSE OF PROVIDING OUTDOOR FUNCTIONS AND ARE NOT TO BE USED AS A TOY. THIS PRODUCT IS INTENDED FOR NORMAL OUTDOOR USE; HOWEVER, THE MANUFACTURER RECOMMENDS STORING AND/OR COVERING THIS PRODUCT WHEN ANY FORMIDABLE/SEVERE WEATHER IS APPROACHING.

 **WARNING:** DO NOT LOCATE THIS PRODUCT NEAR OPEN FLAMES. DO NOT USE THIS PRODUCT AS A SUPPORT. DO NOT SHAKE, LEAN OR CLIMB ON THE PRODUCT. CHILDREN UNDER THE AGE OF 10, NEAR THE PRODUCT, SHOULD BE SUPERVISED BY A COMPETENT ADULT AT ALL TIMES. THIS PRODUCT IS NOT INTENDED FOR COMMERCIAL USE AND WILL VOID THE WARRANTY.


READ ALL INSTRUCTIONS BEFORE USE


To reduce the risk of injury to persons:

1. Close supervision is necessary when this furnishing is used by or near children, or disabled persons, if applicable.
2. Use this furnishing only for its intended use as described in these instructions. Do not use attachments not recommended by the manufacturer.
3. Do not move the chair while it is occupied. Failure to obey this caution could result in injury.


 **CAUTION:** When not in use, secure the product in a cool and covered location.

 **CAUTION:** Do not locate the product near any heat sources.

 **WARNING:** Warning: Weight limit for the chair is 250lbs (113.39Kg) for each seat.

 **WARNING:** Please keep children out of the assembly area before assembly.

 **WARNING:** This chair unit is heavy, and may require two adults for safe assembly.

 **WARNING:** Never use this product as a support. Do not shake, lean, or climb on the product at any time.

 **WARNING:** Do not place heavy objects on the chair.

Warranty

2 YEAR FRAME AND 2 YEAR FABRIC LIMITED WARRANTY

WHAT IS COVERED

We warrant the frames to be free of manufacturing defects to the original purchaser for two years, and a two year limited warranty for the fabric.

WHAT IS NOT COVERED

It remains the customer's responsibility for freight and packaging charges to and from our service center. This warranty does not cover commercial use, hardware, acts of nature, fire, freezing and abusive use. In addition, purchased parts are not covered under this warranty. We reserve the right to make substitutions with similar merchandise, if the model in question is no longer in production.

Contact the Customer Service Team at 1-855-HD-HAMPTON or visit www.HOMEDEPOT.ca.

Pre-assembly

PLANNING ASSEMBLY

Read all instructions before assembly.

To avoid damaging this product, assemble it on a soft, non-abrasive surface such as carpet or cardboard.



NOTE: More than one person may be required to assemble this product.

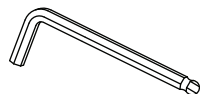
HARDWARE INCLUDED



NOTE: Hardware not shown to actual size.



— AA

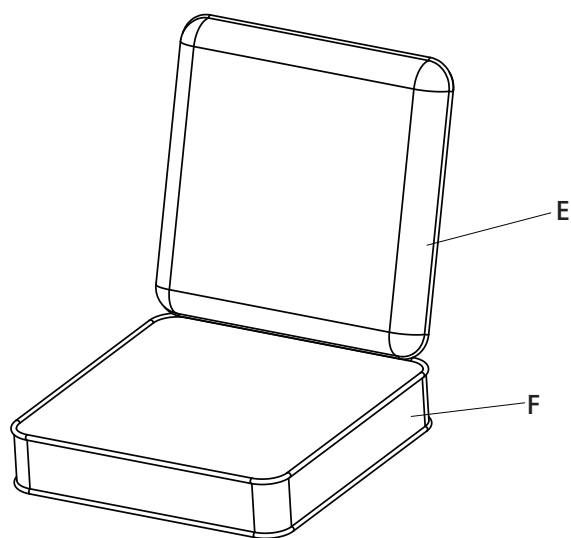
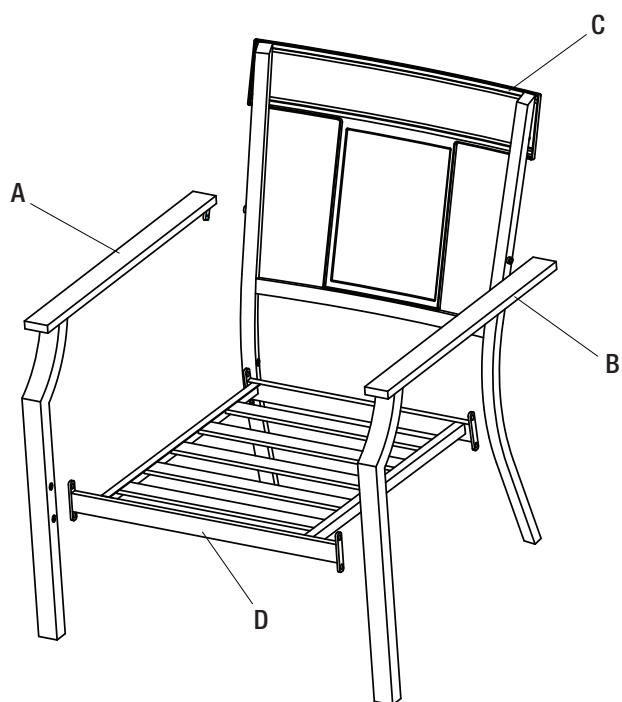


— BB

Part	Description	Quantity
AA	M6x15 Combination Bolt	20+1
BB	Hex Wrench	1

Pre-assembly (continued)

PACKAGE CONTENTS



Part	Description	Quantity
A	Right Arm	2
B	Left Arm	2
C	Backrest	2
D	Seat	2
E	Back Cushion	2
F	Seat Cushion	2

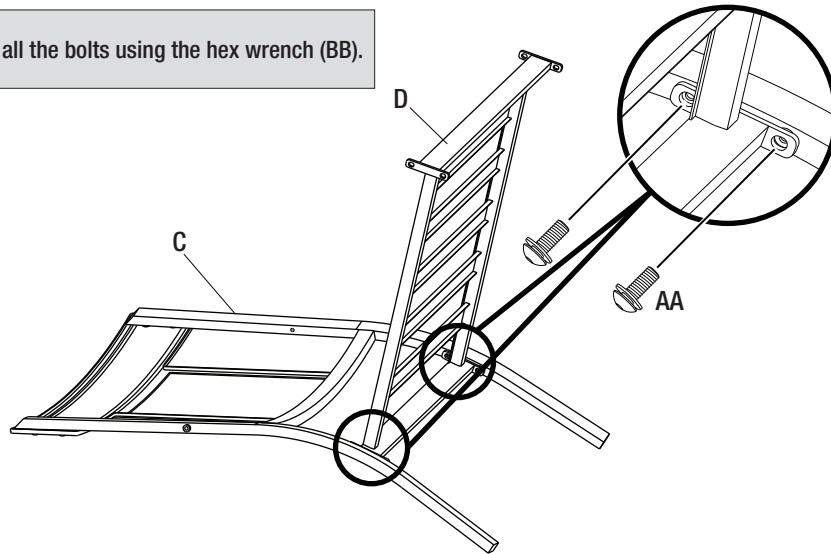
Assembly

1 Attaching The Seat To The Backrest

- Place the backrest (C) upside down on a soft surface.
- Attach the seat (D) to the backrest (C) using M6x15 combination bolts (AA).
- Do not fully tighten the bolts at this step.



NOTE: Loosely tighten all the bolts using the hex wrench (BB).

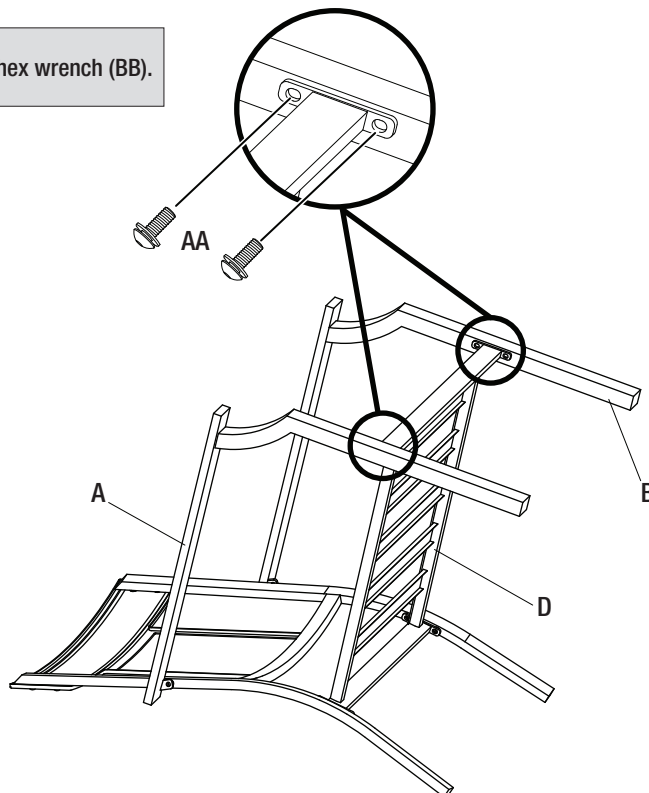


2 Attaching The Arms To The Seat

- Attach the right arm (A) and the left arm (B) to the seat (D) using M6x15 combination bolts (AA).
- Do not tighten the bolts at this step.



NOTE: Loosely tighten all the bolts using the hex wrench (BB).



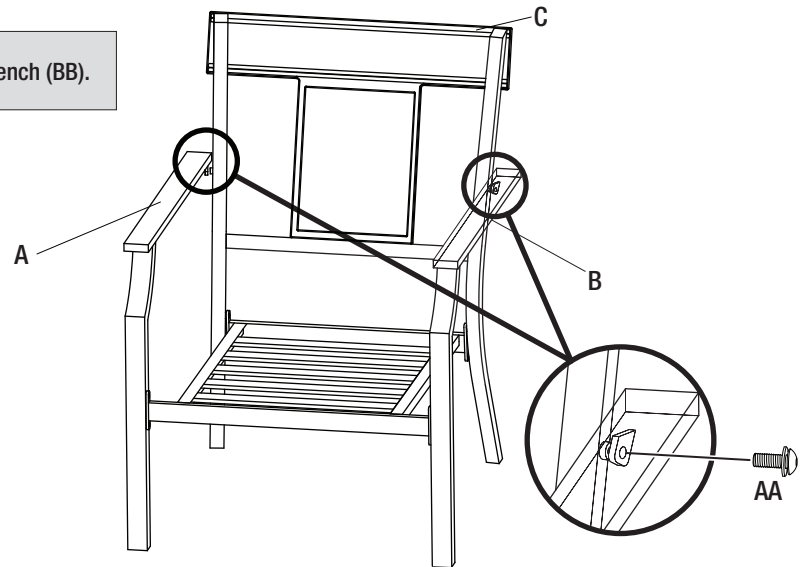
Assembly (continued)

3 Attaching The Arms To The Backrest

- Turn the chair right side up.
- Attach the right arm (A) and the left arm (B) to the backrest (C) using M6x15 combination bolts (AA).
- Do not fully tighten the bolts at this step.

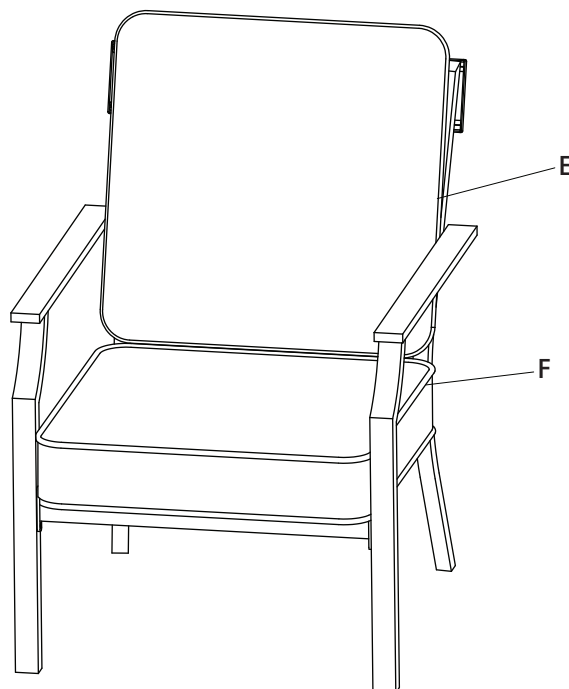


NOTE: Loosely tighten all the bolts using the hex wrench (BB).



4 Tightening The Bolts

- Once all of the bolts are in place, fully tighten the bolts.
- Place the chair seat cushion (F) and the back cushion (E) onto the chair to finish the assembly.
- Ensure all connections are secure before use.



Care and Cleaning

- For best results, clean the frame and cushions with a damp cloth and dry thoroughly. This will help prevent mildew by removing dirt particles that may accumulate.
- Do not clean with abrasive materials, bleach or solvents.
- Store the chairs in a dry sheltered place when not in use.
- Keep the chairs away from fire, extreme heat, freezing conditions, and inclement weather such as rain, hail, sleet, snow, or wind.

HAMPTON BAY[®]

Questions, problems, missing parts? Before returning to the store,
call Hampton Bay Customer Service
8 a.m. – 7 p.m., EST, Monday – Friday, 9 a.m. – 6 p.m., EST, Saturday

1-855-HD-HAMPTON

HOMEDEPOT.CA

Retain this manual for future use.

For certification use only
Factory ID# FZS80406A