

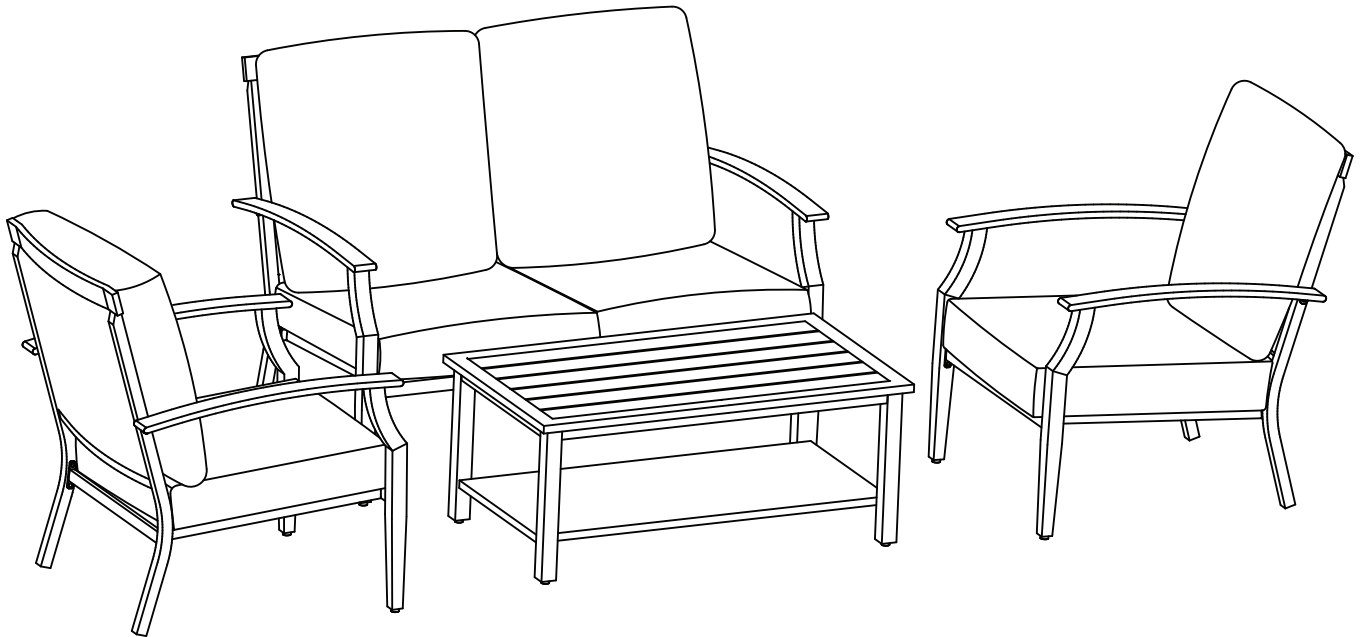
Item # 0000 000 000  
Model # FRS60704-ST

# HAMPTON BAY®

## USE AND CARE GUIDE

---

### COASTAL WOOD LOOK MIXED MATERIAL 4PC SEATING



Questions, problems, missing parts? Before returning to the store,  
call Hampton Bay Customer Service  
8 a.m. - 7 p.m., EST, Monday – Friday, 9 a.m. – 6 p.m., EST, Saturday

**1-855-HD-HAMPTON**

**HOMEDEPOT.CA**

---

#### **THANK YOU**


*We appreciate the trust and confidence you have placed in Hampton Bay through the purchase of this set. We strive to continually create quality products designed to enhance your home. Visit us online to see our full line of products available for your home improvement needs. Thank you for choosing Hampton Bay!*


# Table of Contents

Table of Contents . . . . .	2	Pre-Assembly . . . . .	3
Important Safety Instructions . . . . .	2	Planning Assembly . . . . .	3
Save These Instructions . . . . .	2	Hardware Included . . . . .	4
Read All Instructions Before Use . . . . .	2	Club Chair Package Contents . . . . .	4
Warranty . . . . .	3	Loveseat Package Contents . . . . .	5
What is covered . . . . .	3	Table Package Contents . . . . .	5
What is not covered . . . . .	3	Club Chair Assembly . . . . .	6
		Loveseat Assembly . . . . .	8
		Table Assembly . . . . .	10
		Care and Cleaning . . . . .	11

## Important Safety Instructions

### SAVE THESE INSTRUCTIONS

 **WARNING:** THIS SET IS MADE FOR THE EXPLICIT PURPOSE OF PROVIDING OUTDOOR FUNCTIONS AND IS NOT TO BE USED AS A TOY. THIS PRODUCT IS INTENDED FOR NORMAL OUTDOOR USE; HOWEVER, THE MANUFACTURER RECOMMENDS STORING AND/OR COVERING THIS PRODUCT WHEN ANY FORMIDABLE/SEVERE WEATHER IS APPROACHING.

 **WARNING:** DO NOT LOCATE THIS PRODUCT NEAR OPEN FLAMES. DO NOT USE THIS PRODUCT AS A SUPPORT. DO NOT SHAKE, LEAN OR CLIMB ON THE PRODUCT. CHILDREN UNDER THE AGE OF 10, NEAR THE PRODUCT, SHOULD BE SUPERVISED BY A COMPETENT ADULT AT ALL TIMES. THIS PRODUCT IS NOT INTENDED FOR COMMERCIAL USE AND WILL VOID THE WARRANTY.


### READ ALL INSTRUCTIONS BEFORE USE


To reduce the risk of injury to persons:

1. Close supervision is necessary when this furnishing is used by or near children, or disabled persons, if applicable.
2. Use this furnishing only for its intended use as described in these instructions. Do not use attachments not recommended by the manufacturer.
3. Do not move the chair while it is occupied. Failure to obey this caution could result in injury.


 **CAUTION:** When not in use, secure the product in a cool and covered location.

 **CAUTION:** Do not locate the product near any heat sources.

 **WARNING:** Weight limit for the chair is 250lbs (113.39Kg) for each seat.

 **WARNING:** Please keep children out of the assembly area before assembly.

 **WARNING:** This chair/ loveseat/ table unit is heavy, and may require two adults for safe assembly.

 **WARNING:** Never use this product as a support. Do not shake, lean, or climb on the product at any time.

 **WARNING:** Do not place heavy objects on the chair, loveseat or table.

## Warranty

---

### 2 YEAR FRAME AND 2 YEAR FABRIC LIMITED WARRANTY

#### WHAT IS COVERED

We warrant the frames to be free of manufacturing defects to the original purchaser for two years, and a two year limited warranty for the fabric.

#### WHAT IS NOT COVERED

It remains the customer's responsibility for freight and packaging charges to and from our service center. This warranty does not cover commercial use, hardware, acts of nature, fire, freezing and abusive use. In addition, purchased parts are not covered under this warranty. We reserve the right to make substitutions with similar merchandise, if the model in question is no longer in production.

Contact the Customer Service Team at 1-855-HD-HAMPTON or visit [www.HOMEDEPOT.ca](http://www.HOMEDEPOT.ca).

## Pre-Assembly

---

### PLANNING ASSEMBLY

Read all instructions before assembly.

To avoid damaging this product, assemble it on a soft, non-abrasive surface such as carpet or cardboard.



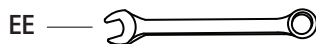
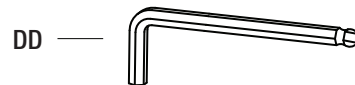
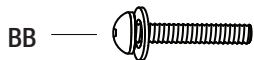
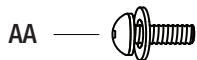
**NOTE:** More than one person may be required to assemble this product.

# Pre-Assembly (continued)

## HARDWARE INCLUDED

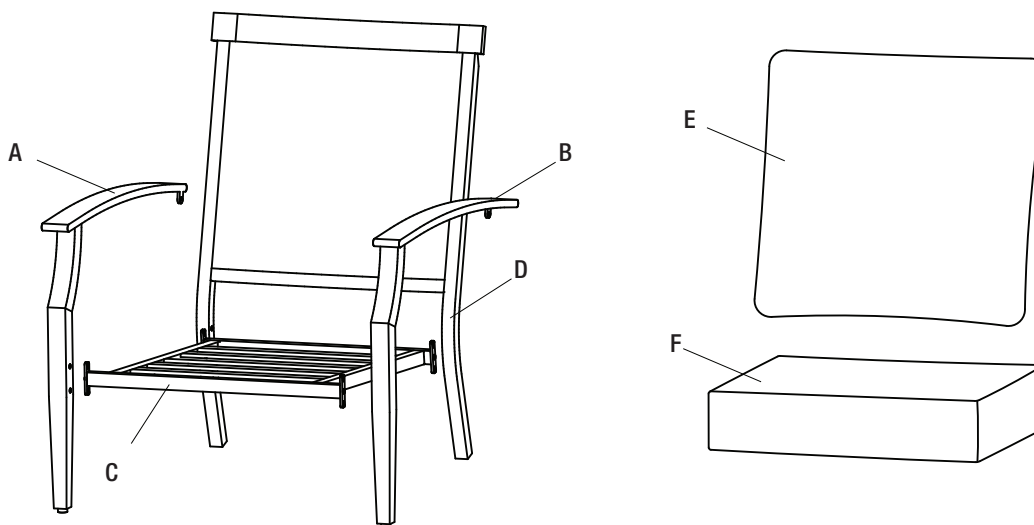


NOTE: Hardware not shown to actual size.



Part	Description	Quantity
AA	M6x15 Combination Bolt	30+1
BB	M6x30 Combination Bolt	4+1
CC	M8x50 Combination Hex Bolt	4+1
DD	Hex Wrench	1
EE	Wrench	1

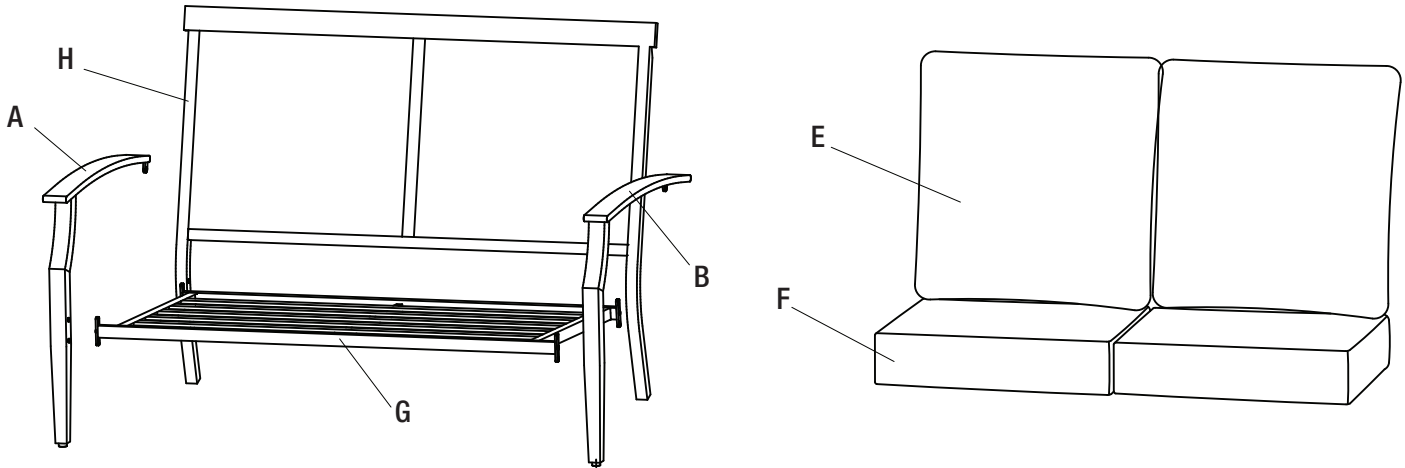
## CLUB CHAIR PACKAGE CONTENTS



Part	Description	Quantity
A	Right Arm	2
B	Left Arm	2
C	Seat	2
D	Chair Back	2
E	Back Cushion	2
F	Seat Cushion	2

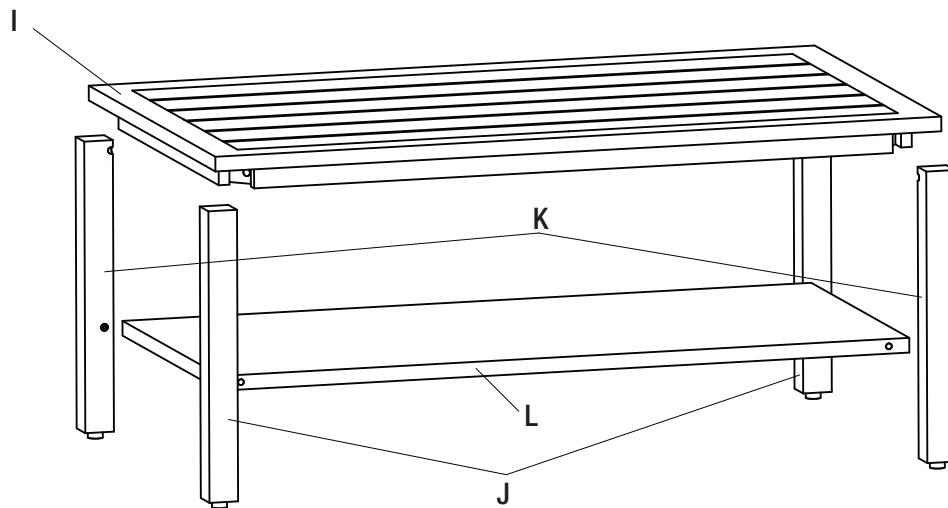
# Pre-Assembly (continued)

## LOVESEAT PACKAGE CONTENTS



Part	Description	Quantity
A	Right Arm	1
B	Left Arm	1
E	Back Cushion	2
F	Seat Cushion	2
G	Loveseat Seat	1
H	Loveseat Back	1

## TABLE PACKAGE CONTENTS



Part	Description	Quantity
I	Table Top	1
J	Table Leg J	2
K	Table Leg K	2
L	Shelf	1

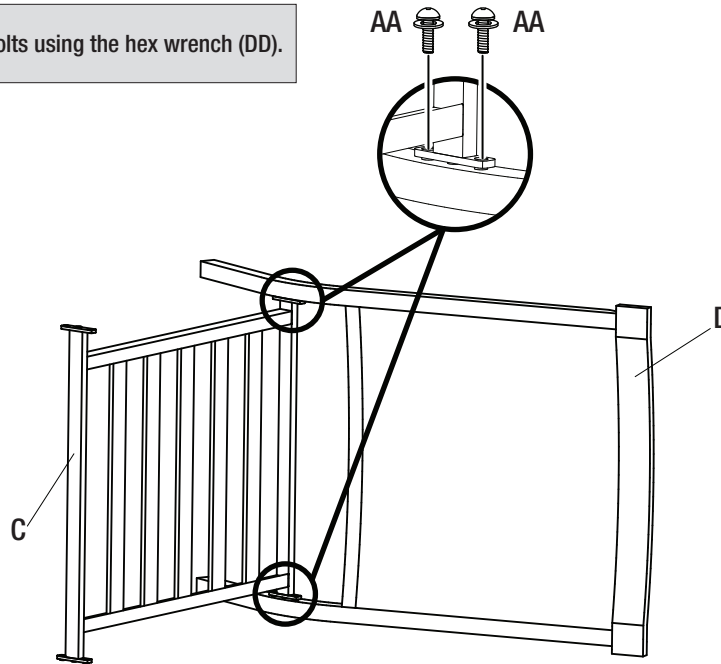
# Club Chair Assembly

## 1 Attaching The Chair Seat To The Chair Back

- Place the chair bucket (D) upside down on a soft surface.
- Attach the chair seat (C) to the chair back (D) using M6x15 combination bolts (AA).



**NOTE:** Loosely tighten all the bolts using the hex wrench (DD).

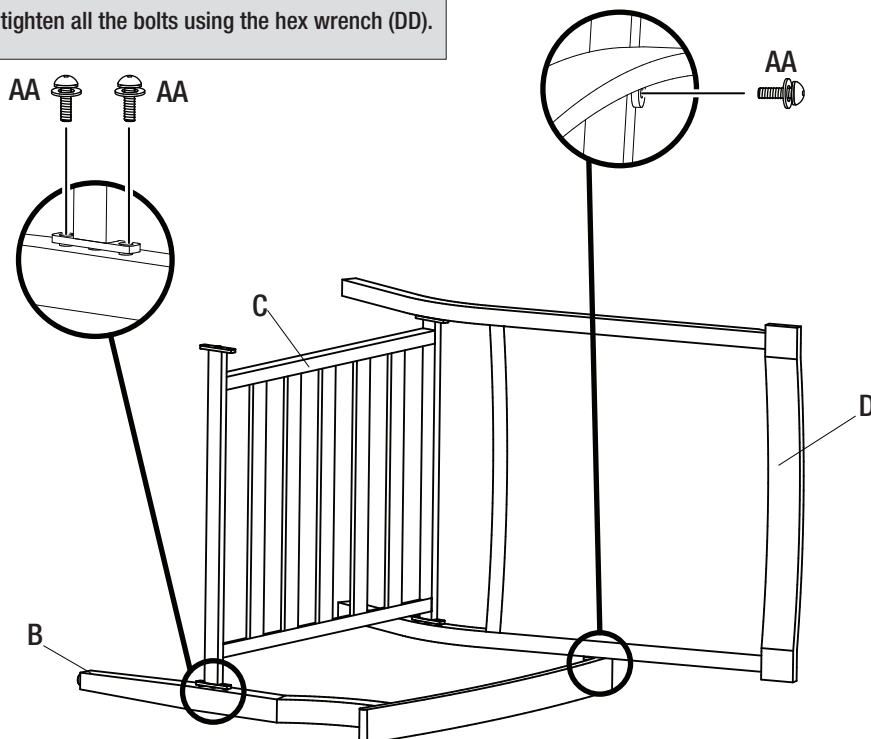


## 2 Attaching The Left Arm To The Chair Seat And Chair Back

- Attach the left arm (B) to the chair seat (C) and chair back (D) using M6x15 combination bolts (AA).



**NOTE:** Loosely tighten all the bolts using the hex wrench (DD).



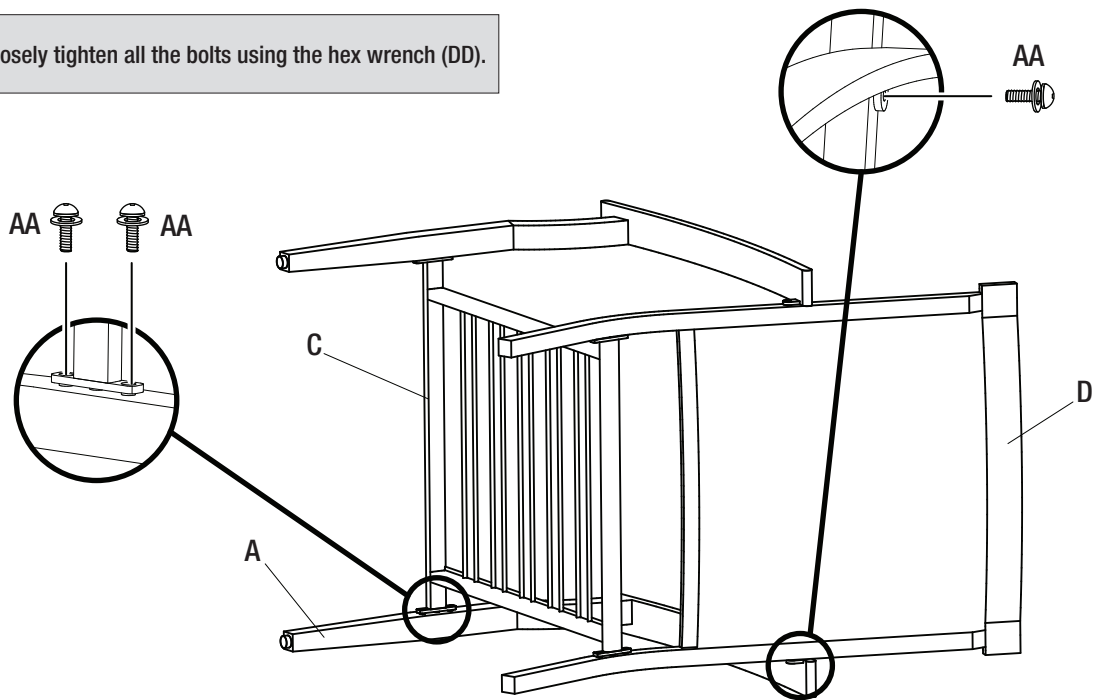
## Club Chair Assembly (continued)

### 3 Attaching The Right Arm To The Chair Seat And Chair Back

- Attach the right arm (A) to the chair seat (C) and chair back (D) using M6x15 combination bolts (AA).

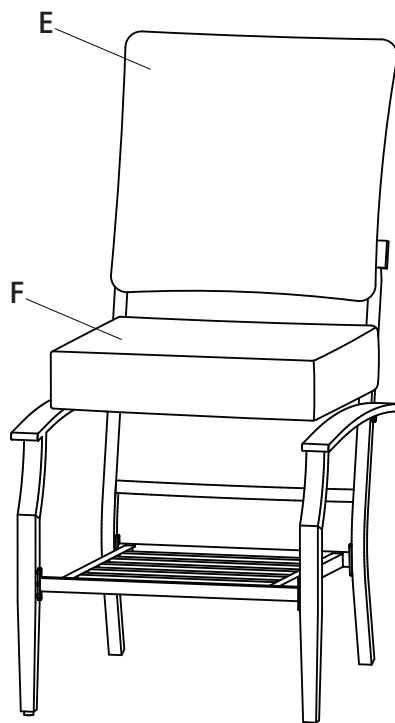


**NOTE:** Loosely tighten all the bolts using the hex wrench (DD).



### 4 Tightening All Bolts

- Once all of the bolts are in place, fully tighten all the bolts using the hex wrench (DD).
- Put the back cushion (E) and seat cushion (F) on the chair.
- Ensure all connections are secure before use.



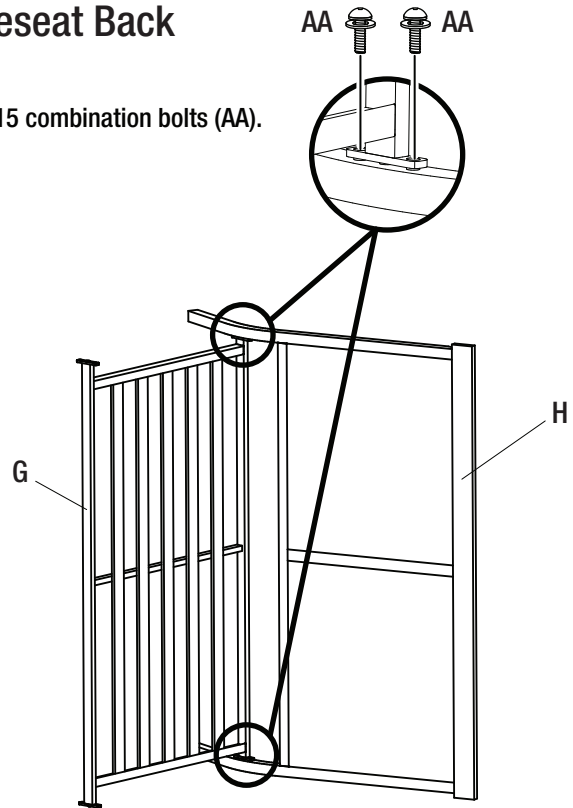
# Loveseat Assembly

## 1 Attaching The Loveseat Seat To The Loveseat Back

- Place the chair bucket (D) upside down on a soft surface.
- Attach the loveseat seat (G) to the loveseat back (H) using M6x15 combination bolts (AA).



**NOTE:** Loosely tighten all the bolts using the hex wrench (DD).

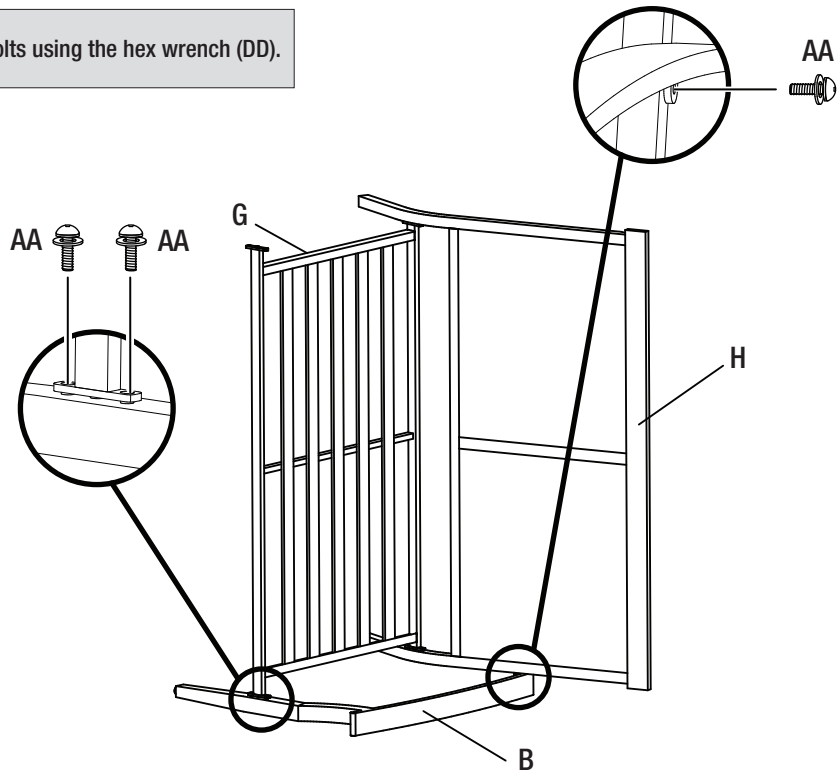


## 2 Attaching The Left Arm To The Loveseat Seat And Loveseat Back

- Attach the left arm (B) to the loveseat seat (G) and loveseat back (H) using M6x15 combination bolts (AA).



**NOTE:** Loosely tighten all the bolts using the hex wrench (DD).





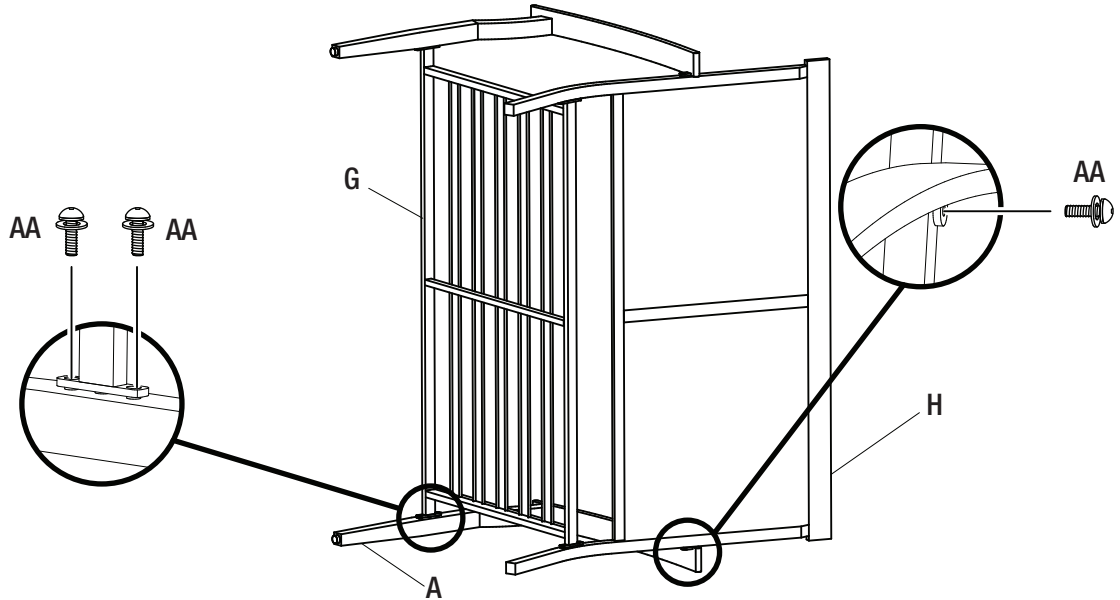
## Loveseat Assembly (continued)

### 3 Attaching The Right Arm To The Loveseat Seat And Loveseat Back

- Attach the right arm (A) to the loveseat seat (G) and loveseat back (H) using M6x15 combination bolts (AA).

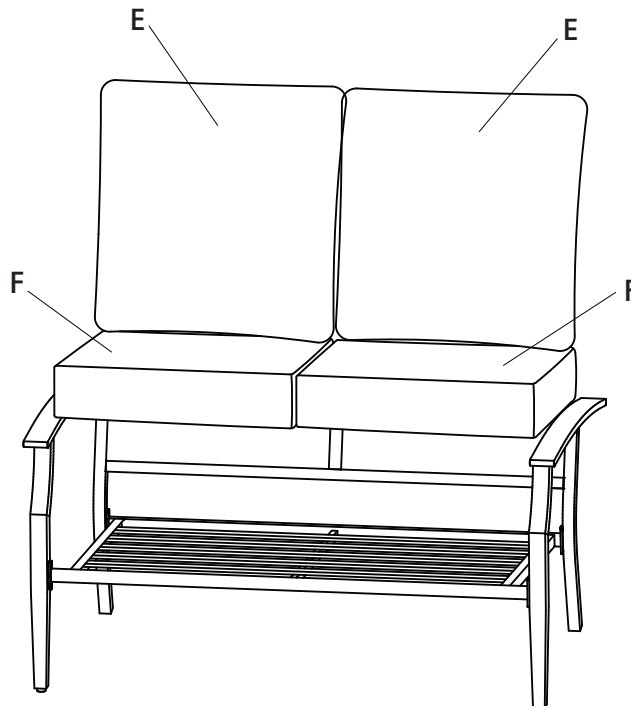


**NOTE:** Loosely tighten all the bolts using the hex wrench (DD).



### 4 Tightening All Bolts

- Once all of the bolts are in place, fully tighten all the bolts using the hex wrench (DD).
- Put the back cushion (E) and seat cushion (D) on the chair.
- Ensure all connections are secure before use.



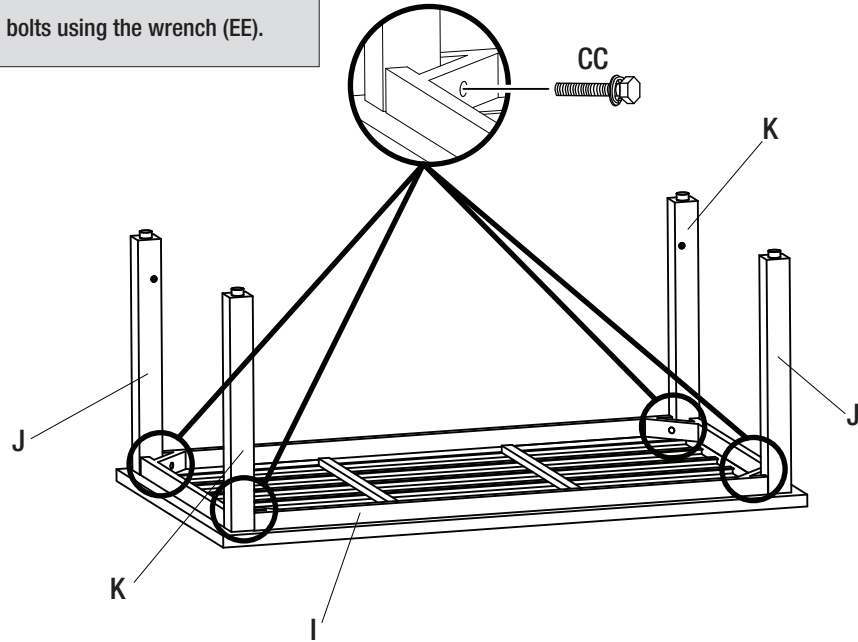
# Table Assembly

## 1 Connecting The Upper Leg To The Table Top

- Place the table top (I) upside down on a soft surface.
- Attach the table legs (J) and table legs (K) to the table top (I) using M8x50 combination hex bolts (CC).



**NOTE:** Loosely tighten all the bolts using the wrench (EE).

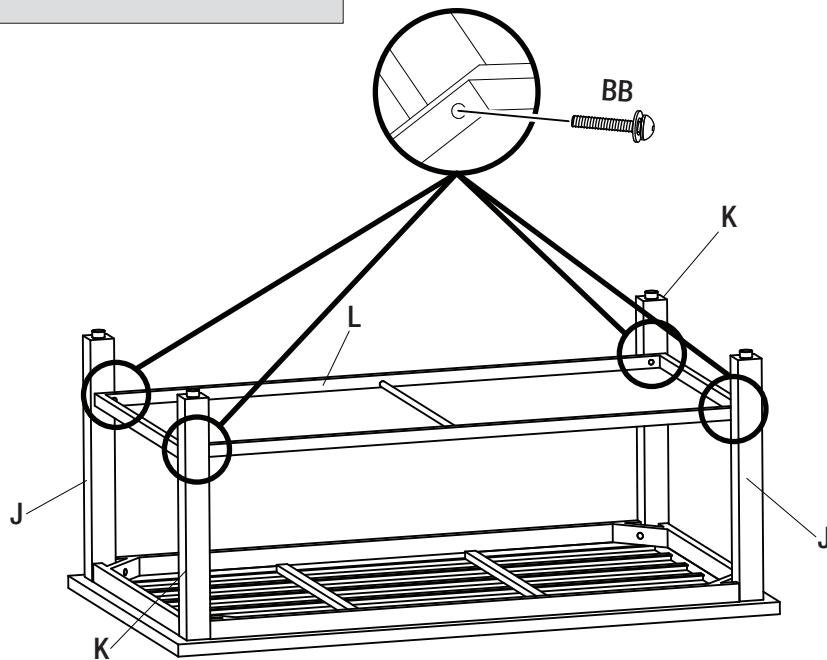


## 2 Connecting The Shelf To The Table Leg

- Connect the shelf (L) to the table legs (J&K) using M6x30 combination bolts (BB).



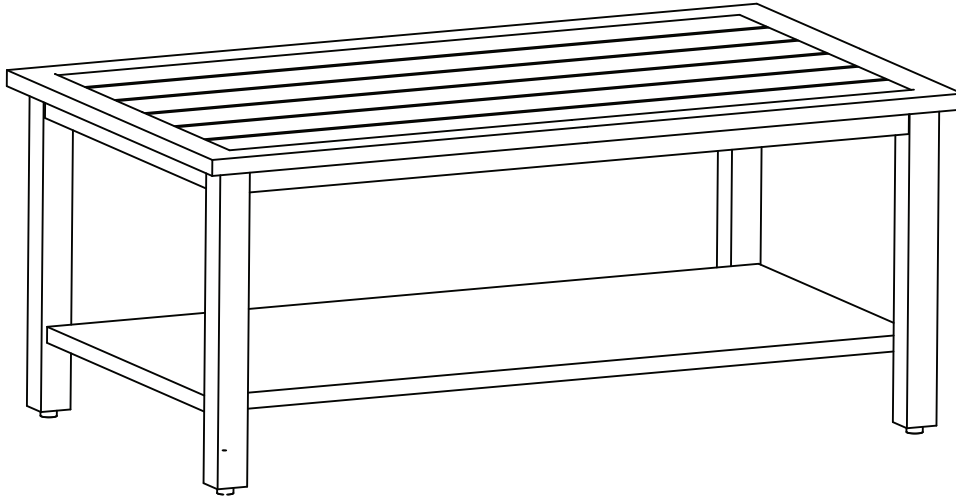
**NOTE:** Loosely tighten all the bolts using the hex wrench (DD).



## Table Assembly (continued)

### 3 Tightening The Bolts

- Once all of the bolts are in place, fully tighten all the bolts using the hex wrench (DD) and wrench (EE).
- Turn the table right side up.
- Ensure that all connections are secure.



## Care and Cleaning

- For best results, clean the frame and cushions with a damp cloth and dry thoroughly. This will help prevent mildew by removing dirt particles that may accumulate.
- Do not clean with abrasive materials, bleach or solvents.
- Store the set in a dry sheltered place when not in use.
- Keep the set out of fire, extreme heat, freezing conditions, and inclement weather such as rain, hail, sleet, snow, or wind.

# HAMPTON BAY<sup>®</sup>

Questions, problems, missing parts? Before returning to the store,  
call Hampton Bay Customer Service  
8 a.m. – 7 p.m., EST, Monday – Friday, 9 a.m. – 6 p.m., EST, Saturday

**1-855-HD-HAMPTON**

**HOMEDEPOT.CA**

Retain this manual for future use.

For certification use only
Factory Club Chair ID# FRS60704
Factory Loveseat ID# FRS60704L
Factory Table ID# FWS60610