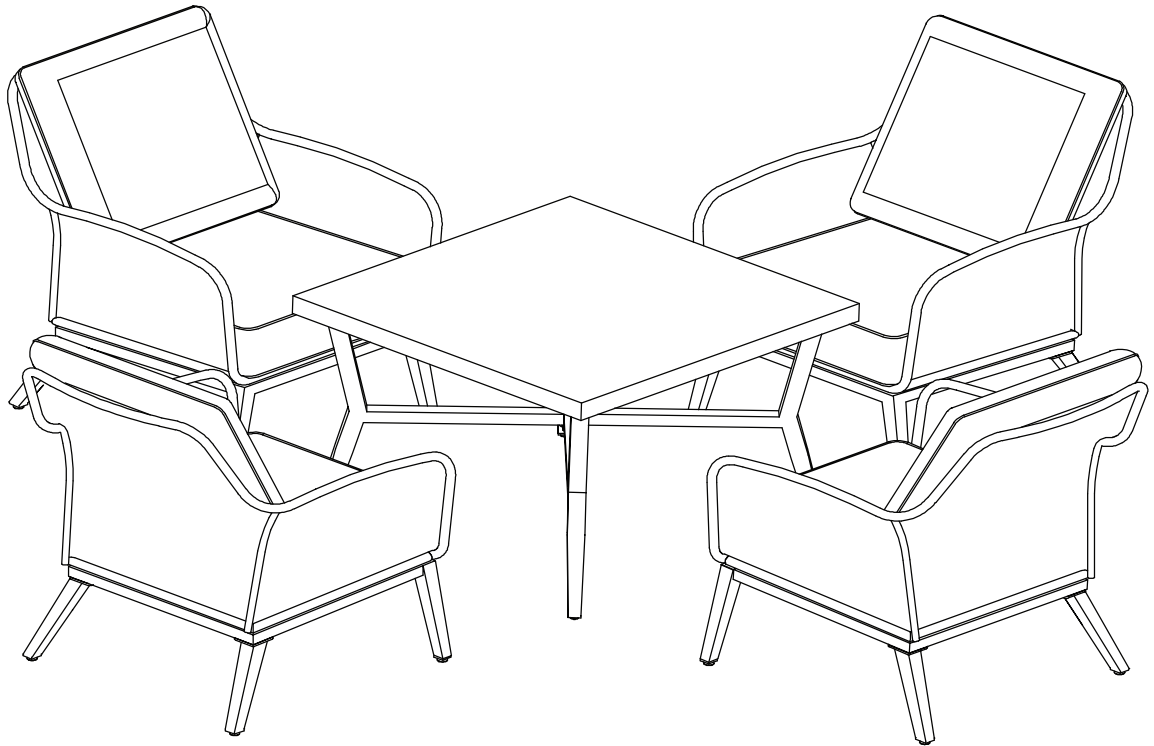


Item # 1001 406 076
1001 411 575
Model # FRS80952F-ST-1
FRS80952F-ST-N

HAMPTON BAY[®]

USE AND CARE GUIDE

LUXLEY 5PC ROPE MODERN CHAT SET



Questions, problems, missing parts? Before returning to the store,
call Hampton Bay Customer Service
8 a.m. - 7 p.m., EST, Monday – Friday, 9 a.m. – 6 p.m., EST, Saturday

1-855-HD-HAMPTON

HOMEDEPOT.CA

THANK YOU


We appreciate the trust and confidence you have placed in Hampton Bay through the purchase of this set. We strive to continually create quality products designed to enhance your home. Visit us online to see our full line of products available for your home improvement needs. Thank you for choosing Hampton Bay!


Table of Contents

Table of Contents	2	Pre-Assembly	3
Important Safety Instructions	2	Planning Assembly	3
Save These Instructions	2	Hardware Included	4
Read All Instructions Before Use	2	Chair Package Contents	4
Warranty	3	Table Package Contents	5
What is covered	3	Chair Assembly	6
What is not covered	3	Table Assembly	8
		Care and Cleaning	10

Important Safety Instructions

SAVE THESE INSTRUCTIONS

 **WARNING:** THIS SET IS MADE FOR THE EXPLICIT PURPOSE OF PROVIDING OUTDOOR FUNCTIONS AND IS NOT TO BE USED AS A TOY. THIS PRODUCT IS INTENDED FOR NORMAL OUTDOOR USE; HOWEVER, THE MANUFACTURER RECOMMENDS STORING AND/OR COVERING THIS PRODUCT WHEN ANY FORMIDABLE/SEVERE WEATHER IS APPROACHING.

 **WARNING:** DO NOT LOCATE THIS PRODUCT NEAR OPEN FLAMES. DO NOT USE THIS PRODUCT AS A SUPPORT. DO NOT SHAKE, LEAN OR CLIMB ON THE PRODUCT. CHILDREN UNDER THE AGE OF 10, NEAR THE PRODUCT, SHOULD BE SUPERVISED BY A COMPETENT ADULT AT ALL TIMES. THIS PRODUCT IS NOT INTENDED FOR COMMERCIAL USE AND WILL VOID THE WARRANTY.


READ ALL INSTRUCTIONS BEFORE USE


To reduce the risk of injury to persons:

1. Close supervision is necessary when this furnishing is used by or near children, or disabled persons, if applicable.
2. Use this furnishing only for its intended use as described in these instructions. Do not use attachments not recommended by the manufacturer.
3. Do not move the chair while it is occupied. Failure to obey this caution could result in injury.


 **CAUTION:** When not in use, secure the product in a cool and covered location.

 **CAUTION:** Do not locate the product near any heat sources.

 **WARNING:** Weight limit for the chair is 250lbs (113.39Kg) for each seat.

 **WARNING:** Please keep children out of the assembly area before assembly.

 **WARNING:** This chair/ table unit is heavy, and may require two adults for safe assembly.

 **WARNING:** Never use this product as a support. Do not shake, lean, or climb on the product at any time.

 **WARNING:** Do not place heavy objects on the chair or table.

Warranty

2 YEAR FRAME AND 2 YEAR FABRIC LIMITED WARRANTY

WHAT IS COVERED

We warrant the frames to be free of manufacturing defects to the original purchaser for two years, and a two year limited warranty for the fabric.

WHAT IS NOT COVERED

It remains the customer's responsibility for freight and packaging charges to and from our service center. This warranty does not cover commercial use, hardware, acts of nature, fire, freezing and abusive use. In addition, purchased parts are not covered under this warranty. We reserve the right to make substitutions with similar merchandise, if the model in question is no longer in production.

Contact the Customer Service Team at 1-855-HD-HAMPTON or visit www.HOMEDEPOT.ca.

Pre-Assembly

PLANNING ASSEMBLY

Read all instructions before assembly.

To avoid damaging this product, assemble it on a soft, non-abrasive surface such as carpet or cardboard.



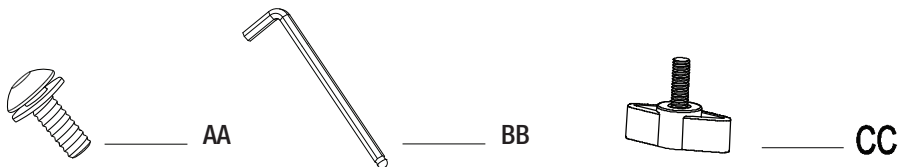
NOTE: More than one person may be required to assemble this product.

Pre-Assembly (continued)

HARDWARE INCLUDED

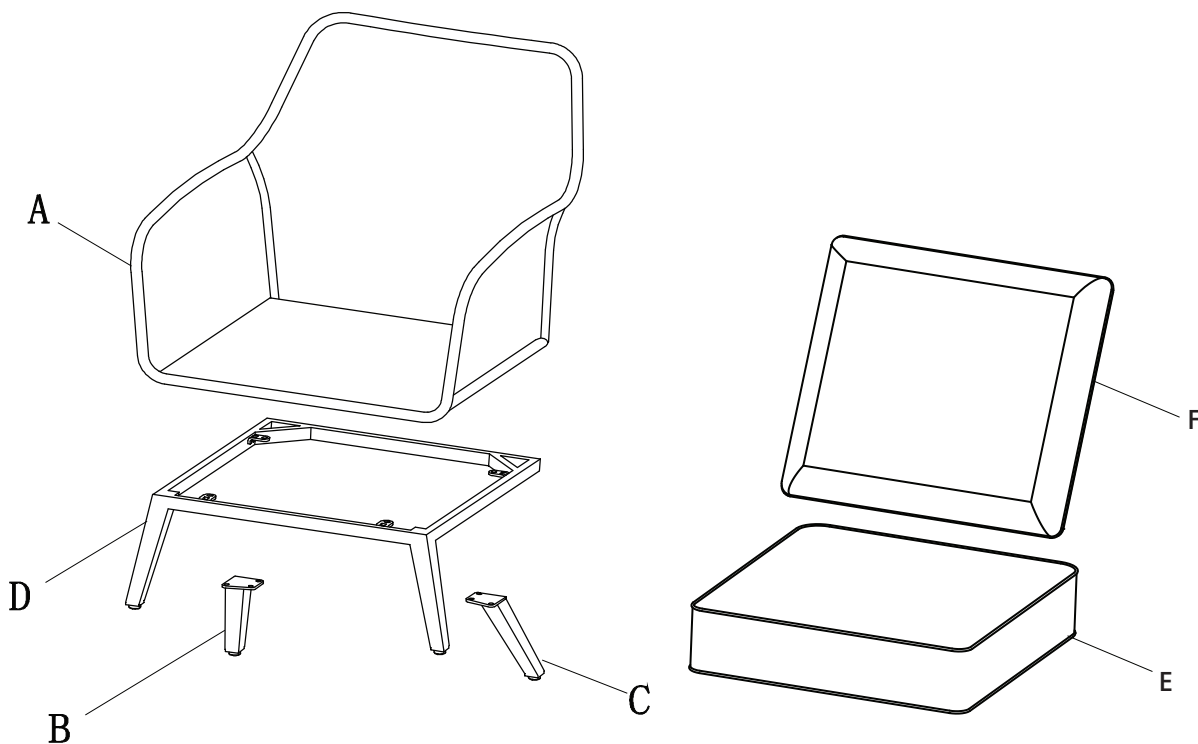


NOTE: Hardware not shown to actual size.



Part	Description	Quantity
AA	M6x15 Combination Bolt	34+2
BB	Hex Wrench	2
CC	Hand knob	16+1

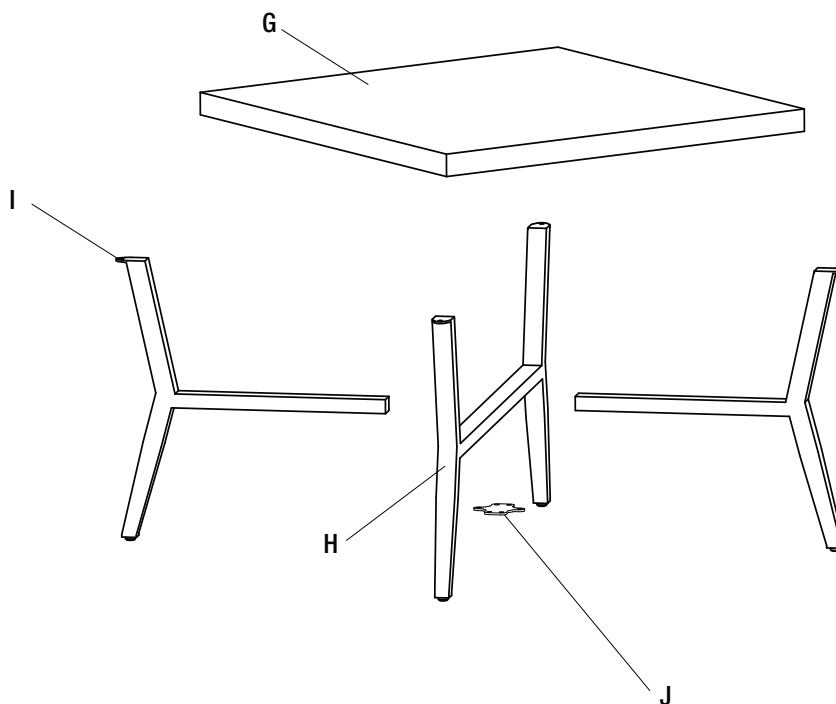
CHAIR PACKAGE CONTENTS



Part	Description	Quantity
A	Chair Bucket	4
B	Right Leg	4
C	Left Leg	4
D	Chair Base	4
E	Seat Cushion	4
F	Back Cushion	4

Pre-Assembly (continued)

TABLE PACKAGE CONTENTS

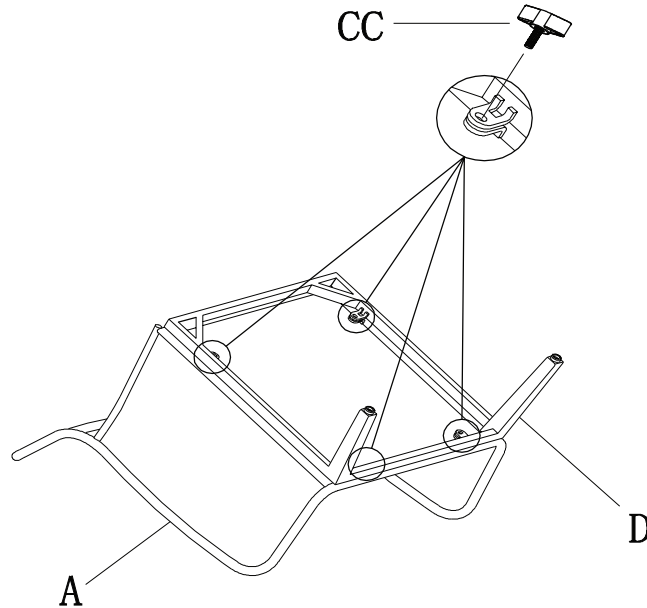


Part	Description	Quantity
G	Table Top	1
H	Upper Table Leg	1
I	Lower Table Leg	2
J	Connection Plate	1

Chair Assembly

1 Attaching The Chair base To The Chair Bucket

- Place the chair bucket (A) upside down on a soft surface.
- Attach the chair base (D) to the chair bucket (A) using hand knobs (CC).

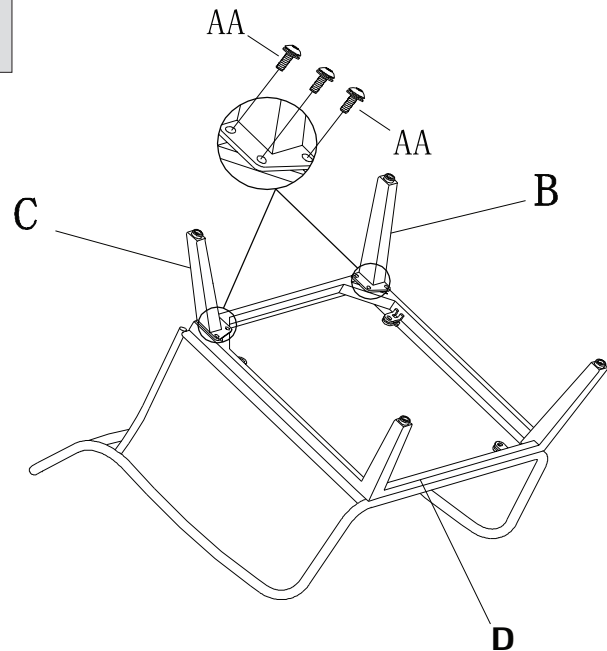


2 Attaching The Chair Leg To The Chair Base

- Attach the right leg (B) and the left leg (C) to the chair base (D) using M6x15 combination bolts (AA).



NOTE: Loosely tighten all the bolts using the hex wrench (BB).



Chair Assembly (continued)

3 Tightening All Bolts

- Once all of the bolts are in place, fully tighten the bolts using the hex wrench (BB).
- Place the back cushion (F) and seat cushion (E) on the chair.
- Ensure all connections are secure before use.

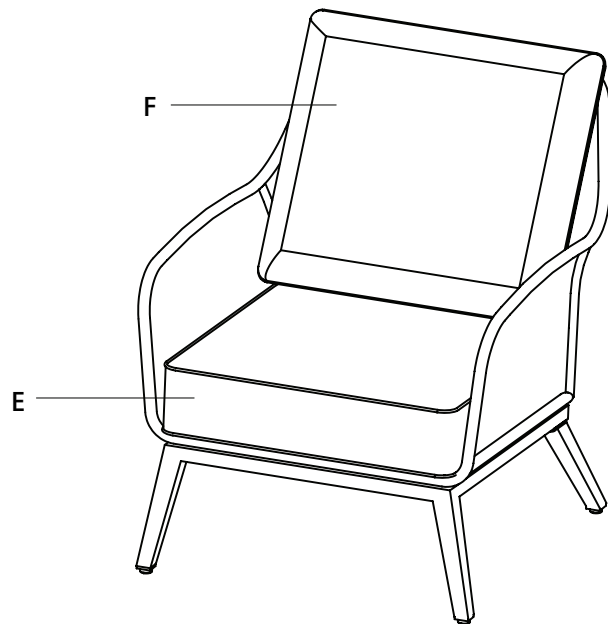
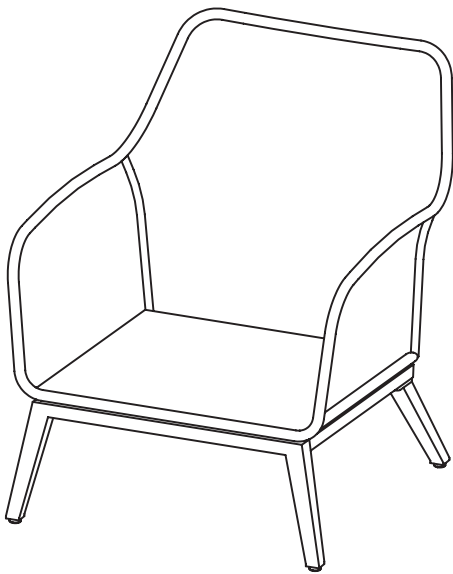


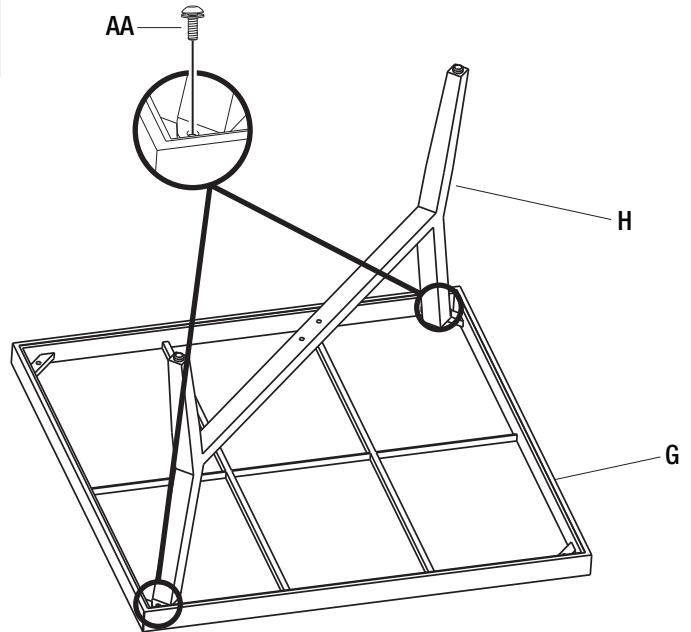
Table Assembly

1 Connecting The Upper Table Leg To The Table Top

- Place the table top (G) upside down on a soft surface.
- Attach the upper table legs (H) to the table top (G) using M6x15 combination bolts (AA).



NOTE: Loosely tighten all the bolts using the hex wrench (BB).



2 Connecting The lower table leg To The Table Top

- Connect the lower table leg (I) to the table top (G) using M6x15 combination bolts (AA).



NOTE: Loosely tighten all the bolts using the hex wrench (BB).

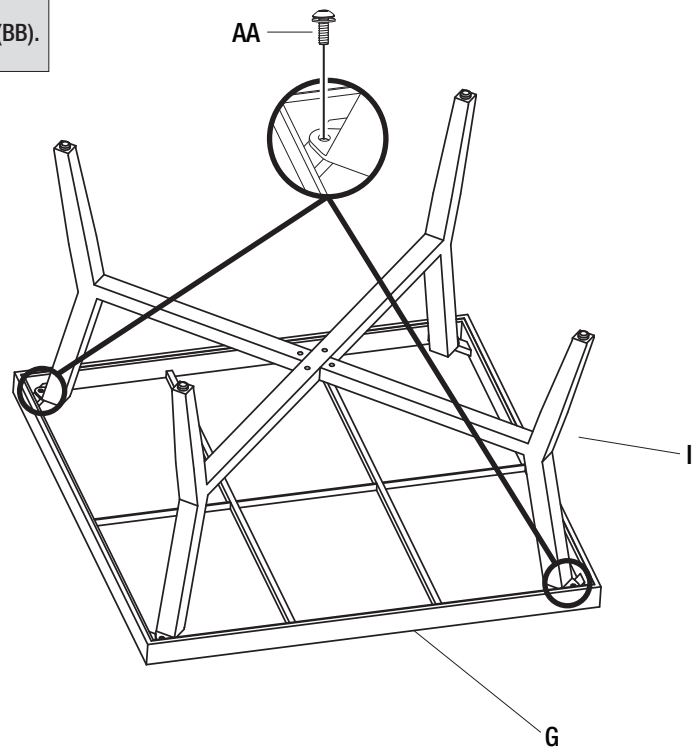


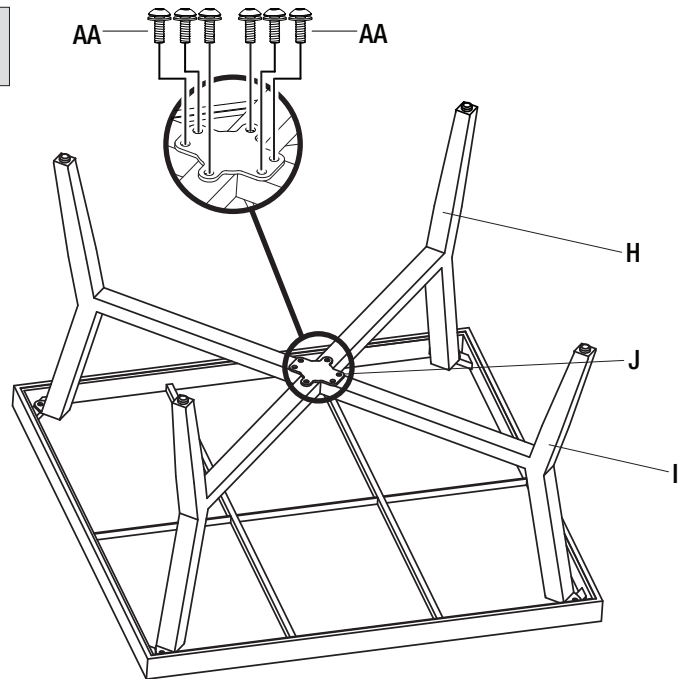
Table Assembly (continued)

3 Connecting The Connection Plate To The Table Legs

- Connect the connection plate (J) to the lower table leg (I) and the upper table leg (H) using M6x15 combination bolts (AA).

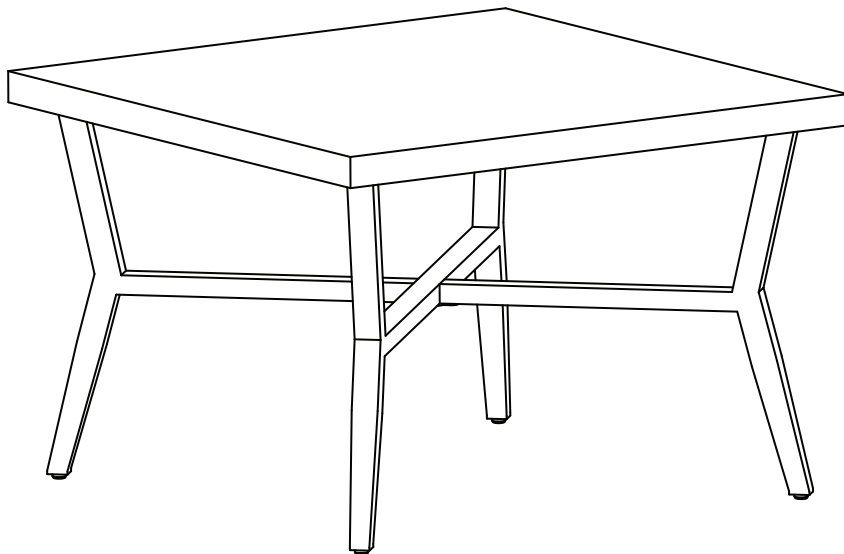


NOTE: Loosely tighten all the bolts using the hex wrench (BB).



4 Tightening The Bolts

- Once all of the bolts are in place, fully tighten all the bolts using the hex wrench (BB).
- Turn the table right side up.
- Ensure that all connections are secure.



Care and Cleaning

- For best results, clean the frame and cushions with a damp cloth and dry thoroughly. This will help prevent mildew by removing dirt particles that may accumulate.
- Do not clean with abrasive materials, bleach or solvents.
- Store the set in a dry sheltered place when not in use.
- Keep the set out of fire, extreme heat, freezing conditions, and inclement weather as rain, hail, sleet, snow, or wind.

HAMPTON BAY[®]

Questions, problems, missing parts? Before returning to the store,
call Hampton Bay Customer Service
8 a.m. – 7 p.m., EST, Monday – Friday, 9 a.m. – 6 p.m., EST, Saturday

1-855-HD-HAMPTON

HOMEDEPOT.CA

Retain this manual for future use.

For certification use only
Factory Chair ID# FRS80952
Factory Table ID# FTS81102E