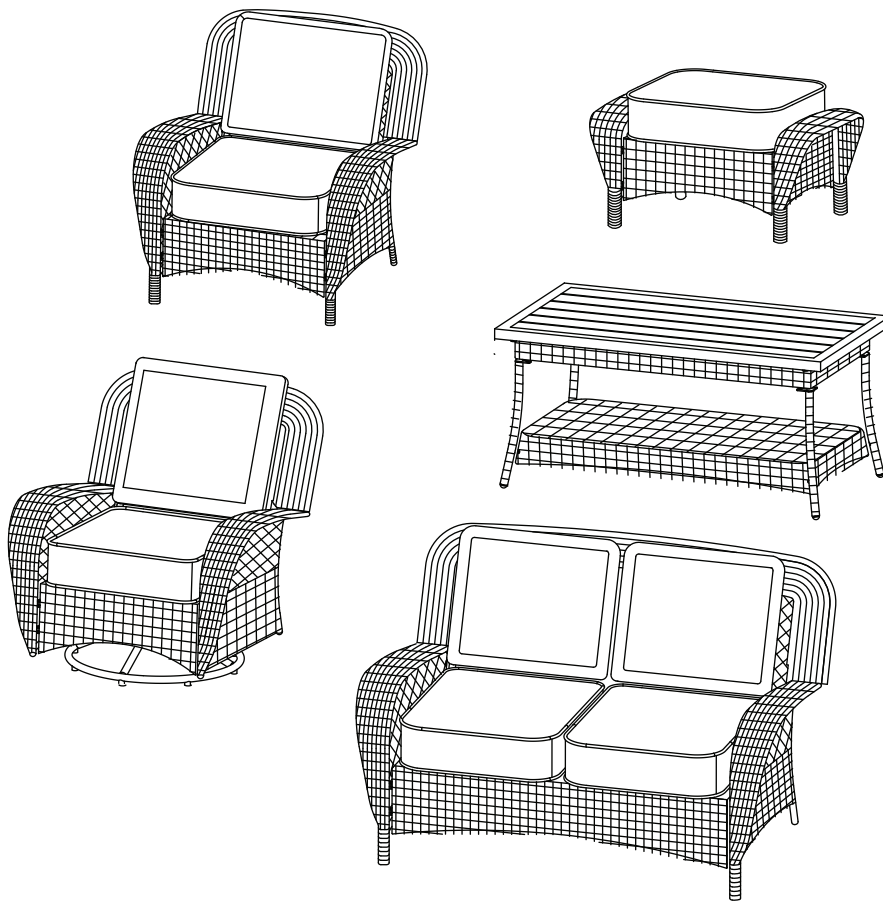


HAMPTON BAY®

USE AND CARE GUIDE

BEACON PARK 5PC DEEP SEATING SET



Questions, problems, missing parts? Before returning to the store,
call Hampton Bay Customer Service
8 a.m. - 7 p.m., EST, Monday – Friday, 9 a.m. – 6 p.m., EST, Saturday

1-855-HD-HAMPTON

HOMEDPOT.CA

THANK YOU

We appreciate the trust and confidence you have placed in Hampton Bay through the purchase of this set. We strive to continually create quality products designed to enhance your home. Visit us online to see our full line of products available for your home improvement needs. Thank you for choosing Hampton Bay!

Table of Contents

Table of Contents	2	Pre-Assembly	3
Important Safety Instructions	2	Planning Assembly	3
Save These Instructions	2	Hardware Included	3
Read All Instructions Before Use	2	Chair Package Contents	4
Warranty	3	Swivel Chair Package Contents	5
What is covered	3	Loveseat Package Contents	6
What is not covered	3	Table Package Contents	7
		Ottoman Package Contents	7
		Chair Assembly	8
		Swivel Chair Assembly	11
		Loveseat Assembly	15
		Table Assembly	18
		Ottoman Assembly	20
		Care and Cleaning	21

Important Safety Instructions

SAVE THESE INSTRUCTIONS



WARNING: THIS SET WAS MADE FOR THE EXPLICIT PURPOSE OF PROVIDING OUTDOOR FUNCTIONS AND ARE NOT TO BE USED AS A TOY. THIS PRODUCT IS INTENDED FOR NORMAL OUTDOOR USE; HOWEVER, THE MANUFACTURER RECOMMENDS STORING AND/OR COVERING THIS PRODUCT WHEN ANY FORMIDABLE/SEVERE WEATHER IS APPROACHING.



WARNING: DO NOT LOCATE THIS PRODUCT NEAR OPEN FLAMES. DO NOT USE THIS PRODUCT AS A SUPPORT. DO NOT SHAKE, LEAN OR CLIMB ON THE PRODUCT. CHILDREN UNDER THE AGE OF 10, NEAR THE PRODUCT, SHOULD BE SUPERVISED BY A COMPETENT ADULT AT ALL TIMES. THIS PRODUCT IS NOT INTENDED FOR COMMERCIAL USE AND WILL VOID THE WARRANTY.

READ ALL INSTRUCTIONS BEFORE USE

To reduce the risk of injury to persons:

1. Close supervision is necessary when this furnishing is used by or near children, or disabled persons, if applicable.
2. Use this furnishing only for its intended use as described in these instructions. Do not use attachments not recommended by the manufacturer.
3. Do not move the chairs or loveseat while it is occupied. Failure to obey this caution could result in injury.



WARNING: Never use these products as a support. Do not shake, lean, or climb on the products at any time.



WARNING: Do not place heavy objects on the chair, loveseat, ottoman or table.



CAUTION: When not in use, secure the product in a cool and covered location.



CAUTION: Do not locate the product near any heat sources.



WARNING: Weight limit for the chairs and loveseat is 250lbs (113.39Kg) for each seat.



WARNING: Please keep children out of the assembly area before assembly.



WARNING: The chair/loveseat/table/ottoman units are heavy, and may require two adults for safe assembly.

Warranty

2 YEAR FRAME AND 2 YEAR FABRIC LIMITED WARRANTY

WHAT IS COVERED

We warrant the frames to be free of manufacturing defects to the original purchaser for two years, and a two year limited warranty for the fabric.

WHAT IS NOT COVERED

It remains the customer's responsibility for freight and packaging charges to and from our service center. This warranty does not cover commercial use, hardware, acts of nature, fire, freezing and abusive use. In addition, purchased parts are not covered under this warranty. We reserve the right to make substitutions with similar merchandise, if the model in question is no longer in production.

Contact the Customer Service Team at 1-855-HD-HAMPTON or visit www.HOMEDEPOT.ca.

Pre-assembly

PLANNING ASSEMBLY

Read all instructions before assembly.

To avoid damaging this product, assemble it on a soft, non-abrasive surface such as carpet or cardboard.

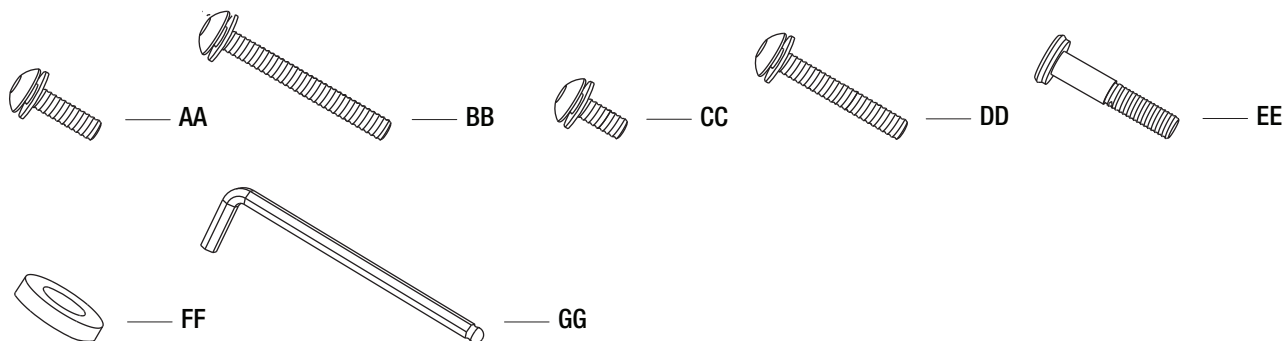


NOTE: More than one person may be required to assemble this product.

HARDWARE INCLUDED



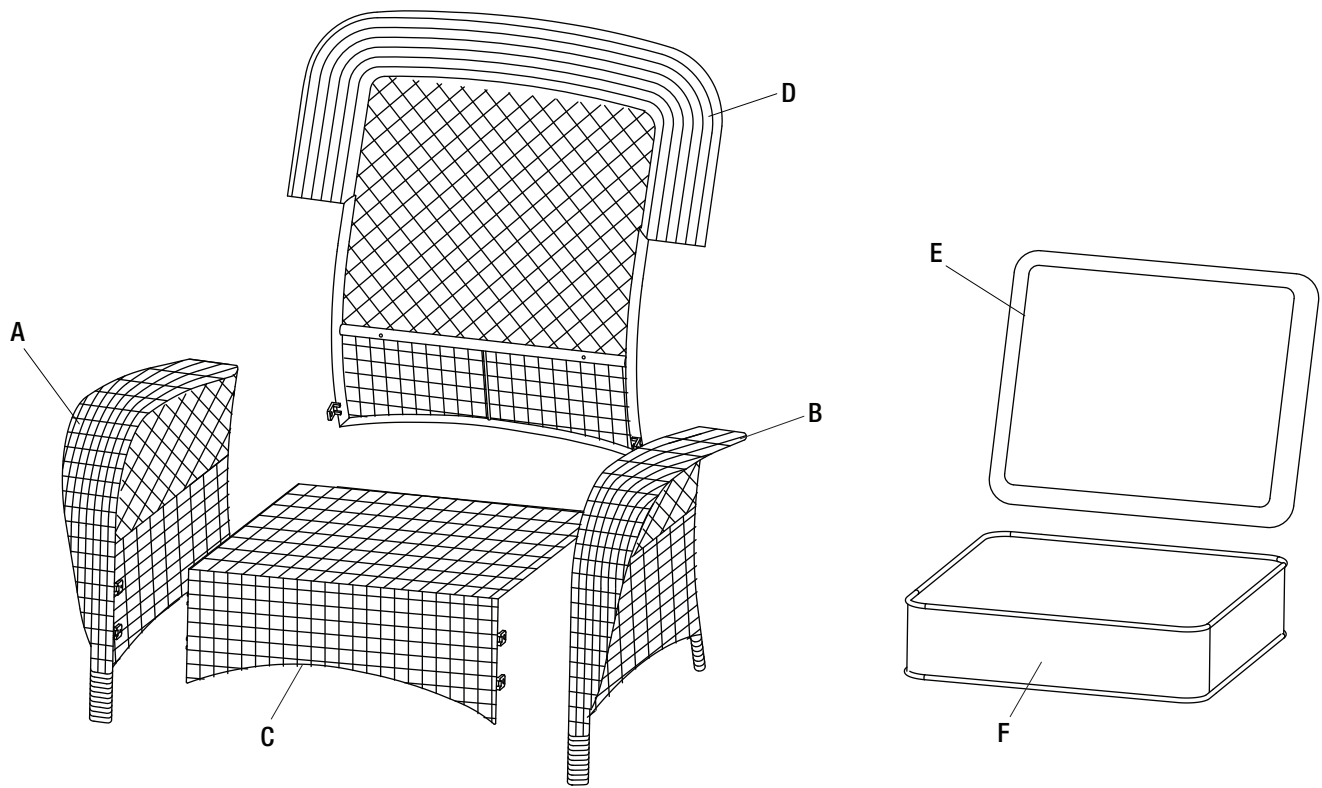
NOTE: Hardware not shown to actual size.



Part	Description	Quantity
AA	M6x20 Combination Bolt	26+1
BB	M6x50 Combination Bolt	12+1
CC	M6x15 Combination Bolt	8+1
DD	M6x40 Combination Bolt	4+1
EE	M6x18 Combination Bolt	4
FF	M6 Plastic Washer	4
GG	Hex Wrench	1

Pre-assembly (continued)

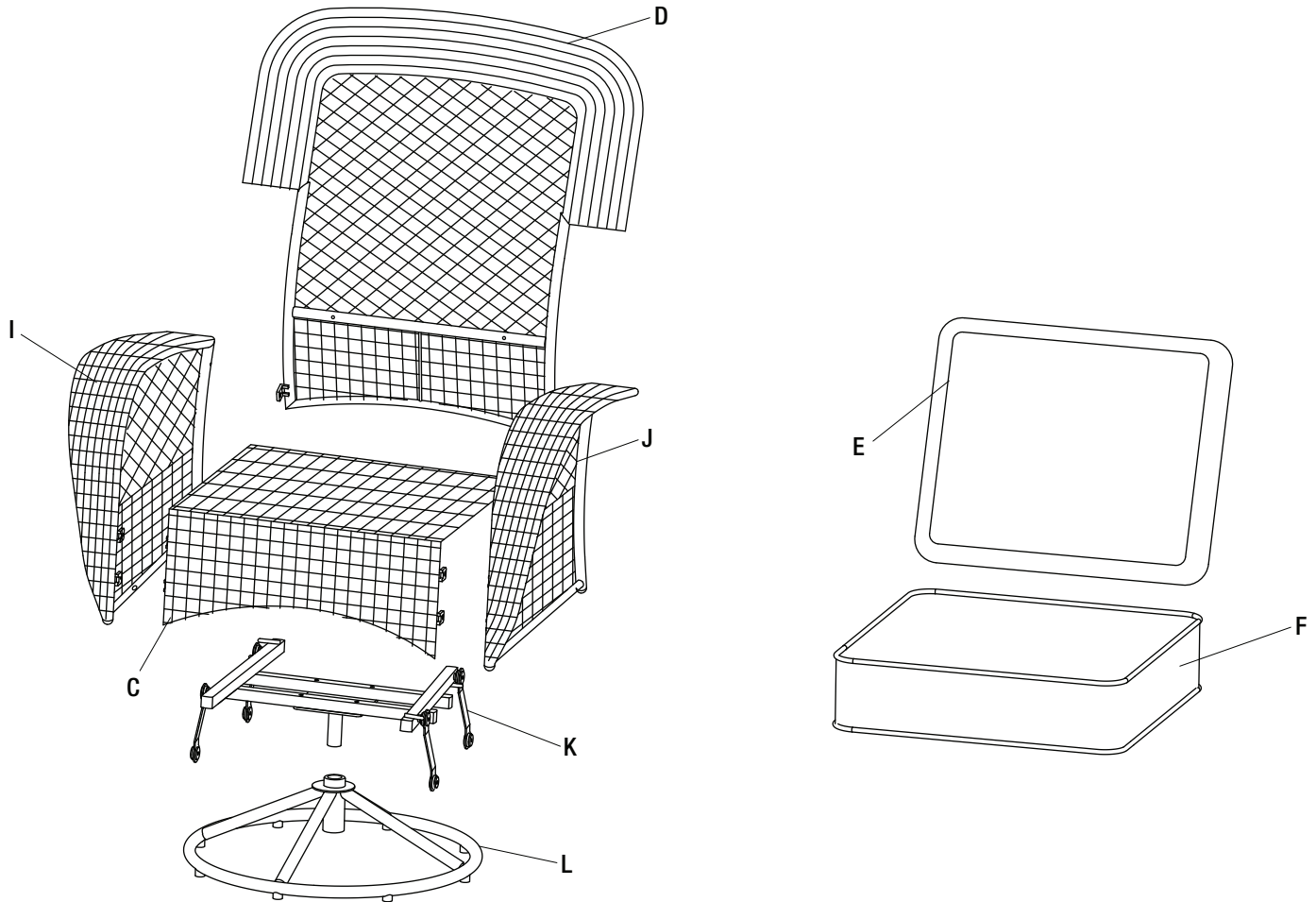
CHAIR PACKAGE CONTENTS



Part	Description	Quantity
A	Arm Chair Right Arm	1
B	Arm Chair Left Arm	1
C	Chair Seat	1
D	Chair Back	1
E	Back Cushion	1
F	Seat Cushion	1

Pre-assembly (continued)

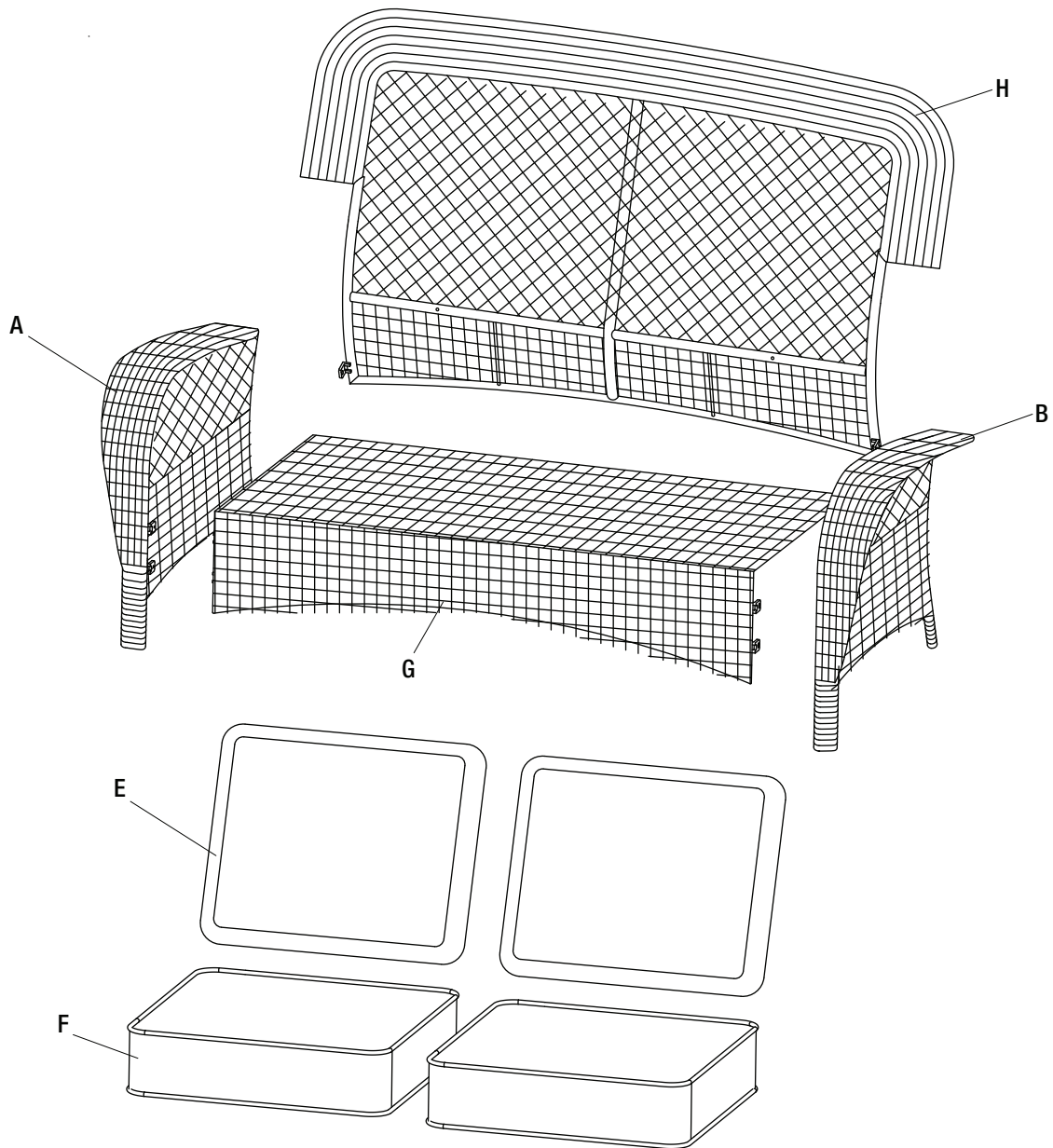
SWIVEL CHAIR PACKAGE CONTENTS



Part	Description	Quantity
I	Swivel Chair Right Arm	1
J	Swivel Chair Left Arm	1
C	Chair Seat	1
D	Chair Back	1
E	Back Cushion	1
F	Seat Cushion	1
K	Glider Base	1
L	Swivel Base	1

Pre-assembly (continued)

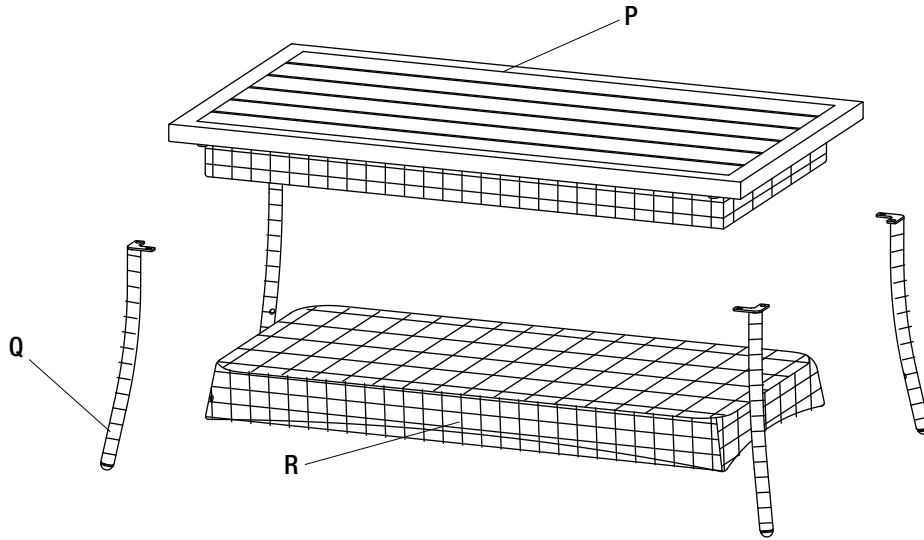
LOVESEAT PACKAGE CONTENTS



Part	Description	Quantity
A	Right Arm	1
B	Left Arm	1
G	Loveseat Seat	1
H	Loveseat Backrest	1
E	Back Cushion	2
F	Seat Cushion	2

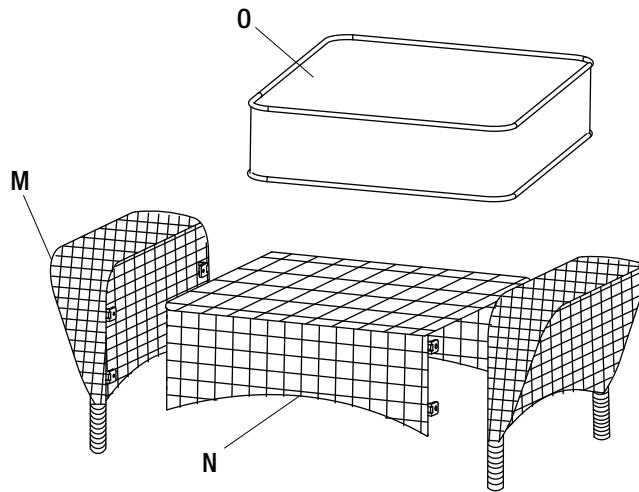
Pre-assembly (continued)

TABLE PACKAGE CONTENTS



Part	Description	Quantity
P	Table Top	1
Q	Table Leg	4
R	Parcel Shelf	1

OTTOMAN PACKAGE CONTENTS



Part	Description	Quantity
O	Ottoman Cushion	1
M	Ottoman Arm	2
N	Ottoman Seat	1

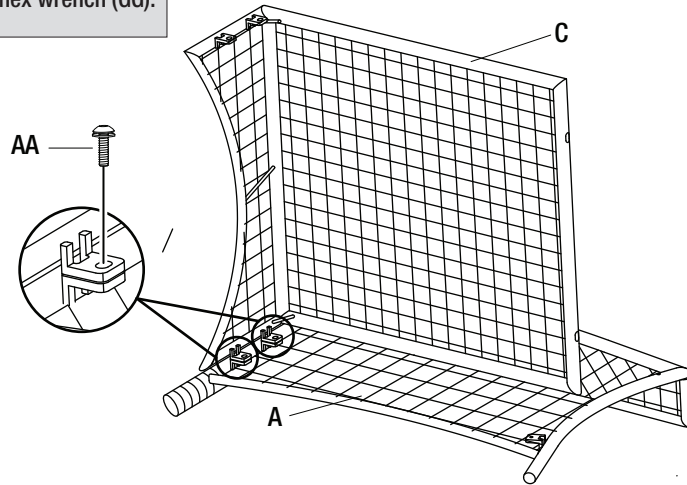
Chair Assembly

1 Attaching The Right Arm To The Seat

- Place the right arm (A) on a soft surface.
- Align the holes on the right panel of the chair seat (C) to the holes on the front of the right arm (A), and secure with M6x20 combination bolts (AA).
- Do not fully tighten all bolts at this step.



NOTE: Loosley tighten all the bolts using the hex wrench (GG).

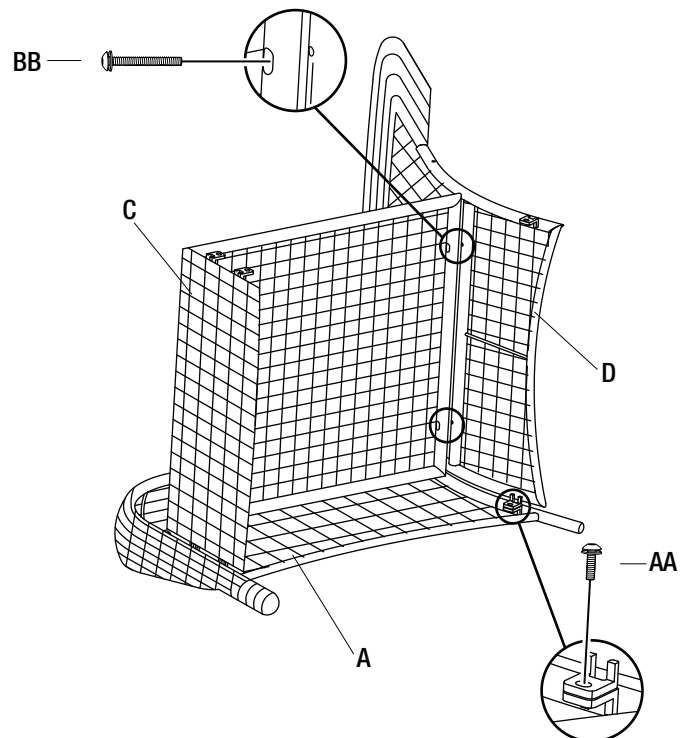


2 Attaching The Backrest To The Seat And The Right Arm

- Attach the chair back (D) to the right arm (A) and the chair seat (C), using an M6x20 combination bolt (AA) and M6x50 combination bolt (BB).
- Do not fully tighten all bolts at this step.



NOTE: Loosley tighten all the bolts using the hex wrench (GG).



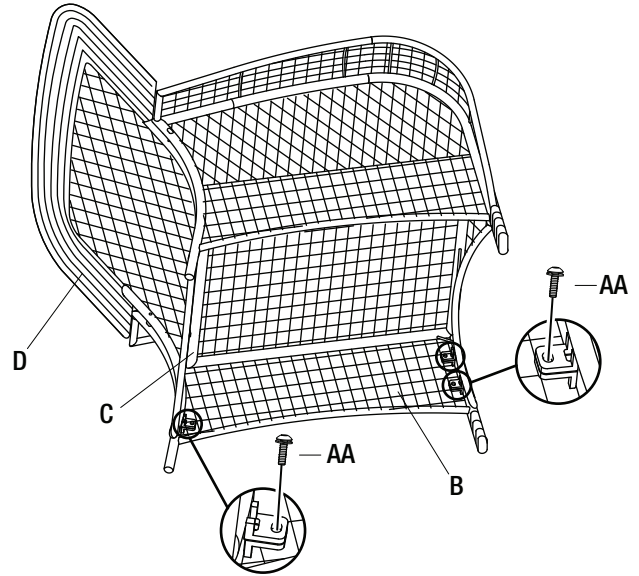
Chair Assembly (continued)

3 Connecting The Left Arm To The Seat And The Backrest

- Connect the left arm (B) to the chair seat (C) and the chair back (D) using M6x20 combination bolts (AA).
- Do not fully tighten all bolts at this step.



NOTE: Loosley tighten all the bolts using the hex wrench (GG).

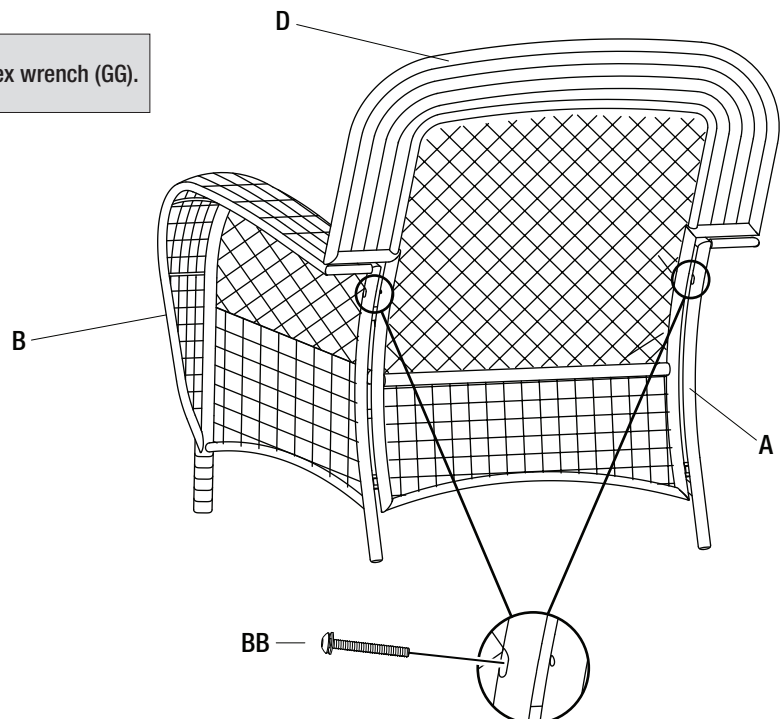


4 Connecting The Arms To The Backrest

- Turn the chair right side up.
- Connect the back of the right and the left arm (A & B) to the chair back (D) by using M6x50 combination bolts (BB).
- Do not tighten all bolts at this step.



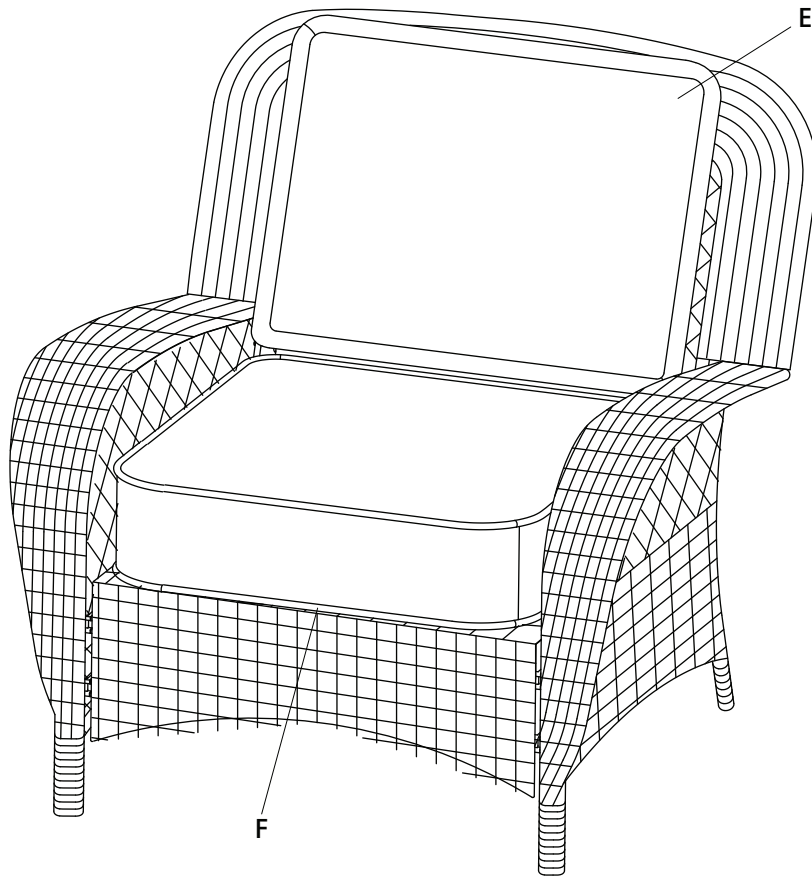
NOTE: Loosley tighten all the bolts using the hex wrench (GG).



Chair Assembly (continued)

5 Tightneing The Bolts

- Once all of the bolts are in place, fully tighten the bolts using the hex wrench (GG).
- Place the seat cushion (F) and the back cushion (E) on to finish the assembly of the chair.
- Ensure all connections are secure before use.



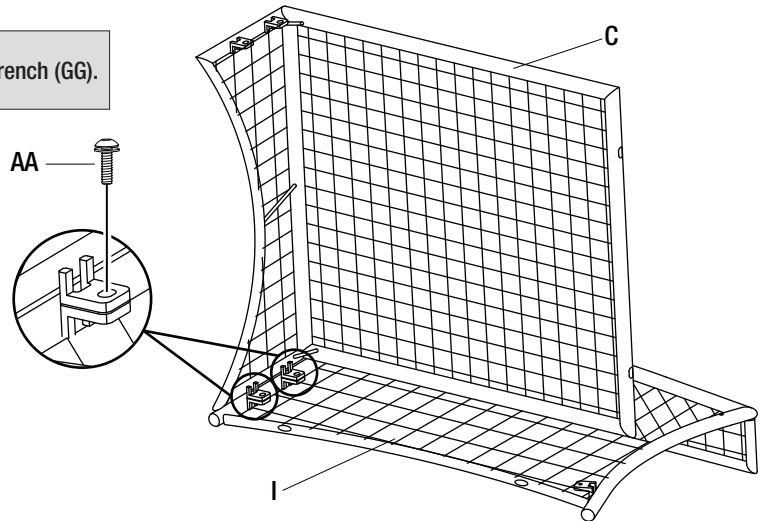
Swivel Chair Assembly

1 Attaching Swivel Chair Right Arm To The Seat

- Place the swivel chair right arm (I) on a soft surface.
- Align the holes on the right panel of the seat (C) to the holes on the front of the swivel chair right arm (I), and secure by using M6x20 combination bolts (AA).
- Do not fully tighten all bolts at this step.



NOTE: Loosley tighten all the bolts using the hex wrench (GG).

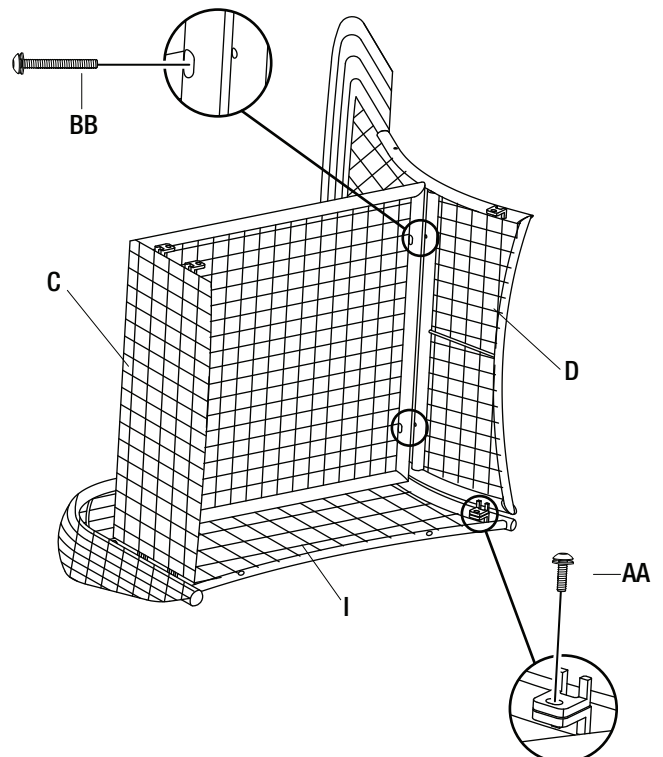


2 Attaching The Backrest To The Seat And The Swivel Chair Right Arm

- Attach the backrest (D) to swivel chair right arm (I) the and the seat (C) using an M6x20 combination bolt (AA) and M6x50 combination bolts (BB).
- Do not fully tighten all bolts at this step.



NOTE: Loosley tighten all the bolts using the hex wrench (GG).



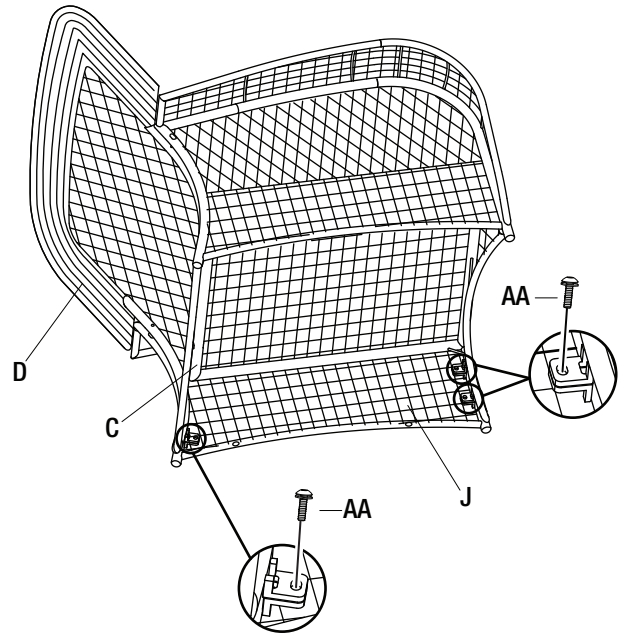
Swivel Chair Assembly (continued)

3 Connecting The Swivel Chair Left Arm To The Seat And The Backrest

- Connect the swivel chair left arm (J) to the seat (C) and the backrest (D) using M6x20 combination bolts (AA).
- Do not fully tighten all bolts at this step.



NOTE: Loosley tighten all the bolts using the hex wrench (GG).

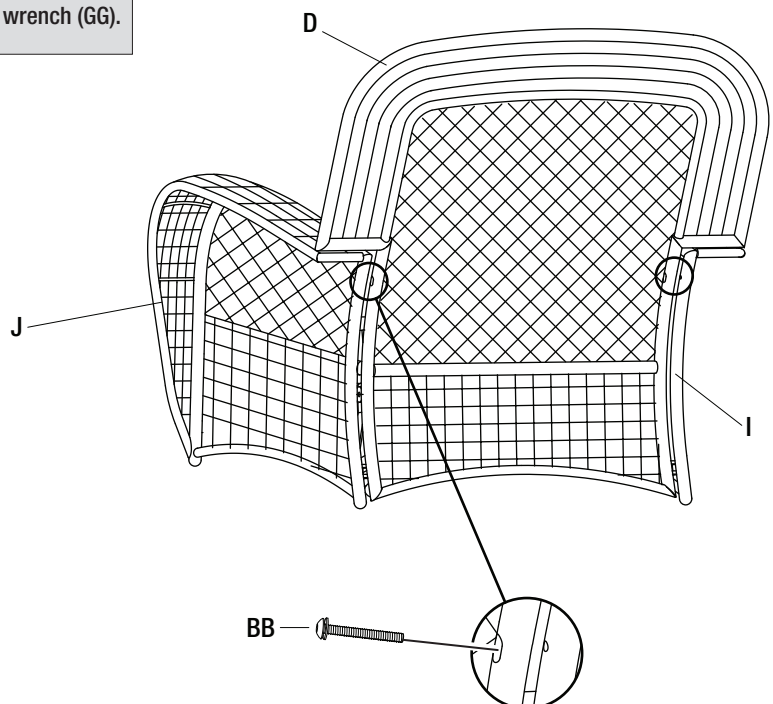


4 Connecting The Arms To The Backrest

- Connect the back of the swivel chair right and the left arm (I & J) to the backrest (D) by inserting M6x50 combination bolts (BB).
- Do not fully tighten all bolts at this step.



NOTE: Loosley tighten all the bolts using the hex wrench (GG).



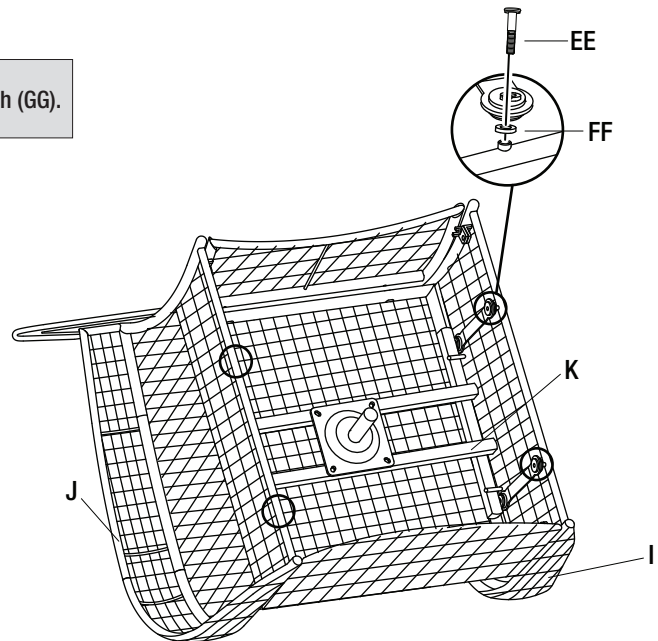
Swivel Chair Assembly (continued)

5 Attaching The Glider Base To The Arms

- Attach the glider base (K) to the swivel chair arms (I & J) using M6x18 combination bolts (EE) and M6 plastic washers (FF).
- Do not fully tighten all bolts at this step.

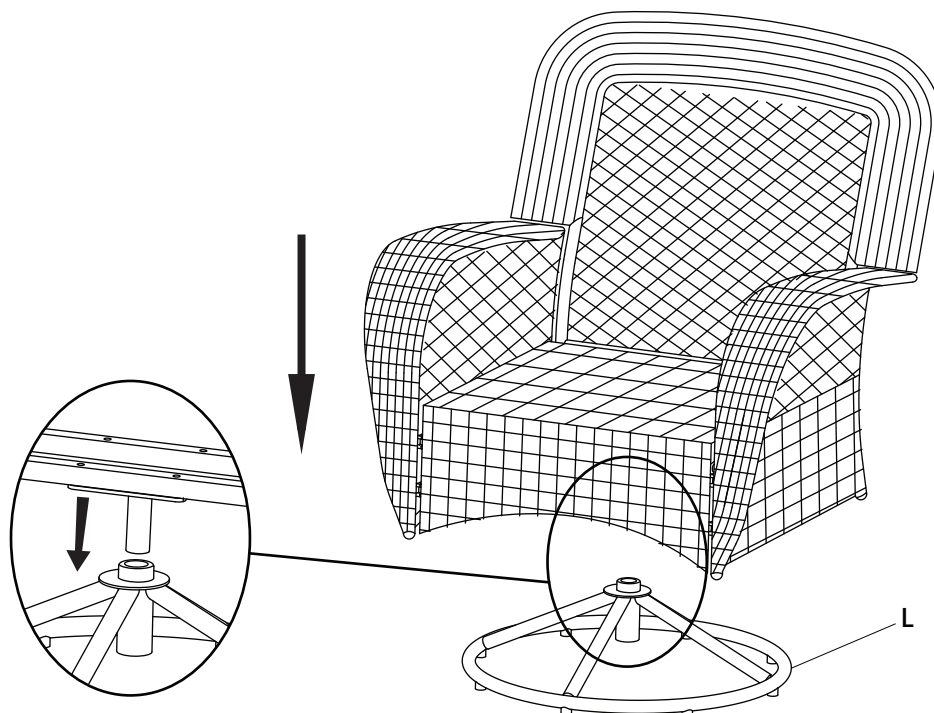


NOTE: Loosely tighten all the bolts using the hex wrench (GG).



6 Tightening All Bolts, Connecting The Support Bar To The Swivel Base

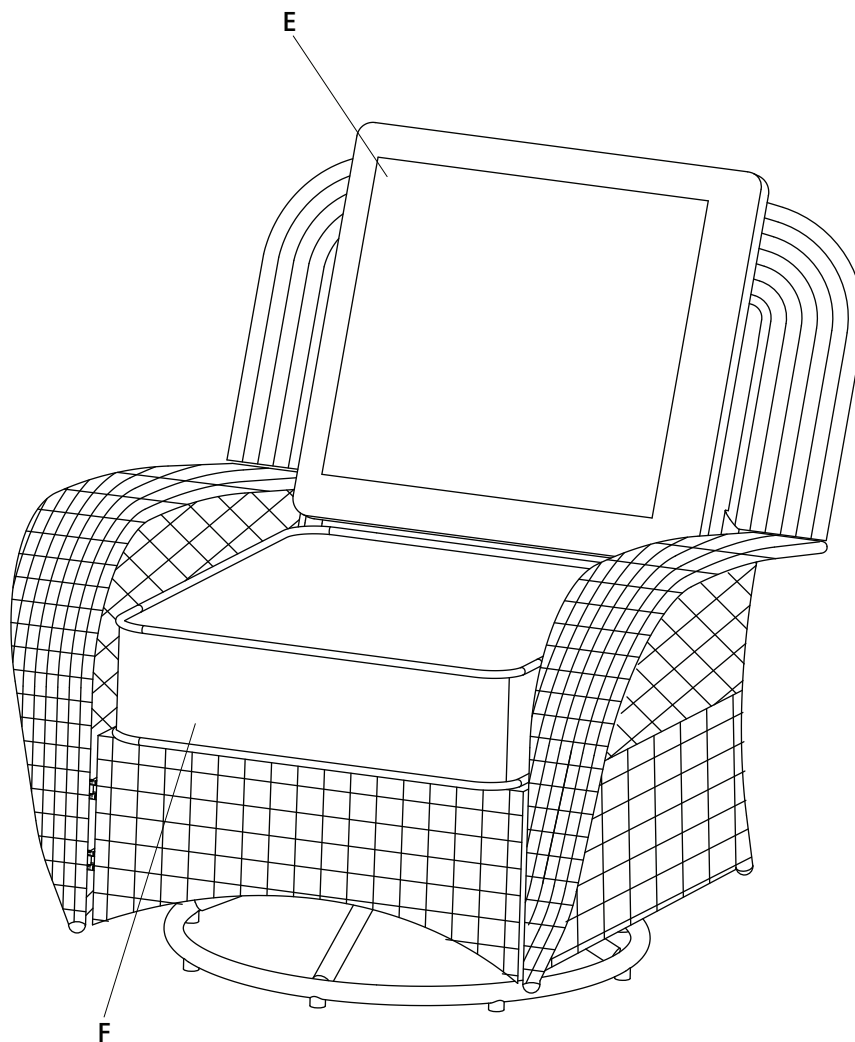
- Once all of the bolts are in place, fully tighten the bolts using the hex wrench (GG).
- Turn the chair right side up, and insert the support bar to the swivel base (L).



Swivel Chair Assembly (continued)

7 Checking The Chair

- Place the seat and the back cushion (F & E) to finish the assembly of the chair.
- Ensure all connections are secure before use.



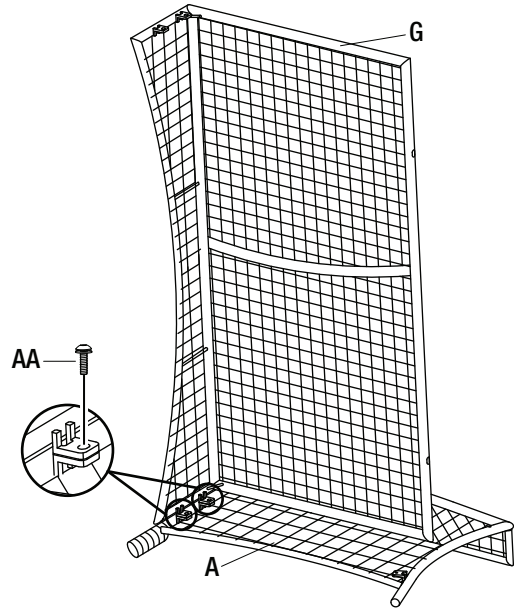
Loveseat Assembly

1 Attaching The Right Arm To The Loveseat Seat

- Place the right arm (A) on a soft surface.
- Align the holes on the right panel of the loveseat seat (G) to the holes on the front of the right arm (A), and secure with M6x20 combination bolts (AA) using the hex wrench (CC).
- Do not fully tighten all bolts at this step.



NOTE: Loosley tighten all the bolts using the hex wrench (GG).

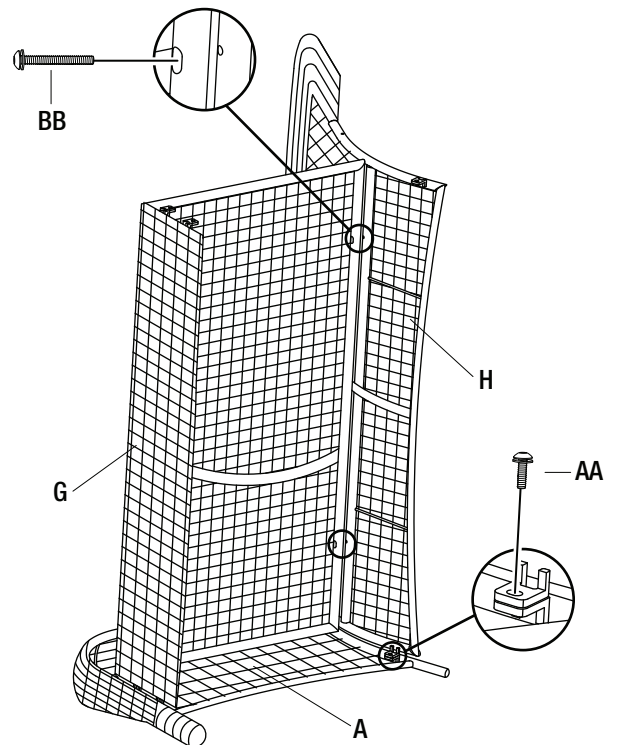


2 Attaching The Loveseat Backrest To The Loveseat Seat And The Right Arm

- Attach the loveseat backrest (H) to the right arm (A) and the loveseat seat (G) using an M6x20 combination bolt (AA) and a M6x50 combination bolt (BB).
- Do not fully tighten all bolts at this step.



NOTE: Loosley tighten all the bolts using the hex wrench (GG).



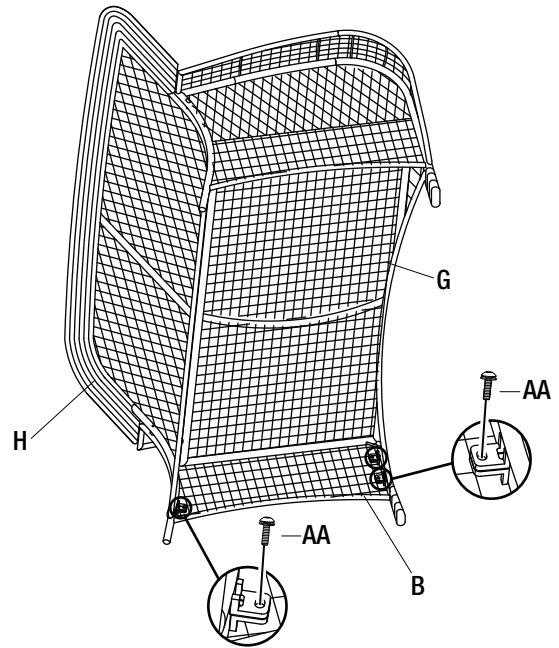
Loveseat Assembly (continued)

3 Attaching The Left Arm To The Loveseat Seat And The Loveseat Backrest

- Connect the left arm (B) to the loveseat seat (G) and the loveseat back (H) using M6x20 combination bolts (AA).
- Do not fully tighten all bolts at this step.



NOTE: Loosley tighten all the bolts using the hex wrench (GG).

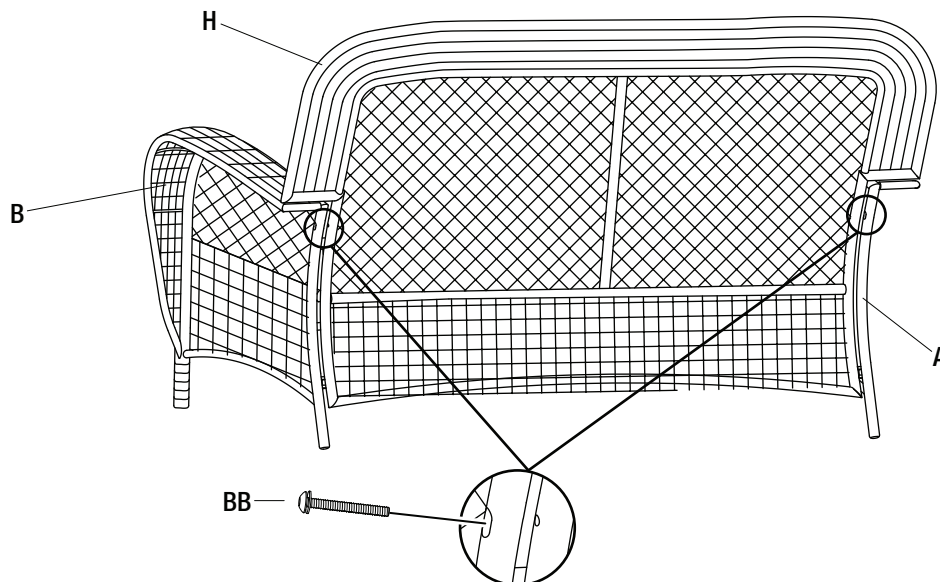


4 Attaching The The Arms To The Loveseat Backrest

- Turn the loveseat right side up.
- Connect the back of the right and the left arm (A & B) to the loveseat backrest (H) by using M6x50 combination bolts (BB).
- Do not tighten all bolts at this step.



NOTE: Loosley tighten all the bolts using the hex wrench (GG).



Loveseat Assembly (continued)

5 Tightening The Bolts

- Once all of the bolts are in place, fully tighten the bolts using the hex wrench (GG).
- Place the back cushion (E) and seat cushion (F) onto the loveseat chair.
- Ensure all connections are secure before use.

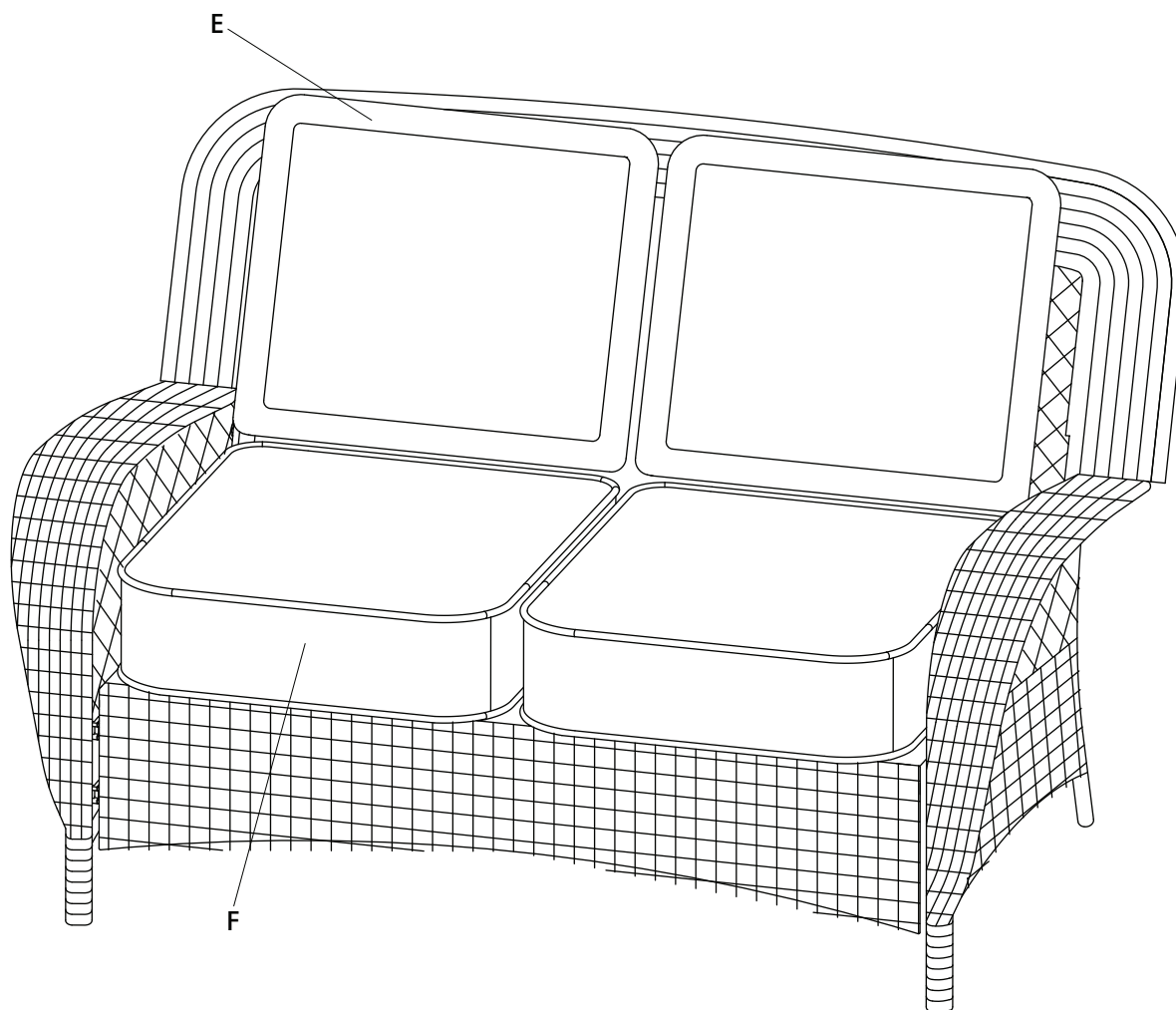


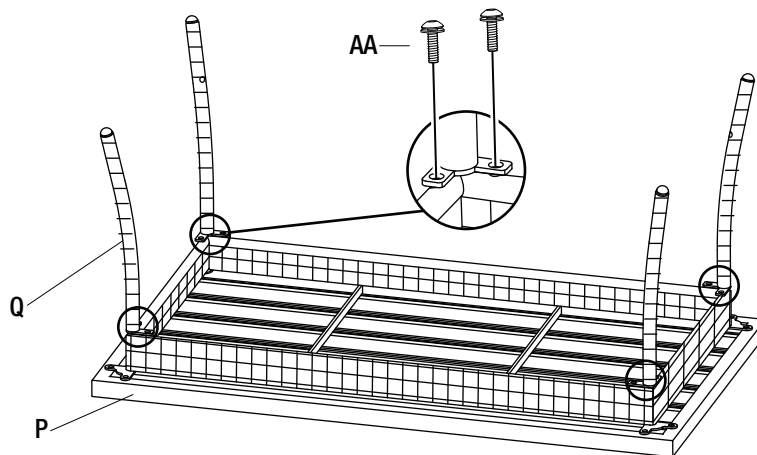
Table Assembly

1 Connecting The Table Leg To The Table Top

- Place the table top (P) upside down on a soft surface.
- Attach the table legs (Q) to the table top (P) using the M6x20 combination bolt (AA).
- Do not fully tighten all bolts at this step.



NOTE: Loosely tighten all the bolts using the hex wrench (GG).



2 Connecting The Parcel Shelf To The Table Legs

- Attach the table parcel shelf (R) to the table legs (Q) using the M6x40 combination bolts (DD).
- Do not tighten the bolts at this step.



NOTE: Loosely tighten all the bolts using the hex wrench (GG).

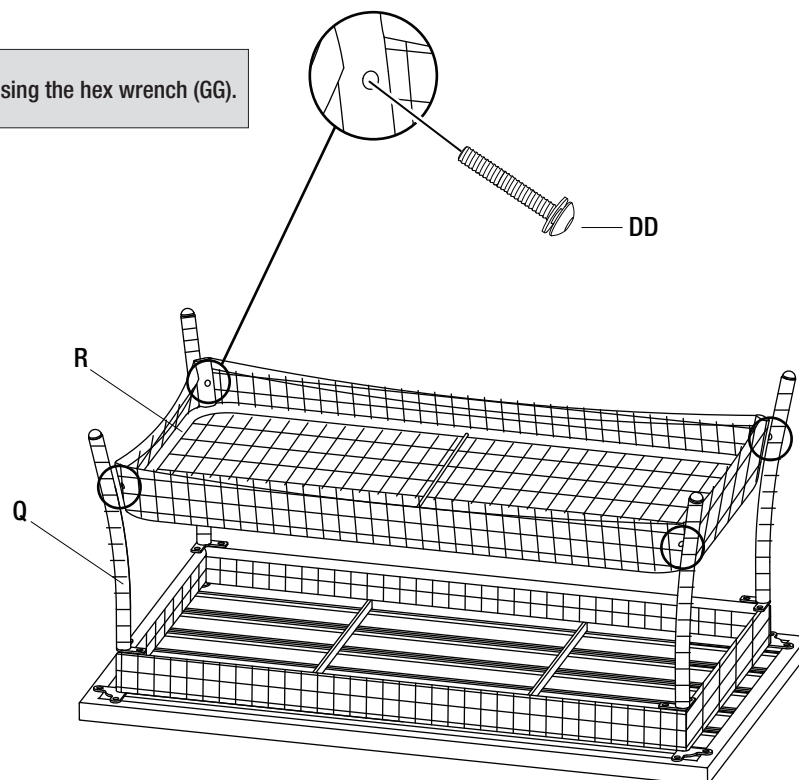
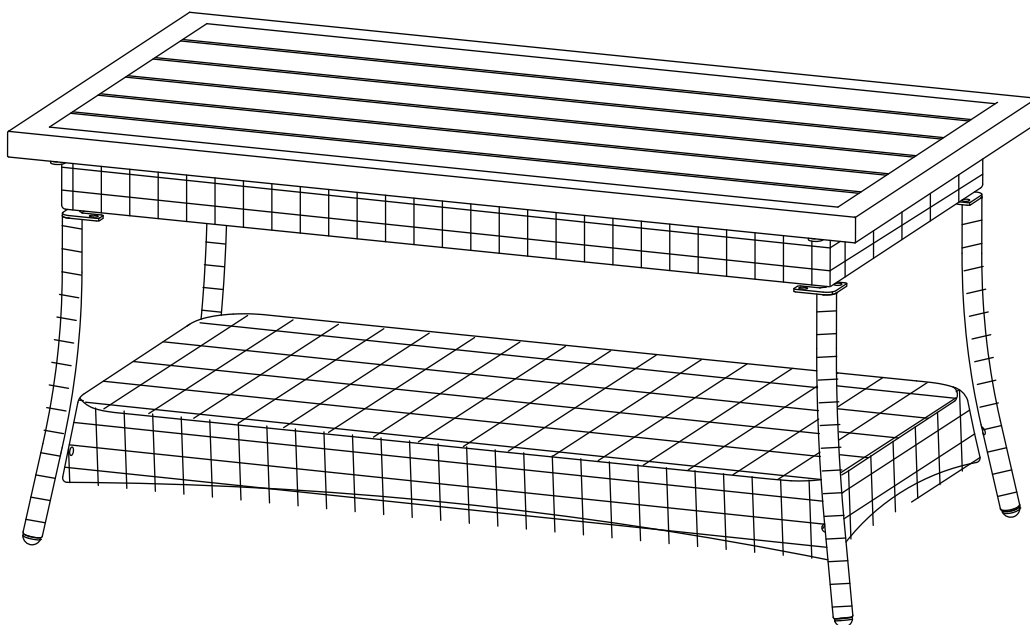


Table Assembly (continued)

3 Tightening The Bolts

- Once all of the bolts are in place, fully tighten all the bolts using the hex wrench (GG).
- Turn the table right side up.
- Ensure that all connections are secure.



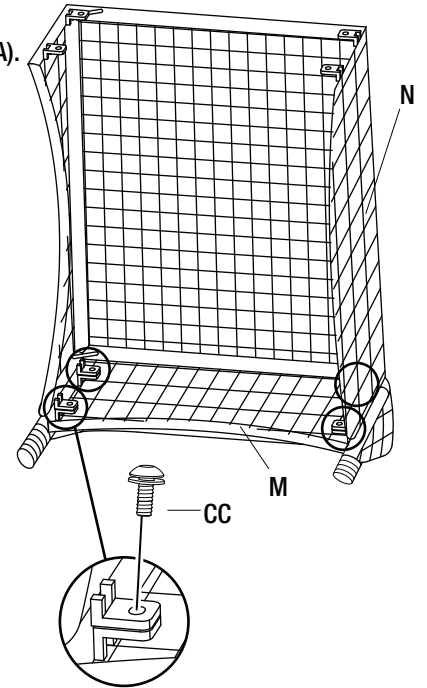
Ottoman Assembly

1 Attaching The Ottoman Seat To The Ottoman Arm

- Place the ottoman arm (M) on a soft surface.
- Attach the ottoman seat (N) to the ottoman arm (M) using the M6x15 combination bolts (AA).
- Do not fully tighten the bolts at this step.

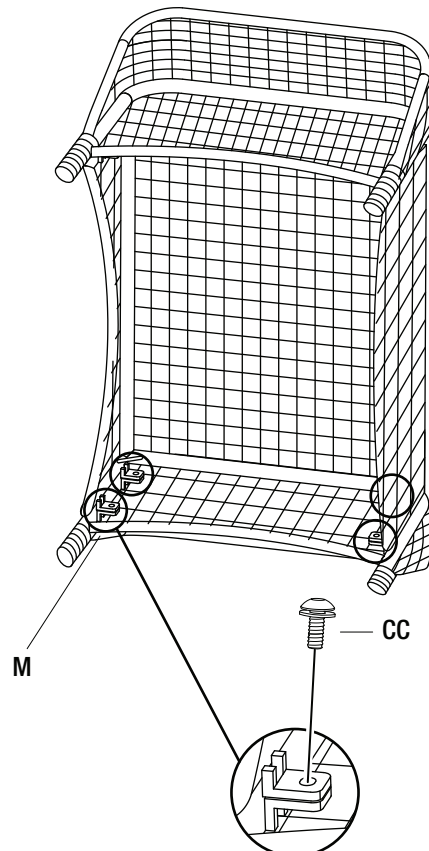


NOTE: Loosely tighten all the bolts using the hex wrench (GG).



2 Attaching The Ottoman Seat To The Ottoman Arm

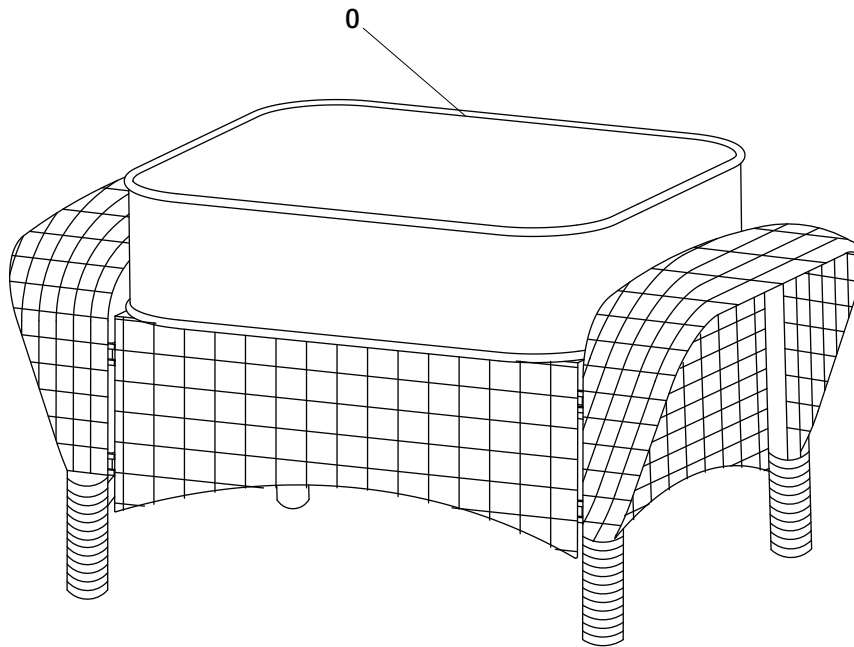
- Repeat step 1 to attach the ottoman seat (N) to the other arm (M).
- Do not tighten all bolts at this step.



Ottoman Assembly (continued)

3 Tightening The Bolts

- Once all of the bolts are in place, fully tighten the bolts.
- Turn the ottoman right side up.
- Ensure all connections are secure before use.
- Place the ottoman cushion (0) on to finish the assembly of the ottoman.



Care and Cleaning

- For best results, clean the frame and cushions with a damp cloth and dry thoroughly. This will help prevent mildew by removing dirt particles that may accumulate.
- Do not clean with abrasive materials, bleach or solvents.
- Store the set in a dry sheltered place when not in use.
- Keep the set away from fire, extreme heat, freezing conditions, and inclement weather such as rain, hail, sleet, snow, or wind.

HAMPTON BAY[®]

Questions, problems, missing parts? Before returning to the store,
call Hampton Bay Customer Service
8 a.m. – 7 p.m., EST, Monday – Friday, 9 a.m. – 6 p.m., EST, Saturday

1-855-HD-HAMPTON

HOMEDEPOT.CA

Retain this manual for future use.

For certification use only
Factory Chair ID# FRS80812C
Factory Swivel Chair ID# FRS80812CRS
Factory Loveseat ID# FRS80812CL
Factory Table ID# FWS80486D
Factory Ottoman ID# FRS80812CF