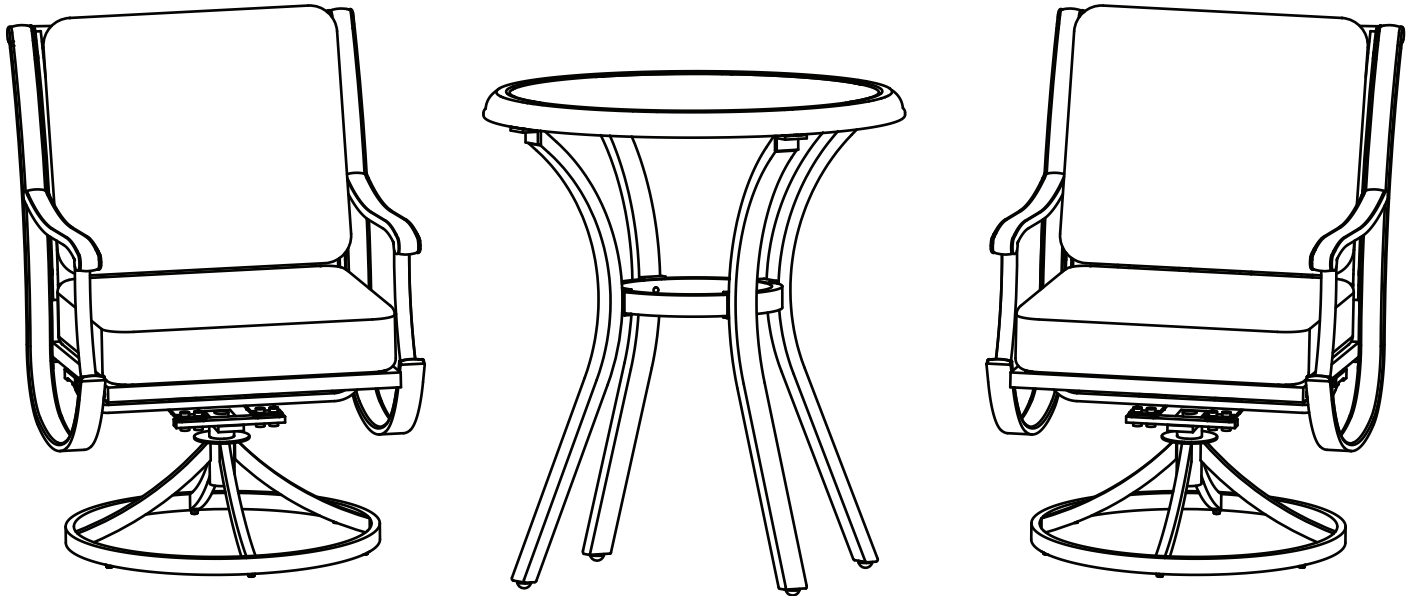


HAMPTON BAY

USE AND CARE GUIDE

REDWOOD VALLEY 3 PIECE BISTRO



Questions, problems, missing parts? Before returning to the store,
call Hampton Bay Customer Service.
8 a.m. - 7 p.m., EST, Monday - Friday, 9 a.m. - 6 p.m., EST, Saturday

1-855-HD-HAMPTON

HOMEDEPOT.CA

THANK YOU

We appreciate the trust and confidence you have placed in Hampton Bay through the purchase of this set. We strive to continually create quality products designed to enhance your home. Visit us online to see our full line of products available for your home improvement needs. Thank you for choosing Hampton Bay!

Table of Contents

Table of Contents.....	2	Pre-Assembly	3
Important Safety Instructions	2	Planning Assembly.....	3
Save These Instructions	2	Hardware included.....	3
Read All Instructions Before Use	2	Swivel Chair Packaging Contents.....	4
Warranty	3	Table Packaging Contents	5
What is Covered	3	Chair Assembly	6
What is Not Covered	3	Table Assembly	12
		Care and Cleaning.	14

Important Safety Instructions

SAVE THESE INSTRUCTIONS



WARNING: This bistro set was made for the explicit purpose of providing outdoor functions and is not to be used as a toy. This product is intended for normal outdoor use; however, the manufacturer recommends storing and / or covering this set when any formidable / severe weather is approaching.



WARNING: Do not locate this product near open flames. Do not use this product as a support. Do not shake, lean or climb on the product. Children under the age of 10, near the product, should be supervised by a competent adult at all times. This product is NOT intended for commercial use and will void the warranty.

READ ALL INSTRUCTIONS BEFORE USE

To reduce the risk of injury to persons:

1. Close supervision is necessary when this product is used by or near children, or disabled persons, if applicable.
2. Use this furnishing only for its intended use as described in these instructions. Do not use attachments not recommended by the manufacturer.
3. Do not move the chairs while the chairs are occupied. Failure to obey this caution could result in injury.
4. Do not rock in the chair as you may fall and cause serious injury.
5. Please keep children out of the assembly area before assembly.



WARNING: This set unit is heavy, and may require two adults for safe assembly.



WARNING: Do not place heavy objects on the chair.



WARNING: Do not place heavy objects on the table.



WARNING: Weight limit for the chairs is 250 lbs. (113.39 kg) for each seat.



CAUTION: When not in use, secure the product in a cool and covered location.



CAUTION: Do not locate the product near any heat source.

Warranty

2 YEAR FRAME AND 2 YEAR FABRIC LIMITED WARRANTY

WHAT IS COVERED

We warrant the frames to be free of manufacturing defects to the original purchaser for two years, and a two year limited warranty for the fabric.

WHAT IS NOT COVERED

It remains the customer's responsibility for freight and packaging charges to and from our service center. This warranty does not cover commercial use, hardware, acts of nature, fire, freezing and abusive use. In addition, purchased parts are not covered under this warranty. We reserve the right to make substitutions with similar merchandise, if the model in question is no longer in production.

Contact the Customer Service Team at 1-855-HD-HAMPTON or visit www.HomeDepot.ca.

Pre-Assembly

PLANNING ASSEMBLY

Read all instructions before assembly.

To avoid damaging this product, assemble it on a soft, non-abrasive surface such as carpet or cardboard.



NOTE: More than one person may be required to assemble this product.

HARDWARE INCLUDED



NOTE: Hardware not shown to actual size.



AA



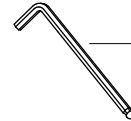
BB



CC



DD



EE

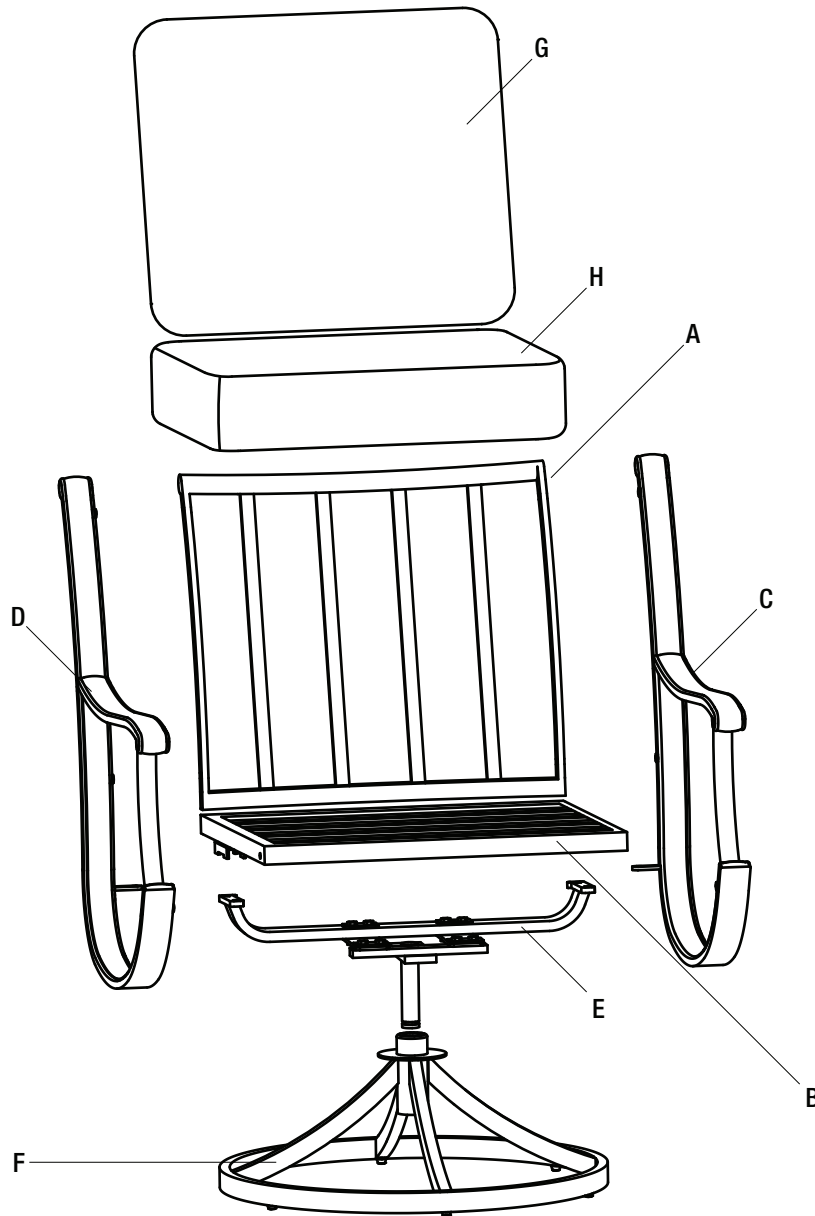


EE

Part	Description	Quantity
AA	M6x15 combination bolt	12+1
BB	M6x25 combination bolt	12+1
CC	M6x30 combination bolt	4+1
DD	M8x20 combination hex bolt	8+1
EE	Hex wrench	1
FF	Wrench	1

Pre-Assembly (continued)

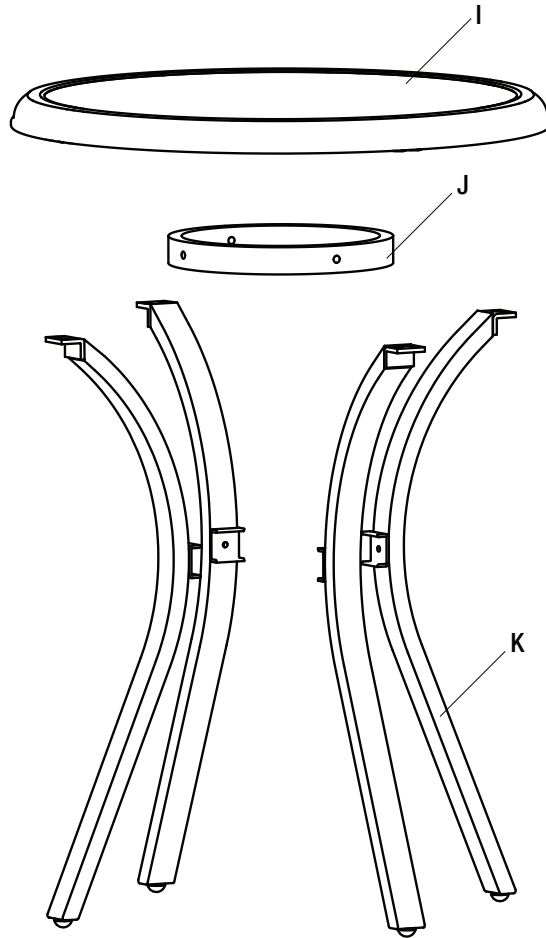
SWIVEL CHAIR PACKAGE CONTENTS



Part	Description	Quantity
A	Chair back	2
B	Chair seat	2
C	Left arm	2
D	Right arm	2
E	Support Bar	2
F	Base	2
G	Back cushion	2
H	Seat cushion	2

Pre-Assembly (continued)

TABLE PACKAGE CONTENTS



Part	Description	Quantity
I	Table top	1
J	Leg connection	1
K	Table leg	4

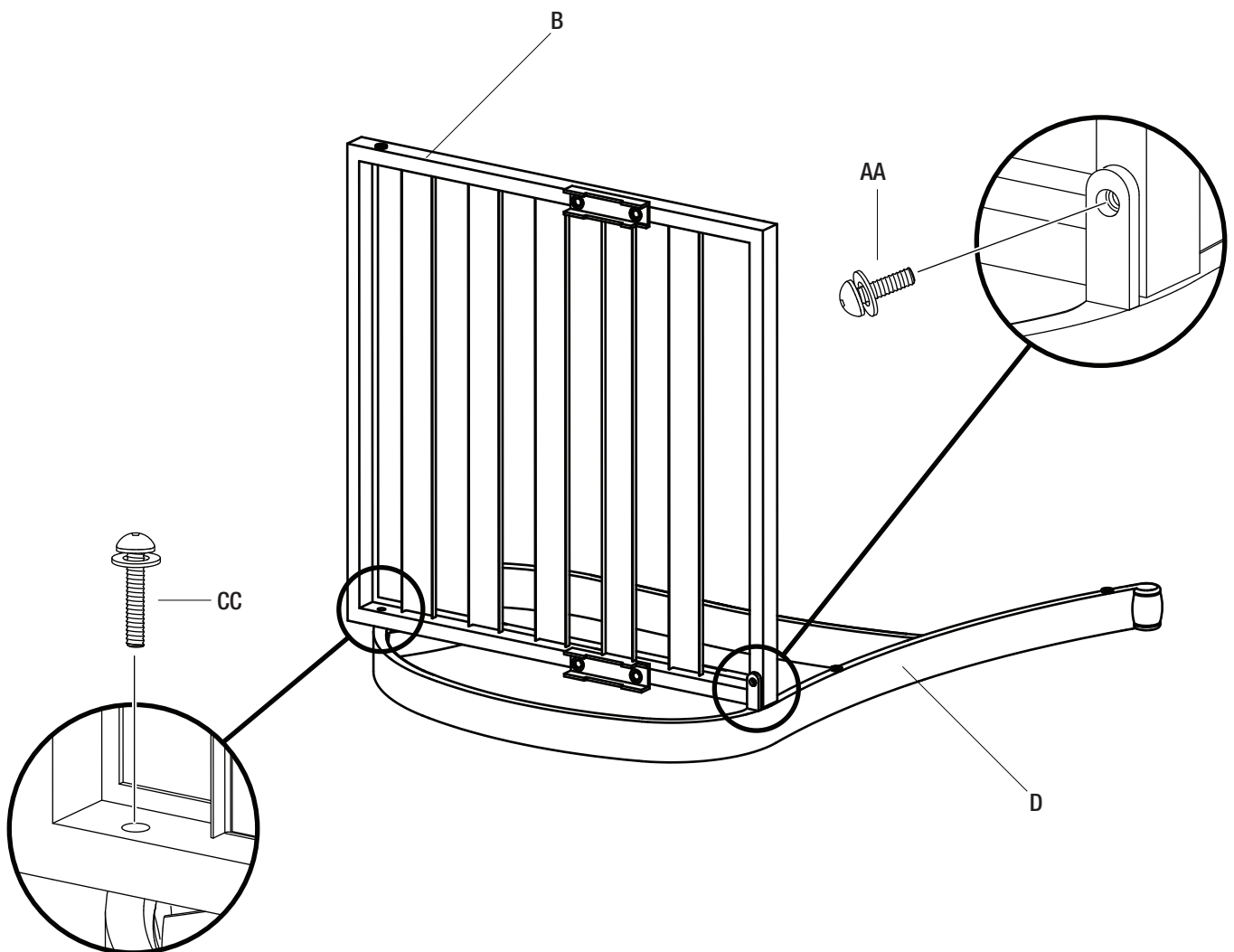
Chair Assembly

1 ATTACHING THE CHAIR SEAT TO THE RIGHT ARM

- Place the right arm (D) on a soft place.
- Attach the back of the chair seat (B) to the back of the right arm (D) using one M6x15 combination bolt (AA).
- Attach the front of the chair seat (B) to the front of the right arm (A) using one M6x30 combination bolt (CC).
- Do not fully tighten all the bolts at this step.



NOTE : Loosely tighten all the bolts using the wrench (EE).



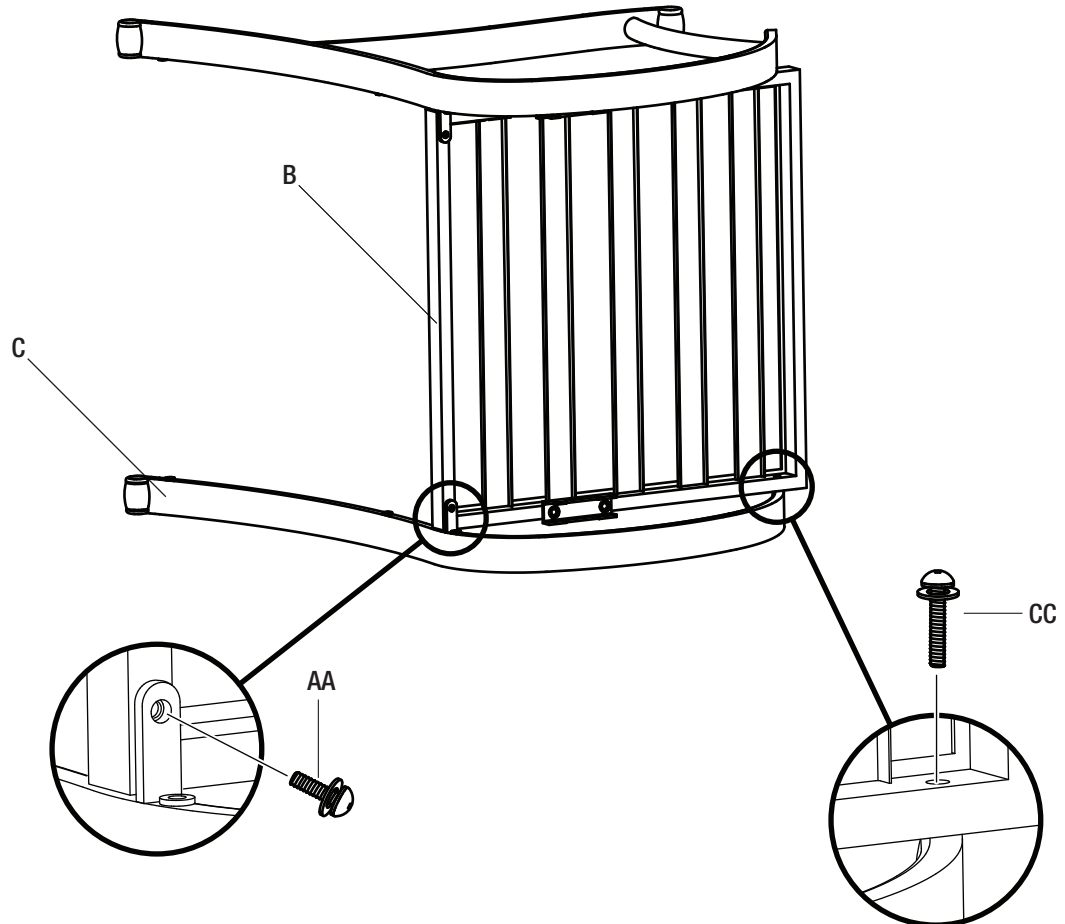
Chair Assembly (continued)

2 ATTACHING THE CHAIR SEAT TO THE LEFT ARM

- Repeat step 1 to attach the chair seat (B) to the left arm (C).
- Do not fully tighten all the bolts at this step.



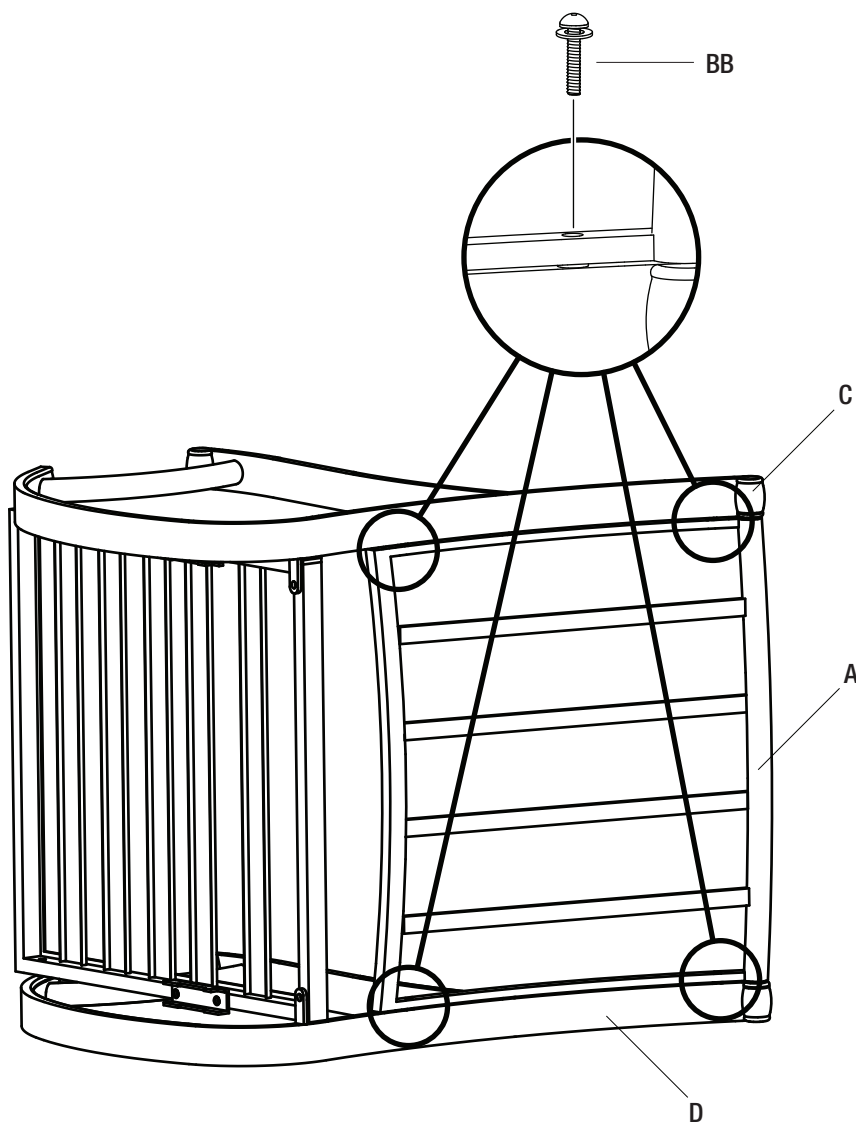
NOTE: Loosely tighten all the bolts using the wrench (EE).



Chair Assembly (continued)

3 ATTACHING THE CHAIR BACK TO THE ARMS

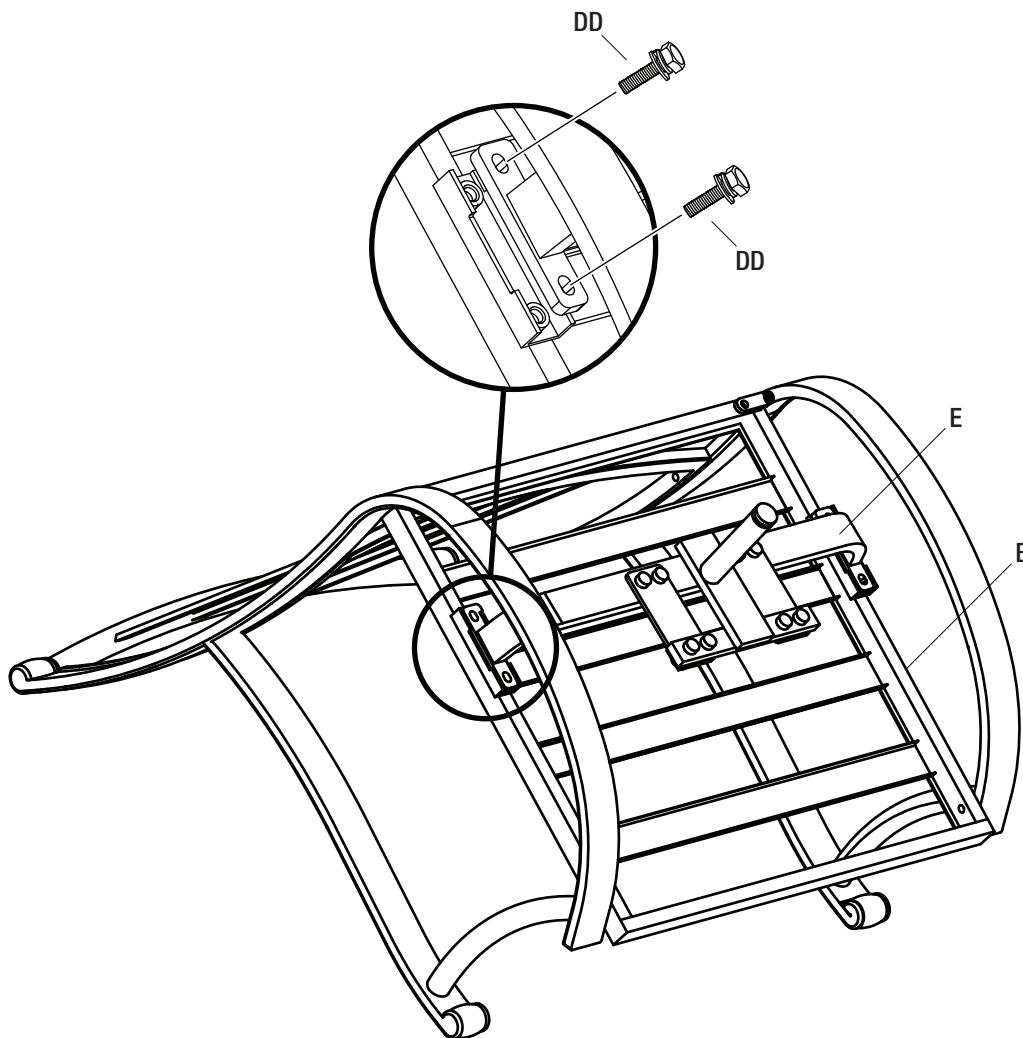
- Attach the chair back (A) to the left and the right arms (C & D) using M6x25 combination bolts (BB).
- Once all of the bolts are in place, fully tighten the bolts using the hex wrench (EE)



Chair Assembly (continued)

4 ATTACHING THE SUPPORT BAR TO THE CHAIR SEAT

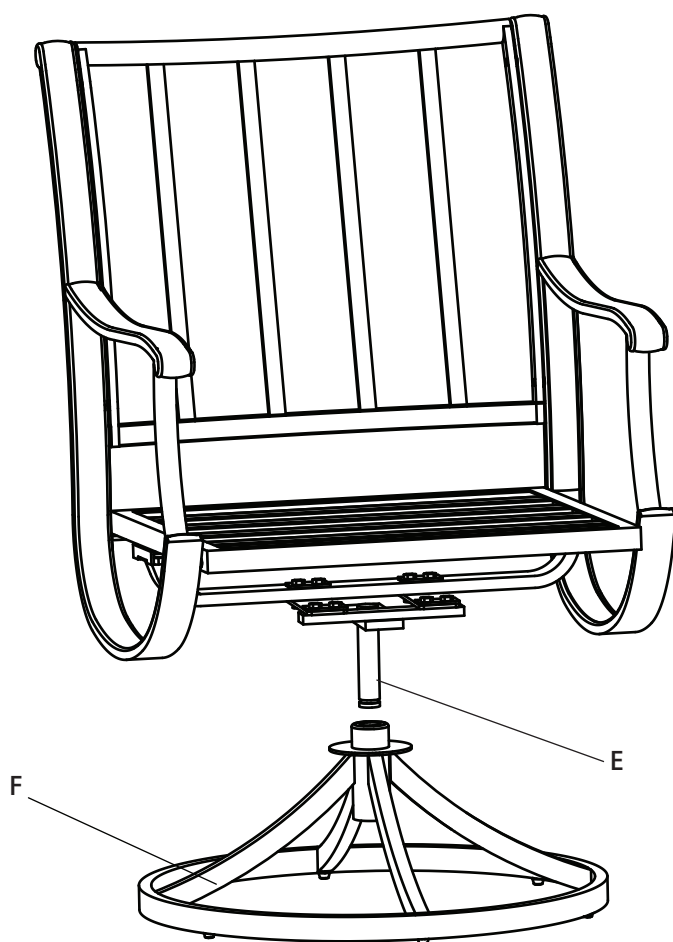
- Attach the support bar (E) to the chair seat (B) using M8x20 combination hex bolts (DD).
- Once all of the bolts are in place, fully tighten the bolts using the wrench (FF)



Chair Assembly (continued)

5 INSERT THE SUPPORT BAR TO THE CHAIR BASE

- Insert the support bar (E) to the base (F).



Chair Assembly (continued)

6 CHECKING THE CHAIR

- Place the seat cushion (H) and the back cushion (G) to finish the assembly of the chair.
- Ensure all connections are secure before use.

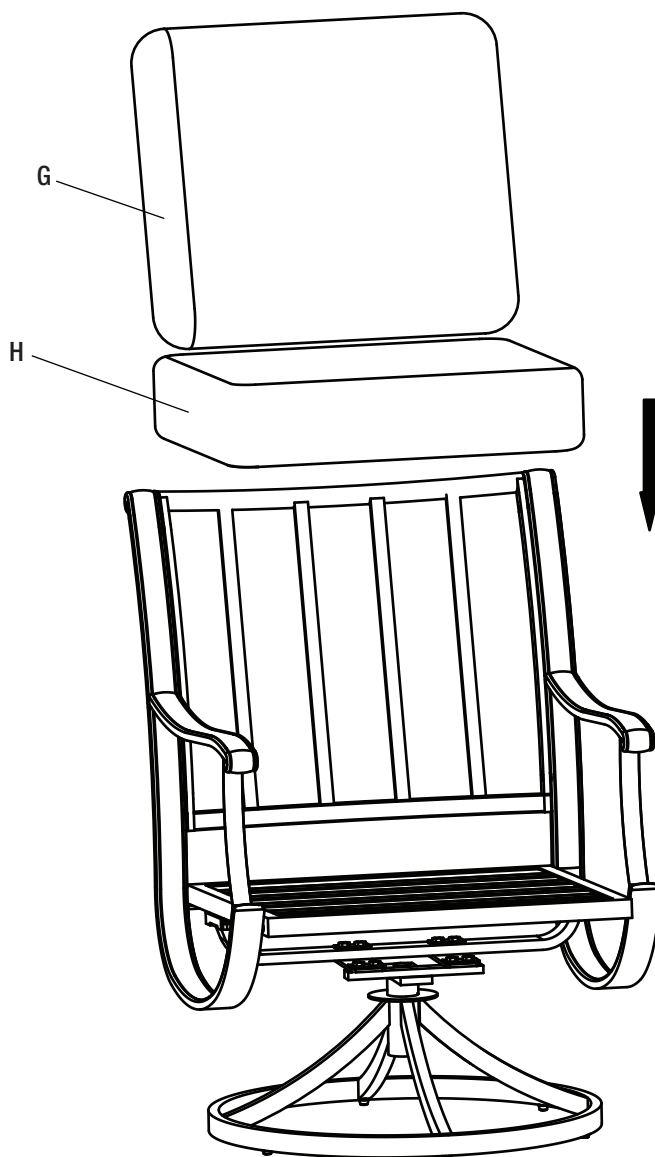


Table Assembly

1 CONNECTING THE TABLE LEGS

- Place the table top (I) upside down on a soft surface.
- Attach the table legs (K) to the table top (I) using M6x15 combination bolts (AA).
- Do not fully tighten all bolts at this step.



NOTE: Loosely tighten all the bolts using the hex wrench (EE).

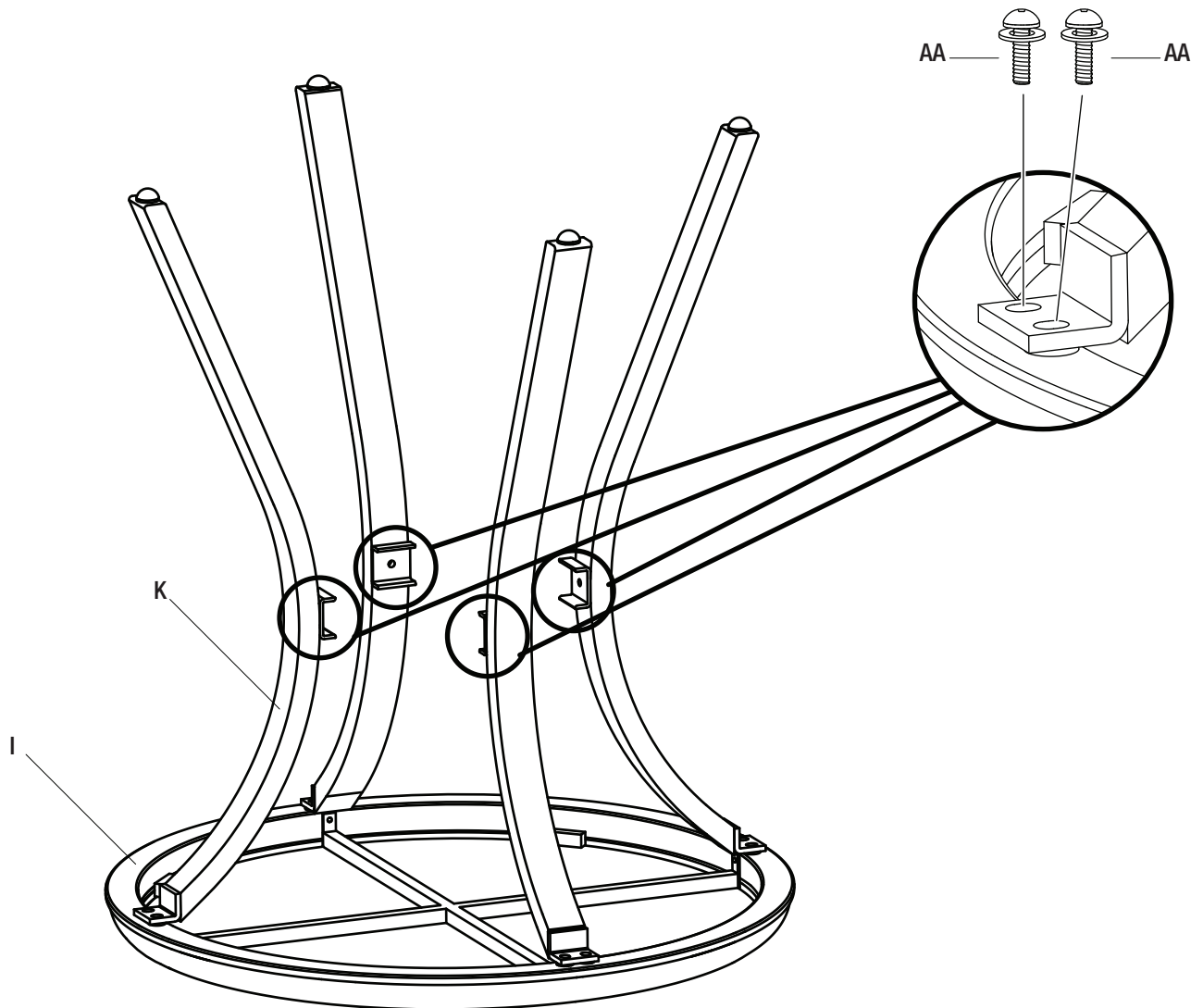


Table Assembly (continued)

2 ATTACHING THE LEG CONNECTOR TO THE TABLE LEGS

- Attach the leg connector (J) to the table legs (K) using M6x25 combination bolts (BB).
- Do not fully tighten all bolts at this step.



NOTE: Loosely tighten all the bolts using the hex wrench (EE).

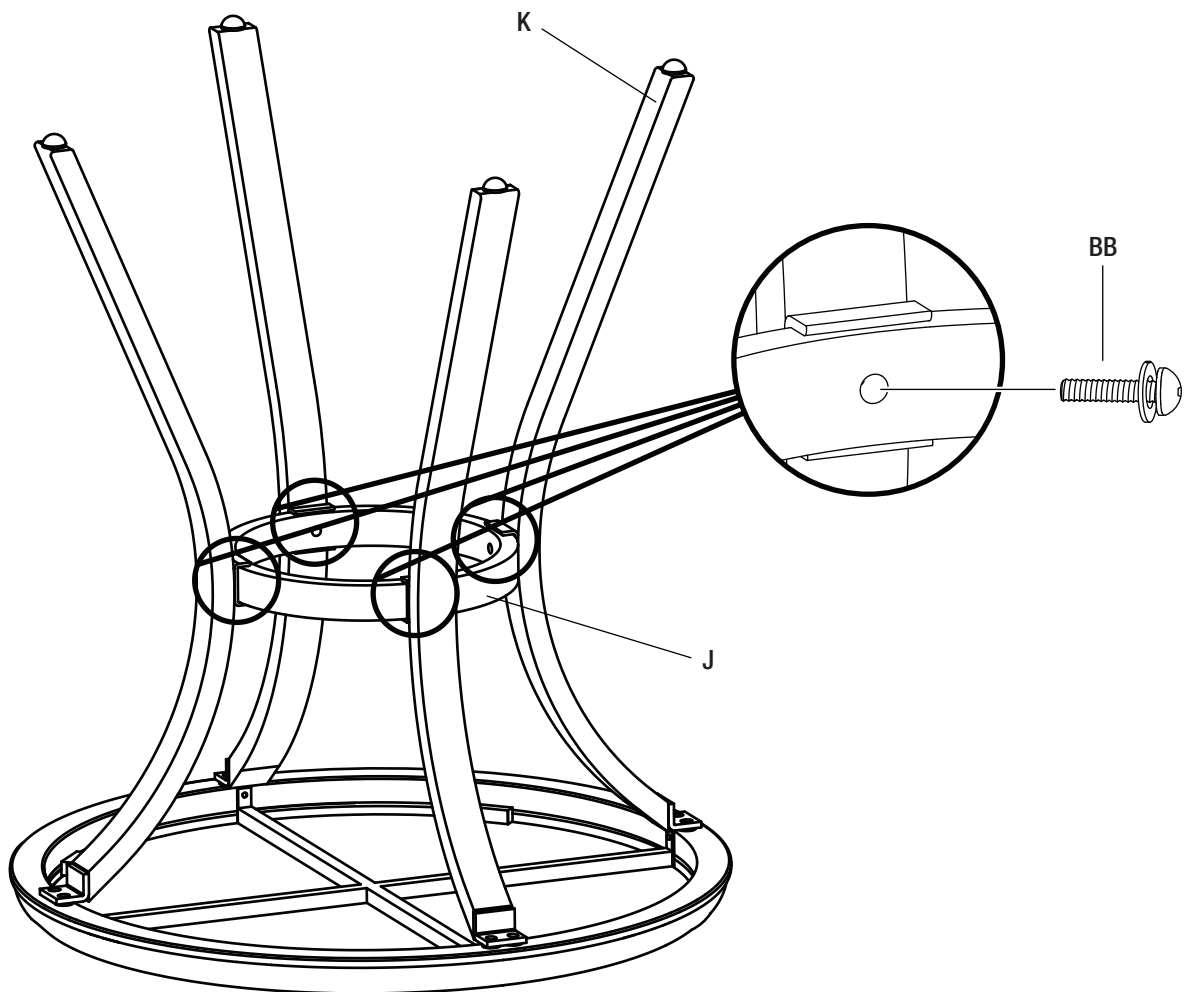
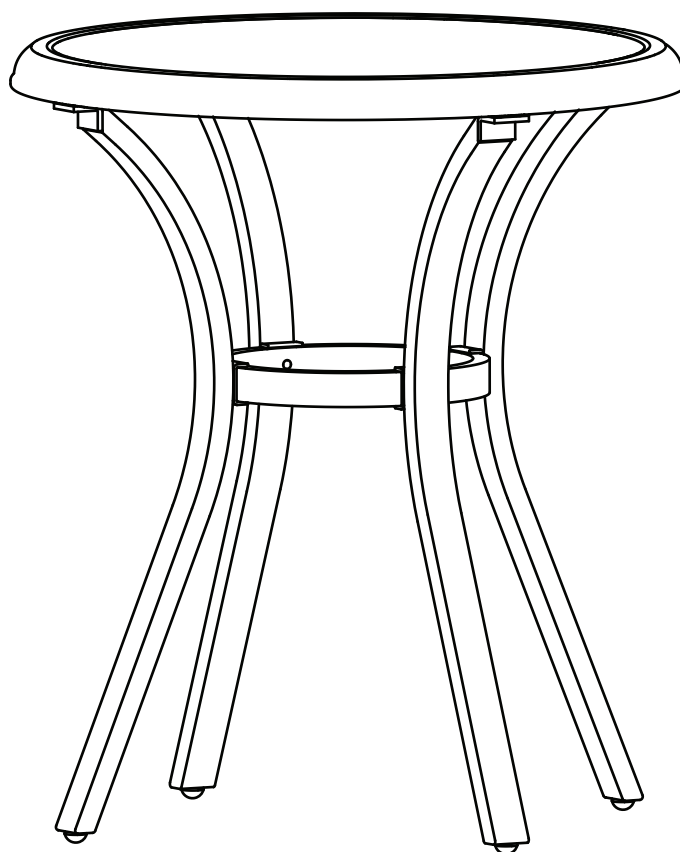


Table Assembly (continued)

3 CHECKING THE TABLE

- Once all of the bolts are in place, fully tighten the bolts using the hex wrench (EE).
- Turn the table right side up.
- Ensure all connections are secure.



Care and Cleaning

- For best results, clean the frame with a damp cloth and dry thoroughly. This will help prevent mildew by removing dirt particles that may accumulate.
- Do not clean with abrasive materials, bleach or solvents.
- Store the table and chairs in a dry sheltered place when not in use.
- Keep the set away from fire, extreme heat, freezing conditions, and inclement weather such as rain, hail, sleet, snow, or wind.

HAMPTON BAY®

Questions, problems, missing parts? Before returning to the store,
call Hampton Bay Customer Service.
8 a.m. - 7 p.m., EST, Monday - Friday, 9 a.m. - 6 p.m., EST, Saturday

1-855-HD-HAMPTON

HOMEDEPOT.CA

Retain this manual for future use.

For certification use only
Factory chair ID # FSS60428S Factory table ID # FTM61139