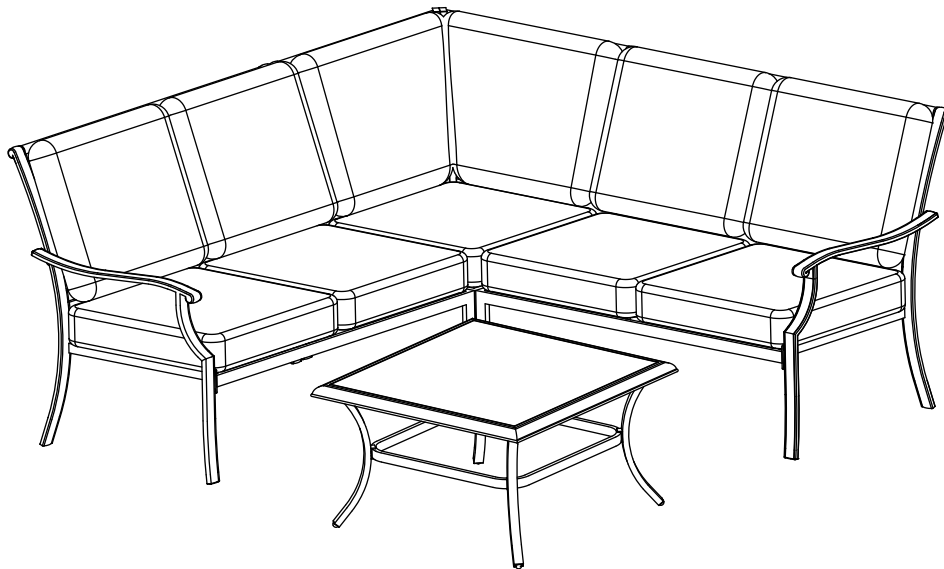


# HAMPTON BAY

## USE AND CARE GUIDE

---

### REDWOOD VALLEY SECTIONAL



Questions, problems, missing parts? Before returning to the store,  
call Hampton Bay Customer Service  
8 a.m. - 7 p.m., EST, Monday - Friday, 9 a.m. - 6 p.m., EST, Saturday

**1-855-HD-HAMPTON**

**HOMEDEPOT.CA**

---

#### **THANK YOU**

*We appreciate the trust and confidence you have placed in Hampton Bay through the purchase of this set. We strive to continually create quality products designed to enhance your home. Visit us online to see our full line of products available for your home improvement needs. Thank you for choosing Hampton Bay!*

# Table of Contents

Table of Contents.....	2	Left Arm Chair Package Contents.....	4
Important Safety Information.....	2	Right Arm Chair Package Contents.....	5
Save These Instructions.....	2	Corner Chair Package Contents.....	6
Read All Instructions Before Use.....	2	Table Package Contents .....	7
Warranty .....	3	Left Arm Chair Assembly.....	8
What is Covered.....	3	Right Arm Chair Assembly.....	12
What is Not Covered.....	3	Corner Chair Assembly.....	16
Pre-Assembly.....	3	Table Assembly.....	21
Planning Assembly.....	3	Set Assembly.....	24
Hardware Included.....	3	Care and Cleaning.....	25

## Important Safety Instructions

### SAVE THESE INSTRUCTIONS



**WARNING:** This set was made for the explicit purpose of providing outdoor functions and is not to be used as a toy. This product is intended for normal outdoor use; however, the manufacturer recommends storing and / or covering this set when any formidable / severe weather is approaching.



**WARNING:** Do not locate this product near open flames. Do not use this product as a support. Do not shake, lean or climb on the product. Children under the age of 10, near the product, should be supervised by a competent adult at all times. This product is NOT intended for commercial use and will void the warranty.

### READ ALL INSTRUCTIONS BEFORE USE

To reduce the risk of injury to persons:

1. Close supervision is necessary when this product is used by or near children, or disabled persons, if applicable.
2. Use this furnishing only for its intended use as described in these instructions. Do not use attachments not recommended by the manufacturer.
3. Do not move the chairs while the chairs are occupied. Failure to obey this caution could result in injury.
4. Do not rock in the chair as you may fall and cause serious injury.
5. Please keep children out of the assembly area before assembly.



**WARNING:** Weight limit for the chairs is 250 lbs. (113.39 kg) for each seat.



**WARNING:** This sectional set unit is heavy, and may require two adults for safe assembly.



**WARNING:** Do not place heavy objects on the table top.



**WARNING:** Do not place heavy objects on the chair.



**CAUTION:** Do not locate the product near any heat source.



**CAUTION:** When not in use, secure the product in a cool and covered location.

# Warranty

## 2 YEAR FRAME LIMITED WARRANTY

### WHAT IS COVERED

We warrant the frames to be free of manufacturing defects to the original purchaser for two years.

### WHAT IS NOT COVERED

It remains the customer's responsibility for freight and packaging charges to and from our service center. This warranty does not cover commercial use, hardware, acts of nature, fire, freezing and abusive use. In addition, purchased parts are not covered under this warranty. We reserve the right to make substitutions with similar merchandise, if the model in question is no longer in production.

Contact the Customer Service Team at 1-855-HD-HAMPTON or visit [www.HomeDepot.ca](http://www.HomeDepot.ca).

# Pre-Assembly

## PLANNING ASSEMBLY

Read all instructions before assembly.

To avoid damaging this product, assemble it on a soft, non-abrasive surface such as carpet or cardboard.

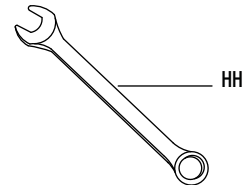
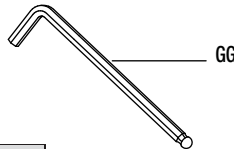
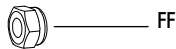
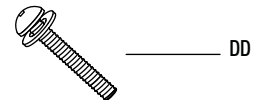
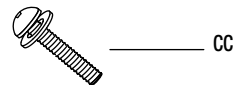
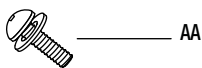


**NOTE:** More than one person may be required to assemble this product.

## HARDWARE INCLUDED



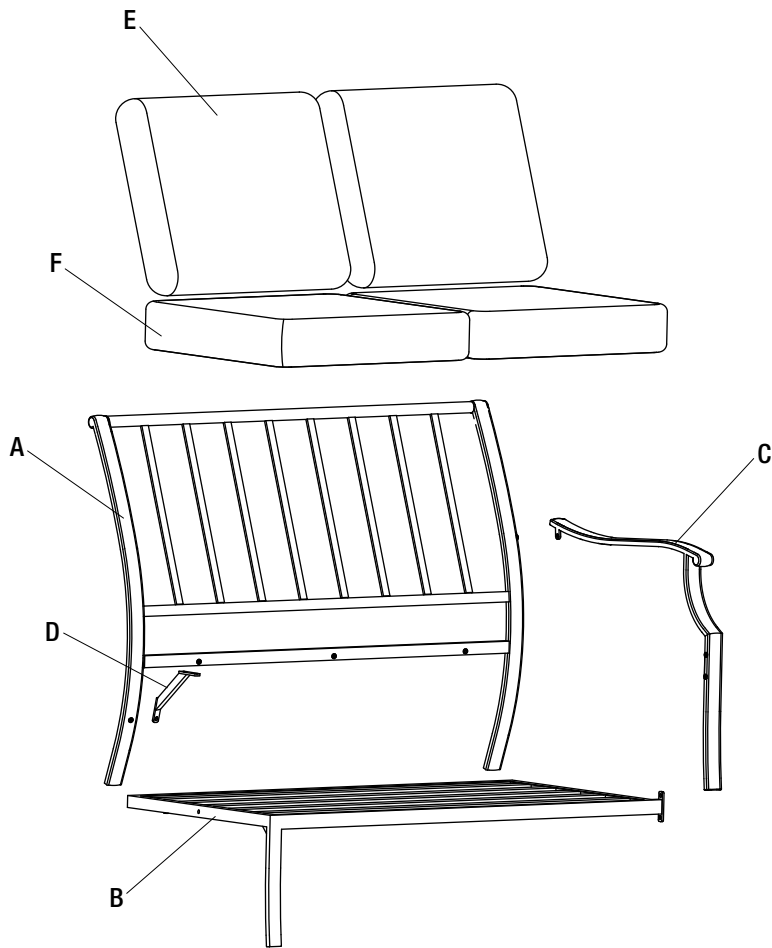
**NOTE:** Hardware not shown to actual size.



Part	Description	Quantity
AA	M6x15 combination bolt	22+2
BB	M6x25 combination bolt	4+1
CC	M6x30 combination bolt	12+1
DD	M6x45 combination bolt	2+1
EE	M6 washer	2+1
FF	M6 nut	2+1
GG	Hex wrench	2
HH	M6 Wrench	1

# Pre-Assembly (continued)

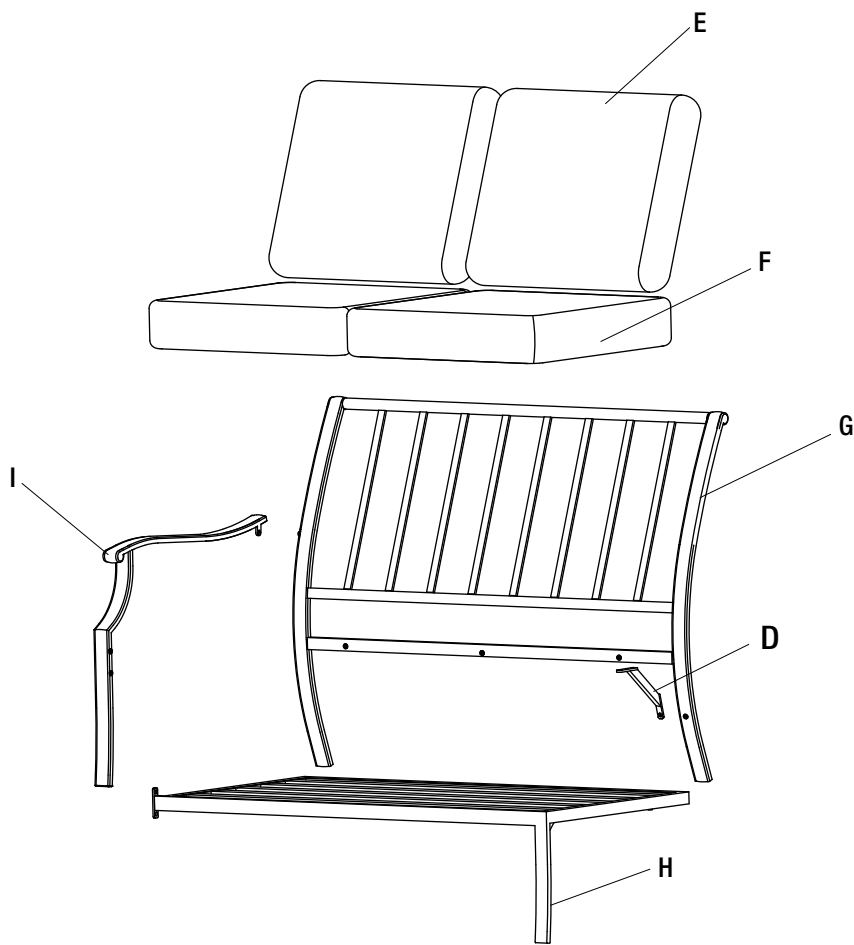
## LEFT ARM CHAIR PACKAGE CONTENTS



Part	Description	Quantity
A	Left arm backrest	1
B	Left arm seat	1
C	Left arm	1
D	Corner brace	1
E	Back cushion	2
F	Seat cushion	2

# Pre-Assembly (continued)

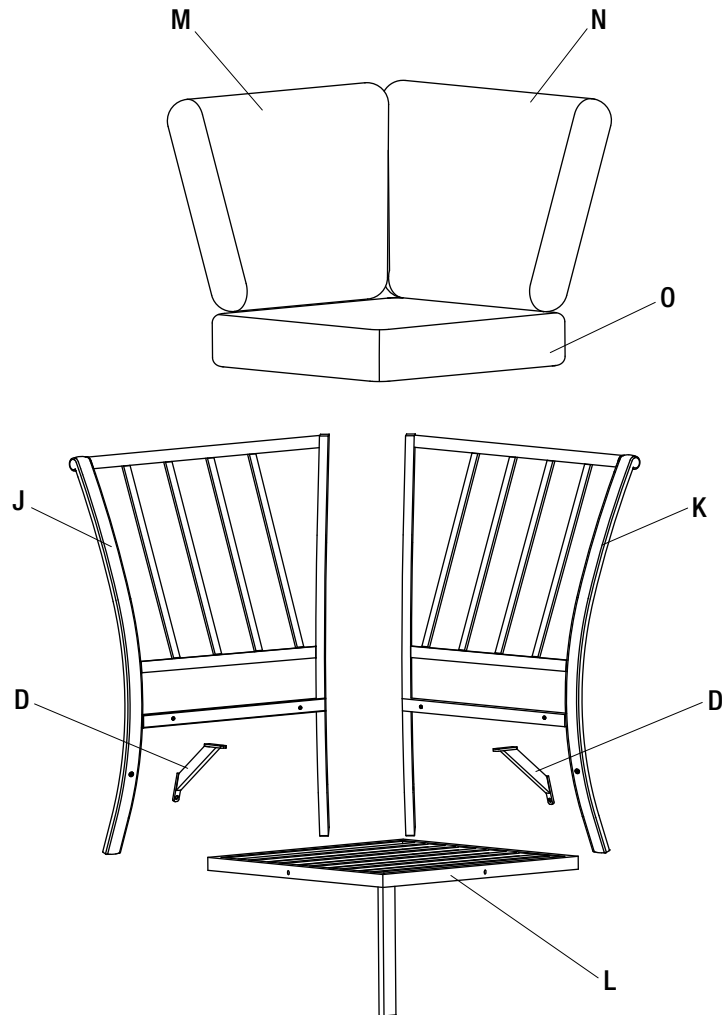
## RIGHT ARM CHAIR PACKAGE CONTENTS



Part	Description	Quantity
D	Corner brace	1
E	Back cushion	2
F	Seat cushion	2
G	Right arm backrest	1
H	Right arm seat	1
I	Right arm	1

# Pre-Assembly (continued)

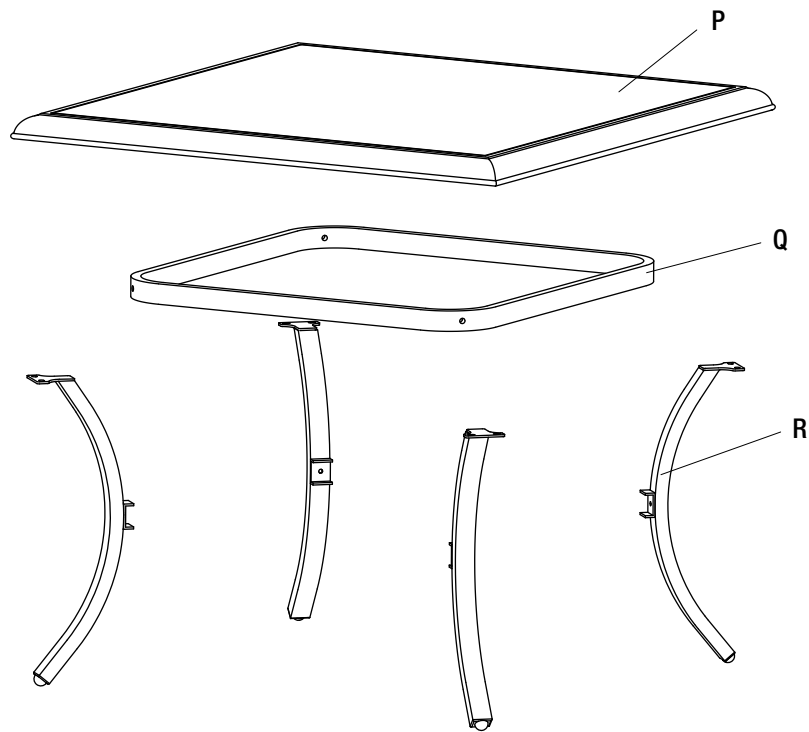
## CORNER CHAIR PACKAGE CONTENTS



Part	Description	Quantity
D	Corner brace	2
J	Corner chair right backrest	1
K	Corner chair left backrest	1
L	Corner chair seat	1
M	Right back cushion	1
N	Left back cushion	1
O	Corner chair seat cushion	1

# Pre-Assembly (continued)

## TABLE PACKAGE CONTENTS



Part	Description	Quantity
P	Table top	1
Q	Leg connector	1
R	Table Leg	4

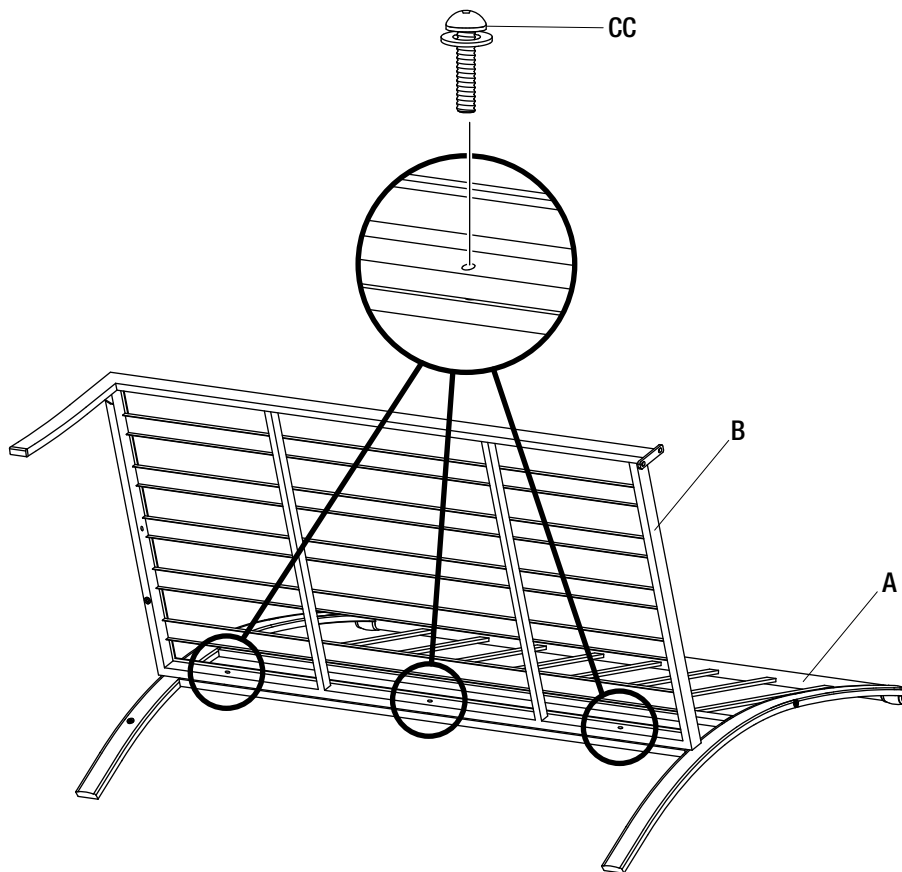
# Left Arm Chair Assembly

## 1 Attaching the left arm seat to the left arm backrest

- Place the left arm backrest (A) on a soft surface.
- Attach the left arm seat (B) to the left arm backrest (A) using M6x30 combination bolts (CC).
- Do not fully tighten all the bolts at this step.



**NOTE:** Loosely tighten all the bolts using the hex wrench (GG).





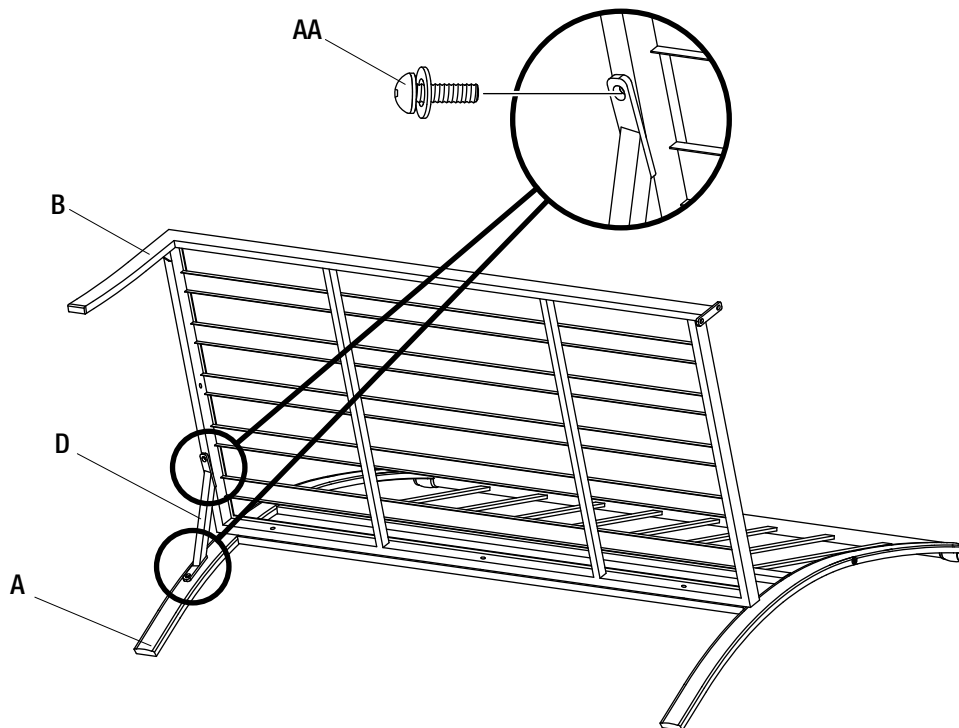
## Left Arm Chair Assembly (continued)

### 2 Attaching the corner brace to the left arm seat and the left arm backrest

- Attach the corner brace (D) to the left arm seat (B) and the left arm backrest (A) using M6x15 combination bolts (AA).
- Do not fully tighten all the bolts at this step.



**NOTE:** Loosely tighten all the bolts using the hex wrench (GG).



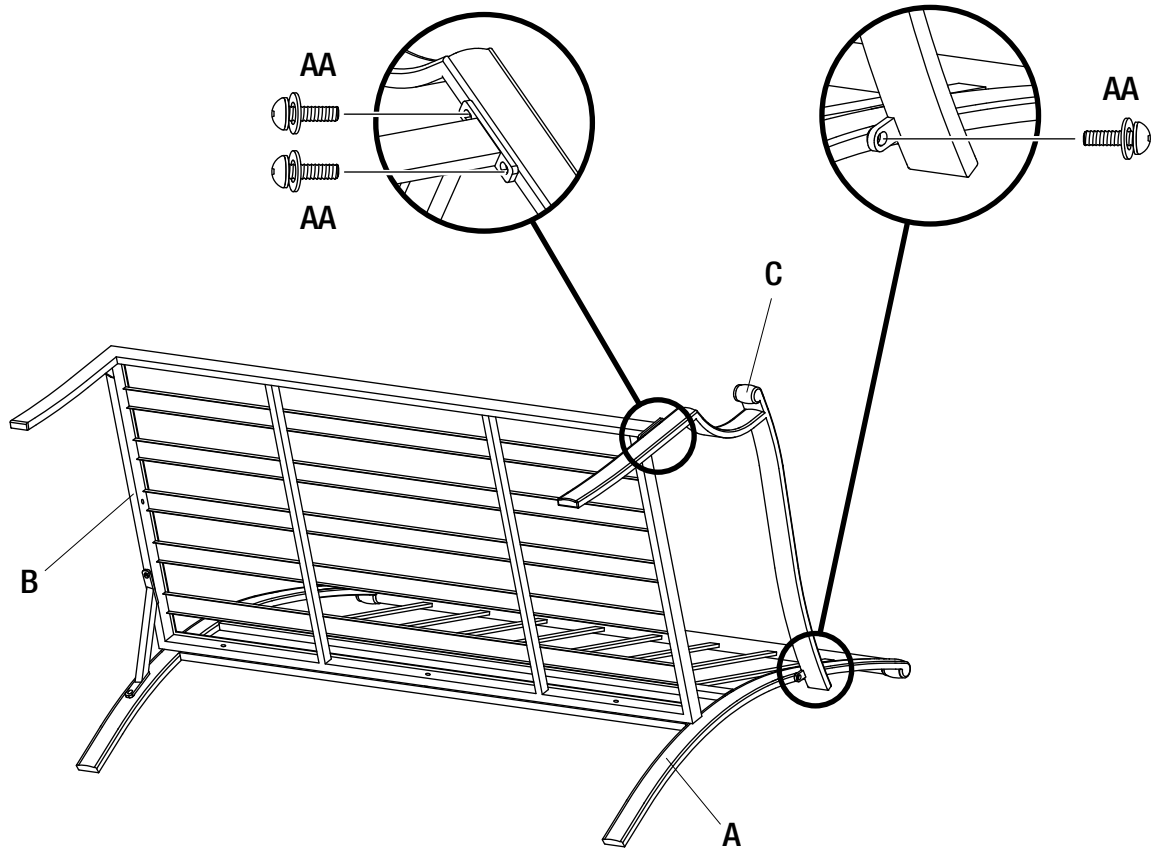
## Left Arm Chair Assembly (continued)

### 3 Attaching the left arm to the left arm seat and left arm backrest

- Attach the left arm (C) to the left arm seat (B) and the left arm backrest (A) using M6x15 combination bolts (AA).
- **Do not fully tighten all the bolts at this step.**



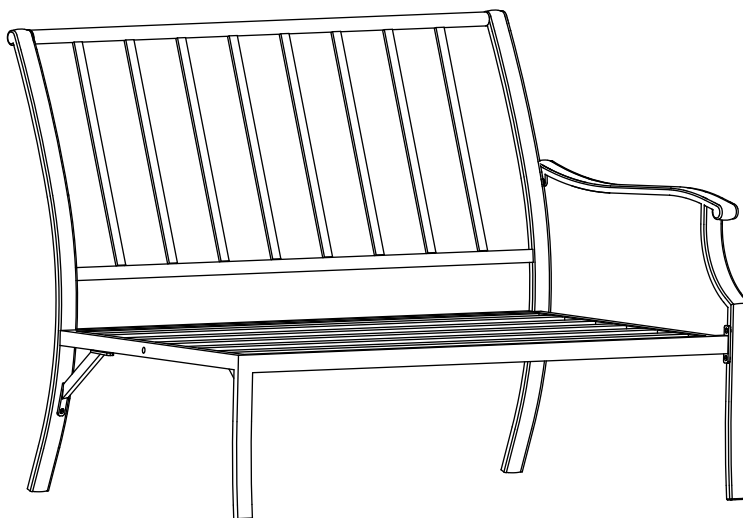
**NOTE:** Loosely tighten all the bolts using the hex wrench (GG).



## Left Arm Chair Assembly (continued)

### 4 Checking the chair

- Turn the left arm chair right side up.
- Fully tighten the bolts using the hex wrench (GG).
- Ensure all connections are secure before use.



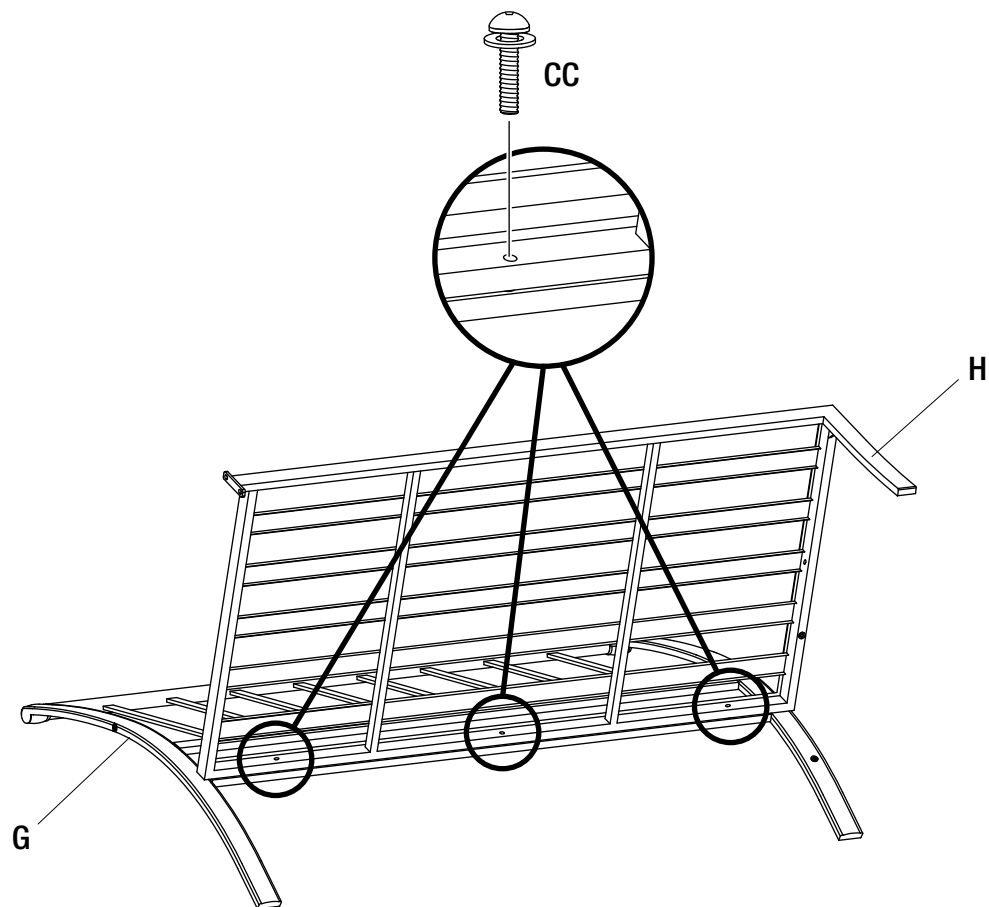
# Right Arm Chair Assembly

## 1 Attaching the right arm seat to the right arm backrest

- Place the left arm backrest (G) on a soft surface.
- Attach the right arm seat (H) to the right arm backrest (G) using M6x30 combination bolts (CC).
- Do not fully tighten all the bolts at this step.



**NOTE:** Loosely tighten all the bolts using the hex wrench (GG).



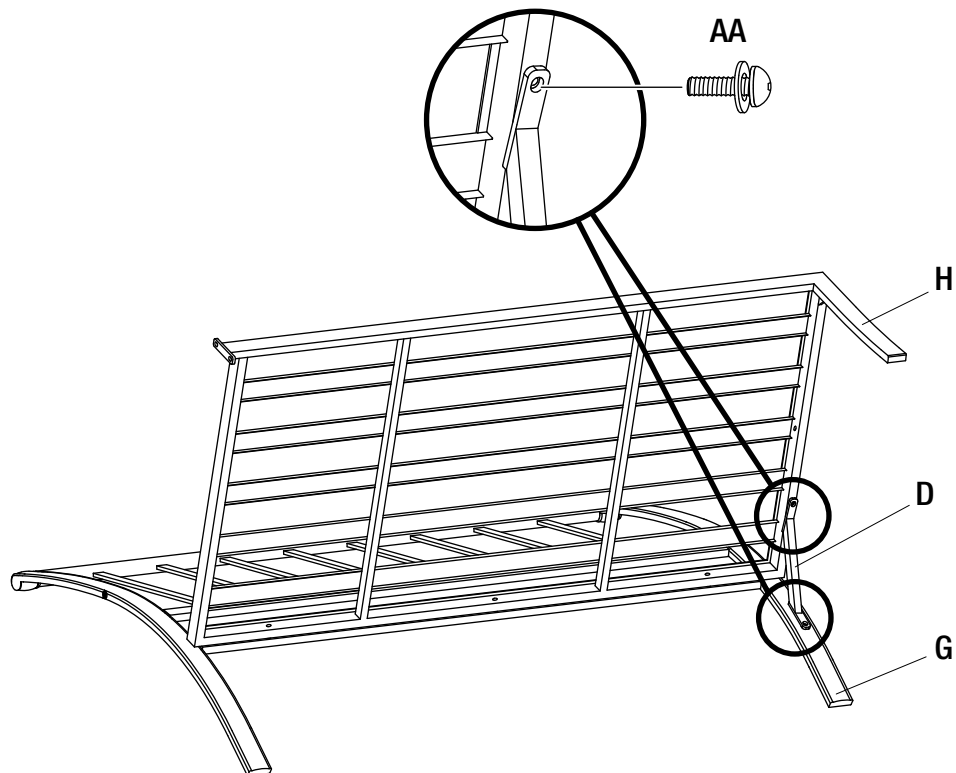
## Right Arm Chair Assembly (continued)

### 2 Attaching the corner brace to the right arm seat and the right arm backrest

- Attach the corner brace (D) to the right arm seat (H) and the right arm backrest (G) using M6x15 combination bolts (AA).
- Do not fully tighten all the bolts at this step.



**NOTE:** Loosely tighten all the bolts using the hex wrench (GG).



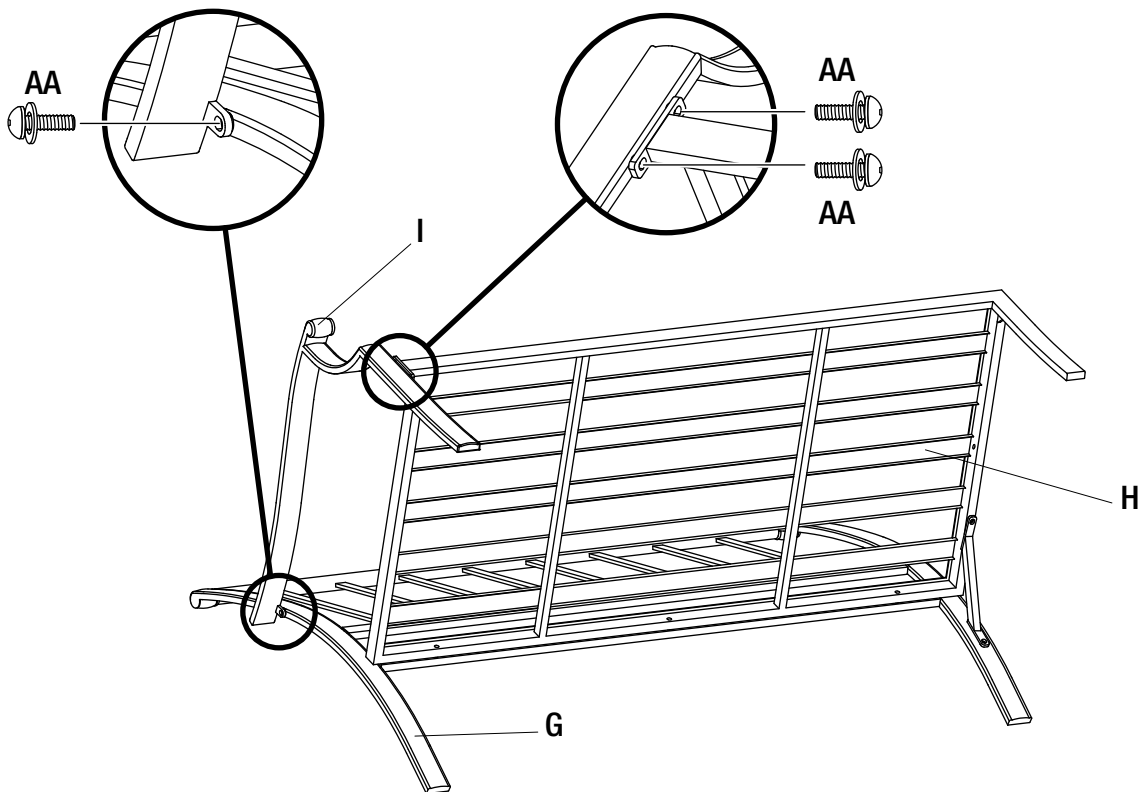
## Right Arm Chair Assembly (continued)

### 3 Attaching the right arm to the right arm seat and the right arm backrest

- Attach the right arm (I) to the right arm seat (H) and the right arm backrest (G) using M6x15 combination bolts (AA).
- Do not fully tighten all the bolts at this step.



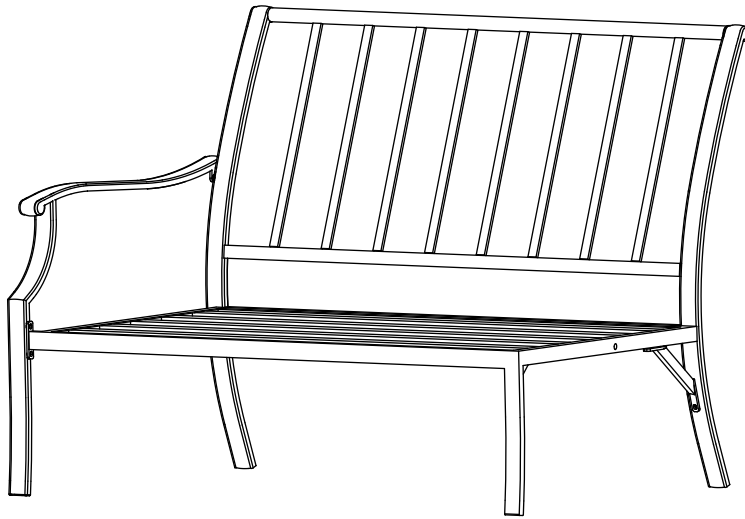
**NOTE:** Loosely tighten all the bolts using the hex wrench (GG).



## Right Arm Chair Assembly (continued)

### 4 Checking the chair

- Turn the right arm chair right side up.
- Fully tighten the bolts using the hex wrench (GG).
- Ensure all connections are secure before use.



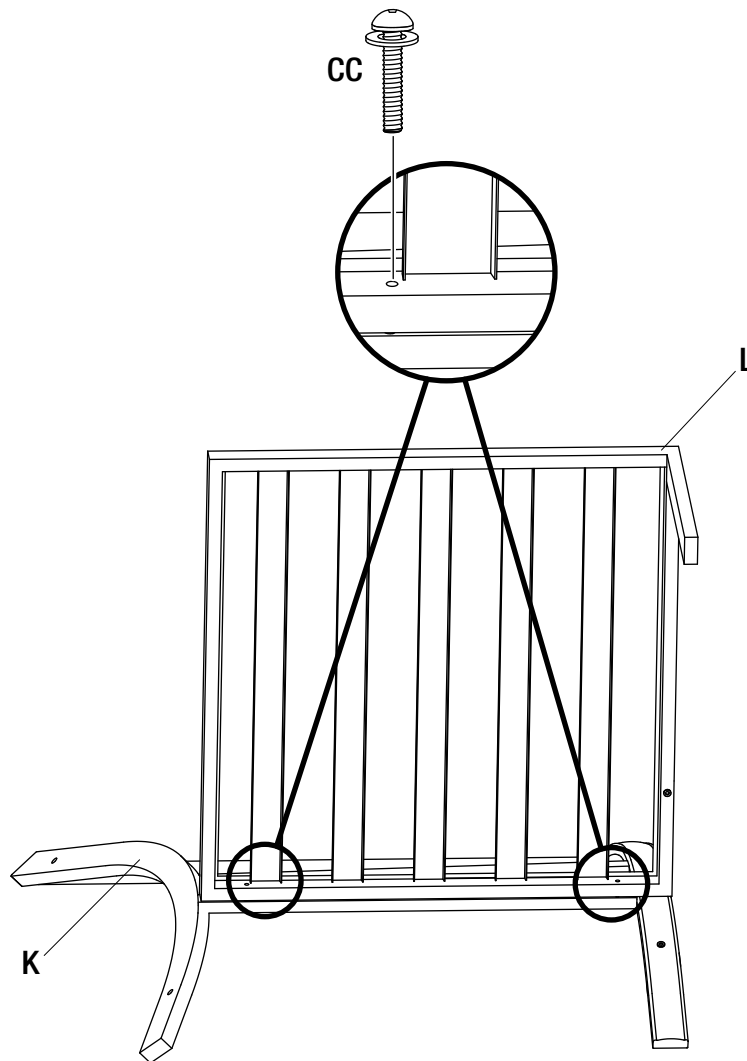
# Corner Chair Assembly

## 1 Attaching the corner chair seat to the corner chair left backrest

- Place the corner chair left backrest (K) on a soft surface.
- Attach the corner chair seat (L) to the corner chair left backrest (K) using M6x30 combination bolts (CC).
- Do not fully tighten all the bolts at this step.



**NOTE:** Loosely tighten all the bolts using the hex wrench (GG).





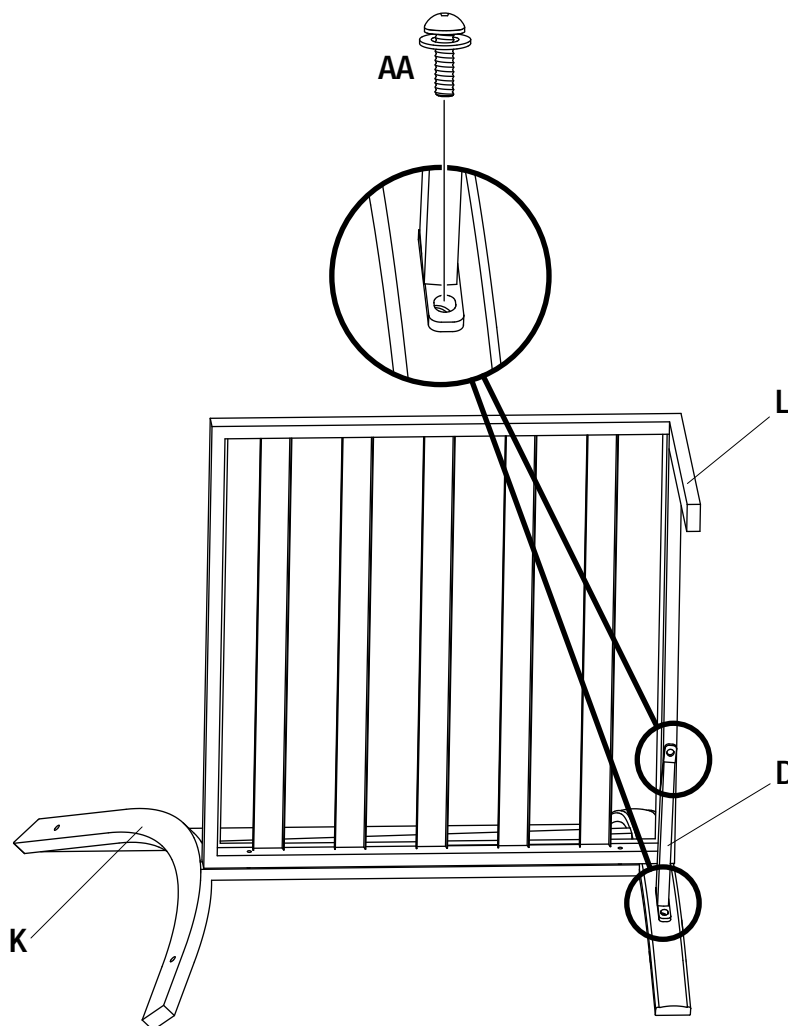
## Corner Chair Assembly (continued)

### 2 Attaching the corner brace to the corner chair seat and the corner chair left backrest

- Attach the corner brace (D) to the corner chair seat (L) and the corner chair left backrest (K) using M6x15 combination bolts (AA).
- Do not fully tighten all the bolts at this step.



**NOTE:** Loosely tighten all the bolts using the hex wrench (GG).



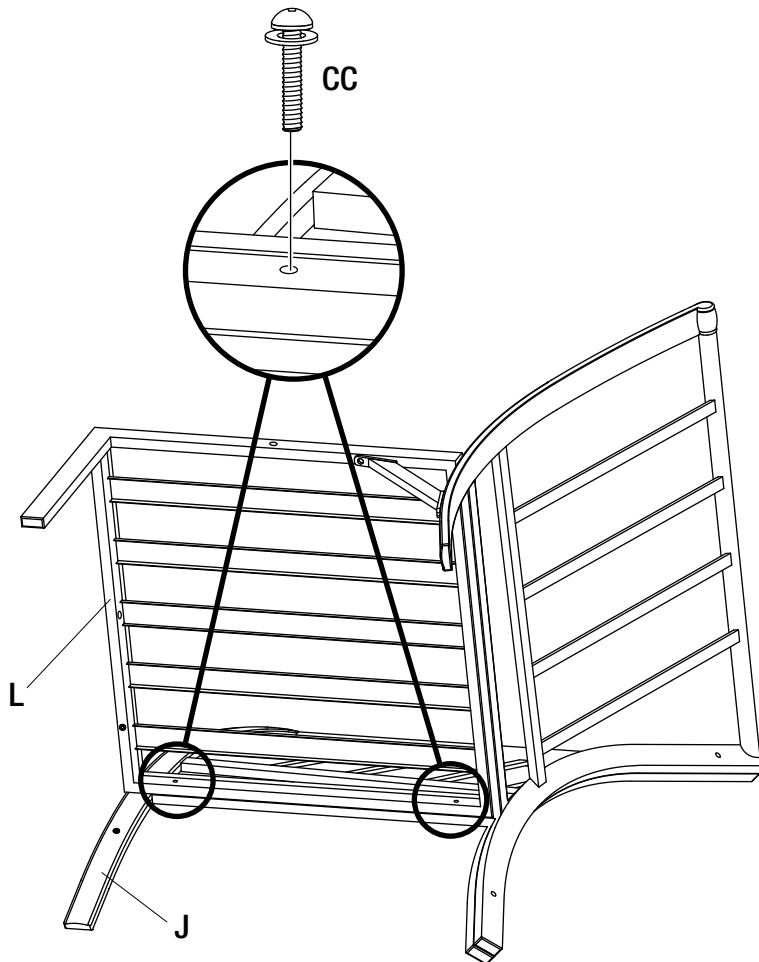
## Corner Chair Assembly (continued)

### 3 Attaching the corner chair right backrest to the corner chair seat

- Attach the corner chair right backrest (J) to the corner chair seat (L) using M6x30 combination bolts (CC).
- Do not fully tighten all the bolts at this step.



**NOTE:** Loosely tighten all the bolts using the hex wrench (GG).



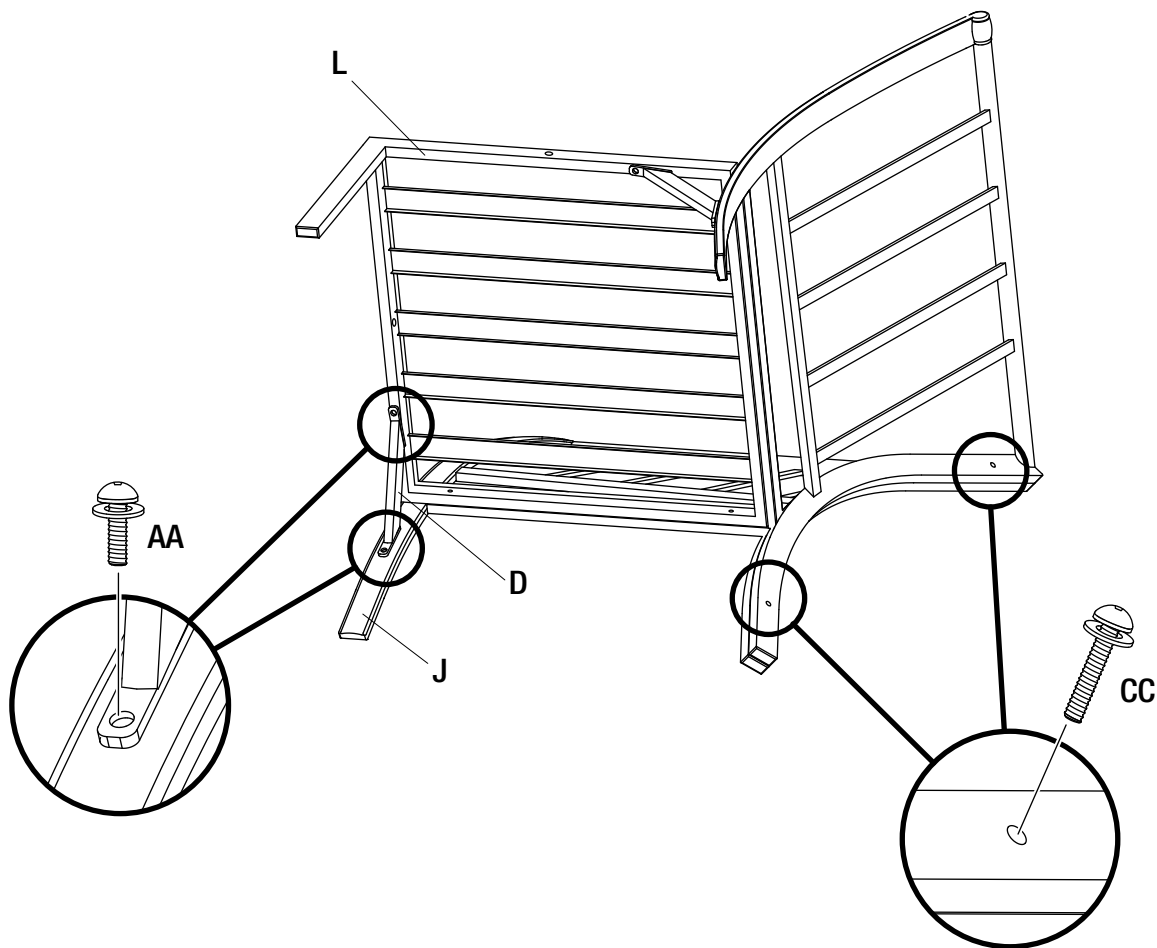
## Corner Chair Assembly (continued)

### 4 Attaching the corner chair right backrest to the corner chair left backrest

- Attach the corner chair right backrest (J) to the corner chair left backrest (K) using M6x30 combination bolts (CC).
- Attach the corner brace (D) to the corner chair seat (L) and the corner chair right backrest (J) using the M6x15 combination bolts (AA).
- **Do not fully tighten all the bolts at this step.**



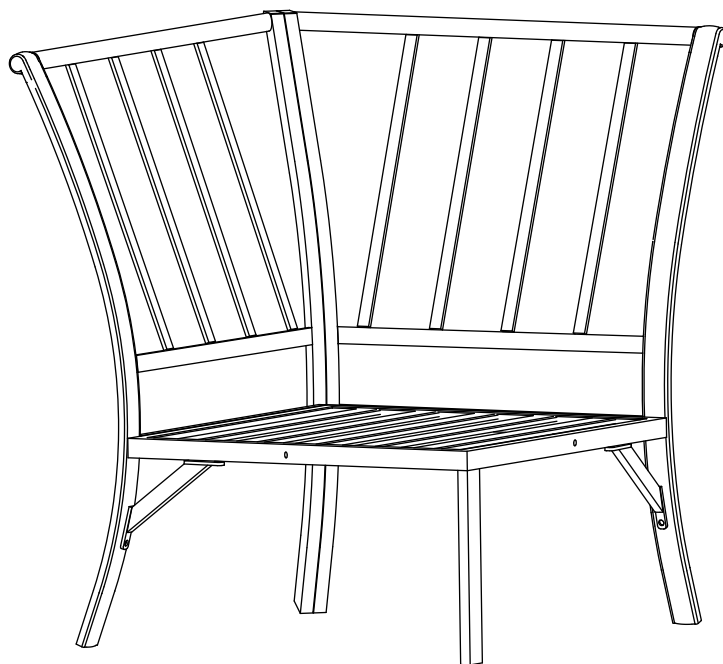
**NOTE:** Loosely tighten all the bolts using the hex wrench (GG).



## Corner Chair Assembly (continued)

### 5 Checking the chair

- Ensure all connections are secure before use.



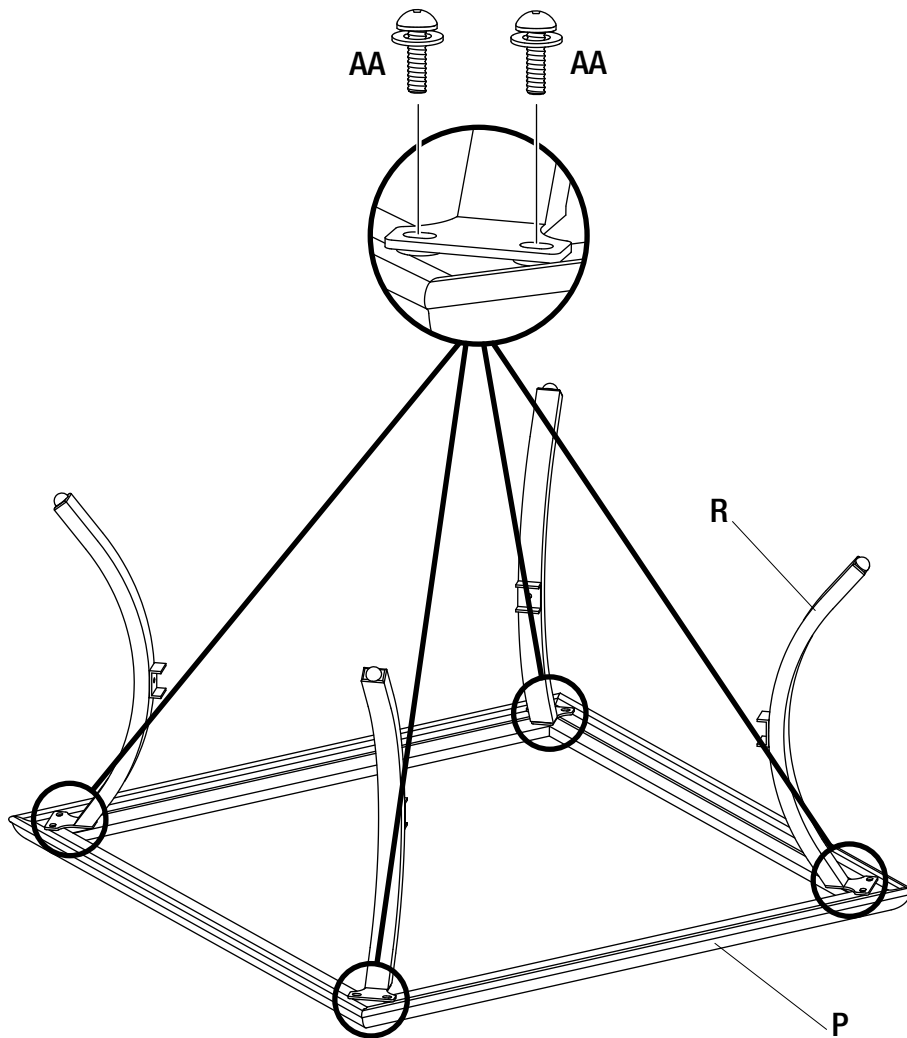
# Table Assembly

## 1 Connecting the table legs

- Place the table top (P) upside down on a soft surface.
- Attach the table legs (R) to the table top (P) using M6x15 combination bolts (AA).
- **Do not fully tighten all the bolts at this step.**



**NOTE:** Loosely tighten all the bolts using the hex wrench (GG).



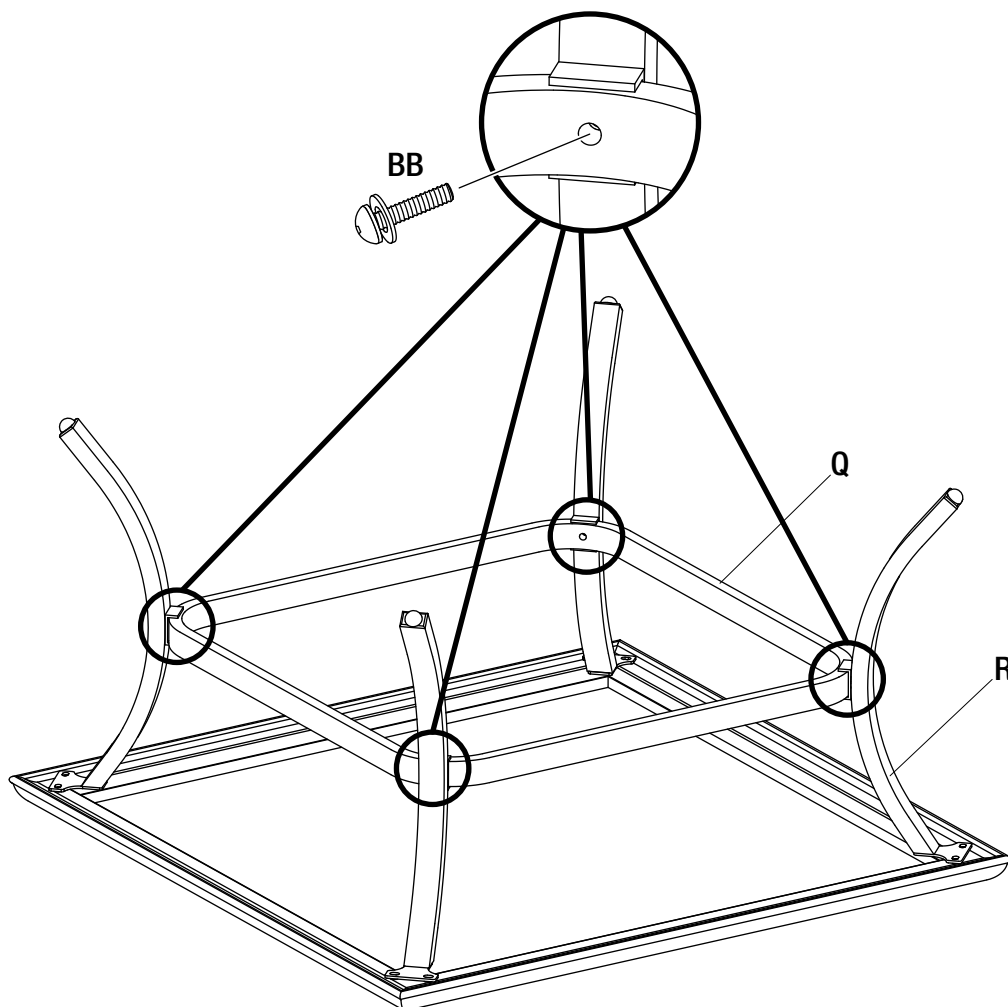
## Table Assembly (continued)

### 2 Attaching the leg connector to the legs

- Attach the leg connector (Q) to the legs (R) using M6x25 combination bolts (BB).
- Do not fully tighten all the bolts at this step.



**NOTE:** Loosely tighten all the bolts using the hex wrench (GG).



## Table Assembly (continued)

### 3 Checking the table

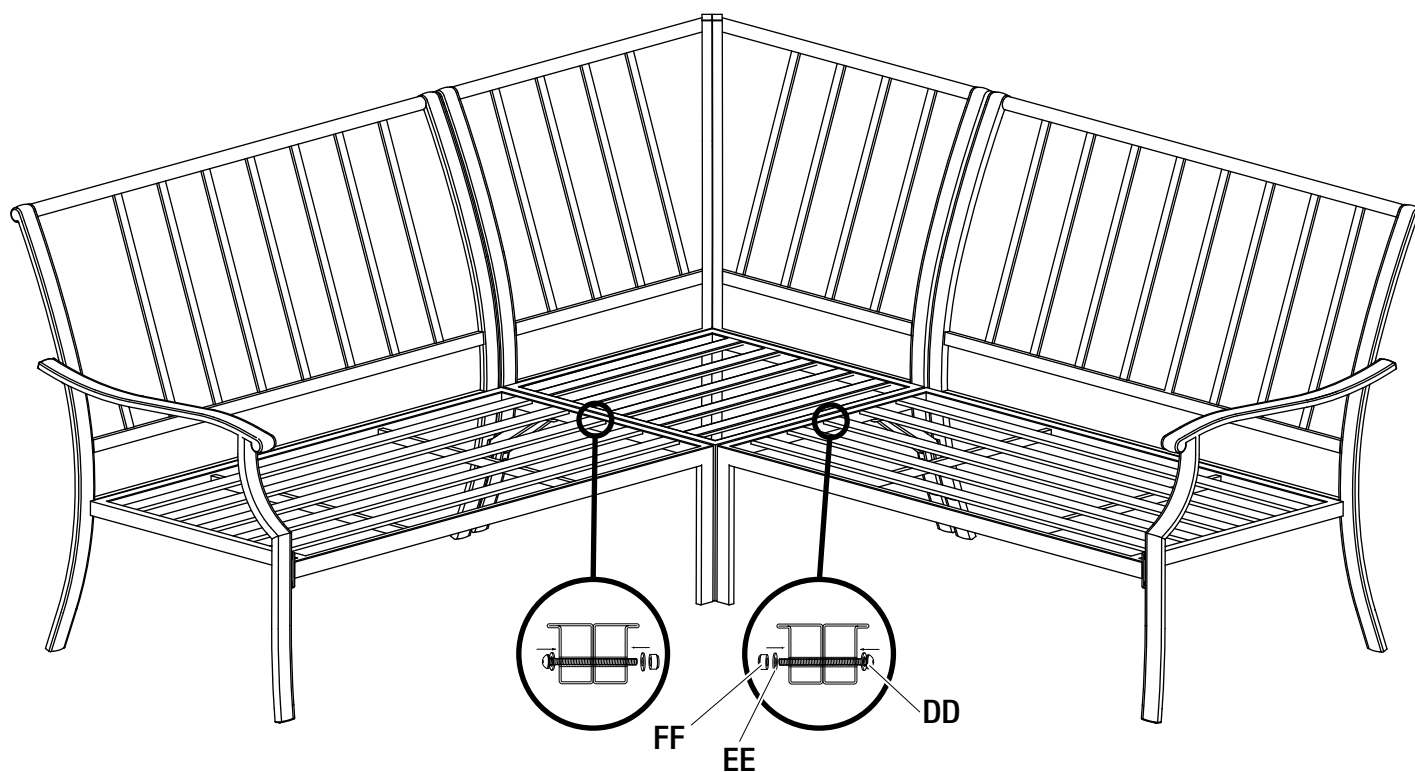
- Once all of the bolts are in place, fully tighten the bolts using the hex wrench (GG).
- Turn the table right side up.
- Ensure that all connections are secure.



# Set Assembly

## 1 Connecting the left arm chair and the right arm chair to the corner chair

- Connect the chairs using M6x45 combination bolts (DD), M6 washers (EE) and M6 nut (FF).
- Fully Tighten all bolts using the hex wrench (GG) and the M6 wrench (HH) at this step.

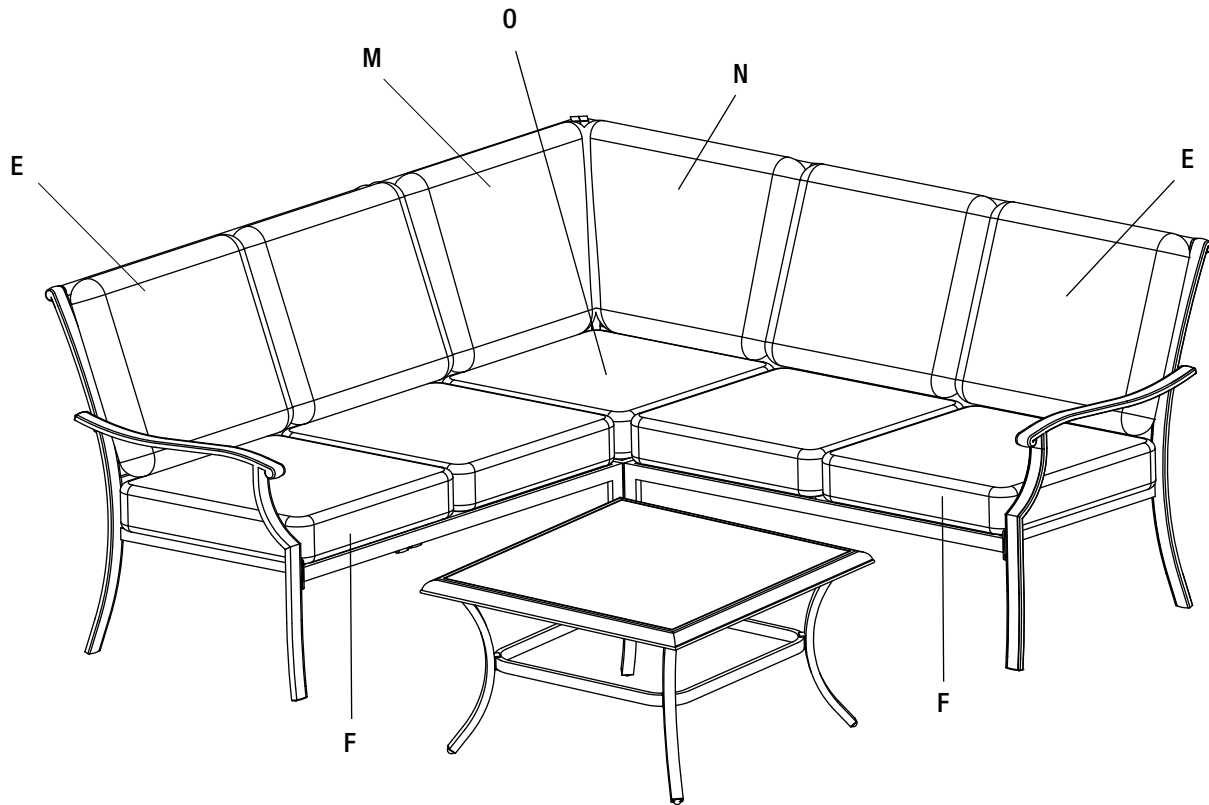




## Set Assembly (continued)

### 2 Checking the set

- Ensure all connections are secure before use.
- Place the seat cushions (F) and the back cushions (E), the corner chair seat cushion (O), the right back cushion (M) and the left back cushion (N) to finish the assembly of the sectional set.



## Care and Cleaning

- For best results, clean the frame and cushions with a damp cloth and dry thoroughly. This will help prevent mildew by removing dirt particles that may accumulate.
- Do not clean with abrasive materials, bleach, or solvents.
- Store the table and chairs in a dry sheltered place when not in use.
- Keep the table and chairs away from extreme heat, freezing conditions, and inclement weather such as rain, hail, sleet, snow and wind.

# HAMPTON BAY®

Questions, problems, missing parts? Before returning to the store,  
call Hampton Bay Customer Service.  
8 a.m. - 7 p.m., EST, Monday - Friday, 9 a.m. - 6 p.m., EST, Saturday

**1-855-HD-HAMPTON**

**HOMEDEPOT.CA**

Retain this manual for future use.

For certification use only
Factory left chair ID # FSS60428LB
Factory right chair ID # FSS60428LC
Factory corner chair ID # FSS60428A
Factory table ID # FTS61137A