

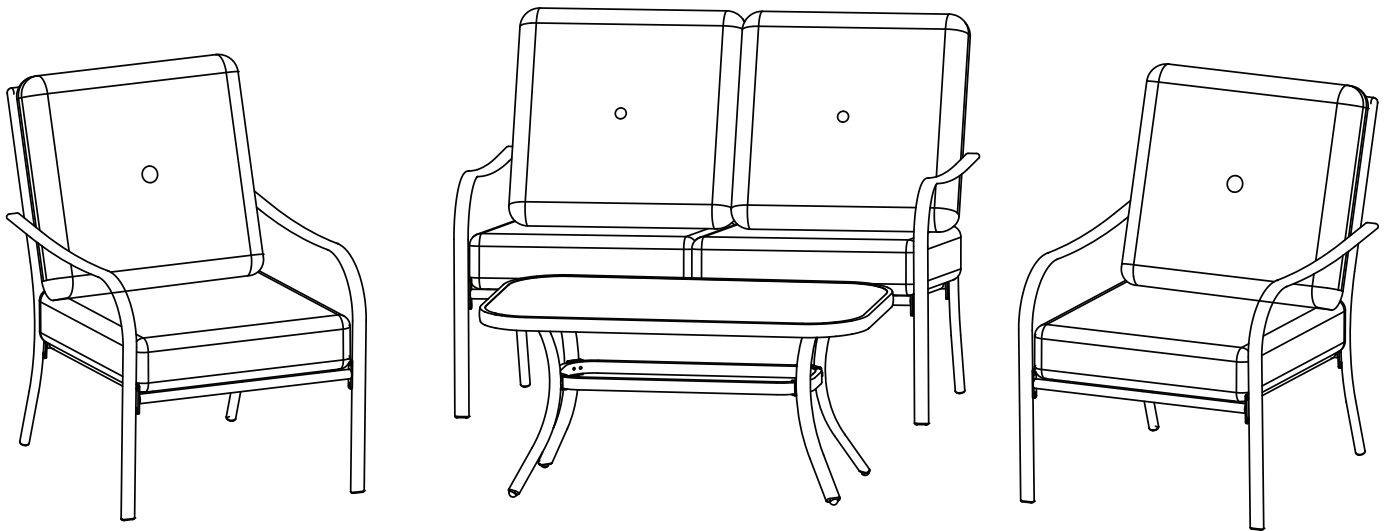
Item #0000 000 000  
Model #FSS60523E-ST

# HAMPTON BAY<sup>®</sup>

## USE AND CARE GUIDE

---

### VESTRI 4PC DEEP SEATING SET



Questions, problems, missing parts? Before returning to the store,  
call Hampton Bay Customer Service  
8 a.m. - 7 p.m., EST, Monday – Friday, 9 a.m. – 6 p.m., EST, Saturday

**1-855-HD-HAMPTON**

**HOMEDEPOT.CA**

---

#### **THANK YOU**


*We appreciate the trust and confidence you have placed in Hampton Bay through the purchase of this set. We strive to continually create quality products designed to enhance your home. Visit us online to see our full line of products available for your home improvement needs. Thank you for choosing Hampton Bay!*


# Table of Contents

Table of Contents . . . . .	2	Pre-Assembly . . . . .	3
Important Safety Instructions . . . . .	2	Planning Assembly . . . . .	3
Save These Instructions . . . . .	2	Hardware Included . . . . .	3
Read All Instructions Before Use . . . . .	2	Club Chair Package Contents . . . . .	4
Warranty . . . . .	3	Loveseat Package Contents . . . . .	5
What is covered . . . . .	3	Table Package Contents . . . . .	6
What is not covered . . . . .	3	Club Chair Assembly . . . . .	7
		Loveseat Assembly . . . . .	10
		Table Assembly . . . . .	13
		Care and Cleaning . . . . .	14

## Important Safety Instructions

### SAVE THESE INSTRUCTIONS


 **WARNING:** THIS SET WAS MADE FOR THE EXPLICIT PURPOSE OF PROVIDING OUTDOOR FUNCTIONS AND ARE NOT TO BE USED AS A TOY. THIS PRODUCT IS INTENDED FOR NORMAL OUTDOOR USE; HOWEVER, THE MANUFACTURER RECOMMENDS STORING AND/OR COVERING THIS PRODUCT WHEN ANY FORMIDABLE/SEVERE WEATHER IS APPROACHING.


 **WARNING:** DO NOT LOCATE THIS PRODUCT NEAR OPEN FLAMES. DO NOT USE THIS PRODUCT AS A SUPPORT. DO NOT SHAKE, LEAN OR CLIMB ON THE PRODUCT. CHILDREN UNDER THE AGE OF 10, NEAR THE PRODUCT, SHOULD BE SUPERVISED BY A COMPETENT ADULT AT ALL TIMES. THIS PRODUCT IS NOT INTENDED FOR COMMERCIAL USE AND WILL VOID THE WARRANTY.


### READ ALL INSTRUCTIONS BEFORE USE


To reduce the risk of injury to persons:

1. Close supervision is necessary when this furnishing is used by or near children, or disabled persons, if applicable.
2. Use this furnishing only for its intended use as described in these instructions. Do not use attachments not recommended by the manufacturer.
3. Do not move the chair while it is occupied. Failure to obey this caution could result in injury.


 **CAUTION:** When not in use, secure the product in a cool and covered location.

 **CAUTION:** Do not locate the product near any heat sources.

 **WARNING:** Weight limit for the chair is 250lbs (113.39Kg) for each seat.

 **WARNING:** Please keep children out of the assembly area before assembly.

 **WARNING:** The chair/loveseat/table units are heavy, and may require two adults for safe assembly.

 **WARNING:** Never use these products as a support. Do not shake, lean, or climb on the products at any time.

 **WARNING:** Do not place heavy objects on the chair, loveseat or table.

# Warranty

## 2 YEAR FRAME AND 2 YEAR FABRIC LIMITED WARRANTY

### WHAT IS COVERED

We warrant the frames to be free of manufacturing defects to the original purchaser for two years, and a two year limited warranty for the fabric.

### WHAT IS NOT COVERED

It remains the customer's responsibility for freight and packaging charges to and from our service center. This warranty does not cover commercial use, hardware, acts of nature, fire, freezing and abusive use. In addition, purchased parts are not covered under this warranty. We reserve the right to make substitutions with similar merchandise, if the model in question is no longer in production.

Contact the Customer Service Team at 1-855-HD-HAMPTON or visit [www.HOMEDEPOT.ca](http://www.HOMEDEPOT.ca).

# Pre-assembly

## PLANNING ASSEMBLY

Read all instructions before assembly.

To avoid damaging this product, assemble it on a soft, non-abrasive surface such as carpet or cardboard.

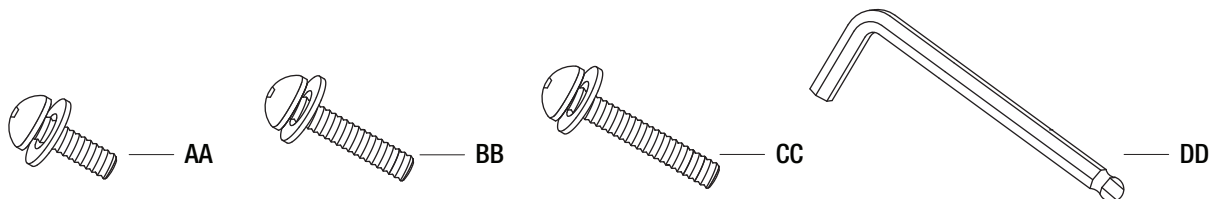


**NOTE:** More than one person may be required to assemble this product.

## HARDWARE INCLUDED



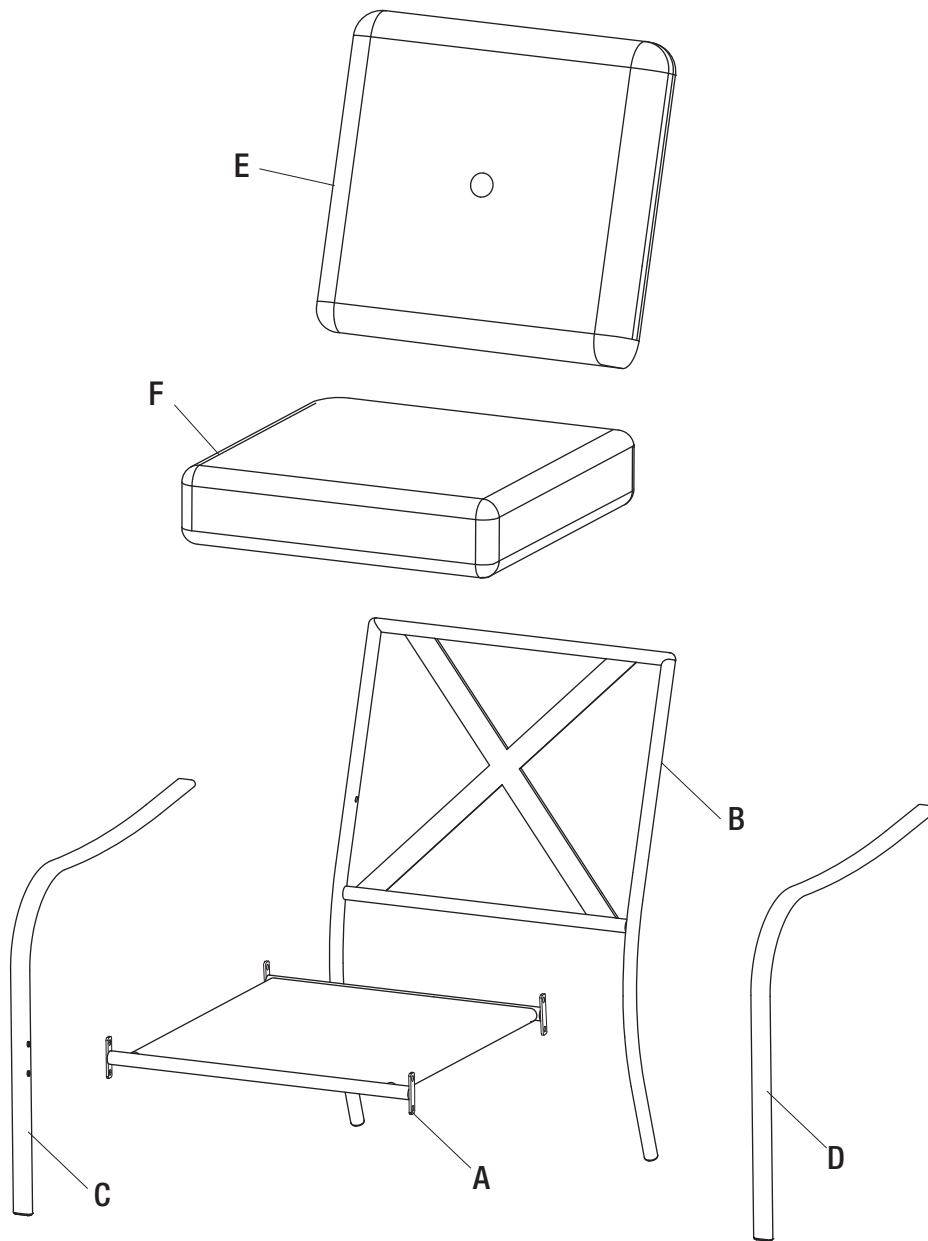
**NOTE:** Hardware not shown to actual size.



Part	Description	Quantity
AA	M6x15 Combination Bolt	24+1
BB	M6x25 Combination Bolt	8+1
CC	M6x35 Combination Bolt	6+1
DD	Hex Wrench	1

# Pre-assembly (continued)

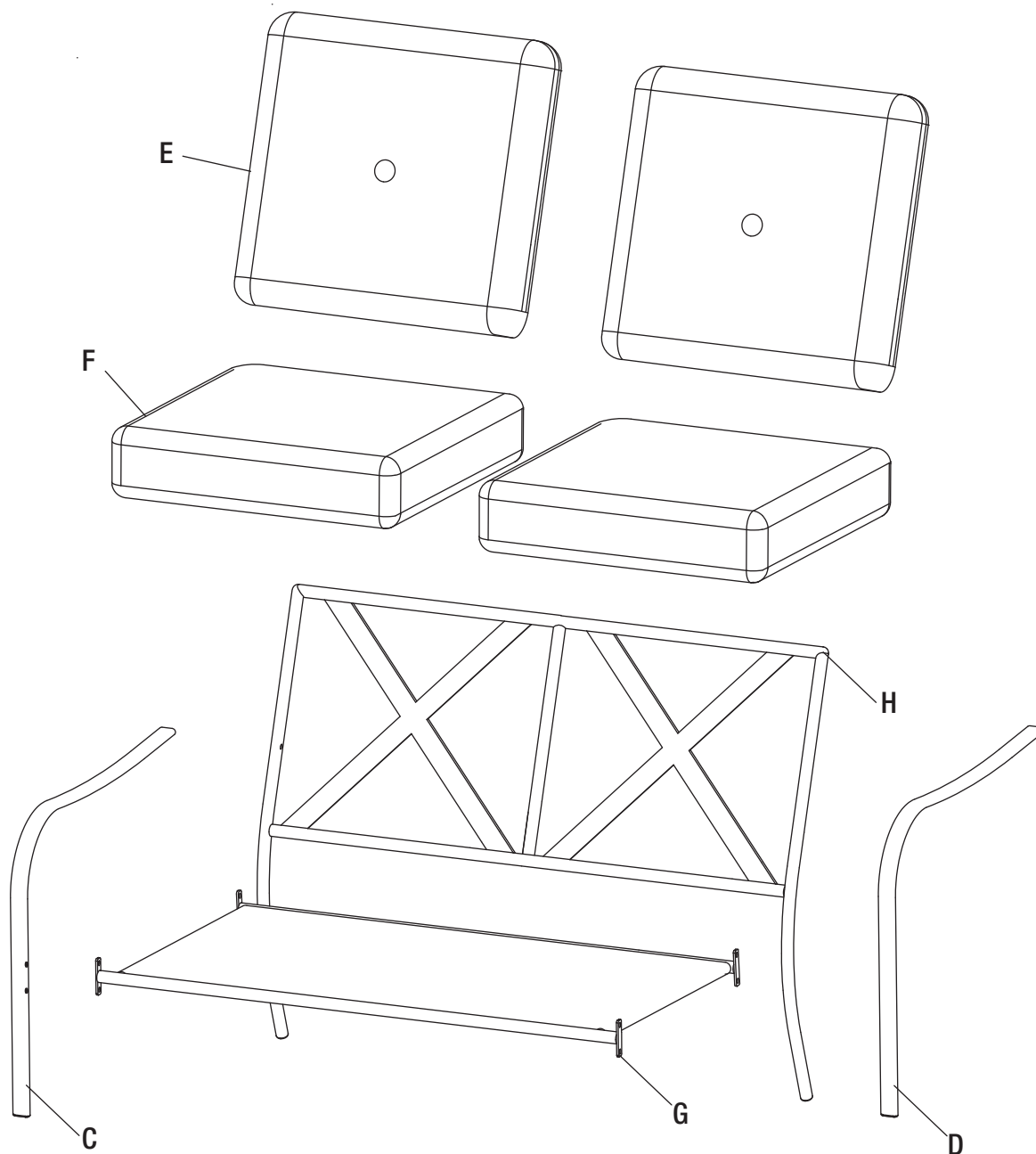
## CLUB CHAIR PACKAGE CONTENTS



Part	Description	Quantity
A	Club Chair Seat	2
B	Club Chair Backrest	2
C	Right Arm	2
D	Left Arm	2
E	Back Cushion	2
F	Seat Cushion	2

# Pre-assembly (continued)

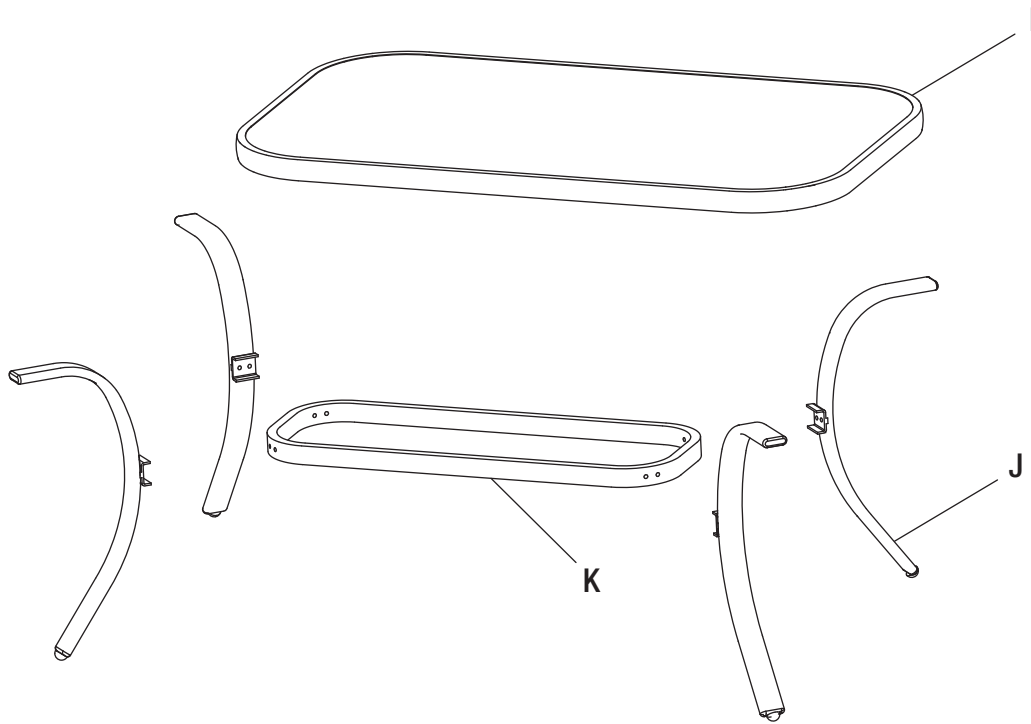
## LOVESEAT PACKAGE CONTENTS



Part	Description	Quantity
C	Right Arm	1
D	Left Arm	1
E	Back Cushion	2
F	Seat Cushion	2
G	Loveseat Seat	1
H	Loveseat Backrest	1

# Pre-assembly (continued)

## TABLE PACKAGE CONTENTS



Part	Description	Quantity
I	Table Top	1
J	Table Leg	4
K	Leg Connection	1

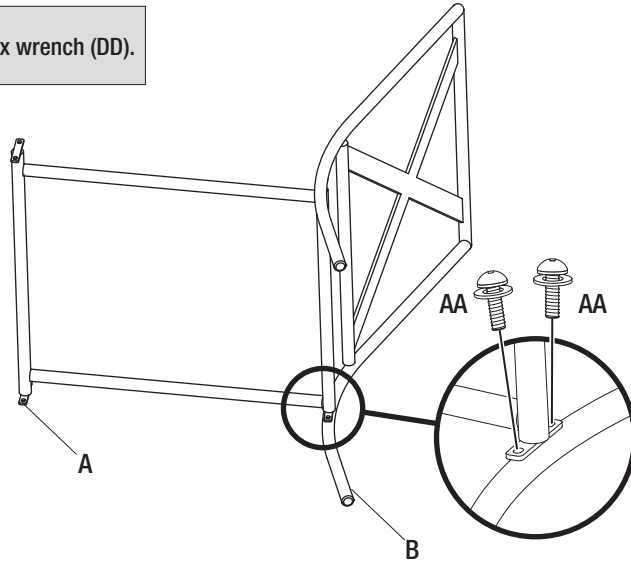
# Club Chair Assembly

## 1 Attaching The Club Chair Seat To The Chair Backrest

- Attach the club chair seat (A) to the club chair backrest (B) using M6x15 combination bolts (AA).
- Do not tighten the bolts at this step.



**NOTE:** Loosley tighten all the bolts using the hex wrench (DD).

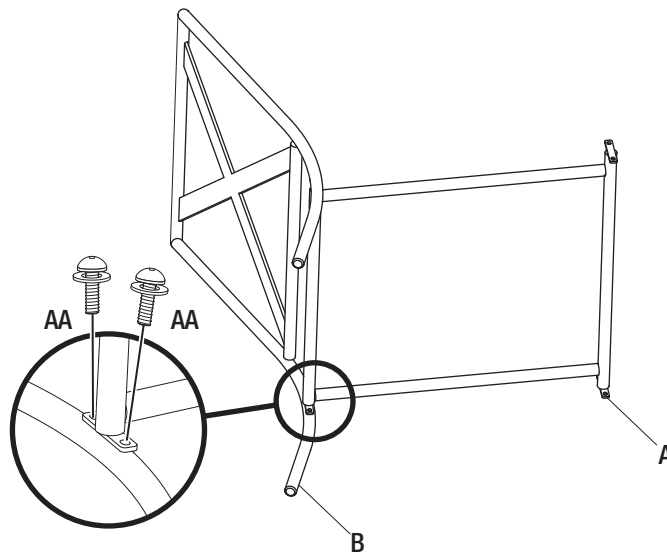


## 2 Attaching The Club Chair Seat To The Club Chair Backrest

- Attach the club chair seat (A) to the club chair backrest (A) using M6x15 combination bolts (AA).
- Do not tighten the bolts at this step.



**NOTE:** Loosley tighten all the bolts using the hex wrench (DD).



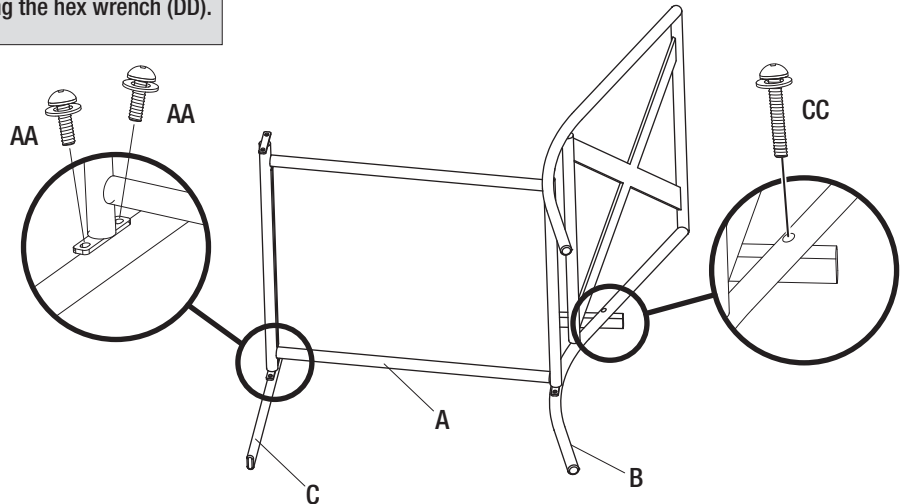
## Club Chair Assembly (continued)

### 3 Attaching The Right Arm To The Club Chair Seat And Backrest

- Attach the right arm (C) to the club chair seat (A) and the club chair backrest (B) using M6x15 combination bolts (AA) and M6x35 combination bolts (CC).
- Do not tighten the bolts at this step.

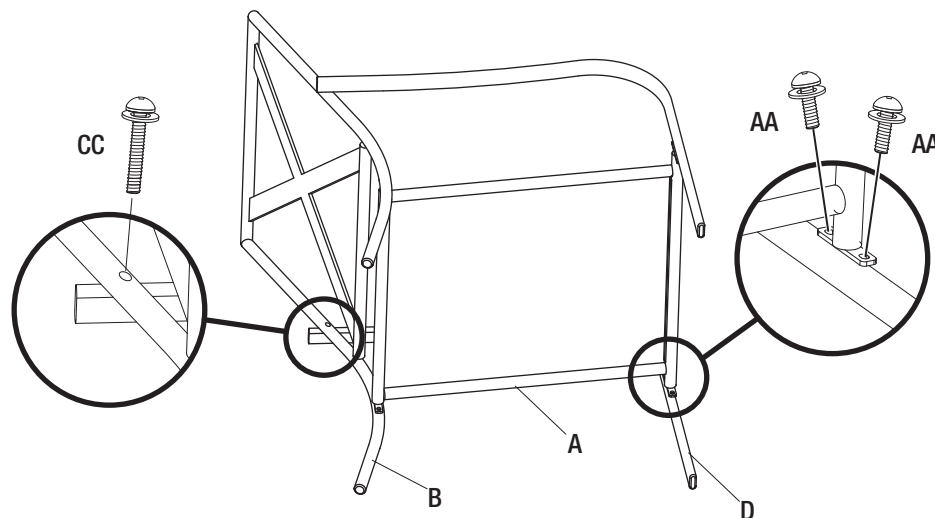


**NOTE:** Loosley tighten all the bolts using the hex wrench (DD).



### 4 Attaching The Left Arm To The Club Chair Seat And Backrest

- Attach the left arm (D) to the club chair seat (A) and the club chair backrest (B) using M6x15 combination bolts (AA) and M6x35 combination bolts (CC).
- Once all of the bolts are in place, fully tighten the bolts using the hex wrench (DD).

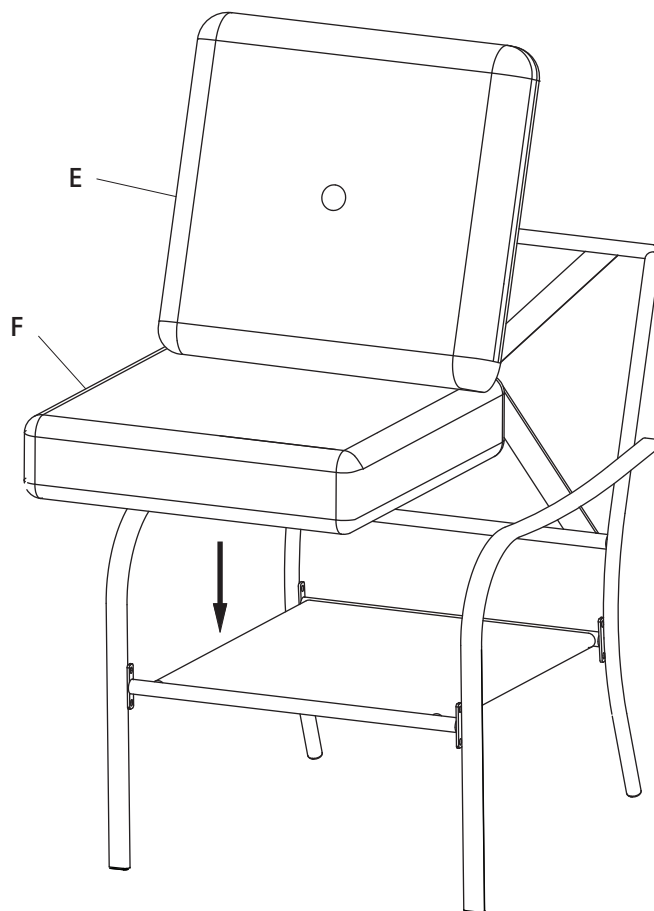




## Club Chair Assembly (continued)

### 5 Checking The Chair

- Turn the chair right side up.
- Place the back cushion (E) and seat cushion (F) to finish the assembly of the chair.
- Ensure all connections are secure before use.



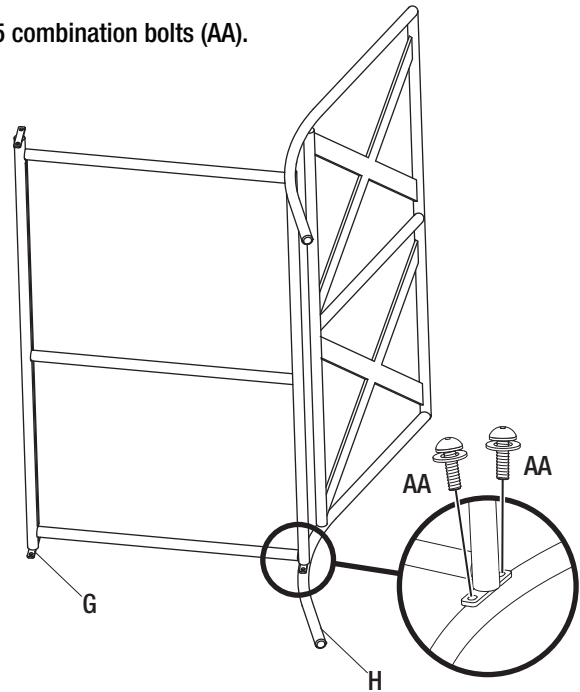
# Loveseat Assembly

## 1 Attaching The Loveseat Seat To The Loveseat Backrest

- Attach the loveseat seat (G) to the loveseat backrest (H) using M6x15 combination bolts (AA).
- Do not tighten the bolts at this step.



**NOTE:** Loosley tighten all the bolts using the hex wrench (DD).

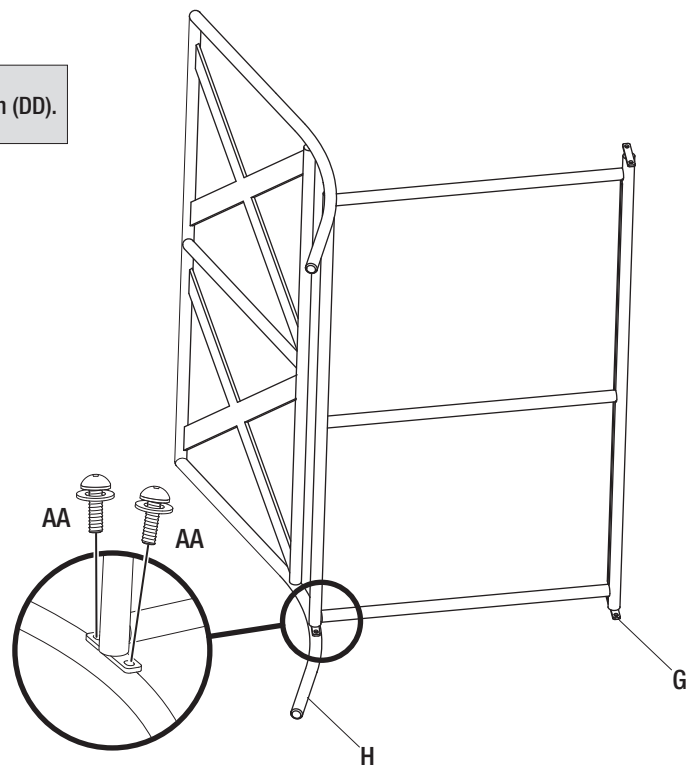


## 2 Attaching The Loveseat Seat To The Loveseat Backrest

- Attach the loveseat seat (G) to the loveseat backrest (H) using M6x15 combination bolts (AA).
- Do not tighten the bolts at this step.



**NOTE:** Loosley tighten all the bolts using the hex wrench (DD).



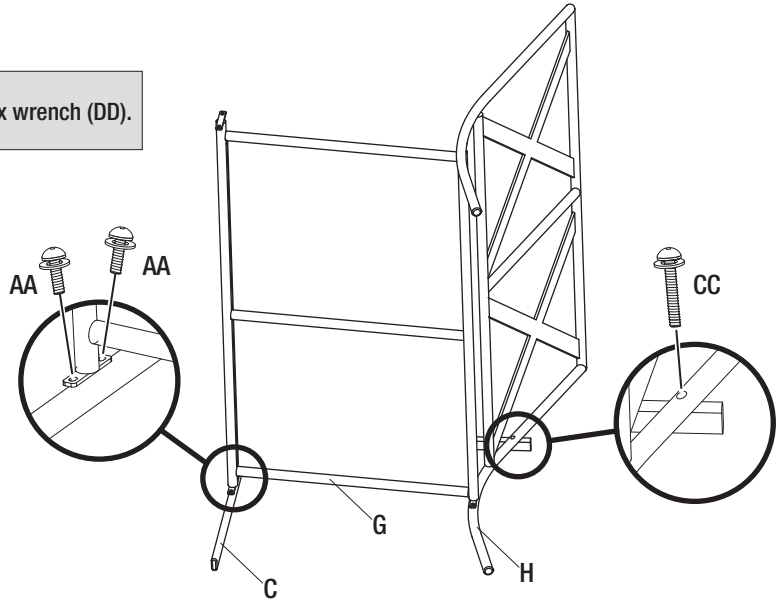
## Loveseat Assembly (continued)

### 3 Attaching The Right Arm To The Loveseat Seat And Backrest

- Attach the right arm (C) to the loveseat seat (G) and the loveseat backrest (H) using M6x15 combination bolts (AA) and M6x35 combination bolts (CC).
- Do not tighten the bolts at this step.

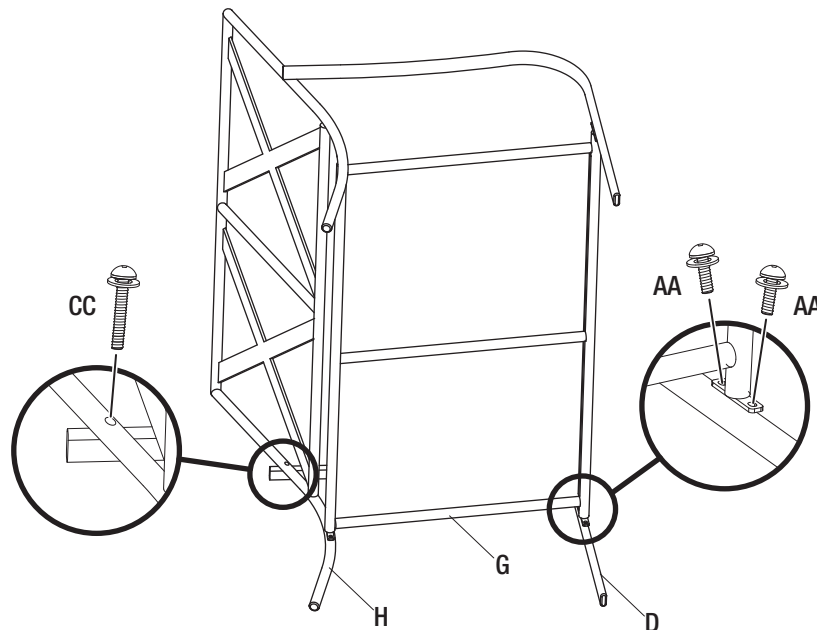


**NOTE:** Loosely tighten all the bolts using the hex wrench (DD).



### 4 Attaching The Left Arm To The Loveseat Seat And Backrest

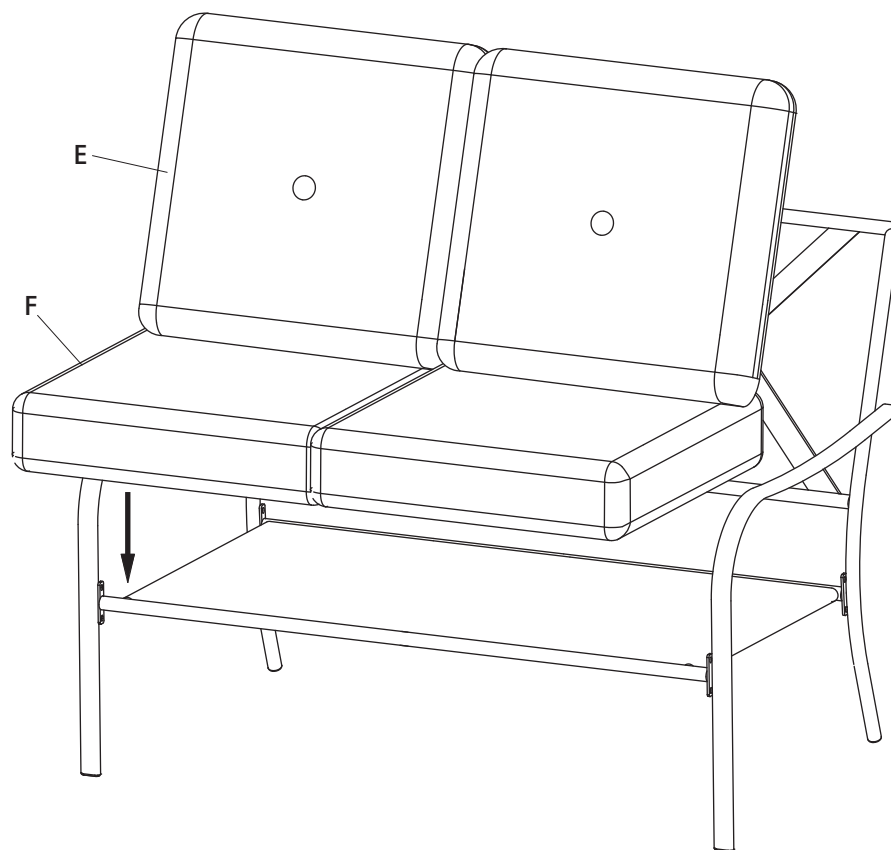
- Attach the left arm (D) to the loveseat seat (G) and the loveseat back (H) using M6x15 combination bolts (AA) and M6x35 combination bolts (CC).
- Once all of the bolts are in place, fully tighten the bolts using the hex wrench (DD)



## Loveseat Assembly (continued)

### 5 Checking The Loveseat

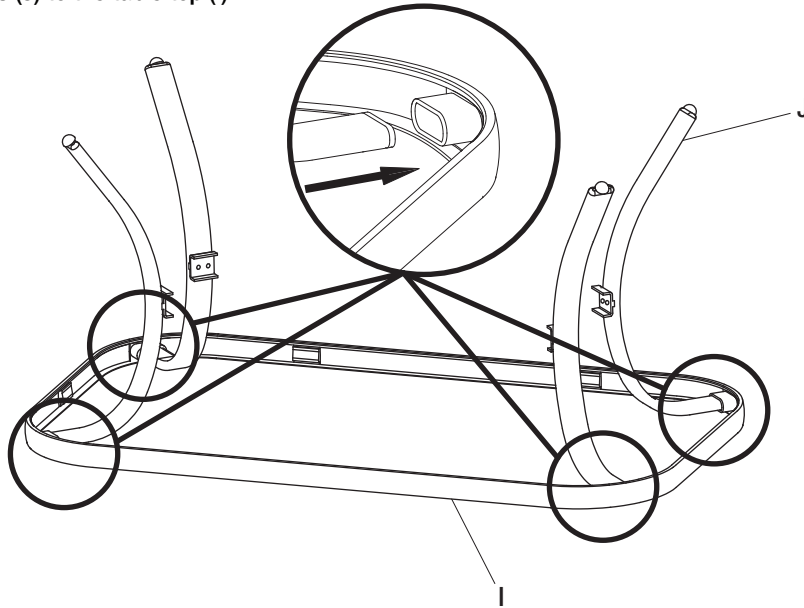
- Turn the loveseat right side up.
- Place the back cushion (E) and seat cushion (F) to finish the assembly of the loveseat.
- Ensure all connections are secure before use.



# Table Assembly

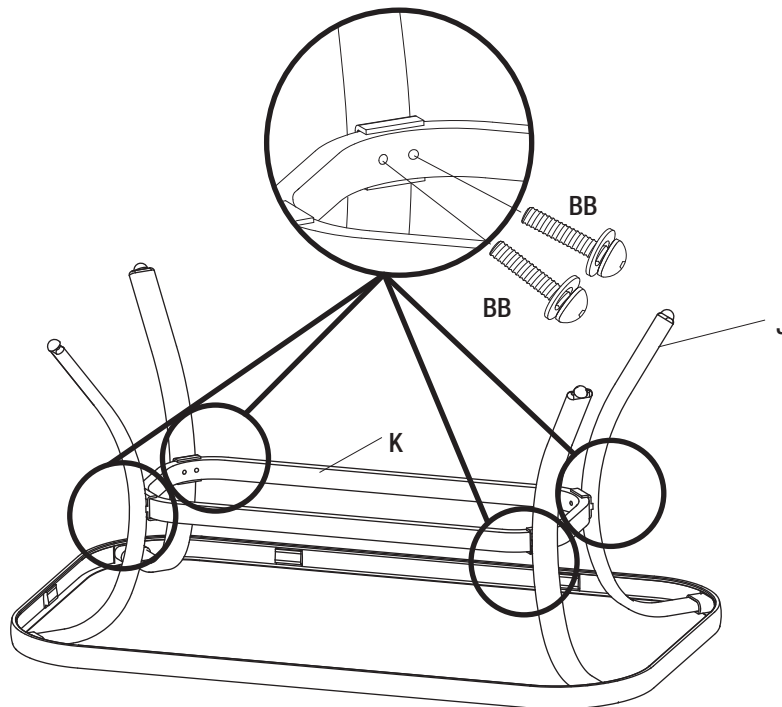
## 1 Attaching The Table Leg To The Table Top

- Place the table top (I) upside down on a soft surface.
- Attach the table legs (J) to the table top (I).



## 2 Attaching The Leg Connection To The Table Legs

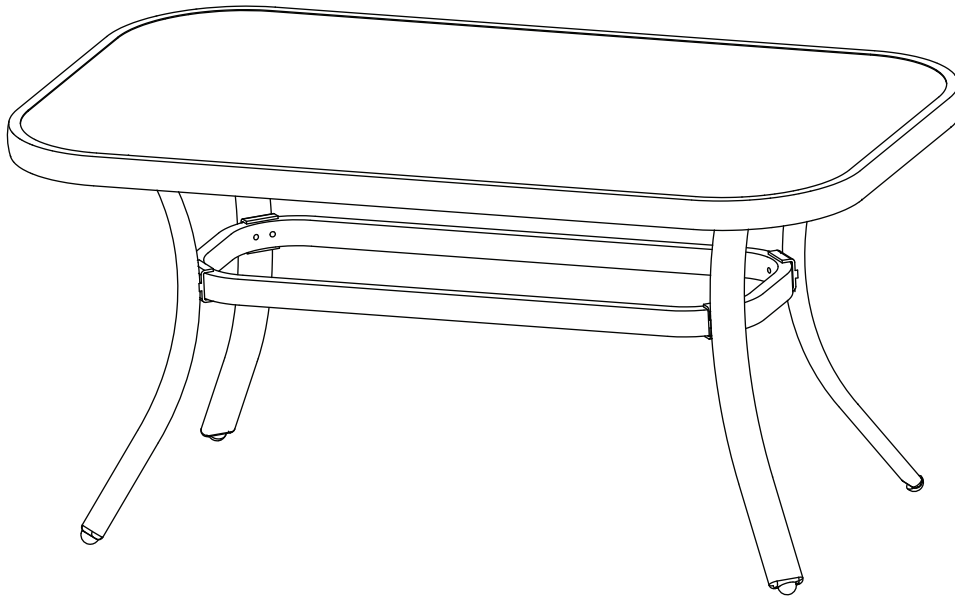
- Attach the leg connection (K) to the table legs (J) using M6x25 combination bolts (BB).
- Do not tighten the bolts at this step.



## Table Assembly (continued)

### 3 Tightening The Bolts

- Once all of the bolts are in place, fully tighten all the bolts using the hex wrench (DD).
- Turn the table right side up.
- Ensure that all connections are secure.



## Care and Cleaning

- For best results, clean the frame and cushions with a damp cloth and dry thoroughly. This will help prevent mildew by removing dirt particles that may accumulate.
- Do not clean with abrasive materials, bleach or solvents.
- Store the set in a dry sheltered place when not in use.
- Keep the set away from fire, extreme heat, freezing conditions, and inclement weather such as rain, hail, sleet, snow, or wind.

# HAMPTON BAY<sup>®</sup>

Questions, problems, missing parts? Before returning to the store,  
call Hampton Bay Customer Service  
8 a.m. – 7 p.m., EST, Monday – Friday, 9 a.m. – 6 p.m., EST, Saturday

**1-855-HD-HAMPTON**

**HOMEDEPOT.CA**

Retain this manual for future use.

For certification use only
Factory Chair ID# FSS60523E
Factory Loveseat ID# FSS60523EL
Factory Table ID# FTS61310