

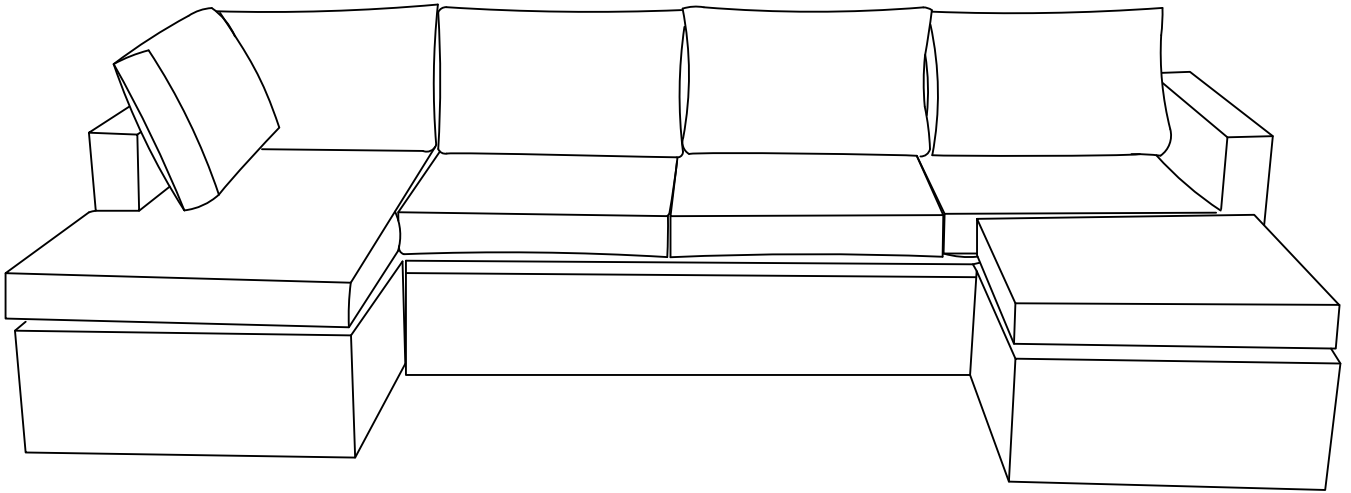
Item # 1001 414 206  
Model # FRS01983-ST-1

# HAMPTON BAY®

## USE AND CARE GUIDE

---

### HAWTHORNE ESTATES SECTIONAL SET WITH OTTOMAN



Questions, problems, missing parts? Before returning to the store,  
call Hampton Bay Customer Service  
8 a.m. - 7 p.m., EST, Monday - Friday, 9 a.m. - 6 p.m., EST, Saturday

**1-855-HD-HAMPTON**

**HAMPTONBAY.CA**

---

**THANK YOU**

*We appreciate the trust and confidence you have placed in Hampton Bay through the purchase of this sectional. We strive to continually create quality products designed to enhance your home. Visit us online to see our full line of products available for your home improvement needs. Thank you for choosing Hampton Bay!*

# Table of Contents

Table of Contents.....	2	Pre-Assembly.....	3
Important Safety Instructions.....	2	Planning Assembly.....	3
Save These Instructions.....	2	Hardware Included.....	3
Read All Instructions Before Use.....	2	Right Arm Chaise Package Contents.....	4
Warranty.....	3	Assembly.....	5
What is Covered.....	3	Set Assembly.....	7
What is Not Covered.....	3	Care and Cleaning.....	7

## Important Safety Instructions

### SAVE THESE INSTRUCTIONS



**WARNING:** This set was made for the explicit purpose of providing outdoor functions and is not to be used as a toy. This product is intended for normal outdoor use; however, the manufacturer recommends storing and / or covering this set when any formidable / severe weather is approaching.



**WARNING:** Do not locate this product near open flames. Do not use this product as a support. Do not shake, lean or climb on the product. Children under the age of 10, near the product, should be supervised by a competent adult at all times. This product is NOT intended for commercial use and will void the warranty.

### READ ALL INSTRUCTIONS BEFORE USE

To reduce the risk of injury to persons:

1. Close supervision is necessary when this product is used by or near children, or disabled persons, if applicable.
2. Use this furnishing only for its intended use as described in these instructions. Do not use attachments not recommended by the manufacturer.
3. Do not move the chairs while the chairs are occupied. Failure to obey this caution could result in injury.
4. Do not rock in the chairs as you may fall and cause serious injury.
5. Please keep children out of the assembly area before assembly.



**WARNING:** Weight limit for the chairs is 250 lbs. (113.39 kg) for each seat.



**WARNING:** This set unit is heavy, and may require two adults for safe assembly.



**WARNING:** Do not place heavy objects on the ottoman.



**WARNING:** Do not place heavy objects on the chairs.



**CAUTION:** Do not locate the product near any heat source.



**CAUTION:** When not in use, secure the product in a cool and covered location.

# Warranty

## 2 YEAR FRAME AND 2 YEAR FABRIC WARRANTY

### WHAT IS COVERED

We warrant the frame to be free of manufacturing defects to the original purchaser for two years, and a two year limited warranty for fabric.

### WHAT IS NOT COVERED

It remains the customer's responsibility for freight and packaging charges to and from our service center. This warranty does not cover commercial use, hardware, acts of nature, fire, freezing and abusive use. In addition, purchased parts are not covered under this warranty. We reserve the right to make substitutions with similar merchandise, if the model in question is no longer in production.

Contact the Customer Service Team at 1-855-HD-HAMPTON or visit [www.HamptonBay.ca](http://www.HamptonBay.ca)

# Pre-Assembly

## PLANNING ASSEMBLY

Read all instructions before assembly.

To avoid damaging this product, assemble it on a soft, non-abrasive surface such as carpet or cardboard.



**NOTE:** More than one person may be required to assemble this product.

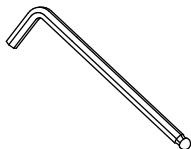
## HARDWARE INCLUDED



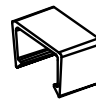
**NOTE:** Hardware not shown to actual size.



AA



BB

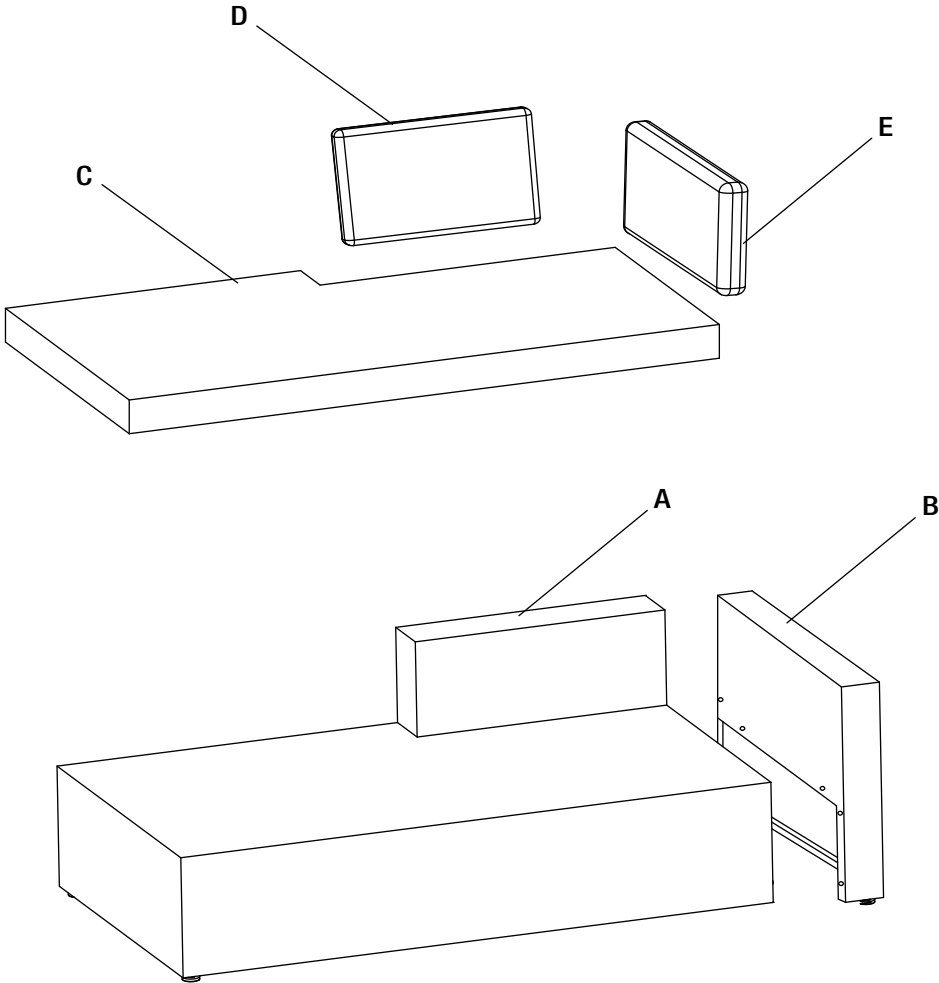


F

Part	Description	Quantity
AA	M6x40 combination bolt	6+1
BB	Hex wrench	1
F	Plastic clip	4

# Pre-Assembly (continued)

## RIGHT ARM CHAISE PACKAGE CONTENTS

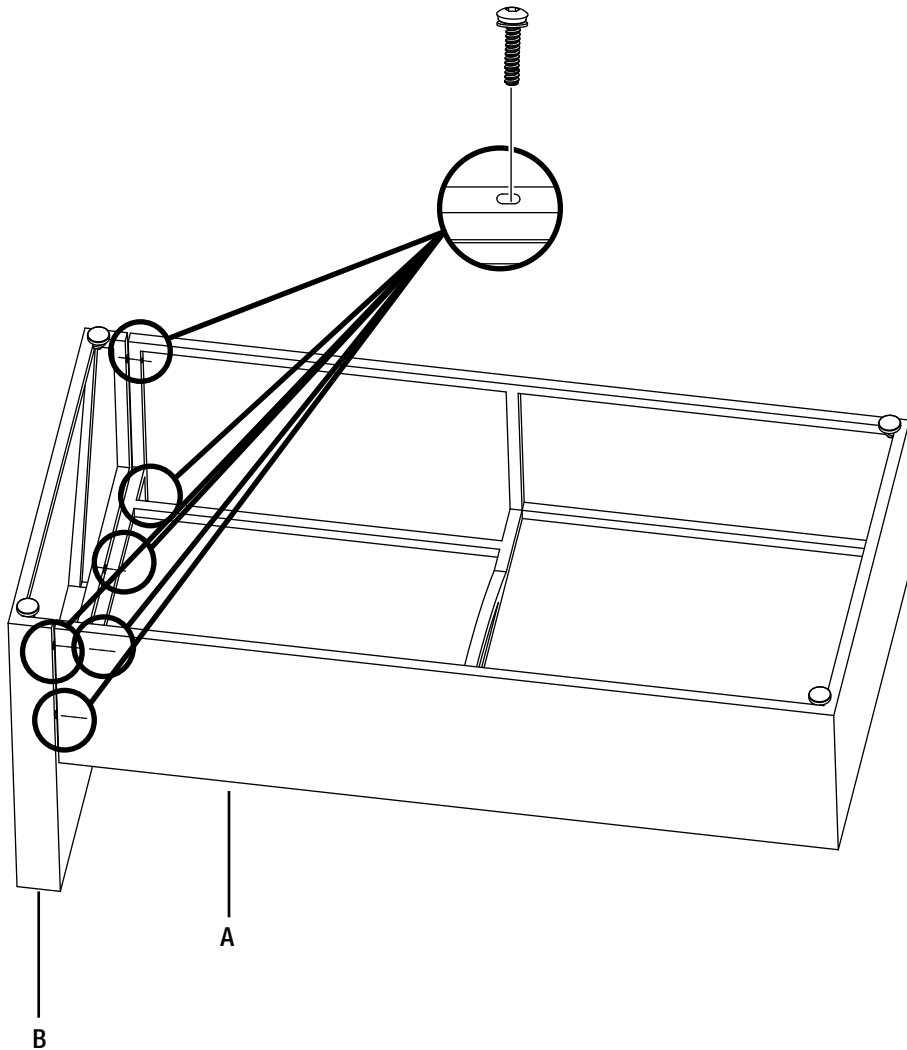


Part	Description	Quantity
A	Seat	1
B	Back	1
C	Seat cushion	1
D	Arm cushion	1
E	Back cushion	1

# Assembly

## 1 Attaching the arm to the seat

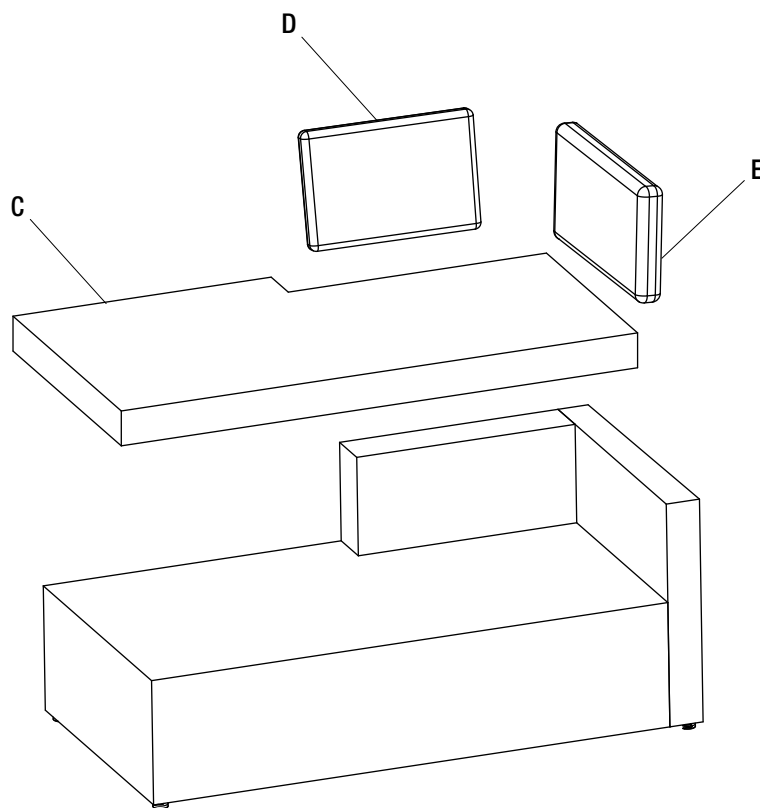
- Place the seat (A) upside down on a soft surface.
- Attach the back (B) to the seat (A) using M6x40 combination bolts (AA).
- Once all the bolts are in place, fully tighten all the bolts.



## Assembly (continued)

### 2 Checking the chaise

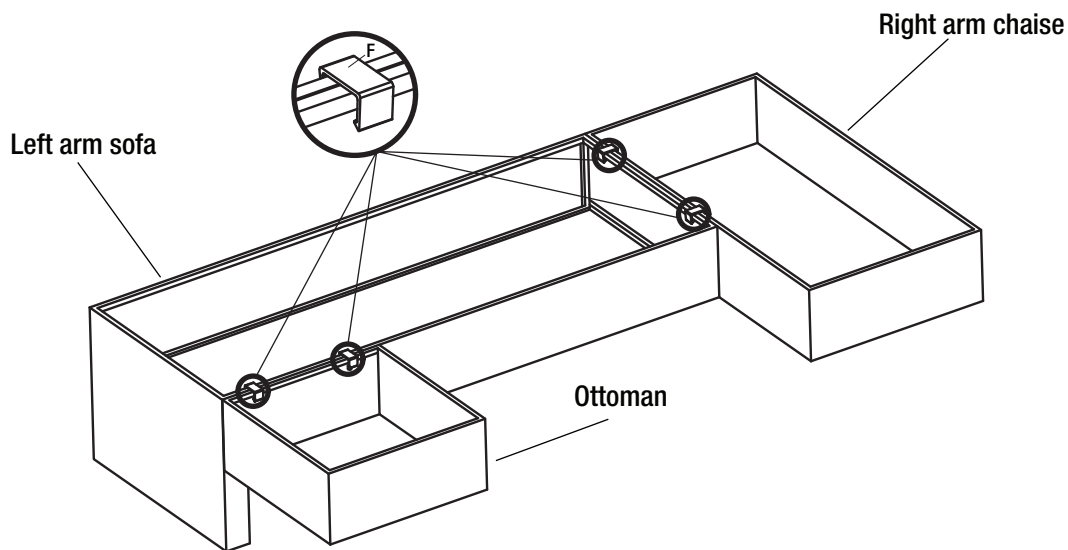
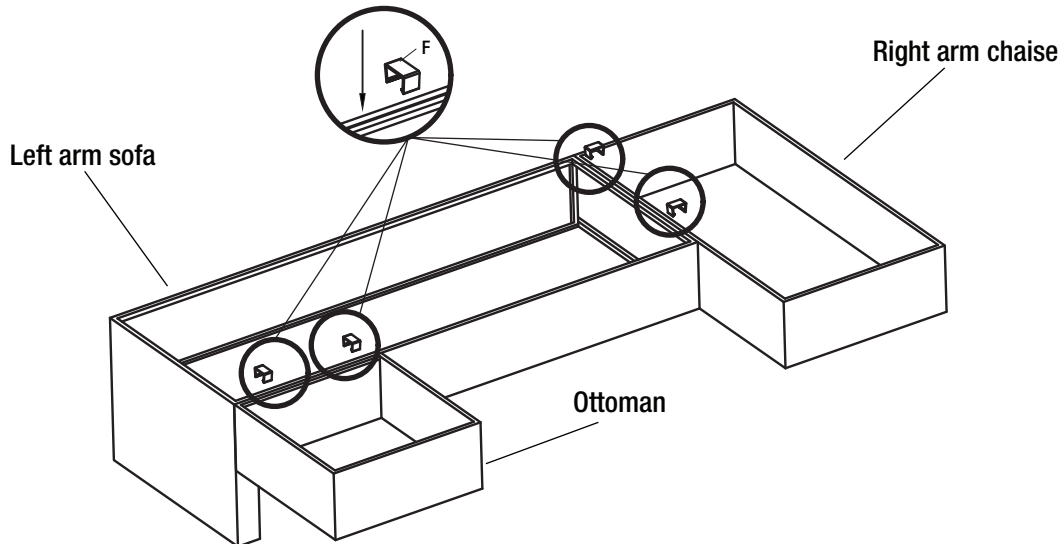
- Turn the chaise right side up.
- Place the seat cushions (C), the arm cushion (D), the back cushion (E) to finish the assembly of the chaise.
- Ensure all connections are secure before use.



# Set Assembly

## 1 Connect the left arm sofa, the right arm chaise and the ottoman

- Connect the left arm sofa, the right arm chaise and the ottoman using the plastic clips (F) to finish the assembly of this set.



## Care and Cleaning

- For best results, clean the frame and fabric with a damp cloth and dry thoroughly. This will help prevent mildew by removing dirt particles that may accumulate.
- Do not clean with abrasive materials, bleach, or solvents.
- Store the chairs and ottoman in a dry, sheltered place when not in use.
- Keep the chairs and ottoman away from fire, extreme heat, freezing conditions, and inclement weather such as rain, hail, sleet, snow, or wind.

# HAMPTON BAY<sup>®</sup>

Questions, problems, missing parts? Before returning to the store,  
call Hampton Bay Customer Service  
8 a.m. - 7 p.m., EST, Monday - Friday, 9 a.m. - 6 p.m., EST, Saturday

**1-855-HD-HAMPTON**

**HAMPTONBAY.CA**

Retain this manual for future use.

For certification use only

Factory chaise ID # FRS01333H  
Factory sofa ID # FRS01983  
Factory ottoman ID # FWS00588F