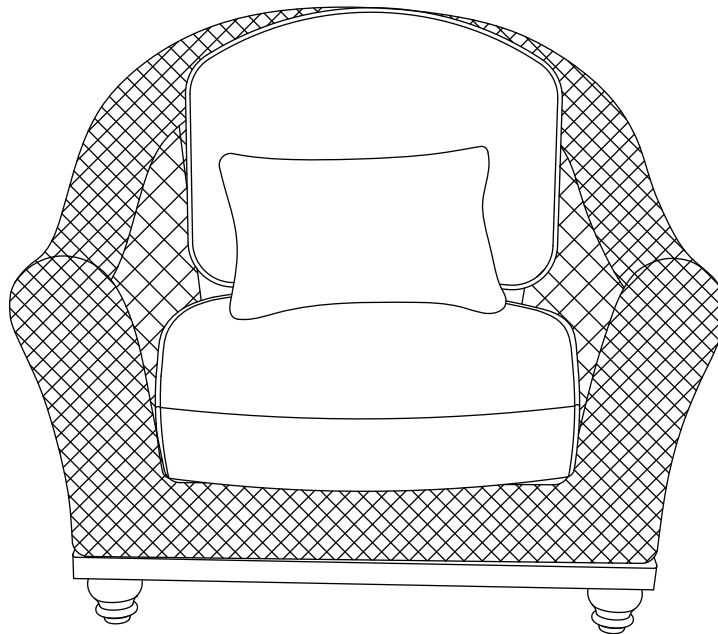


## USE AND CARE GUIDE

---

### CAMDEN 2-PACK LOUNGE CHAIR - SEAGRASS



Questions, problems, missing parts? Before returning to the store,  
call Home Decorators Collection Customer Service.  
8 a.m. - 7 p.m., EST, Monday - Friday, 9 a.m. - 6 p.m., EST, Saturday

**1-800-986-3460**

**[HOMEDEPOT.COM/HOMEDECORATORS](https://www.homedepot.com/homedecorators)**

---

**THANK YOU**

*We appreciate the trust and confidence you have placed in Home Decorators Collection through the purchase of this chair. We strive to continually create quality products designed to enhance your home. Visit us online to see our full line of products available for your home improvement needs. Thank you for choosing Home Decorators Collection!*

# Table of Contents

Table of Contents.....	2	Pre-Assembly .....	3
Important Safety Instructions .....	2	Planning Assembly .....	3
Save These Instructions .....	2	Hardware Included .....	3
Read All Instructions Before Use .....	2	Package Contents .....	4
Warranty .....	3	Assembly .....	5
What is Covered .....	3	Care and Cleaning .....	6
What is Not Covered .....	3		

## Important Safety Instructions

### SAVE THESE INSTRUCTIONS



**WARNING:** This lounge chair was made for the explicit purpose of providing outdoor functions and is not to be used as a toy. This product is intended for normal outdoor use; however, the manufacturer recommends storing and / or covering this product when any formidable / severe weather is approaching.



**WARNING:** Do not locate this product near open flames. Do not use this product as a support. Do not shake, lean or climb on the product. Children under the age of 10, near the product, should be supervised by a competent adult at all times. This product is NOT intended for commercial use and will void the warranty.

### READ ALL INSTRUCTIONS BEFORE USE

To reduce the risk of injury to persons:

1. Close supervision is necessary when this product is used by or near children, or disabled persons, if applicable.
2. Use this furnishing only for its intended use as described in these instructions. Do not use attachments not recommended by the manufacturer.
3. Do not move the chairs while the chairs are occupied. Failure to obey this caution could result in injury.
4. Do not rock in the chair as you may fall and cause serious injury.
5. Please keep children out of the assembly area before assembly.



**WARNING:** Do not place heavy objects on the chair.



**WARNING:** Weight limit for chair is 250 lbs (113.39 kg) for each seat.



**WARNING:** This chair unit is heavy, and may require two adults for safe assembly.



**CAUTION:** Do not locate the product near any heat source.

# Warranty

## 5 YEAR FRAME, FABRIC AND WEAVE LIMITED WARRANTY

### WHAT IS COVERED

We warrant the frame, fabric and weave to be free of manufacturing defects to the original purchaser for five years.

### WHAT IS NOT COVERED

It remains the customer's responsibility for freight and packaging charges to and from our service center. This warranty does not cover commercial use, hardware, acts of nature, fire, freezing and abusive use. In addition, purchased parts are not covered under this warranty. We reserve the right to make substitutions with similar merchandise, if the model in question is no longer in production.

Contact the Customer Service Team at 1-800-986-3460 or visit [www.homedepot.com/homedecorators](http://www.homedepot.com/homedecorators).

# Pre-Assembly

## PLANNING ASSEMBLY

Read all instructions before assembly.

To avoid damaging this product, assemble it on a soft, non-abrasive surface such as carpet or cardboard.



**NOTE:** More than one person may be required to assemble this product.

## HARDWARE INCLUDED



**NOTE:** Hardware not shown to actual size.



AA

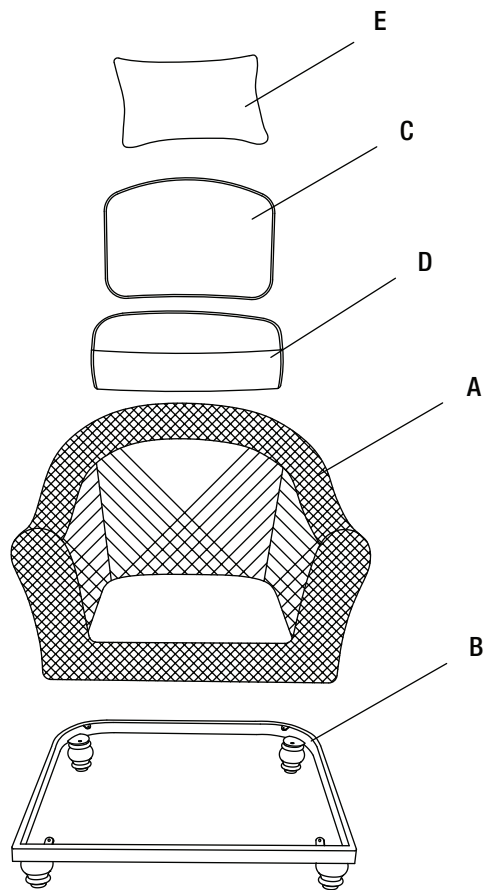


BB

Part	Description	Quantity
AA	M6x25 combination bolt	8+1
BB	Hex wrench	1

# Pre-Assembly (continued)

## PACKAGE CONTENTS

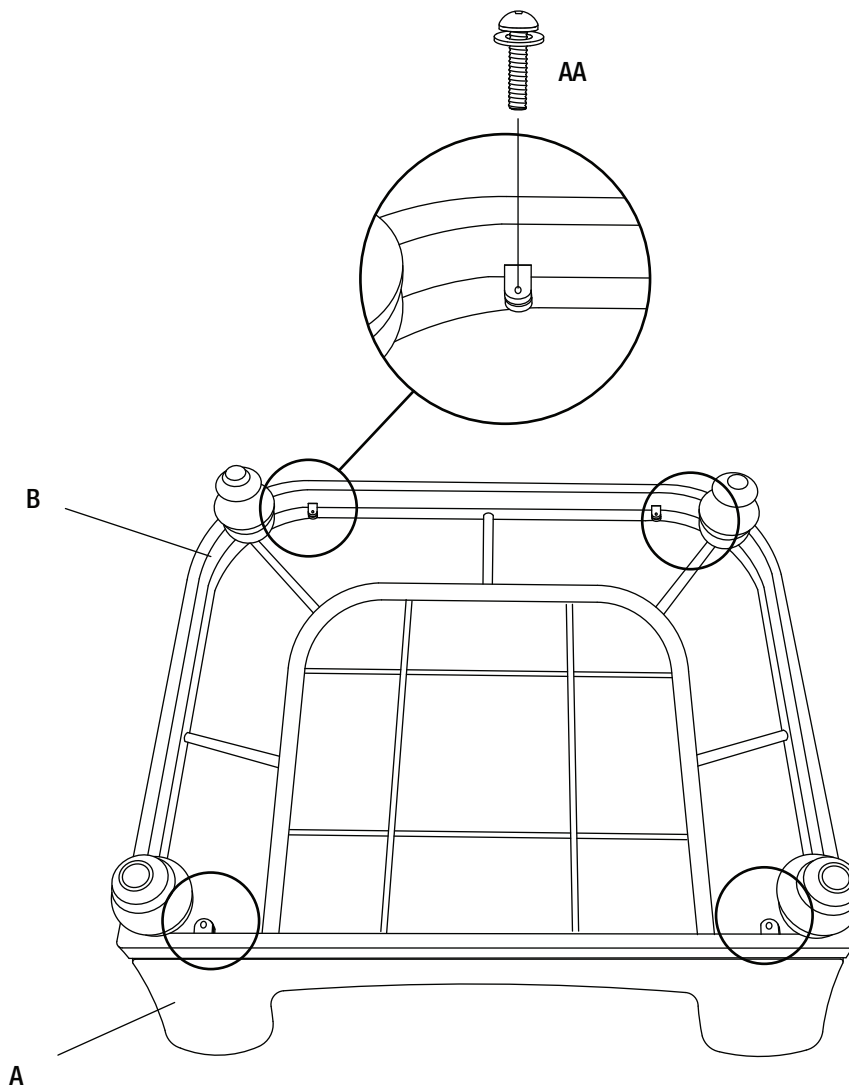


Part	Description	Quantity
A	Seat	2
B	Base	2
C	Back cushion	2
D	Seat cushion	2
E	Accent pillow	2

# Assembly

## 1 CONNECTING THE BASE TO THE SEAT

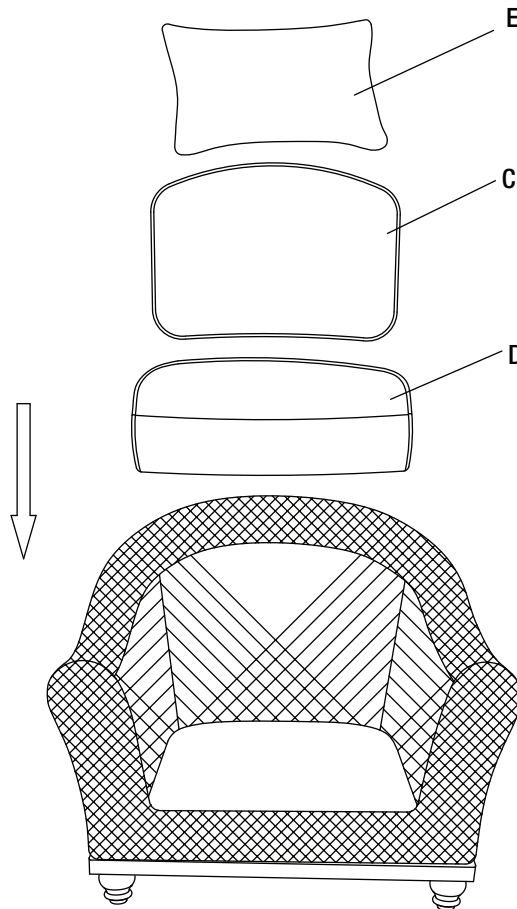
- Attach the base (B) to the seat (A) using M6x25 combination bolts (AA).
- Once all of the bolts are in place, fully tighten all the bolts using the hex wrench (BB).



## Assembly (continued)

### 2 CHECKING THE CHAIR

- Turn the chair right side up.
- Place the seat, the back cushion and the accent pillow (D & C & E) to finish the assembly of the chair.
- Ensure all connections are secure before use.



## Care and Cleaning

- For best results, clean the chair with a damp cloth and dry thoroughly. This will help prevent mildew by removing dirt particles that may accumulate.
- Do not clean with abrasive materials, bleach, or solvents.
- Store the chair in a dry, sheltered place when not in use.
- Keep the chair away from fire, extreme heat, freezing conditions, and inclement weather such as rain, hail, sleet, snow, or wind.

**HOME  
DECORATORS  
COLLECTION®**

Questions, problems, missing parts? Before returning to the store,  
call Home Decorators Collection Customer Service.  
8 a.m. - 7 p.m., EST, Monday - Friday, 9 a.m. - 6 p.m., EST, Saturday

**1-800-986-3460**

**[HOMEDEPOT.COM/HOMEDECORATORS](http://HOMEDEPOT.COM/HOMEDECORATORS)**

Retain this manual for future use.

For certification use only
Factory chair ID # FRA60624A