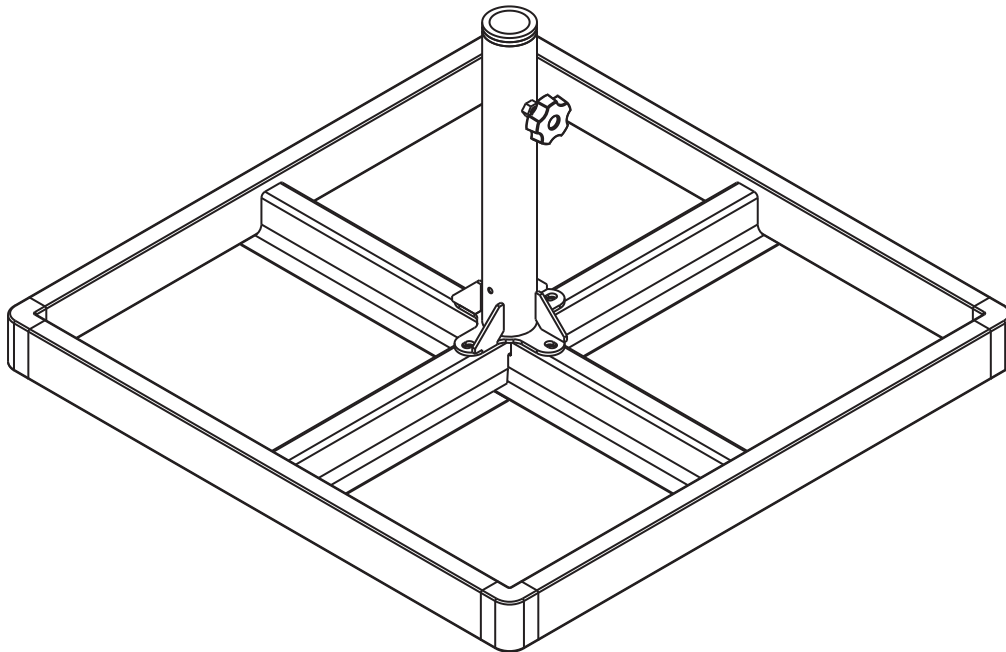


Item # 1004 632 745
1004 632 741
Model # R04361
R04361-B

HAMPTON BAY®

USE AND CARE GUIDE

UMBRELLA BASE WITH PAVERS



Questions, problems, missing parts? Before returning to the store,
call Hampton Bay Customer Service
8 a.m. - 7 p.m., EST, Monday – Friday, 9 a.m. – 6 p.m., EST, Saturday

1-855-HD-HAMPTON

HAMPTONBAY.COM

THANK YOU

We appreciate the trust and confidence you have placed in Hampton Bay through the purchase of this umbrella base. We strive to continually create quality products designed to enhance your home. Visit us online to see our full line of products available for your home improvement needs. Thank you for choosing Hampton Bay!

Table of Contents

Table of Contents	2	Pre-Assembly	3
Safety Information	2	Planning Assembly	3
Product Caution	2	Hardware Included	3
Safety Warnings	2	Package Contents	4
Warranty	2	Assembly	5
What is covered	2	Care and Cleaning	7
What is not covered	2		

Safety Information

PRODUCT CAUTION

THIS UMBRELLA BASE IS MADE FOR THE EXPLICIT PURPOSE OF PROVIDING OUTDOOR FUNCTIONS AND IS NOT TO BE USED AS A TOY. THIS PRODUCT IS INTENDED FOR NORMAL OUTDOOR USE; HOWEVER, THE MANUFACTURER RECOMMENDS STORING AND/OR COVERING THIS PRODUCT WHEN ANY FORMIDABLE/SEVERE WEATHER IS APPROACHING. DO NOT LOCATE THIS PRODUCT NEAR OPEN FLAMES. DO NOT USE THIS PRODUCT AS A SUPPORT. DO NOT SHAKE, LEAN OR CLIMB ON THE PRODUCT. CHILDREN UNDER THE AGE OF 10, NEAR THE PRODUCT, SHOULD BE SUPERVISED BY A COMPETENT ADULT AT ALL TIMES. THIS PRODUCT IS NOT INTENDED FOR COMMERCIAL USE AND WILL VOID THE WARRANTY.

SAFETY WARNINGS



CAUTION: When not in use, secure the product in a cool and covered location.



WARNING: Please keep children out of the assembly area before assembly.



CAUTION: Do not locate the product near any heat sources.



WARNING: This umbrella base unit is heavy, and may require two adults for safe assembly.



CAUTION: Never use an umbrella in high wind conditions. Damage to the umbrella can occur.



WARNING: Never use this product as a support. Do not shake, lean, or climb on the product at any time.



WARNING: Do not place heavy objects on the umbrella base.

Warranty

1 YEAR FRAME WARRANTY

WHAT IS COVERED

We warrant the frame to be free of manufacturing defects to the original purchaser for one year.

WHAT IS NOT COVERED

It remains the customer's responsibility for freight and packaging charges to and from our service center. This warranty does not cover commercial use, hardware, acts of nature, fire, freezing and abusive use. In addition, purchased parts are not covered under this warranty. We reserve the right to make substitutions with similar merchandise, if the model in question is no longer in production.

Contact the Customer Service Team at 1-855-HD-HAMPTON or visit www.HAMPTONBAY.com.

Pre-Assembly

PLANNING ASSEMBLY

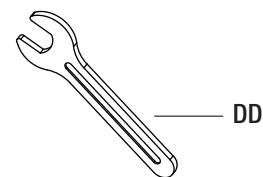
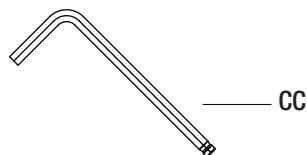
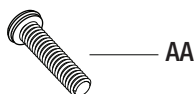
Read all instructions before assembly.

To avoid damaging this product, assemble it on a soft, non-abrasive surface such as carpet or cardboard.

 **NOTE:** More than one person may be required to assemble this product.

HARDWARE INCLUDED

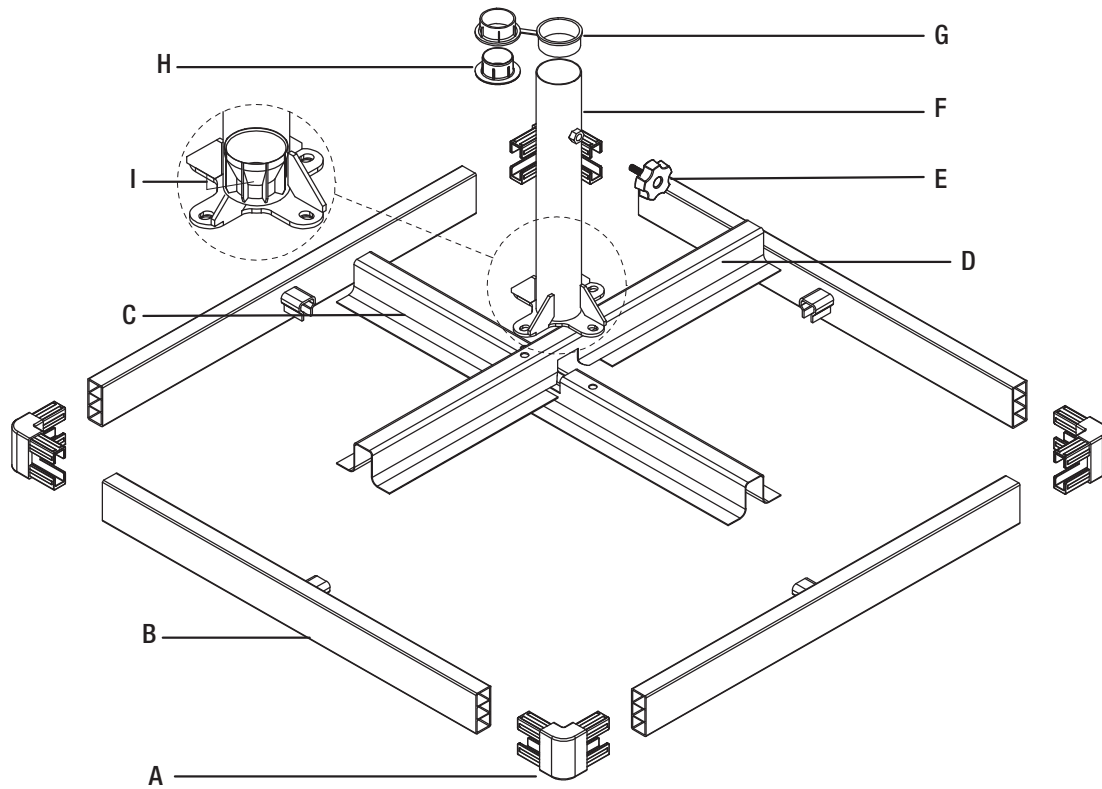
 **NOTE:** Hardware not shown to actual size.



Part	Description	Quantity
AA	M6x18 Bolt	8+1
BB	M8x20 Combination Bolt	4+1
CC	Hex Wrench	1
DD	Wrench	1

Pre-Assembly (continued)

PACKAGE CONTENTS

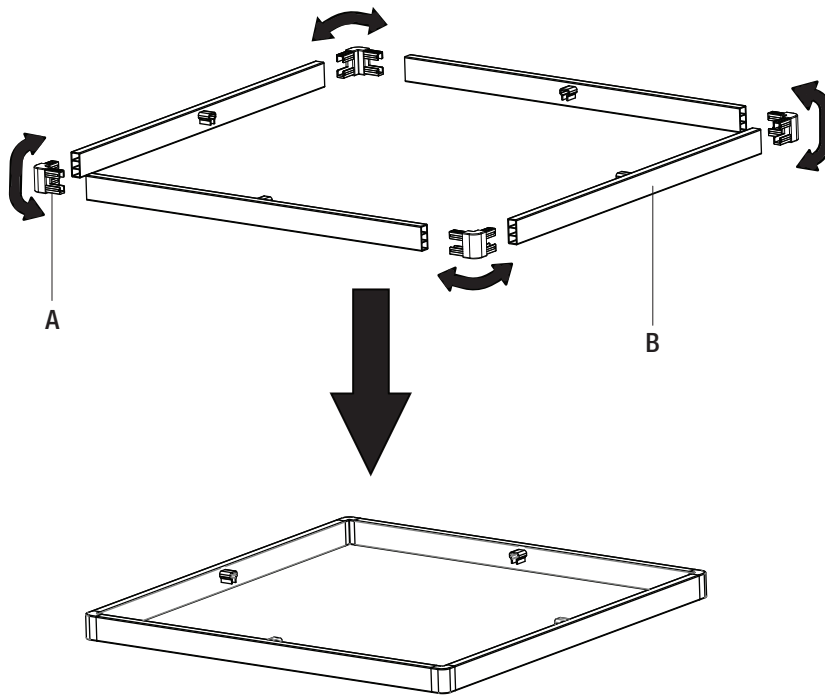


Part	Description	Quantity
A	Corner Connector	4
B	Side Tube	4
C	Lower Bracket	1
D	Upper Bracket	1
E	Locking Knob	1
F	Lower Umbrella Pole	1
G	Plastic Ring 1	1
H	Plastic Ring 2	1
I	Lining plastic part	1

Assembly

1 Insert The Corner Connectors Into The Side Tubes

- Insert the corner connectors (A) into the side tubes (B).

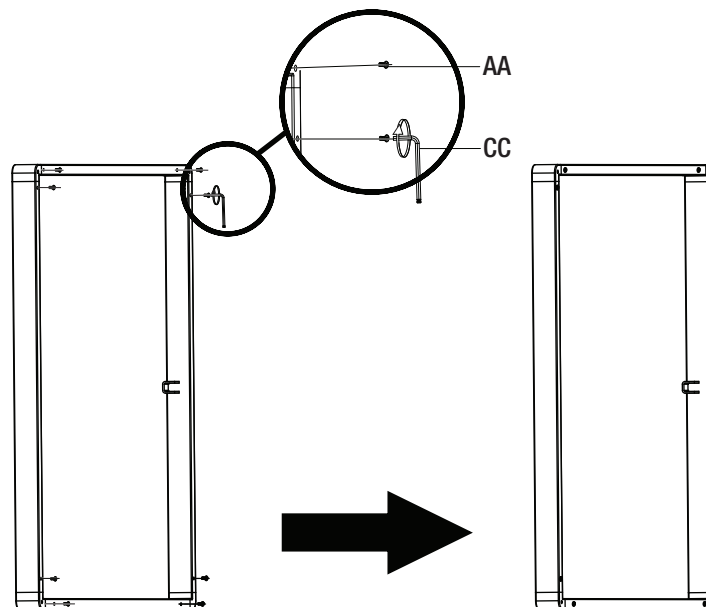


2 Insert The Bolts To Fix The Side Tubes

- Upside down the assembled side tubes.
- Insert the M6x18 bolts (AA) using the hex wrench (CC) to fix the side tubes (B).



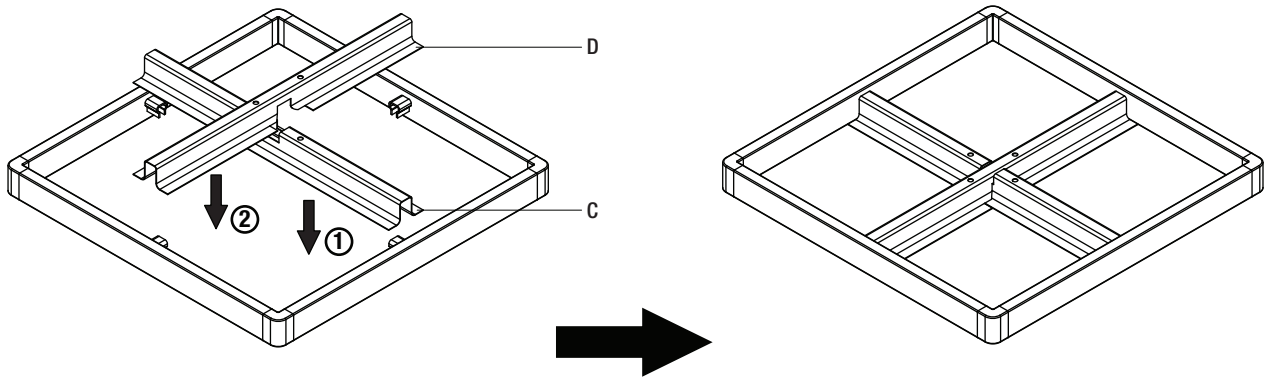
NOTE: Fully tighten all the bolts using the hex wrench (CC).



Assembly (continued)

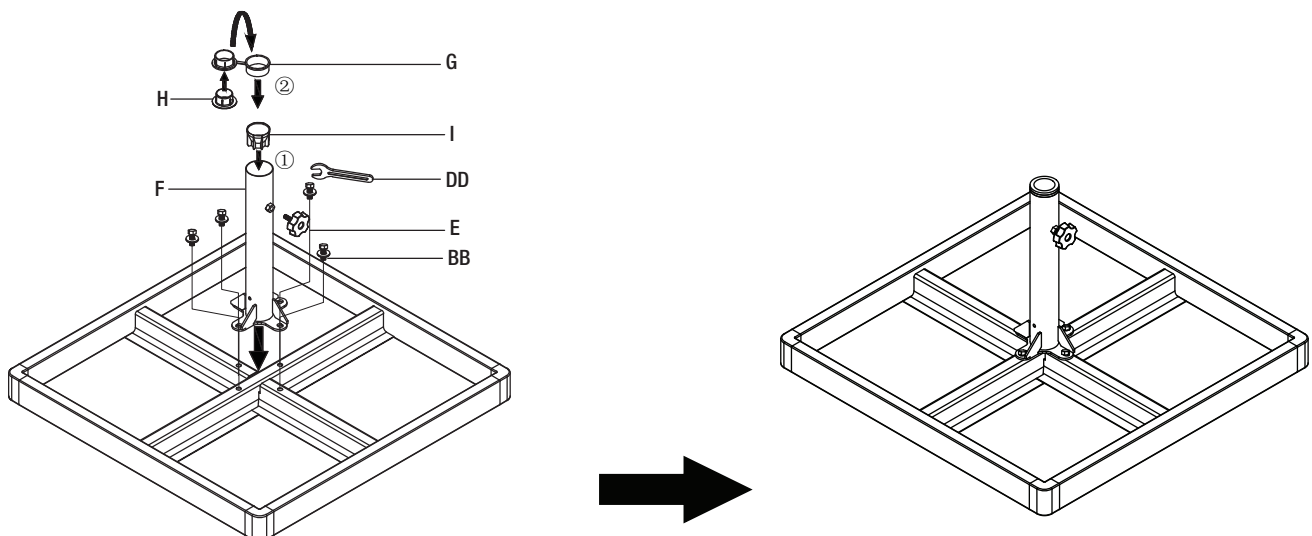
3 Attach The Brackets

- Attach the lower bracket (C) and upper bracket (D) to the assembled side tubes.



4 Attach The Lower Umbrella Pole To The Brackets, Attach The Lining Plastic Part, Plastic Ring 1, Plastic Ring 2 And The Locking Knob To The Lower Umbrella Pole

- Attach the lower umbrella pole (F) to the upper bracket (D) and lower bracket (C) using M8x20 combination bolts (BB), fully tighten all the bolts using the wrench (DD).
- Insert the lining plastic part (I) and the plastic ring 1 (G) into the lower umbrella pole (F).
- If using a 7.5ft umbrella, please insert the plastic ring 2 (H) into the lower umbrella pole (F).
- If using 9ft or larger umbrella, the plastic ring 2 (H) is not needed, store in case this is needed for the future.
- Attach the locking knob (E) to the lower umbrella pole (F).
- Ensure that all connections are secure before use.



Care and Cleaning

- For best results, clean the frame with a damp cloth and dry thoroughly. This will help prevent mildew by removing dirt particles that may accumulate.
- Do not clean with abrasive materials, bleach or solvents.
- Store the umbrella base in a dry sheltered place when not in use.
- Keep the umbrella base out of fire, extreme heat, freezing conditions, and inclement weather as rain, hail, sleet, snow, or wind.

HAMPTON BAY[®]

Questions, problems, missing parts? Before returning to the store,
call Hampton Bay Customer Service
8 a.m. – 7 p.m., EST, Monday – Friday, 9 a.m. – 6 p.m., EST, Saturday

1-855-HD-HAMPTON

HAMPTONBAY.COM

Retain this manual for future use.