

## DO NOT RETURN TO RETAILER

IF YOU HAVE ANY QUESTIONS OR CONCERNS  
PLEASE VISIT OUR WEBSITE AT:

**[www.yotrioint.com](http://www.yotrioint.com)**

OR TOLL FREE AT:

**1-866-905-4107**

MONDAY-FRIDAY 8:30 AM TO 5:00 PM PACIFIC TIME /  
11:30 AM TO 8:00 PM EASTERN TIME


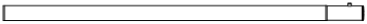

### Warranty Coverage Requirements:

1. Copy of your Original Store Receipt.
2. Pictures of the damaged parts.
3. You must know the name of your product and any corresponding item numbers as well as the name of the store where you purchased the item.
4. Please gather all of this information BEFORE you call customer service.

### **⚠️ WARNING**

For your own safety, and to reduce the risk of serious personal injury, the user must read and understand this Use and Care Guide, and assemble each piece only in accordance with these instructions in this and with the parts and hardware included with the original packaging. Failure to follow these instructions and/or use of tools or hardware not included in the original packaging may lead to improper assembly and/or risk of serious personal injury.

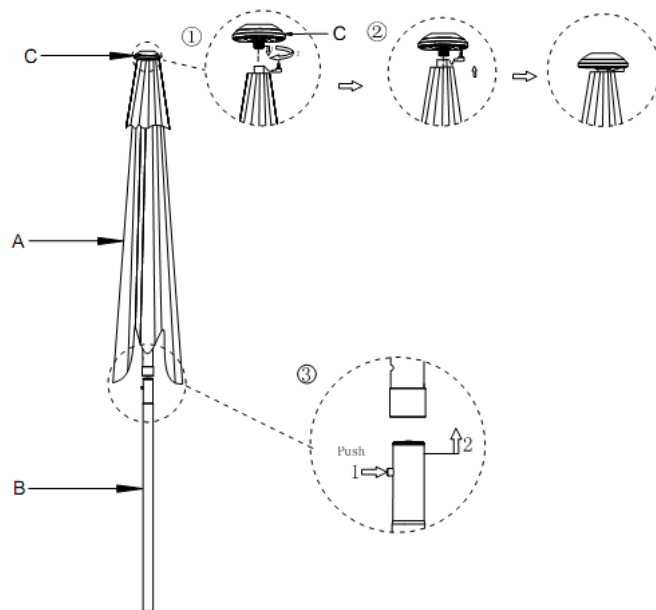
# PARTS LIST

PART	QTY	PICTURE	DESCRIPTION
A	1 PC		Umbrella shade
B	1 PC		Umbrella pole
C	1 PC		Solar receiver

# Assembly:

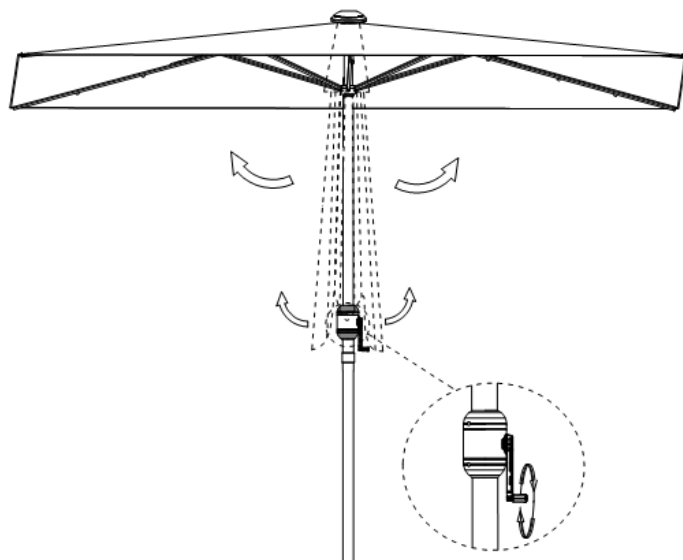
## STEP 1

- A. Place the umbrella shade (A) over the umbrella pole (B). Push the tab on the umbrella pole (B) while you slide the umbrella pole (B) into the umbrella shade (A) until the two pieces snap into place.
- B. Insert the solar receiver (C) onto the umbrella shade (A) as picture shows.



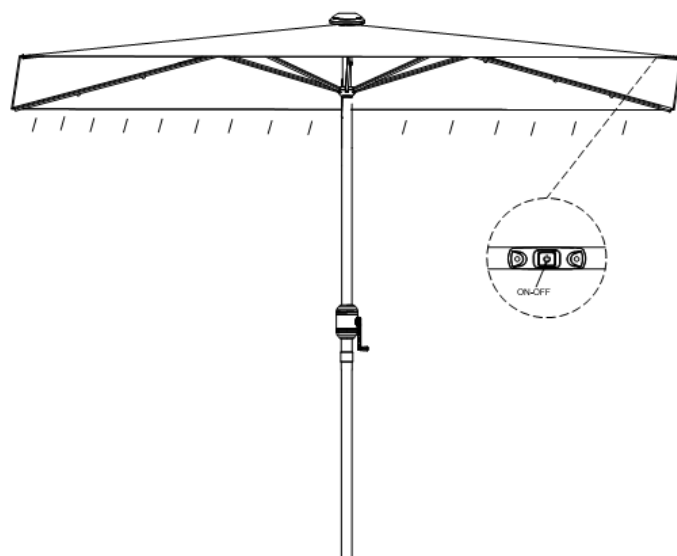
## STEP 2

- C. Shake the umbrella fabric before opening the umbrella.
- D. Slowly turn the crank clockwise to open the umbrella.



## STEP 3

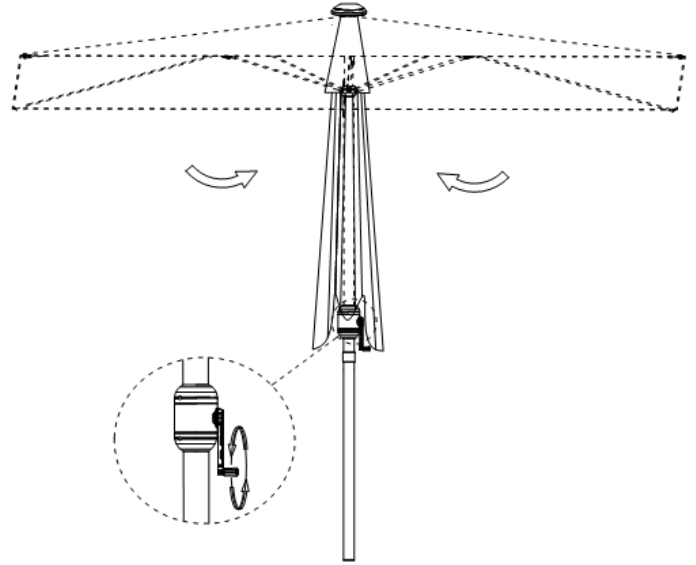
- E. Press the ON/OFF switch to turn the LED light on and off.



# Assembly:

STEP 4.

F. Slowly turn the crank in a counterclockwise direction to close the umbrella.



## CARE AND CLEANING

FRAME: WIPE CLEAN WITH A MILD SOAP AND WATER SOLUTION, RINSE WITH CLEAN WATER, AND DRY THOROUGHLY.

IN ORDER TO PROLONG THE LIFE OF YOUR UMBRELLA, PLEASE STORE IN DRY SHELTERED PLACE WHEN NOT IN USE OR DURING INCLEMENT WEATHER.

