

DO NOT RETURN TO RETAILER

IF YOU HAVE ANY QUESTIONS OR CONCERNS
PLEASE VISIT OUR WEBSITE AT:

www.yotrioint.com

OR TOLL FREE AT:

1-866-905-4107

MONDAY-FRIDAY 8:30 AM TO 5:00 PM PACIFIC TIME / 11:30 AM TO 8:00 PM
EASTERN TIME

Warranty

1 YEAR FRAME AND 1 YEAR FABRIC LIMITED WARRANTY

WHAT IS COVERED

We warrant the frames to be free of manufacturing defects to the original purchaser for one year, and a one year limited warranty for the fabric.

WHAT IS NOT COVERED

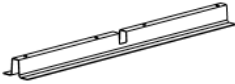


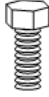

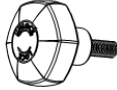
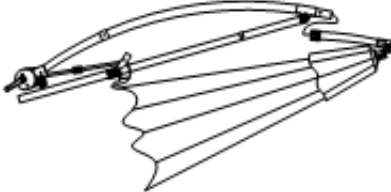

It remains the customer's responsibility for freight and packaging charges to and from our service center. This warranty does not cover commercial use, hardware, acts of nature, fire, freezing and abusive use. In addition, purchased parts are not covered under this warranty. We reserve the right to make substitutions with similar merchandise, if the model in question is no longer in production.

▲ WARNING

For your own safety, and to reduce the risk of serious personal injury, the user must read and understand this Use and Care Guide, and assemble each piece only in accordance with these instructions and with the parts and hardware included with the original packaging.

Failure to follow these instructions and/or use of tools or hardware not included in the original packaging may lead to improper assembly and/or risk of serious personal injury.

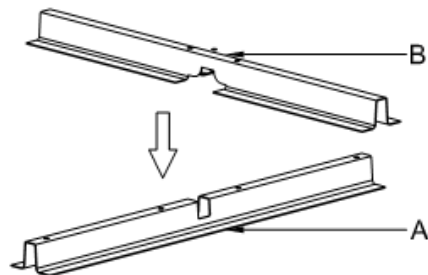
PARTS LIST

| PART | QTY | PICTURE | DESCRIPTION |
|------|------|--|---------------------|
| A | 1 PC |  | Lower bracket |
| B | 1 PC |  | Upper bracket |
| C | 1 PC |  | Lower umbrella pole |
| D | 4PCS |  | Bolt (M8*20) |
| E | 4PCS |  | Washer |
| F | 1 PC |  | Locking knob |
| G | 1 PC |  | Umbrella shade |
| H | 1 PC |  | Wrench |

Assembly:

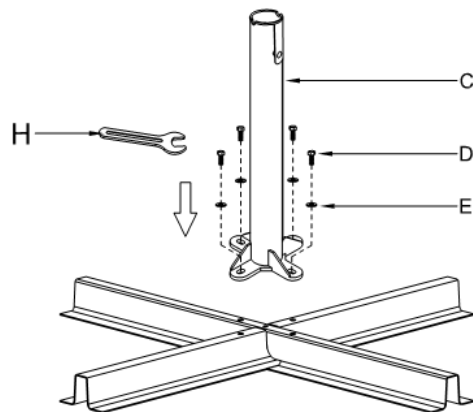
STEP 1

A. Attach the upper bracket (B) onto the lower bracket (A).



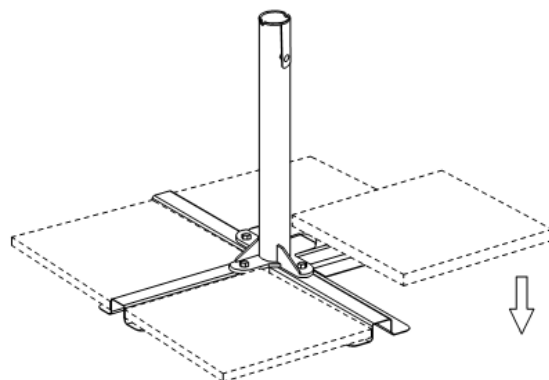
STEP 2

B. Attach the lower umbrella pole (C) to the upper bracket (B) and lower bracket (A) using Bolt M8x20 (D), Washer (E) and Wrench(H).



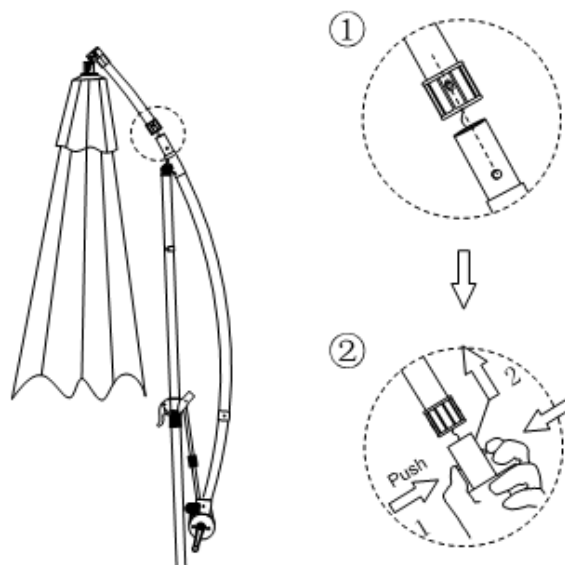
STEP 3

C. Place something heavy like marble or At Home Offset Umbrella Base to support the weight of whole umbrella.



STEP 4

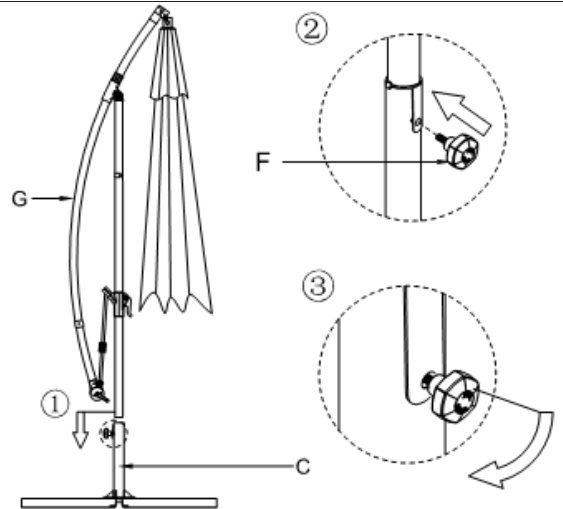
D. Push the long bent tube of the umbrella shade (G) outwards a little while holding down the tap on the short bent tube to make the hinge slide snap into place as shown below.



Assembly:

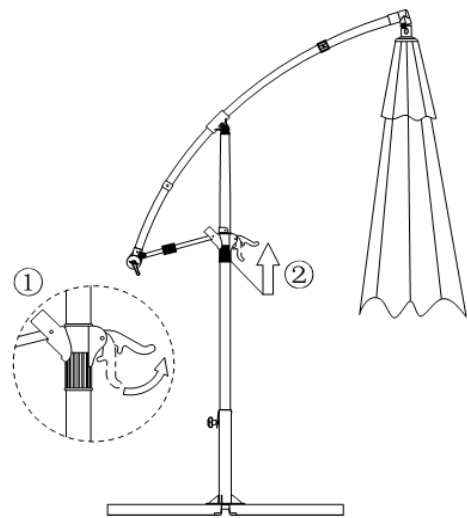
STEP 5

- E. Rotate the locking knob (F) 180 degrees clockwise and Insert the umbrella shade (G) into the lower umbrella pole (C) as shown in figure 1.
- F. Insert the locking knob (F) as shown in figure 2.
- G. Rotate the locking knob (F) 180 degrees clockwise as shown in figure 3.



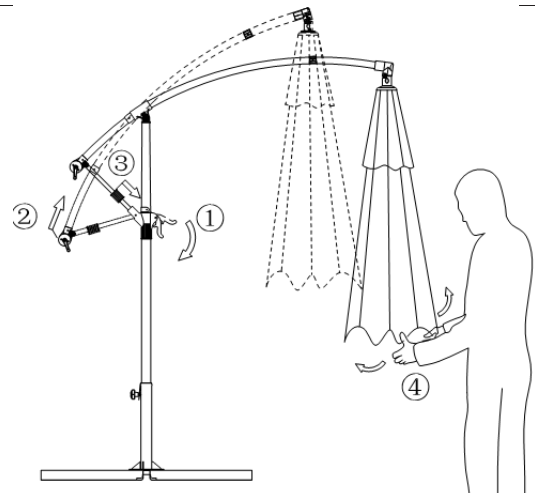
STEP 6

- H. Loosen the knob on the umbrella shade(G) as shown in figure 1 by turning it counterclockwise until it is fully loose.
- I. Hold the umbrella handle and push the long bent tube upward as shown in figure 2 until it stops and the umbrella is fully extended.



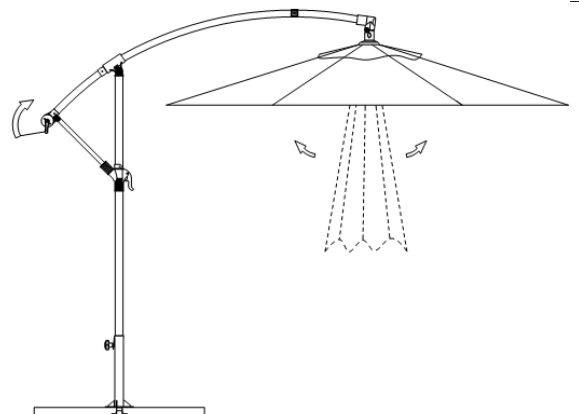
STEP 7

- J. Fully tighten the knob on the umbrella shade(G) clockwise as shown in figure 1 to lock the handle in place.
- K. Hold the umbrella handle and push the long bent tube upward as shown in figure 2 until it stops.
- L. Insert the fixed button into the short bent tube.



STEP 8

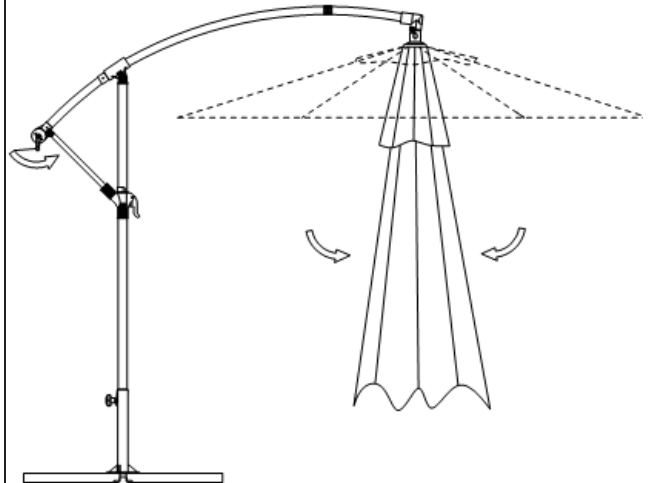
- M. Slowly turn the crank clockwise to open the umbrella.



Assembly:

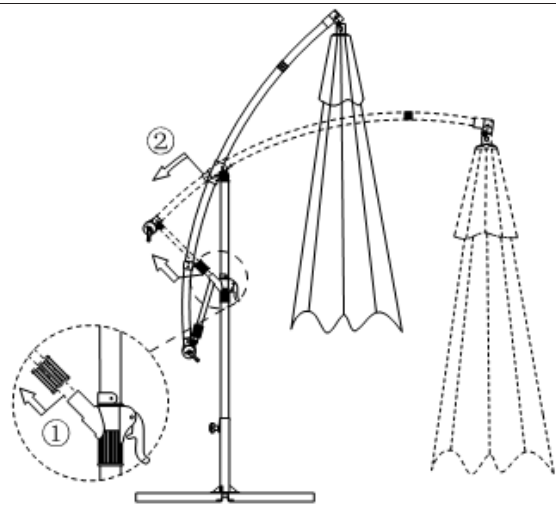
STEP 9.

N. Slowly turn the crank in a counterclockwise direction to close the umbrella.



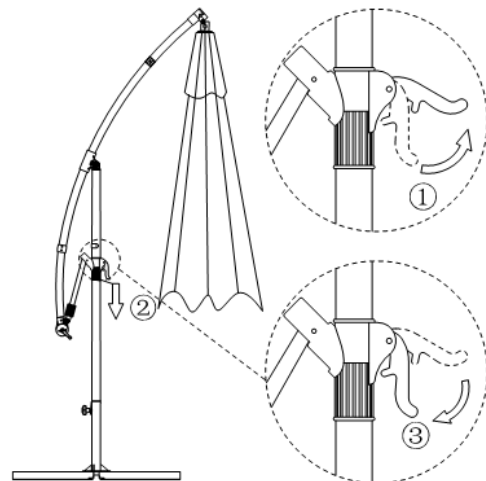
STEP 10.

O. Pull out the fixed button from the short bent tube.
P. Hold the umbrella handle and pull the long bent tube downward as shown in figure 2 until it stops.



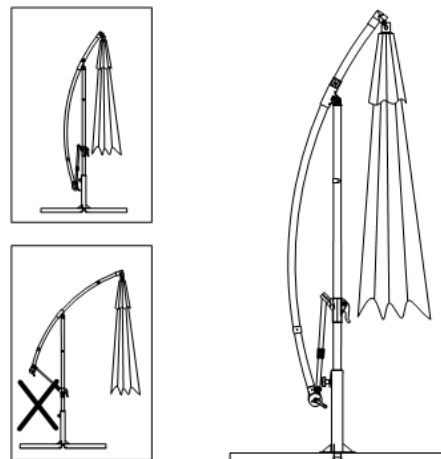
STEP 11.

Q. Pull the knob on the umbrella shade(G) clockwise as shown in figure 1 to lock the handle in place.
R. Hold the umbrella handle and pull the long bent tube downward as shown in figure 2 until it stops.
S. Fully tighten the knob on the umbrella shade clockwise as shown in figure 3 to lock the handle in place.



STEP 12.

T. Pull the long bent tube downward until it stops.
Always keep the umbrella closed when it is not in use.



CARE AND CLEANING

FRAME: WIPE CLEAN WITH A MILD SOAP AND WATER SOLUTION, RINSE WITH CLEAN WATER, AND DRY THOROUGHLY.

IN ORDER TO PROLONG THE LIFE OF YOUR UMBRELLA, PLEASE STORE IN DRY SHELTERED PLACE WHEN NOT IN USE OR DURING INCLEMENT WEATHER.

