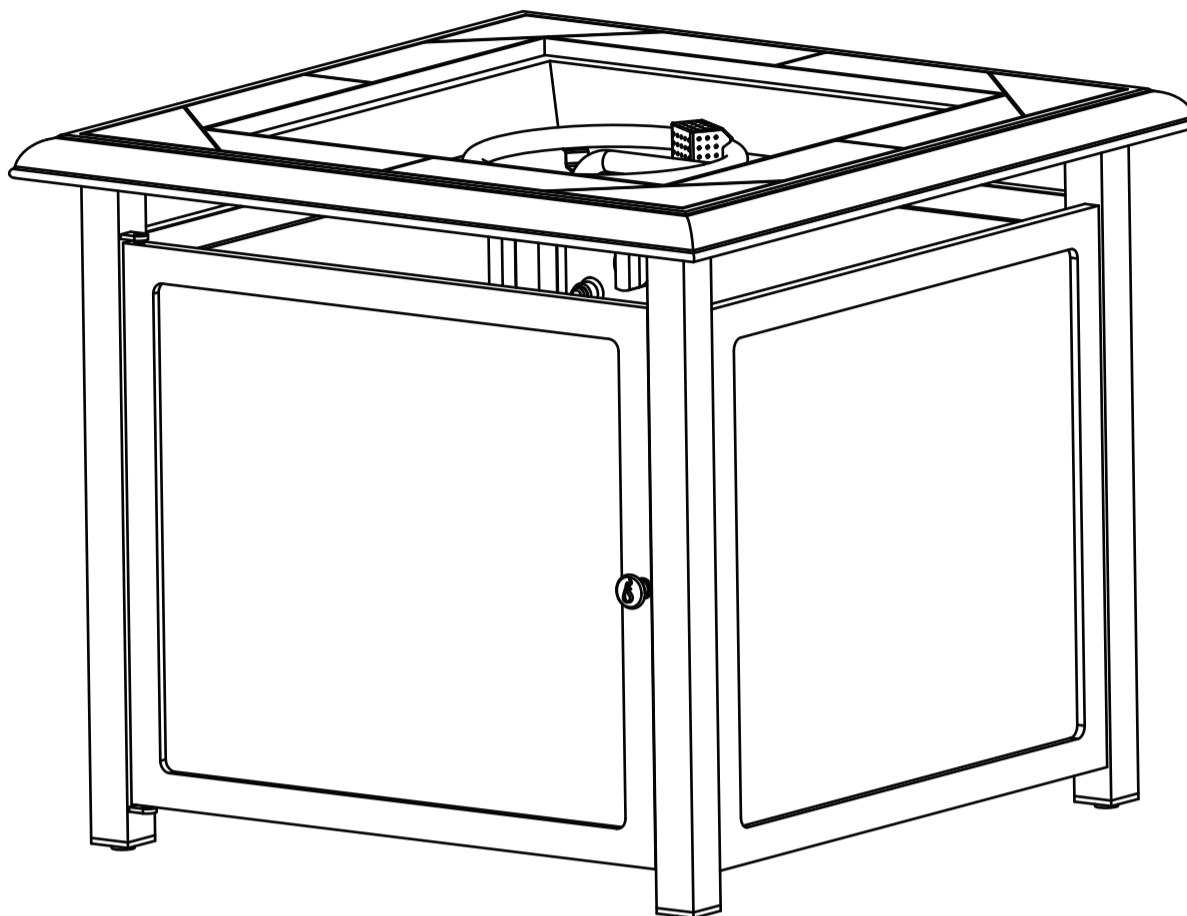


29.33-IN TILE TOP GAS FIRE TABLE

MODEL # FHTS80063E-3

Español p. 14



WARNING
FOR YOUR SAFETY:
For Outdoor Use Only (outside, non-enclosed area) Do Not Use For Cooking.
Installation and service must be performed by a qualified installer, service agency, or the gas supplier.

WARNING
FOR YOUR SAFETY:

- ▲ If the information in this manual is not followed exactly, a fire or explosion may result causing property damage, personal injury or loss of life.
- ▲ **WHAT TO DO IF YOU SMELL GAS:**
 - Do NOT try lighting any appliance.
 - Do NOT touch any electrical switch; do NOT use any phone in your building.
 - Immediately call your gas supplier from a neighbor's phone.
 - Follow the gas supplier's instructions.
 - If you cannot reach your gas supplier, call the fire department.
- ▲ Installation and service must be performed by a qualified installer, service agency or gas supplier.
- ▲ **INSTALLER:** Leave this manual with the appliance. **CONSUMER:** Retain this manual for future reference.
- ▲ If you are assembling this unit for someone else, give this manual to him or her to read and save for future reference.

WARNING
FOR YOUR SAFETY:

- ▲ Improper installation, adjustment, alteration, service or maintenance can cause injury or property damage.
- ▲ Read the installation, operation and maintenance instructions thoroughly before installing or servicing this equipment.

DANGER

If you smell gas:

1. Shut off gas to appliance.
2. Extinguish any open flame.
3. If odor continues, leave the area immediately.
4. After leaving the area, call your gas supplier or fire department.

Failure to follow these instructions could result in fire or explosion, which could cause property damage, personal injury, or death.

WARNING
FOR YOUR SAFETY:

1. Do NOT store or use gasoline or other flammable vapors or liquids in the vicinity of this or any other appliance.
2. An LP-cylinder not connected for use shall not be stored in the vicinity of this or any other appliance.

DANGER

Do NOT leave this appliance unattended while it is in operation.

DANGER

CARBON MONOXIDE HAZARD

- This appliance can produce carbon monoxide which has no odor.
- Using it in an enclosed space can kill you.
- Never use this appliance in an enclosed space such as a camper, tent, car or home.

Table of Contents

Package Contents	2
Important Safety Information	3
Propane (LP) Dangers And Warnings	5
Caution	6
Hose & Regulator Assembly and replacement	7
Assembly Instructions	8
Operating Instructions	10
Cleaning and Care	11
Troubleshooting	12
Warranty and Replacement Parts List	13

This appliance complies with "ANSI Z21.97-2017-/CSA2.41-2017, Outdoor Decorative Gas Appliances."
California Proposition 65: This product can expose you to carbon monoxide, which is a combustion by product known to the State of California to cause cancer birth defects or other reproductive harm. For more information go to www.P65Warnings.ca.gov.
California Proposition 65: Handling the brass material on this product can expose you to Lead, which is known to the State of California to cause cancer and birth defects or other reproductive harm. Wash hands after handling. For more information go to www.P65Warnings.ca.gov.
Gas Conversion Kits are also available in Lowe.com

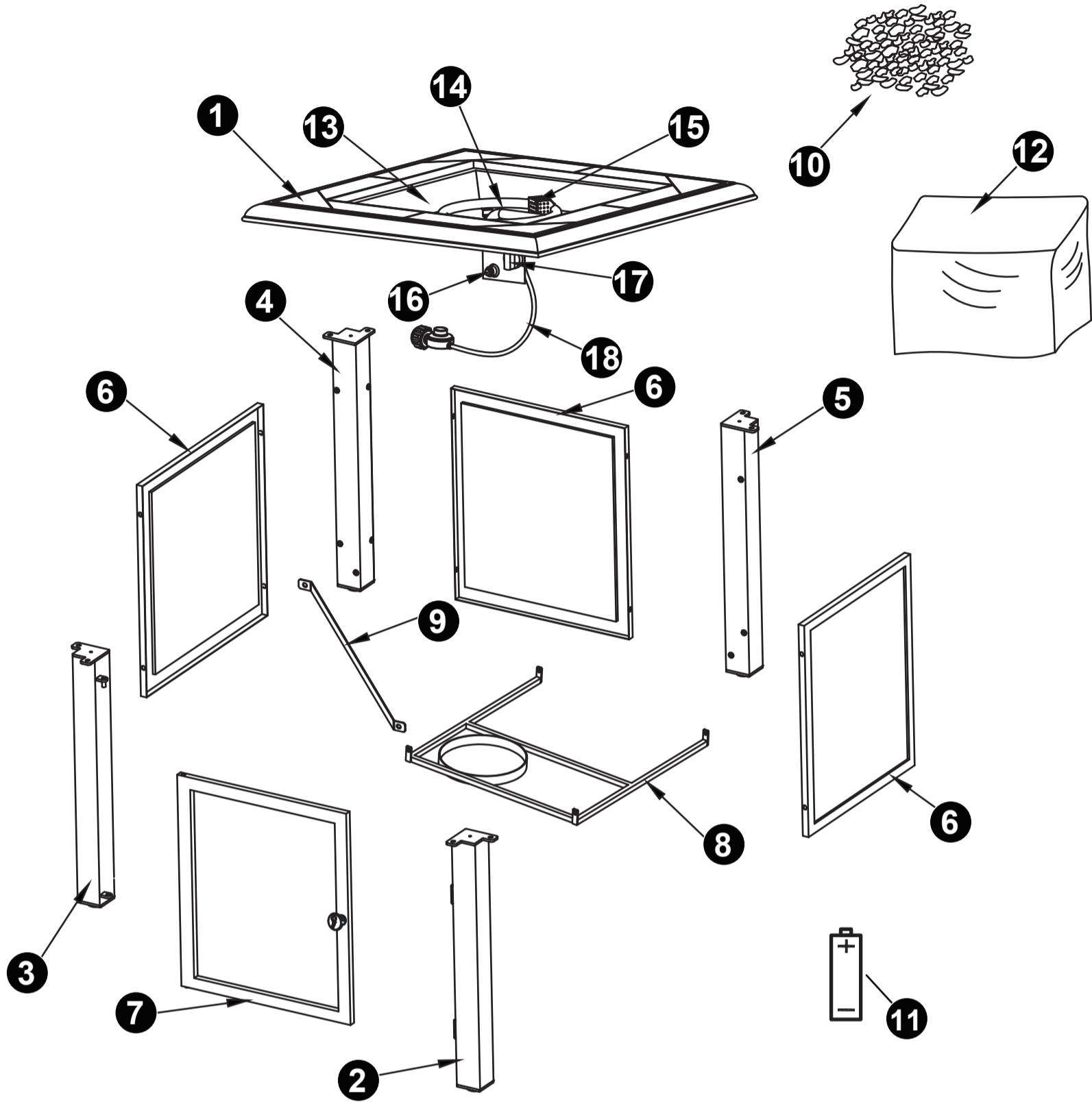


ATTACH YOUR RECEIPT HERE

Serial Number _____ Purchase Date _____

Questions, problems, missing parts? Before returning to your retailer, call our customer service department at 1-800-643-0067, 8 a.m. - 8 p.m., EST, Monday - Friday.

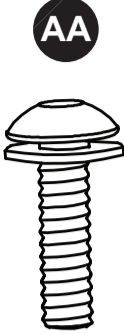
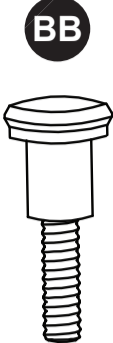

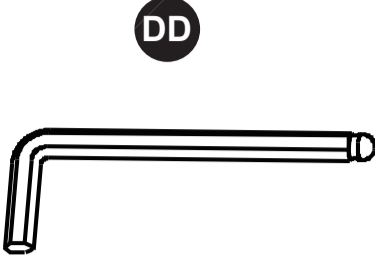
PACKAGE CONTENTS



PART	DESCRIPTION	QUANTITY
1	Table Top	1
2	Table Leg A	1
3	Table Leg B	1
4	Table Leg C	1
5	Table Leg D	1
6	Side Panel A	3
7	Side Panel B	1
8	Tank Base	1
9	Gas Barrier	1

PART	DESCRIPTION	QUANTITY
10	Lava Rocks	1
11	Battery	1
12	Polyester Cover	1
13	Bottom Bowl	1
14	Burner Ring	1
15	Pilot Housing	1
16	Manual Electric Igniter	1
17	Control Knob	1
18	Regulator/Hose Assembly	1

HARDWARE CONTENTS (not shown actual size)

			
M6 x 15 mm Bolt	Bolt	φ 17 Washer	Allen Wrench
Qty. 26	Qty. 1	Qty. 2	Qty. 1

IMPORTANT SAFETY INFORMATION



WARNING FIRE TABLE IS FOR OUTDOOR USE ONLY

Installation and repair should be done by a qualified service person. The appliance should be inspected before use and at least annually by a qualified service person. More frequent cleaning may be required as necessary. It is imperative that the control compartment, burners and circulating air passageways of the appliance are kept clean.

WARNING Failure to follow the dangers, warning and cautions in this manual may result in serious bodily injury or death, or in a fire or an explosion causing damage to property.

IMPORTANT NOTICE Read and understand all warnings and precautions prior to assembly and use of your gas fire table. Improper installation, adjustment, alteration, service or maintenance can cause injury or property damage.

Note The use and installation of this product must conform to local codes. In the absence of local codes, use the National Fuel Gas Code, ANSI Z223.1/NFPA54. Reference to Natural Gas and Propane Installation code CSA B149.1 or Propane Storage and Handling code B149.2.

Minimum Clearance from Unit to Combustible Materials

65 in (165.1cm) from the top; 48 in (121.9cm) from all sides and back. Do not locate this fire table under any overhead enclosure.

IF YOU SMELL GAS

- Shut off gas supply to the fire table.
- Extinguish any open flame.
- Do not try lighting any appliance.
- Do not touch any electrical switch; do not use any phone in your building.
- Immediately call your gas supplier from a neighbor's phone.
- Follow the gas supplier's instructions.
- If you cannot reach your gas supplier, call the fire department.

Children and adults should be alerted to the hazards of high surface temperatures and be kept at a safe distance while fire table is in use. This outdoor fire table is not to be operated by children.

Young children should be closely supervised when in the vicinity of this outdoor fire table.

Do not hang or place clothing or other flammable materials on or near the gas fire table.

Any guard or protective device removed for servicing the appliance shall be replaced prior to operating the appliance.

- Keep these instructions for future reference. If you are assembling this unit for someone else, give this manual to him or her to read and keep for future reference.
- This gas fire table must be used ONLY outdoors in a well-ventilated space and shall NOT be used inside a building, garage, or any other enclosed area.
- DO NOT use this outdoor gas fire table for indoor heating. TOXIC carbon monoxide fumes can accumulate and cause asphyxiation.
- NEVER LEAVE this gas fire table unattended when in use.
- This unit is to be used with propane gas & natural gas only (sold separately).
- Do not use a flame to check for gas leaks.

IMPORTANT SAFETY INFORMATION (Continued)

- Do not store or use gasoline or other flammable vapors and liquids within 25 feet (7.62m) of this or any other appliance.
- Do not store any combustible materials in the base enclosure.
- The use of alcohol, prescription or non-prescription drugs may impair an individual's ability to properly assemble or safely operate this outdoor fire table.
- DO NOT use in an explosive atmosphere. Keep gas fire table area a clear and free from combustible materials, gasoline and other flammable vapors and liquids.
- This outdoor fire table is not to be installed or used in or on recreational vehicles and/or boats.
- Always use in accordance with all applicable local, state and national codes. Contact your local fire department for details on outdoor burning.
- Use the same precautions you would with any open fire when using this outdoor fire table.
- DO NOT burn solid fuels such as: wood, charcoal briquettes, lump charcoal, manufactured logs, driftwood, trash, leaves, paper, cardboard, plywood, painted or stained or pressure treated wood in this outdoor fire table.
- DO NOT paint or color any part of this heating unit.
- DO NOT use this outdoor fire table until it is COMPLETELY assembled and all parts are securely fastened and tightened.
- DO NOT store another LP gas tank within 10 feet (3.05 m) of this outdoor fire table while it is in operation.
- DO NOT use this outdoor fire table near automobiles, trucks, vans or recreational vehicles.
- DO NOT use this outdoor fire table under any overhead structure or near any unprotected combustible constructions. Avoid using near or under overhanging trees and shrubs.
- Always use this outdoor fire table on a hard, level non-combustible surface such as concrete, rock or stone. An asphalt or blacktop surface may not be acceptable for this purpose.
- DO NOT use this outdoor fire table if any part has been under water. Immediately call a qualified service technician to inspect the fire table and to replace any part or control system and any gas control which has been under water.
- Always remove protective cover before operating (if applicable).
- DO NOT set the protective cover over the unit until it is turned off and completely cooled down.
- DO NOT use in windy conditions.
- Keep all electrical cords away from a hot outdoor fire table.
- Certain areas of this outdoor fire table when in use will become too hot to touch. Do not touch hot surfaces until the unit has cooled unless you are wearing protective gear such as insulated pot holders or heat resistant gloves or mittens to avoid burns.
- DO NOT attempt to move or store this outdoor fire table until all parts are cool.
- DO NOT lean over this outdoor fire table when lighting or when in use.
- Use only the regulator and hose assembly provided. The replacement regulator and hose assembly shall be that specified by the manufacturer.
- DO NOT attempt to disconnect the gas regulator from the tank or any gas fitting while the outdoor fire table is in use.
- Always shut off the supply at the tank valve and disconnect regulator from the tank when the fire table is not in use.
- DO NOT sit on the fire table when the unit is in operation.
- DO NOT throw anything onto the fire when the unit is in operation.
- Lava Rocks are very hot; please keep children or pets at a safe distance.
- It is essential to keep the outdoor fire table valve compartment, burners, and circulating air passages clean. Inspect outdoor fire table before each use.
- Check for leaks after not using the unit for long periods of time.
- Prior to each fire table operation, visually check the hose for evidence of excessive abrasion or wear. If the hose is damaged, cracked or cut, it must be replaced before using the gas fire table. The hose assembly can only be replaced with a hose assembly specified by the manufacturer. Please call Lowes at 1-800-643-0067.
- Before each use, remove the lava rocks. Examine the burner and its components. If dirty, clean with a soft brush and soapy water solution. Also examine the area around the burner. Any dirt or foreign material, such as spider webs or nests in this area should be removed. If it is evident that the burner is damaged, the fire table must not be used. The burner assembly can not be replaced. Please contact Lowes at 1-800-643-0067 for technical support.
- Place the hose out of the pathways where people may trip over it (if using external tank). Do not place the hose in areas where it may be subjected to accidental damage.

ATTENTION: Any alteration of the outdoor fire table that is not specifically directed in the operations manual will void manufacturer warranty.

PROPANE (LP) DANGERS AND WARNINGS

LP GAS

LP gas is flammable and hazardous if handled improperly. Become aware of the characteristics before using any LP gas product.

Propane Characteristics:

- Flammable, explosive under pressure, heavier than air and settles in pools in low areas.
- In its natural state, propane has no odor. For your safety, an odorant has been added.
- Contact with propane could burn your skin.
- Propane is extremely flammable and hazardous if handled improperly.


LP GAS WARNINGS:

- Cylinders must be stored outdoors in a well-ventilated area out of reach of children.
- Disconnected cylinders must have threaded valve plugs tightly installed and must not be stored in a building, garage or any other enclosed area.
- Never use a propane cylinder with a damaged body, valve, collar or footing.
- Dented or rusted propane cylinders may be hazardous and should be checked by your propane gas supplier.
- Be sure to use only one 20 lb (9.1 kg) LP gas cylinder with a Type 1 valve with this appliance as required by the American National Standards Institute (ANSI) and the Canadian Standards Steering Committee.
- Only tanks marked "propane" may be used.
- The LP gas supply tank must be constructed and marked in accordance with the Specifications for LP gas tanks of the U.S. Department of Transportation (DOT) or the National standard of Canada, CAN/CSA-B339, LP gas tanks, Spheres and Tubes for the Transportation of Dangerous Goods.
- LP gas tank must be arranged for vapor withdrawal.
- The LP gas tank must have a listed overfilling prevention device (OPD) and a QCCI or Type I (CGA810) LP gas tank connection.
- The LP gas tank must have a tank collar to protect the tank valve.
LP gas cylinder must contain a shut-off valve as specified in the standard for compressed gas cylinder valve outlet and inlet and inlet connection, ANSI/CGA-V-1-1977, CSA B96.
- Never use an LP gas tank with a damaged body, valve, collar, or footing. Dented or rusted LP gas tanks may be hazardous and should be checked by your LP gas supplier prior to use.
- The LP gas tank should not be dropped or handled roughly.
- Tanks must be stored outdoors out of the reach of children. Do NOT store in a building, garage, or any other enclosed area.
- Never store your LP gas tank where temperatures can reach over 125°F.
- Do not store the LP gas cylinder in direct sunlight or near a source of heat or combustion.
- Never keep a filled LP gas tank in a hot car or car trunk. Heat will cause the gas pressure to increase, which may open the relief valve and allow gas to escape.
- Place dust cap on valve outlet whenever the LP gas tank is not in use. Only install the type of dust cap on the LP gas tank valve outlet that is provided with the LP gas tank valve. Other types of caps or plugs may result in leakage of propane.
 - a. Do not store a spare LP gas cylinder under or near this appliance.
 - b. Never fill the LP gas cylinder beyond 80% full.
 - c. If the information in (a) and (b) is not followed exactly, a fire causing death or serious injury may occur.
- LP gas cylinders should be filled only by a certified LP gas dealer.
- The pressure regulator is set for 11 inches of water column (pressure).
- The maximum inlet propane gas pressure for this outdoor fire table is 250 psi.
- The minimum inlet propane gas pressure for this outdoor fire table is 25 psi.
- The maximum inlet natural gas pressure for this outdoor fire table is 10.5 inch w.c.
- The minimum inlet natural gas for this outdoor fire table is 3.5 inch w.c.
- Never attempt to attach this appliance to the self-contained LP gas system of a camper trailer, motor home or house.
- Always use the pressure regulator and hose assembly provided with the appliance to connect to a LP gas cylinder. Never connect to an unregulated LP gas supply. For technical support contact Lowes at 1-800-643-0067.
- Hand turn the manual gas control valve. Never use tools. If the valve will not turn by hand, do not try to repair it. Call a Certified Gas Technician. The use of force or any self attempted repair may result in a fire or explosion.

Connecting your gas cylinder:

Before connection, be sure that there is no debris caught in the head of the gas cylinder, head of the regulator valve or in the head of the burner and burner ports. Connect regulator valve and hand-tighten firmly. Disconnect the propane cylinder from the regulator valve when the fire table is not in use. DO NOT obstruct the flow of combustion air and ventilation air to the burner.

CAUTION

- ▲ **CAUTION:** After lighting - using a fireplace tool and heat-resistant gloves, carefully move the lava rocks back to their proper position, being careful to avoid the flame.
- ▲ **CAUTION:** If ignition does not occur in 5 seconds, turn control knob to “ OFF”, wait 5 minutes, fan with a newspaper or magazine and repeat lighting procedure.
- ▲ **CAUTION:**
 1. All cleaning and maintenance should be done when outdoor fireplace is cool and with the fuel supply disconnected.
 2. Do not clean any outdoor fireplace part in a self-cleaning oven, the extreme heat will damage the finish.
 3. Do not enlarge valve orifices or burner ports when cleaning the valves or burners.
- ▲ **CAUTION: NEVER place cover on hot outdoor fire table.**

PREPARATION

Before beginning assembly of product, make sure all parts are present. Compare parts with package contents list and hardware contents list. If any part is missing or damaged, do not attempt to assemble the product.

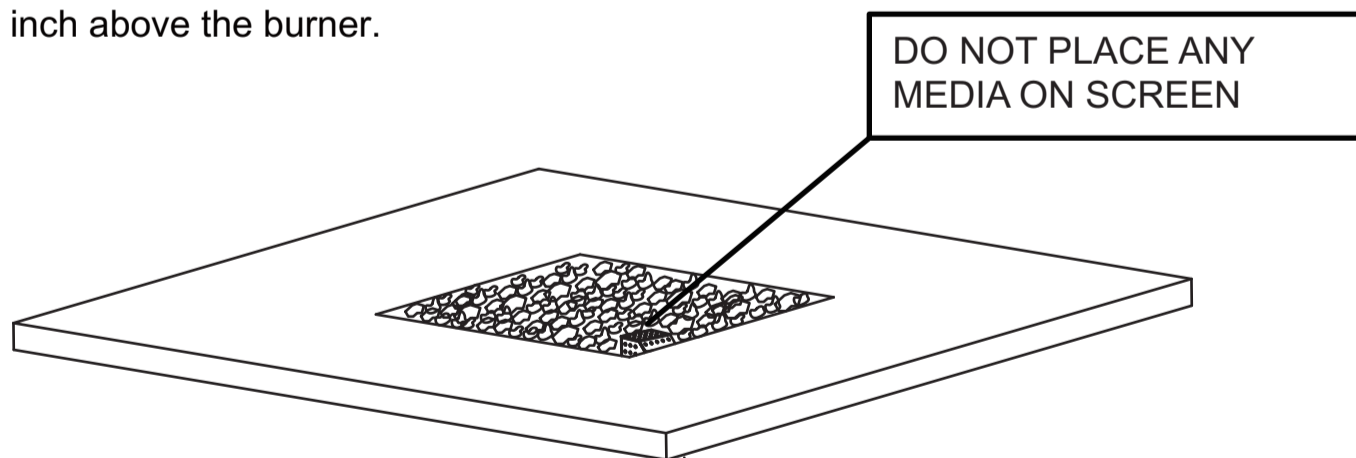
Estimated Assembly Time: 60 minutes

HOSE & REGULATOR ASSEMBLY AND REPLACEMENT

1. This fire table comes equipped with a standard LP gas hose and regulator including the appliance side connection for a CGA No 791 Cylinder Connection Device. The LP gas hose and regulator supplied with this fire table must be used. Only a hose and regulator specified by manufacturer can be used for replacement.
 - a. The CGA No 791 connection incorporates a magnetic flow limiting device that acts to limit the flow of gas if a leak is detected between the regulator and the burner valve.
 - b. If the burner valve is open prior to the LP gas cylinder service valve being opened, the connection will interpret this free flow of gas to be a leak.
 - c. The connection safety feature will reduce gas flow from the regulator to the appliance to a minimal level.
 - d. Be sure that the burner control valve is closed prior to opening the LP gas cylinder service valve to ensure that the connection flow limiting device is not triggered mistakenly.
 - e. If the connection flow limiting device is triggered mistakenly, close the LP gas cylinder service valve and the burner valve, wait 10 seconds to allow the device to reset, open the cylinder service valve, then open the burner valve and light the fireplace as per lighting instructions.
2. Be sure to protect the hose from any hot surfaces. Serious danger may result if the hose contacts any hot surface.
3. Regular maintenance of the hose and regulator:
 - a. Inspect the hose before each use of the fire table. If the hose shows signs of cracks, abrasions, cuts or damage of any kind, do not operate the appliance. Fix or replace the hose as required before using the appliance. For assistance with repair or replacement of the hose, call Lowe's at 1-800-643-0067. Use only replacement parts from the manufacturer.
 - b. Inspect the seal inside the CGA No 791 service valve on the LP gas cylinder when replacing the cylinder or at least once per year. If there is any indication of damage, have the seal replaced by a certified gas dealer before operating the appliance.
4. Do not use tools to tighten the CGA No 791 connection nut onto the LP gas cylinder service valve. Hand tighten only.
5. Be careful to not cross the threads on the connection when tightening the CGA No 791 connection on to the LP gas cylinder service valve.
6. "Leak Test" should always be performed after attaching the connection to the LP gas cylinder service valve. (See "Checking for Leaks" section of this manual on page 10).
7. For the connection of the hose and regulator to the LP tank, refer to the "Connection" section of the LP gas cylinder section above.

Lava Rock Warning:

1. Lava rocks may have sharp edges. Wear safety glasses and gloves when handling.
2. Do not change or substitute the lava rocks provided with this fire pit. If replacing, use only replacement lava media available from your local authorized dealer/distributor.
3. Pour the lava media evenly into the burner area (with the exception of the screen-if applicable). The lava should be 1/2-1 inch above the burner.



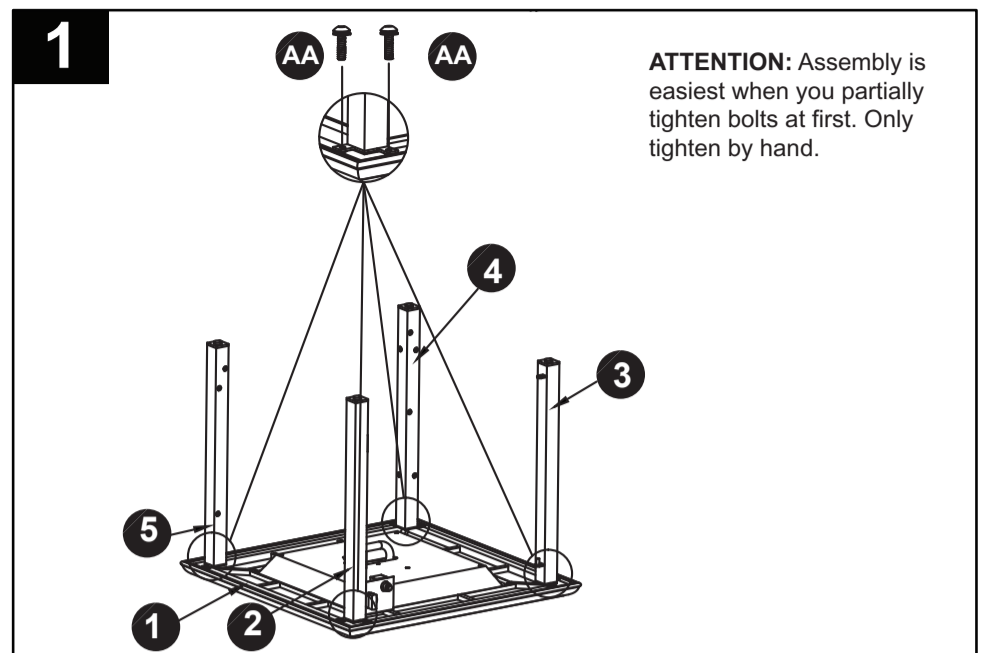
4. **IMPORTANT:** Do not exceed a height of 1 inch above the burner when placing lavas media. Ensure no media covers the igniter screen. Store any excess media in a safe location.
5. Keep away from the unit for the first 20 minutes after igniting your unit for the first time, as lava rocks/pumice stones /glass shards/glass beads could pop out and cause injury. Should any rocks pop out, discard them.
6. Always ensure that lava rocks/pumice stones/glass shards/glass beads are completely dry before use. Failure to do so will cause them to crack or pop.

ASSEMBLY INSTRUCTIONS

- Carefully place the top (1) upside down on a soft surface. Failure to do so could result in damage or scratches to the tabletop. Attach the table leg A(2), table leg B(3), table leg C(4), table leg D(5) to the top (1). Use bolts (AA).

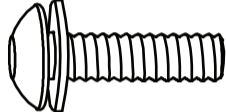
Hardware Used

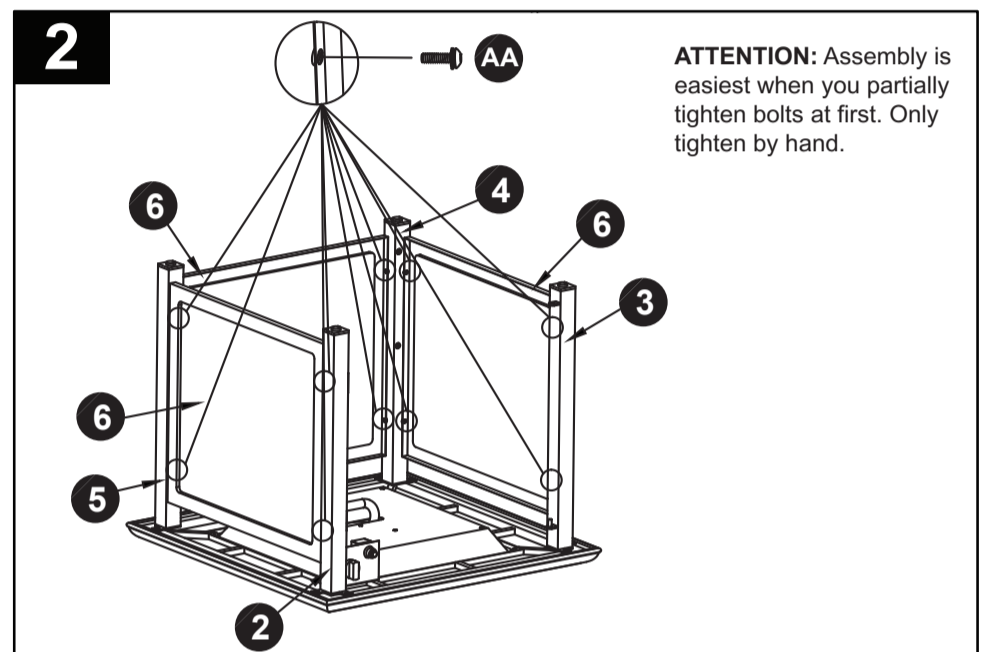
AA M6 x 15 mm Bolt  x 8



- Attach the three side panels A(6) to the table leg A(2), table leg B(3), table leg C(4), table leg D(5). Use bolts (AA).

Hardware Used

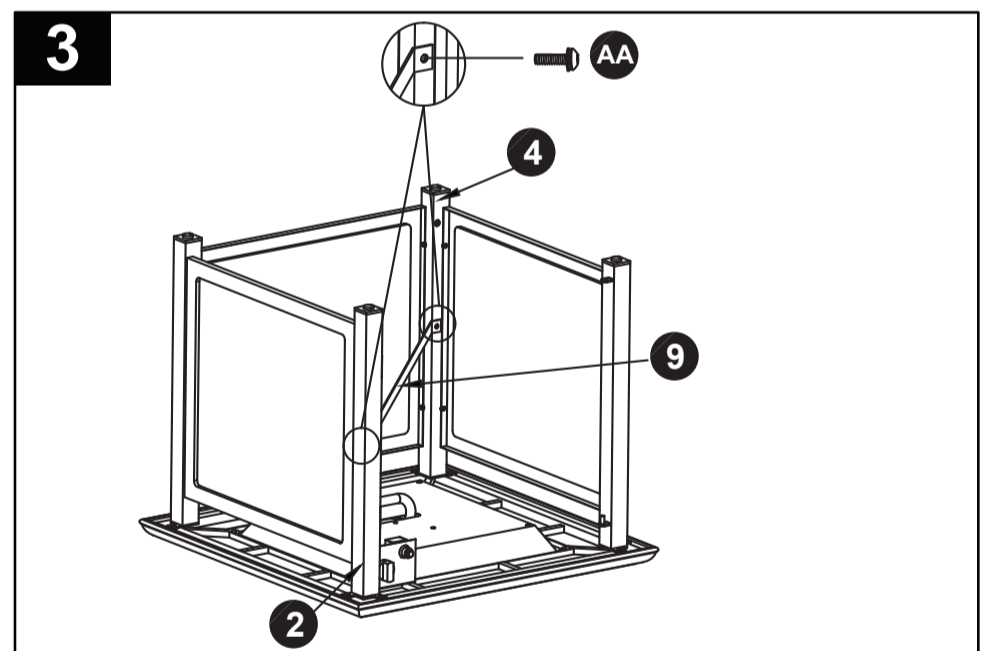
AA M6 x 15 mm Bolt  x 12



- Attach the gas barrier (9) to the table leg A(2) and table leg C(4). Use bolts (AA).

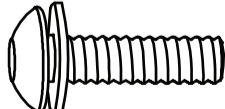
Hardware Used

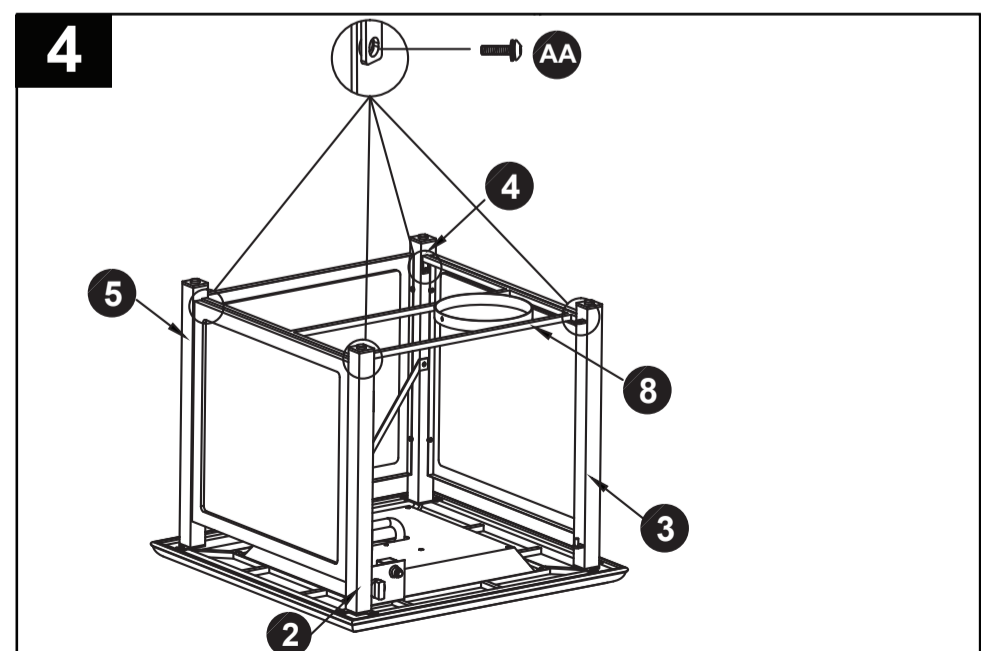
AA M6 x 15 mm Bolt  x 2



- Attach the tank base (8) to the table leg A(2), table leg B(3), table leg C(4), and table leg D(5). Use bolts (AA).

Hardware Used

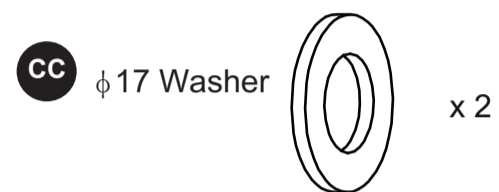
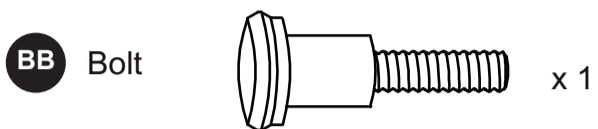
AA M6 x 15 mm Bolt  x 4



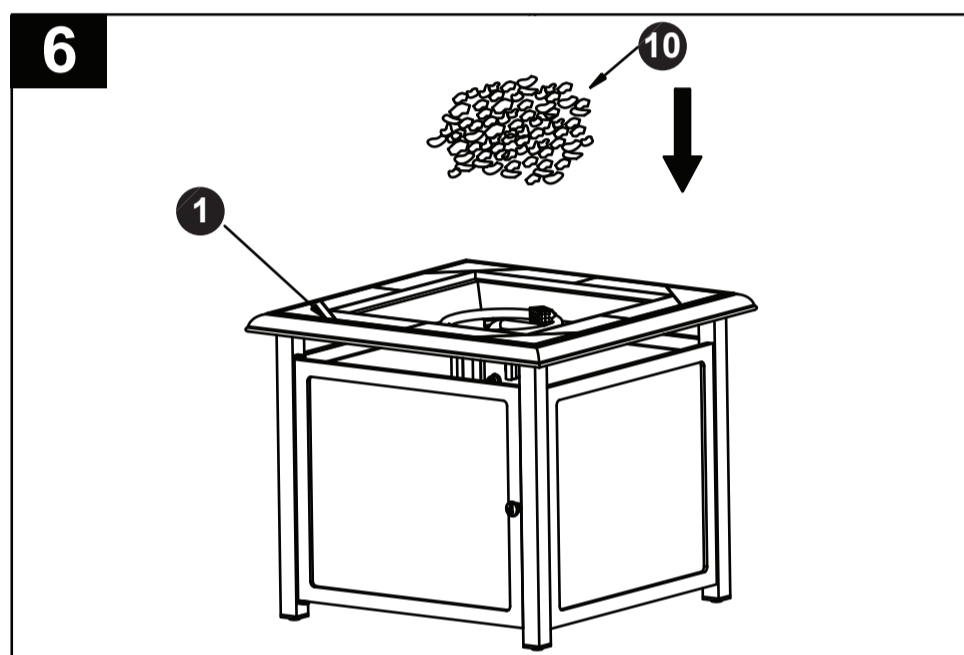
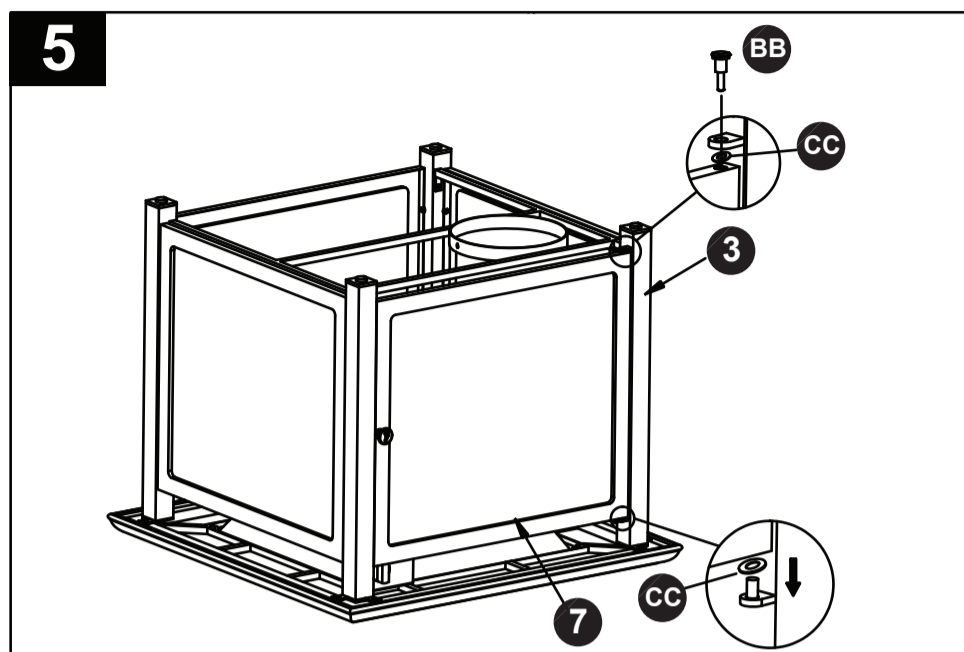
ASSEMBLY INSTRUCTIONS

5. Attach the side panel B(7) to the table leg B(3).
Use bolt (BB) and washers (CC).

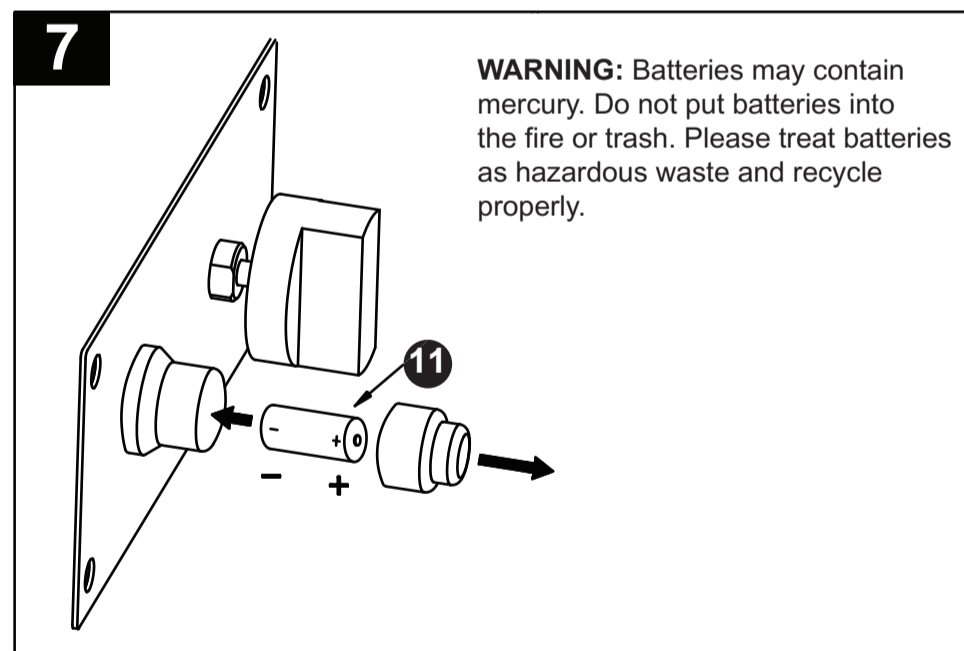
Hardware Used



6. Place lava rocks (10) in the burner bowl.



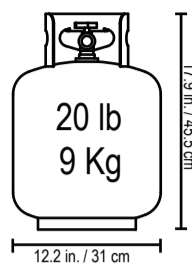
7. Insert the included battery (11) and knob into the electric igniter and twist the button cover on to igniter housing. Do not overtighten.



Installing LP Gas Tank

To operate, you will need one precision-filled standard grill LP gas tank with external valve threads.

CAUTION: LP gas tank must be properly disconnected and removed prior to moving this outdoor fireplace.

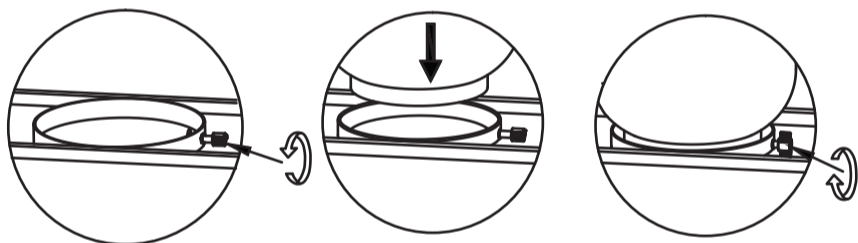
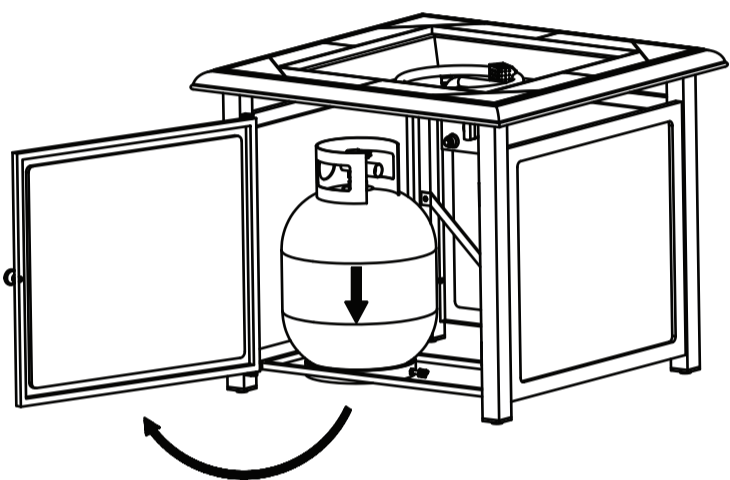


Inserting LP Gas Tank

WARNING: Make sure LP gas tank valve is closed.

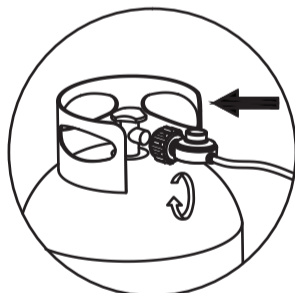
1. Loosen LP gas tank retainer bolt by turning counter-clockwise.
2. Place precision-filled LP gas tank upright into hole in outdoor fireplace base so the tank valve is facing the gas line connection.
3. Secure tank by turning LP gas tank retainer bolt clockwise until tight.

Step 1



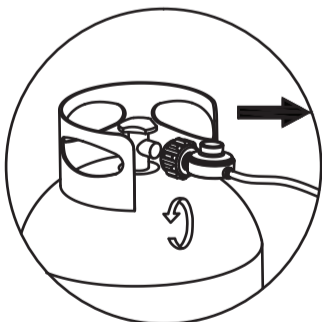
Connecting LP Gas Tank

1. Before connecting be sure there is no debris caught in the head of the LP gas tank head of the regulator valve or in the head of the burner or burner ports.
2. Connect regulator/hose assembly to tank by turning knob clockwise until it stops.



Disconnecting LP Gas Tank

1. Before disconnecting make sure the LP gas tank valve is "CLOSED".
2. Disconnect regulator/hose assembly from LP gas tank by turning knob counterclockwise until it is loose.



CAUTION: LP gas tank must be properly disconnected and removed prior to moving this fire table.

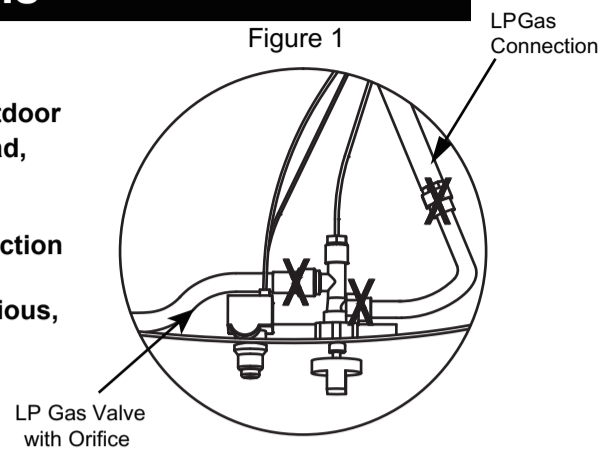
3. Place the protective cap cover on the LP tank and store the tank outdoors in a well ventilated area out of direct sunlight.

Operating Instructions

Checking for Leaks

WARNING: Before using this outdoor fireplace, make sure you have read, understand and are following all information provided in the "Important Safety Information" section on page 2. Failure to follow those instructions can cause death, serious, injury or property damage.

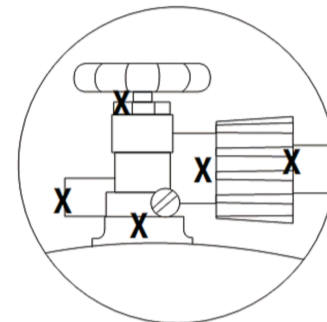
Figure 1



Burner Connections

1. Make sure the regulator hose and valve connections are securely fastened to the burner and the tank.
2. Visually check the connection between the burner/venturi tube and orifice.
3. Make sure the burner/venturi tube fits over the orifice.

Figure 2



WARNING: Failure to inspect this connection or follow these instructions could cause a fire or an explosion which can cause death, serious bodily injury or damage to property.

4. Please refer to diagram for proper installation (Figures 1 and 2).
5. If the burner/venturi tube does not rest flush to the orifice, as shown, please contact 1-800-643-0067 for assistance.

Tank/Gas Line Connection

1. Make 2-3 oz. of leak detection solution by mixing one part liquid dishwashing soap with three parts water.
2. Make sure control knobs are in the "OFF" position (Figure 3).
3. Connect LP gas tank per "Installing LP Gas Tank"
4. Turn off the igniter cover and put the battery (11) inside according to the electrode (Figure 4).
5. Close the firepit door panel (Figure 5).
6. Turn LP gas tank valve to "OPEN".
7. Spoon several drops of solution or use a squirt bottle, at all "X" locations (Figures 1 and 2).
 - a. If any bubbles appear, turn LP gas tank valve to "CLOSED", reconnect and re-test.
 - b. If you continue to see bubbles after several attempts turn LP gas tank valve to "CLOSED" and disconnect LP gas tank, per "Disconnecting LP Gas Tank". Contact 1-800-643-0067 for assistance.
 - c. If no bubbles appear after one minute, turn LP gas tank valve to "CLOSED", wipe away solution proceed.

Figure 3

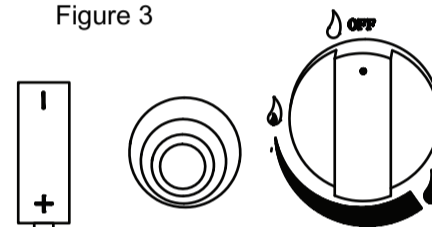


Figure 4

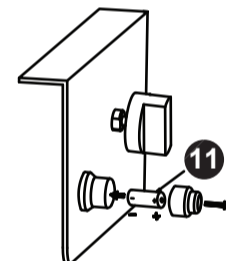
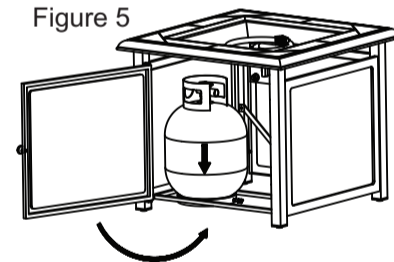


Figure 5



Lighting

WARNING: NEVER light the burner with the cover on the outdoor fireplace.

CAUTION: Keep outdoor gas appliance area clear and free from combustible materials, gasoline and other flammable vapors and liquids.

CAUTION: Do NOT obstruct the flow of combustion and ventilation air.

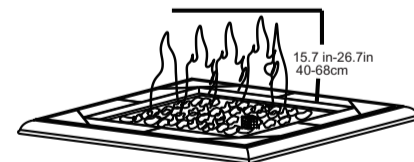
CAUTION: Check and clean burner/venturi tubes for insects and insect nests. A clogged tube can lead to a fire.

1. Make sure all labels, packaging and protective films have been removed from the outdoor fireplace.
2. Check for obstructions of airflow to the burner. Spiders, insects and webs can clog the burner/venturi tube. A clogged burner tube can lead to a fire.
3. Control knob must be in the "OFF" position (Figure 3).
4. Clear small area of glass rocks away from the igniter cover (Figure 6).
5. Connect LP gas tank per "Installing LP Gas Tank" section.
6. Turn LP gas tank valve to "OPEN".
7. Push and hold the electronic igniter to create sparks within the electrode, continue to hold.
8. Push in the control knob and turn to the "ON" position, Keep holding down the control knob to allow gas to flow for 20 seconds.
9. After 20 seconds, release and turn control knob counterclockwise to adjust flame to desired height.
10. If ignition does not occur in 20 seconds turn burner control knob to "OFF" wait 5 minutes, fan with a newspaper or magazine, and repeat lighting procedure.
11. Remove cover and lid from outdoor fireplace before lighting.

Figure 6



Figure 7



OPERATING INSTRUCTIONS (CONTINUED)

12. If igniter does not light burner:

- a. Wearing heat-resistant gloves, position a long lit match or long lit butane lighter near the pilot housing.
- b. Push and turn control knob to "ON 🔥"
- c. Remove match/lighter once burner is lit.

13. After lighting, observe the burner flame make sure all burner ports are lit and flame height matches illustration (Figure 7)

Turning Off

1. Turn LP gas tank valve to "CLOSED".
2. Turn control knob to the "🔥 OFF" position. Note: A "poof" sound is normal as the last of the LP gas is burned.
3. Disconnect LP gas tank per "Disconnecting LP Gas Tank" section.

CLEANING AND CARE

⚠ CAUTION:

1. All cleaning and maintenance should be done when outdoor fireplace is cool and with the fuel supply disconnected.
2. Do not clean any outdoor fireplace part in a self-cleaning oven, the extreme heat will damage the finish.
3. Do not enlarge valve orifices or burner ports when cleaning the valves or burners.

Notices

1. This outdoor fire table should be thoroughly cleaned and inspected on a regular basis.
2. Abrasive cleaners will damage this product.
3. NEVER use oven cleaner to clean any part of this outdoor fire table.

Before Each Use:

1. Keep the outdoor fire table area clear and free from any combustible materials, gasoline and other flammable vapors and liquids.
2. Do not obstruct the flow of the combustion of LP gas and the ventilation of air.
3. Keep the ventilation opening(s) of the LP gas tank area free and clear from debris.
4. Visually check the burner flames to make sure your outdoor fire table is working properly (Figure 7).
5. See below for proper cleaning instructions.
6. Check all gas connections for leaks.
7. Check components for any signs of damage or rust.
8. Check for obstructions of airflow to the burner. Spiders, insects and webs can clog the burner/venturi tube. A clogged burner/venturi tube can lead to a fire.
9. If damage to any component is detected, do NOT operate until repairs are completed.

Cleaning Surfaces

1. Wipe surfaces clean with mild dishwashing detergent or baking soda mixed with water.
2. For stubborn stains, use a citrus-based cleaner and a nylon scrubbing brush.
3. Rinse clean with water.
4. Allow to air dry.

Before Storing

1. Turn LP gas tank valve to "CLOSED".
2. Turn control knob to the "🔥 OFF" position. Note: A "poof" sound is normal as the last of the gas is burned.
3. Disconnect LP gas tank per "Disconnecting LP Gas Tank" section.
4. Clean all surfaces.
5. Lightly coat the burner with cooking oil to prevent excess rusting.
6. If storing the outdoor fire table indoors, cover and store in a cool dry location away from children and pets.
7. If storing the outdoor fire table outdoors, cover with the included cover for protection from the weather.

CARE AND MAINTENANCE

Cleaning your fire table top on a consistent and regular basis will help aid in a longer lasting top.

Cover your fire table with the included cover when not in use to protect it from the elements.

We recommend that your fire table be stored indoors during the winter months.

If it must be stored outside, it should ALWAYS be covered.

TROUBLESHOOTING

Troubleshooting

Problem	Possible Cause	Prevention/Cure
Burner will not light using igniter	LP gas tank valve is closed	Make sure regulator is securely attached to the LP gas tank per "Installing LP Gas Tank," then turn LP gas tank valve to "OPEN"
	LP gas tank is low or empty	Exchange, refill or replace LP gas tank
	LP gas leak	1. Turn LP gas tank valve to "CLOSED" 2. Wait 5 minutes for gas to clear 3. Follow "Checking for Leaks" section
	Battery needs to be changed	Replace the "AAA" battery (follow assembly step for inserting battery)
	Electrode and burners are wet	Wipe dry with cloth
	Electrode cracked or broken - sparks at crack	Replacement part(s) may be needed - contact Customer Care at 1-800-643-0067.
	Wire loose or disconnected	Reconnect wire or replacement part(s) may be needed - contact Customer Care at 1-800-643-0067.
	Wire is shorting (sparking) between igniter and electrode Bad igniter	Replacement part(s) may be needed - contact Customer Care at 1-800-643-0067
Burner will not light with match	No gas flow	Check if LP gas tank is empty a. If empty, exchange, refill or replace LP gas tank b. If LP gas tank is not empty, refer to "Sudden drop in gas flow or reduced flame height" (see below)
	LP gas tank is low or empty	Exchange, refill or replace LP gas tank
	LP gas leak	1. Turn LP gas tank valve to "CLOSED" 2. Wait 5 minutes for gas to clear 3. Follow "Checking for Leaks" section
	Coupling nut and regulator not fully connected	Turn the coupling nut about one-half to three-quarters additional turn until solid stop. Tighten by hand only - do NOT use tools
	Obstruction of gas flow	1. Clear burner/venturi tube 2. Check for bent or kinked hose
	Disengagement of burner to valve	Re-engage burner and valve
	Spider webs or insect nest in burner/venturi tube	Clean burner/venturi tube
	Burner ports clogged or blocked	Clean burner ports
Sudden drop in gas flow or reduced flame height	Out of gas	Exchange, refill or replace LP gas tank
	Overfilling prevention device may have been activated	1. Turn control knob to "OFF" 2. Wait 30 seconds and light outdoor fireplace per "Lighting" section 3. If flames are still too low, reset the overfilling prevention device: a. Turn control knob(s) "OFF" b. Turn LP gas tank valve to "CLOSED" c. Disconnect regulator d. Turn control knobs to "ON" e. Wait one minute f. Turn control knobs to "OFF" g. Reconnect regulator and leak check connections, being careful not to fully open valve h. Light outdoor fireplace per "Lighting" section
Irregular flame pattern flame does not run the full length of burner	Burner ports are clogged or blocked	Clean burner ports
Flame is yellow or orange	New burner may have residual manufacturing oils	Burn outdoor fireplace for 15 minutes and re-inspect
	Spider webs or insect nest in burner/venturi tube	Clean burner/venturi tube
	Poor alignment of valve to burner/venturi tube	Ensure burner/venturi tube is properly engaged with valve
Flame goes out	High or gusting winds	Do not use outdoor fireplace in high winds
	Low on LP gas	Exchange, refill or replace LP gas tank
	Excess flow valve tripped	Refer to "Sudden drop in gas flow or reduced flame height"
Flashback (fire in venturi/burner tube(s))	Burner and/or burner/venturi tube is blocked	Clean burner and/or burner/venturi tube
Flame seems to lose heat when burning in cold weather - temperature below 50°F	Ice has built up on the outside of the LP gas tank because the vaporization process is too slow.	1. Turn off per "Turning Off" section 2. Replace with a spare LP gas tank 3. Reconnect LP gas tank per "Installing LP Gas Tank" section 4. Follow "Checking for Leaks" section 5. Light outdoor fireplace per "Lighting" section

If you have any questions or problems, please call our customer service department at 1-800-643-0067, 8 a.m. - 8 p.m., EST, Monday - Friday.

ONE-YEAR LIMITED WARRANTY

We warrant to the original end user purchaser that all aspects of this product will be free of defects in material and workmanship for one (1) year from the date of purchase. If within the stated warranty period a product is found to be defective in material or workmanship, the purchaser must contact the manufacturer's customer service department at 1-800-643-0067. The manufacturer, at its option will repair or replace the defective parts. Replacements for any defective part will be supplied free of charge for installation by the consumer. This warranty shall be effective from the date of purchase as shown in the purchaser's receipt. This warranty is valid for the original end user purchaser only and excludes coverage for industrial, commercial or business use of the product, product damage due to shipment or failure which results from alteration, product abuse or product misuse. We will not be responsible for labor charges and/or damage incurred in installation, repair or replacement, or for any special, incidental or consequential damages, including, but not limited to, loss of use, loss of revenue, loss of actual or anticipated profits. This warranty does not apply: (a) to consumable parts, such as batteries or protective coatings that are designed to diminish over time, unless failure has occurred due to a defect in materials or workmanship; (b) to cosmetic damage, including but not limited to scratches, dents and broken materials unless failure has occurred due to a defect in materials or workmanship; (c) to damage caused by use with a third party component or product that does not meet the manufacturer's product specifications; (d) to damage caused by accident, abuse, or misuse; (e) to damage caused by operating the product contrary to the published user manual(s); or (f) to a product that has been modified to alter functionality or capability.

This warranty gives you specific legal rights, and you may also have the other rights that vary from state to state. As some states do not allow exclusions or limitations on an implied warranty, the above exclusions and limitations may not apply.

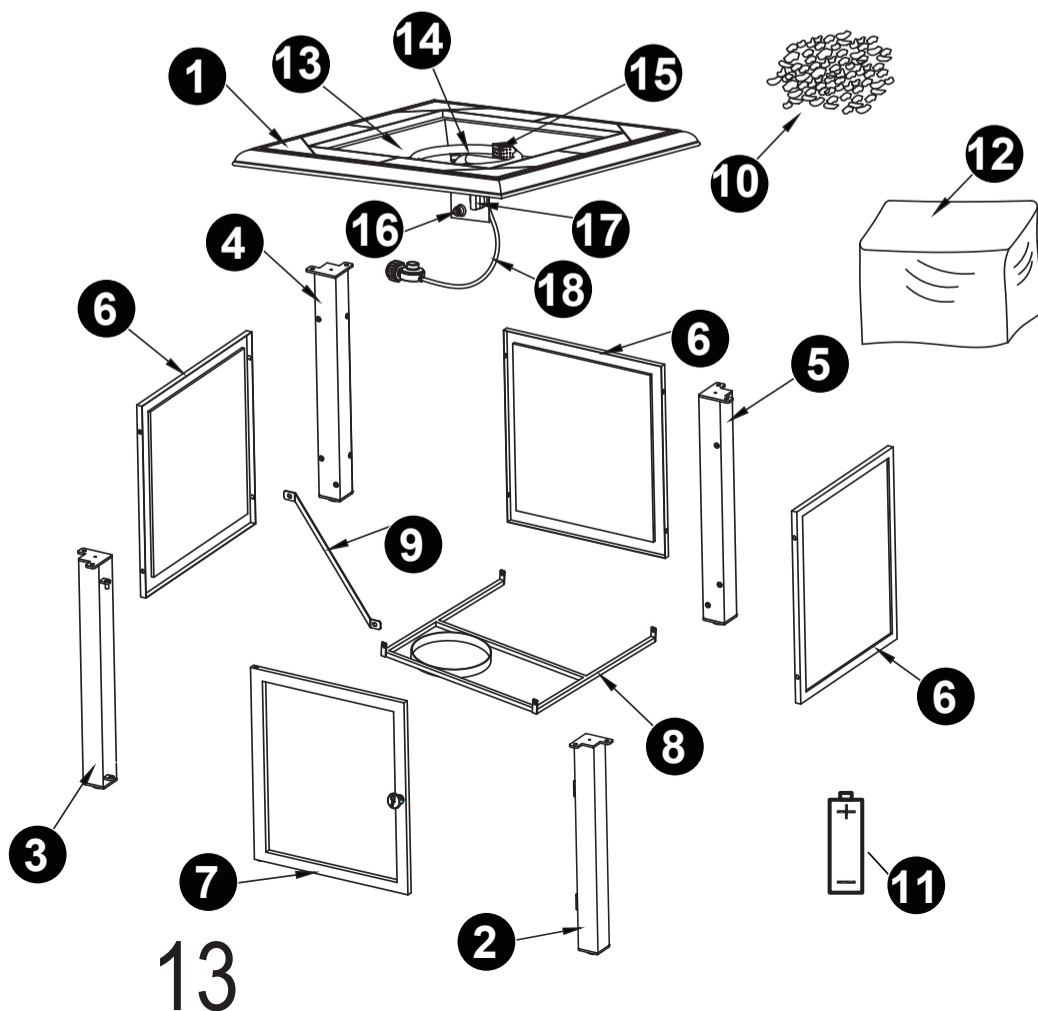
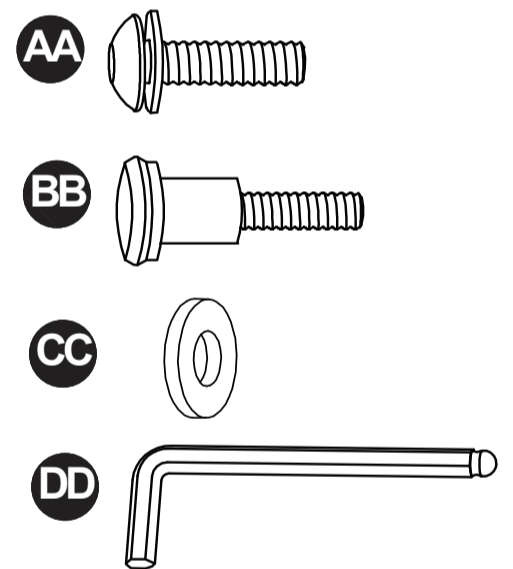
PRODUCT REGISTRATION

For faster warranty service, please register your product immediately. Please call 1-800-643-0067.

REPLACEMENT PARTS

For replacement parts, call our customer service department at 1-800-643-0067, 8 a.m. - 8 p.m., EST, Monday - Friday.

PART	DESCRIPTION	PART#	PART	DESCRIPTION	PART#
1	Table Top	1260934-1	17	Control Knob	1260934-17
2	Table Leg A	1260934-2	18	Regulator/ Hose Assembly	1260934-18
3	Table Leg B	1260934-3	AA	M6x15 Bolt	1260934-AA
4	Table Leg C	1260934-4	BB	Bolt	1260934-BB
5	Table Leg D	1260934-5	CC	φ 17 Washer	1260934-CC
6	Side Panel A	1260934-6	DD	Allen Wrench	1260934-DD
7	Side Panel B	1260934-7			
8	Tank Base	1260934-8			
9	Gas Barrier	1260934-9			
10	Lava Rocks	1260934-10			
11	Battery	1260934-11			
12	Polyester Cover	1260934-12			
13	Bottom Bowl	1260934-13			
14	Burner Ring	1260934-14			
15	Pilot Housing	1260934-15			
16	Manual Electric Igniter	1260934-16			



MESA CON FOGÓN DE GAS CON CUBIERTA DE BALDOSA DE 74,49 cm

MODELO # FHTS80063E-3

Español p. 14

ADVERTENCIA
PARA SU SEGURIDAD:
 Solo para uso en exteriores (área exterior, no cerrada)
 La instalación y el servicio tienen que realizarse por un instalador certificado, una agencia de servicio o un suministrador de gas

ADVERTENCIA
PARA SU SEGURIDAD:

- ⚠ Si no se sigue con precisión la información de este manual, podrían ocurrir incendios o explosiones que causen daños a la propiedad, lesiones personales o la muerte.
- ⚠ **QUÉ HACER SI PERCIBE OLOR A GAS:**
 - NO intente encender ningún electrodoméstico.
 - NO toque ningún interruptor eléctrico.
 - NO utilice ningún teléfono en su edificio.
 - Desde el teléfono de un vecino, llame inmediatamente a su proveedor de gas.
 - Siga las instrucciones del proveedor de gas.
 - Si no puede comunicarse con su proveedor de gas, llame al Departamento de Bomberos.
- ⚠ La instalación y reparación deben ser realizadas por un instalador calificado, una empresa de servicio o el proveedor de gas.
- ⚠ Instalador: de la este manual con el electrodoméstico. CONSUMIDOR: conserva este manual para consultarlo en el futuro.
- ⚠ Si está ensamblando esta unidad para otra persona, entréguele este manual para que lo lea y lo conserve para referencia

ADVERTENCIA
PARA SU SEGURIDAD:

- ⚠ La instalación, el ajuste, la alteración, la reparación o el mantenimiento inadecuados pueden producir lesiones o daños a la propiedad.
- ⚠ Lea con detención las instrucciones de instalación, funcionamiento y mantenimiento antes de instalar o reparar este equipo.

PELIGRO
 Si percibe olor a gas:

1. Cierre el suministro de gas hacia el electrodoméstico.
2. Apague cualquier llama expuesta.
3. Si el mal olor continúa, abandona el área inmediatamente.
4. Después de salir del área, llama a tu suministrador de gas o al departamento de bomberos.

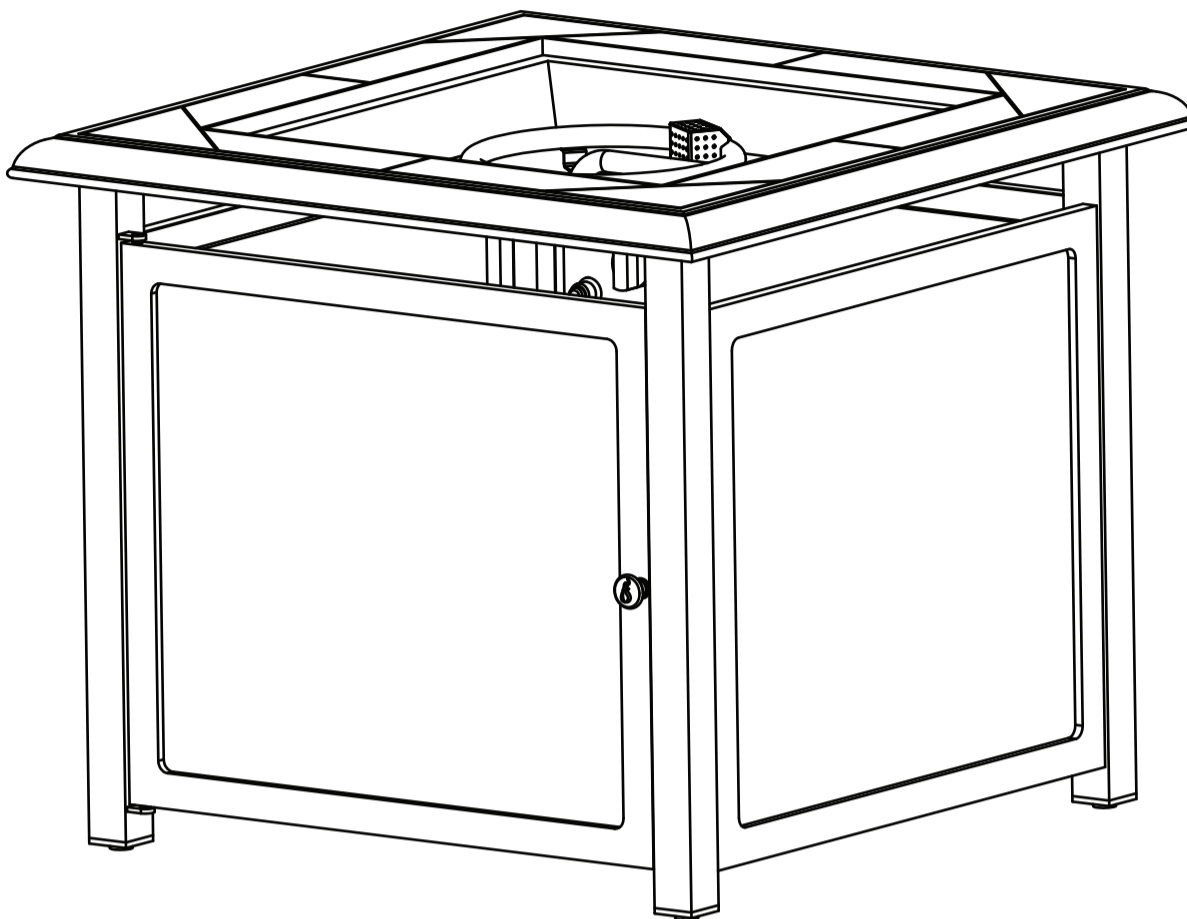
No seguir estas instrucciones puede ocasionar incendios o explosiones, lo que podría provocar la muerte, lesiones personales o daños a la propiedad.

ADVERTENCIA
PARA SU SEGURIDAD:

1. NO almacene ni utilice gasolina u otros vapores o líquidos inflamables cerca de este ni de ningún otro electrodoméstico.
2. No deben almacenarse cilindros de PL que no estén conectados y en uso cerca de este ni de ningún otro electrodoméstico.

PELIGRO

NO deje este electrodoméstico sin supervisión cuando esté en funcionamiento.



PELIGRO

PELIGRO DE MONÓXIDO DE CARBONO

- Este electrodoméstico puede producir monóxido de carbono, el cual es inodoro.
- Su uso en espacios cerrados puede ser fatal.
- Nunca use este electrodoméstico en espacios cerrados, como dentro de remolques, carpas, automóviles o casas.

Índice

Contenido del paquete	15
Información de seguridad importante	16
Peligros y advertencias sobre el propano (PL)	18
Precaución	19
Ensamblaje y reemplazo de la manguera y el regulador	20
Instrucciones de ensamblaje	21
Instrucciones de funcionamiento	23
Limpeza y cuidado	24
Solución de problemas	25
Garantía y Lista de piezas de repuesto	26

Este electrodoméstico cumple con la norma "ANSI Z21.97-2017/CSA 2.41-2017 para electrodomésticos decorativos a gas para exteriores".
 Propuesta 65 de California: los subproductos de la combustión generados al usar este producto contienen sustancias químicas reconocidas por el estado de California como causantes de cáncer, defectos congénitos y otros daños en el aparato reproductivo.
 Propuesta 65 de California: lávese las manos después de manipular el producto.
 Propuesta 65 de California: la manipulación del material de latón de este producto lo expone al plomo, un químico reconocido por el estado de California como causante de cáncer y defectos congénitos u otros daños en el aparato reproductivo.
 Para más información, vaya a www.P65Warnings.ca.gov
 También están disponibles en kits de conversión de gas Lowes.com



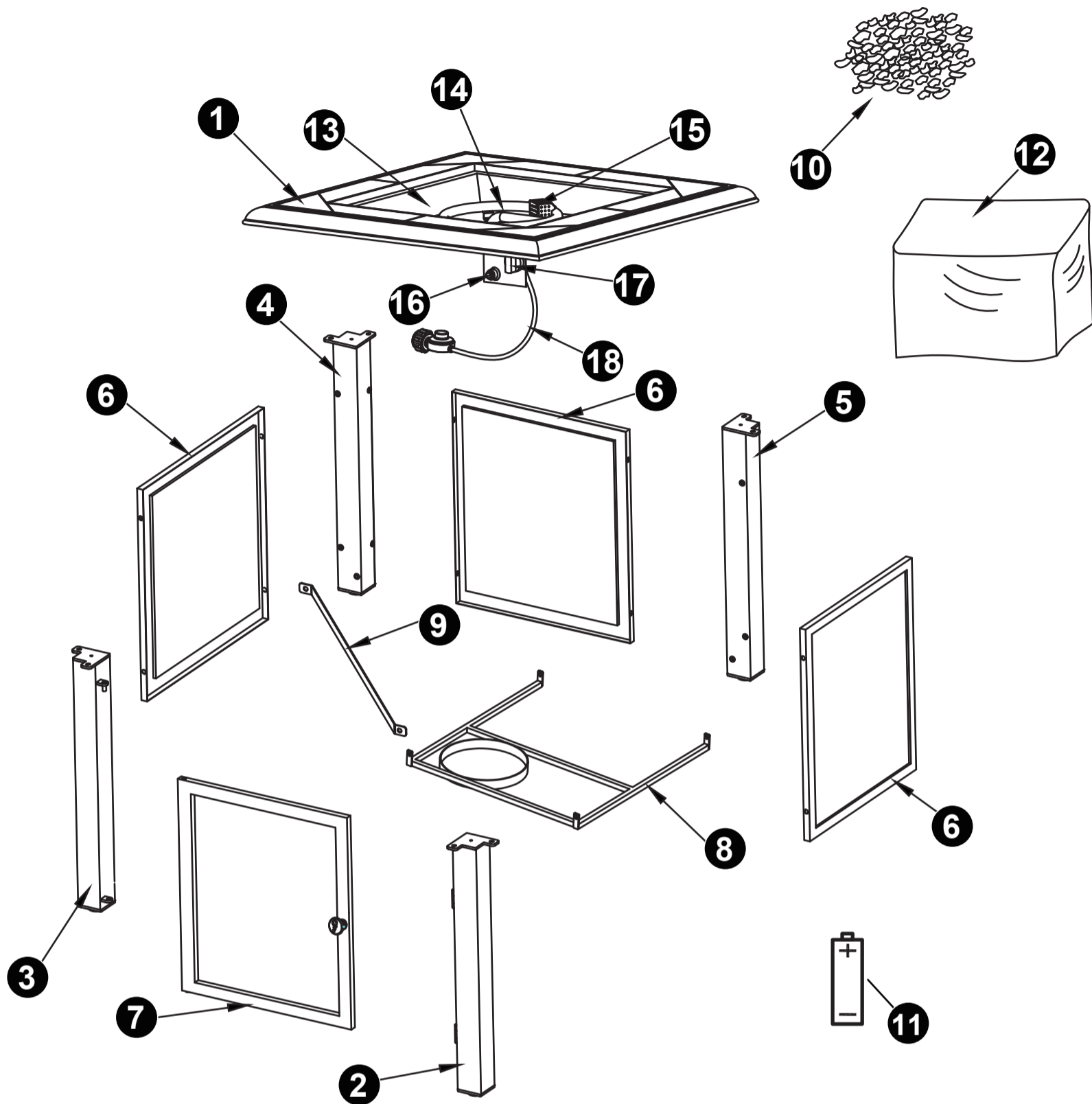
ADJUNTE SU RECIBO AQUÍ

Número de serie _____ Fecha de compra _____



Preguntas, problemas, partes faltantes? Antes de regresar a tu minorista, llame a nuestro Departamento de servicio al cliente al 1-800-643-0067, de lunes a viernes de 8 a.m. a 8 p.m., hora estándar del Este.

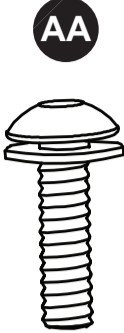
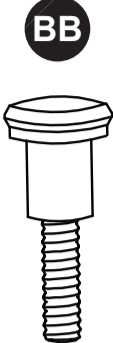

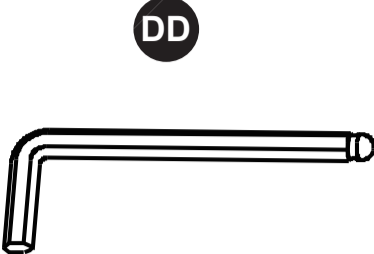
CONTENIDO DEL PAQUETE



PIEZA	DESCRIPCIÓN	CANTIDAD
1	Cubierta de mesa	1
2	Pata de la mesa A	1
3	Pata de la mesa B	1
4	Pata de la mesa C	1
5	Pata de la mesa D	1
6	Panel lateral A	3
7	Panel lateral B	1
8	Base del tanque	1
9	Barrera de gas	1

PIEZA	DESCRIPCIÓN	CANTIDAD
10	Rocas de lava	1
11	Batería	1
12	Cubierta de poliéster	1
13	Tazón inferior	1
14	Anillo de combustión	1
15	Carcasa del piloto	1
16	Encendedor eléctrico manual	1
17	Perilla de control	1
18	Ensamble del regulador/manguera x 1	1

ADITAMENTOS (no se muestran en tamaño real)

			
Perno M6 x 15 mm	Perno	Arandela ϕ 17	Llave Allen
Cant. 26	Cant. 1	Cant. 2	Cant. 1

! INFORMACIÓN IMPORTANTE DE SEGURIDAD



ADVERTENCIA: LA MESA CON FOGÓN ES SOLO PARA USO EN EXTERIORES

Únicamente una persona de servicio calificada debe realizar la instalación y la reparación. Una persona de servicio calificada debe inspeccionar el artefacto antes de cada uso y al menos una vez al año. Es posible que se requiera una limpieza más frecuente, según sea necesario. Es esencial que mantenga limpios el compartimiento del control, los quemadores y los pasajes de circulación de aire del artefacto.

ADVERTENCIA No seguir los avisos de peligro, advertencias y precauciones de este manual podría causar lesiones personales graves o la muerte, o resultar en incendios o explosiones que provoquen daños a la propiedad.

AVISO IMPORTANTE Lea y comprenda todas las advertencias y precauciones antes de ensamblar y utilizar la mesa con fogón de gas. La instalación, el ajuste, la modificación, la reparación o el mantenimiento inadecuados pueden producir lesiones o daños a la propiedad.

Nota El uso y la instalación de este producto se deben realizar conforme a las regulaciones locales. Si no existieran regulaciones locales, utilice el Código Nacional de Gas Combustible, ANSI Z223.1/NFPA54. Consulte el Código de Instalación de Propano y Gas Natural, CSA B149.1 o el Código de Manipulación y Almacenamiento de Propano, B149.2.

Distancia mínima desde la unidad a materiales combustibles

165,1 cm (65 pulg.) desde la parte superior: 121,92 cm (48 pulg.) desde los costados y la parte posterior. No coloque esta mesa con fogón debajo de estructuras superiores.

SI PERCIBE OLOR A GAS

- Cierre el suministro de gas hacia la mesa con fogón.
- Apague cualquier llama abierta.
- No intente encender ningún electrodoméstico.
- No toque ningún interruptor eléctrico ni utilice ningún teléfono dentro del edificio.
- Desde el teléfono de un vecino, llame inmediatamente a su proveedor de gas.
- Siga las instrucciones del proveedor de gas.
- Si no puede comunicarse con su proveedor de gas, llame al Departamento de Bomberos.

Se debe alertar a niños y adultos acerca de los peligros de la alta temperatura de la superficie y de que se debe mantener una distancia segura cuando la mesa con fogón esté en uso. Esta mesa con fogón para exteriores no debe ser manipulada por niños.

Se debe supervisar de cerca a los niños pequeños cuando se encuentren en las cercanías de esta mesa con fogón para exteriores. No cuelgue ni coloque ropa u otros materiales inflamables sobre o cerca de la mesa con fogón de gas. Se debe volver a colocar cualquier protector u otro dispositivo de protección que se haya retirado para realizarle mantenimiento al artefacto antes de hacerlo funcionar.

- Guarde estas instrucciones para referencia futura. Si está ensamblando esta unidad para otra persona, entréguele este manual para que lo lea y lo conserve para referencia futura.
- Esta mesa con fogón debe usarse SOLO en exteriores en un espacio bien ventilado y NO debe utilizarse en edificios, garajes ni otras áreas cerradas.
- NO utilice esta mesa con fogón para exteriores como calefacción para interiores. Las emanaciones TÓXICAS de monóxido de carbono pueden acumularse y causar asfixia.
- NUNCA DEJE la mesa con fogón de gas sin supervisión cuando esté en uso.
- Esta unidad se debe utilizar solo con gas propano y gas natural (se venden por separado).
- No utilice llamas para detectar fugas de gas.

INFORMACIÓN DE SEGURIDAD IMPORTANTE (continuación)

- No almacene ni utilice gasolina u otros vapores o líquidos inflamables a menos de 7,62 m (25 pies) de este o cualquier otro artefacto.
- No almacene materiales combustibles en el compartimiento de la base.
- El consumo de alcohol o medicamentos con o sin receta puede disminuir la capacidad de un individuo para ensamblar o usar esta mesa con fogón para exteriores de manera segura y correcta.
- NO utilice la unidad en un entorno explosivo. Mantenga el área de la mesa con fogón de gas limpia y libre de materiales combustibles, gasolina y otros vapores o líquidos inflamables.
- Esta mesa con fogón para exteriores no debe instalarse ni usarse en vehículos recreativos ni en botes.
- Siempre cumpla con todos los códigos locales, estatales y nacionales correspondientes al utilizar el producto. Póngase en contacto con el Departamento de Bomberos local para obtener información sobre quemaduras en exteriores.
- Cuando utilice esta mesa con fogón para exteriores, tome las mismas precauciones que tomaría en caso de un fuego abierto.
- En esta mesa con fogón para exteriores NO queme combustibles sólidos, como los siguientes: madera, briquetas de carbón, carbón de leña, leños fabricados, madera flotante, basura, hojas, papel, cartones, madera contrachapada, madera pintada o teñida o tratada a presión.
- NO pinte ni coloree ninguna pieza de esta unidad de calefacción.
- NO use esta mesa con fogón para exteriores hasta que esté COMPLETAMENTE ensamblada y todas las piezas estén bien ajustadas y apretadas.
- NO almacene otro tanque de gas PL a menos de 3,05 m (10 pies) de distancia de esta mesa con fogón para exteriores mientras esté en funcionamiento.
- NO use esta mesa con fogón para exteriores cerca de automóviles, camiones, camionetas o vehículos recreativos.
- NO use esta mesa con fogón para exteriores debajo de construcciones en elevación o de construcciones inflamables sin protección.
Evite usar este producto cerca o debajo de árboles y arbustos que sobresalen.
- Siempre use esta mesa con fogón para exteriores sobre una superficie dura, nivelada y no inflamable, como concreto, roca o piedra. Es posible que una superficie de asfalto o alquitrán no sea adecuada para este propósito.
- NO use esta mesa con fogón para exteriores si alguna de las piezas estuvo sumergida en agua. Llame a un técnico de servicio calificado de inmediato para que inspeccione la mesa con fogón y reemplace cualquier pieza, sistema de control o control de gas que haya estado sumergido en agua.
- Siempre retire la cubierta protectora antes usar el producto (si corresponde).
- NO coloque la cubierta protectora sobre la unidad hasta que se haya apagado y enfriado por completo.
- NO la utilice en condiciones de mucho viento.
- Mantenga todos los cables eléctricos alejados de la mesa con fogón para exteriores cuando esté caliente.
- Ciertas áreas de esta mesa con fogón para exteriores se calientan demasiado al tacto cuando está en uso. Para evitar quemaduras, no toque las superficies calientes hasta que la unidad se haya enfriado, a menos que utilice equipo de protección, como manoplas para horno aislantes o guantes o mitones resistentes al calor.
- NO intente mover o almacenar la mesa con fogón para exteriores hasta que todas las piezas se hayan enfriado.
- NO se incline sobre esta mesa con fogón para exteriores al encenderla o cuando esté funcionando.
- Use solo el ensamble del regulador y la manguera incluido. El ensamble del regulador y la manguera de repuesto debe ser el especificado por el fabricante.
- NO intente desconectar el regulador de gas del tanque ni ninguna otra conexión de gas mientras la mesa con fogón para exteriores esté funcionando.
- Cierre siempre el suministro en la válvula del cilindro y desconecte el regulador del tanque cuando la mesa con fogón no esté en uso.
- NO se sienta sobre la mesa con fogón si la unidad está funcionando.
- NO arroje nada al fuego si la unidad está funcionando.
- Las rocas de lava se calientan mucho. Mantenga a los niños o las mascotas a una distancia segura.
- Es fundamental que mantenga limpios el compartimiento de la válvula, los quemadores y los pasajes de circulación de aire de la mesa con fogón para exteriores. Inspeccione la mesa con fogón para exteriores antes de cada uso.
- Revise si hay fugas si la unidad no se ha utilizado por periodos prolongados.
- Cada vez que vaya a utilizar la mesa con fogón, revise si hay signos de abrasión o desgaste excesivos en la manguera, mirando a través del orificio de inspección visual. Si la manguera está dañada, agrietada o cortada, debe reemplazarla antes de usar la mesa con fogón a gas. El ensamble de la manguera solo puede reemplazarse por el ensamble de repuesto especificado por el fabricante. Llame a Creative Outdoor Solutions al 1-800-643-6700.
- Antes de cada uso, retire las rocas de lava. Examine el quemador y sus componentes. Si están sucios, límpielos con un cepillo suave y una solución de agua jabonosa. Además, examine el área alrededor del quemador.

PELIGROS Y ADVERTENCIAS SOBRE EL PROPANO (PL)

- Se debe retirar cualquier suciedad o material extraño de esta área, como telas de araña o nidos. Si es evidente que el quemador está dañado, no debe utilizarse la mesa con fogón. No se puede reemplazar el ensamble del quemador. Comuníquese con Lowe's por teléfono al 1-800-643-0067 para obtener asistencia técnica.
- Coloque la manguera alejada de las áreas donde transitan las personas y puedan tropezarse (si utiliza un tanque externo). No coloque la manguera en áreas donde pueda sufrir daños accidentales.

ATENCIÓN: cualquier modificación que se realice a la mesa con fogón para exteriores que no se indique expresamente en el manual de funcionamiento anulará la garantía del fabricante.

GAS PL

El gas PL es inflamable y peligroso si se manipula de manera incorrecta. Tenga en cuenta las características antes de usar cualquier producto de gas PL.

Características del propano:

- Inflamable, explosivo bajo presión, más denso que el aire y se deposita en áreas bajas.
- En su estado natural, el propano es inodoro. Para su seguridad, se le ha agregado olor.
- El contacto con el propano puede causar quemaduras en la piel.
- El propano es extremadamente inflamable y peligroso si se manipula de manera incorrecta.

ADVERTENCIAS SOBRE EL GAS PL:

- Los cilindros se deben almacenar en el exterior, en un área bien ventilada y fuera del alcance de los niños.
- Los tapones de la válvula con rosca de los cilindros desconectados deben estar bien apretados y no se deben almacenar en un edificio, garaje o cualquier otro espacio cerrado.
- Nunca use un cilindro de propano si el cuerpo, la válvula, el anillo o la base están dañados.
- Los cilindros de propano abollados u oxidados pueden ser peligrosos y su proveedor de gas propano debe revisarlos.
- Asegúrese de utilizar solo un cilindro de gas PL de 9,10 kg (20 lb) con una válvula tipo 1 con este artefacto, según los requisitos del Instituto Nacional Estadounidense de Estándares (ANSI, por sus siglas de Normas de Canadá. en inglés) y el Comité Regulador
- Solo se pueden usar tanques marcados con "propano".
- El tanque de suministro de gas PL debe estar fabricado y marcado conforme a las especificaciones para este tipo de tanques del Departamento de Transporte de EE. UU. (DOT, por sus siglas en inglés) o a la Ley Nacional de Canadá, CAN/CSA-B339, tanques, esferas y tubos de gas PL para el Transporte de Mercancías Peligrosas.
- El tanque de gas PL se debe adaptar para la extracción de vapores.
- El tanque de gas PL debe contar con un dispositivo de prevención de sobrellenado (OPD, por sus siglas en inglés) homologado y una conexión QCCI o Tipo I (CGA810) para tanques de gas PL.
- El tanque de gas PL debe incluir un anillo para proteger la válvula del tanque.
El cilindro de gas PL debe tener una válvula de cierre según lo especificado en la norma para conexiones de entrada y salida de válvulas para cilindros de gas comprimido ANSI/CGA-V-1-1977, CSA B96.
- Nunca use un tanque de gas PL si el cuerpo, la válvula, el anillo o la base están dañados. Los tanques de gas PL abollados u oxidados pueden ser peligrosos y su proveedor de gas propano debe revisarlos antes de su uso.
- No se debe dejar caer el tanque de gas PL ni manipularlo bruscamente.
- Los tanques deben almacenarse en exteriores y fuera del alcance de los niños. NO los almacene en edificios, garajes u otras áreas cerradas.
- Nunca almacene el tanque de gas PL en lugares en que las temperaturas puedan superar los 51 °C (125 °F).
- No almacene el cilindro de gas PL bajo la luz directa del sol o cerca de fuentes de calor o combustibles.
- Nunca almacene un tanque de gas PL lleno en un auto o en el portaequipajes a altas temperaturas. El calor hace aumentar la presión del gas, lo que puede abrir la válvula de descarga y producir un escape de gas.
- Coloque la tapa para polvo en la salida de la válvula del tanque de gas PL cuando no esté en uso. Solo instale el tipo de tapa para polvo que se proporciona con la válvula del tanque de gas PL. Otros tipos de tapas o tapones pueden causar una fuga de propano.
- a. No almacene un cilindro de gas PL de repuesto debajo o cerca de este artefacto.
- b. Nunca llene el cilindro de gas PL a más del 80 % de su capacidad.
- c. Si no sigue con precisión la información provista en los puntos (a) y (b), puede provocar un incendio que cause lesiones graves o la muerte.
- Solo un proveedor de gas PL certificado puede llenar los cilindros de gas PL.
- El regulador de presión está configurado para una presión de salida de 27,94 cm (11 pulg.) de columna de agua (presión).
- La presión máxima del gas propano de admisión para esta mesa con fogón para exteriores es de 250 psi.
- La presión mínima del gas propano de admisión para esta mesa con fogón para exteriores es de 25 psi.
- La presión máxima del gas natural de admisión para esta mesa con fogón para exteriores es de 26,67 cm (10,5 pulg.) de columna de agua.
- La presión mínima del gas natural de admisión para esta mesa con fogón para exteriores es de 8,89 cm (3,5 pulg.) de columna de agua.
- Nunca intente conectar este artefacto al sistema de gas PL autocontenido de un remolque para camping, casa rodante o casa.
- Use siempre el regulador de presión y el ensamble de manguera incluidos con el artefacto para conectarlo a un cilindro de gas PL. Nunca lo conecte a un suministro de gas PL no regulado. Para obtener asistencia técnica, comuníquese con Lowe's por teléfono al 1-800-643-0067.

PELIGROS Y ADVERTENCIAS SOBRE EL PROPANO (PL) (continuación)

- Gire a mano la válvula de control de gas manual. Nunca utilice herramientas. Si la válvula no se puede girar con la mano, no intente repararla. Comuníquese con un técnico de gas certificado. Si utiliza fuerza o intenta realizar una reparación usted mismo, podría provocar un incendio o una explosión.

Conexión del cilindro de gas:

Antes de realizar la conexión, asegúrese de que no haya suciedad en el cabezal del cilindro de gas, el cabezal de la válvula del regulador o en el cabezal y los puertos del quemador. Conecte la válvula del regulador y apriete firmemente con la mano. Desconecte el cilindro de propano de la válvula del regulador cuando la mesa con fogón no esté funcionando. NO obstruya el flujo de aire de combustión y de aire de ventilación hacia el quemador.

PRECAUCIÓN:

▲ PRECAUCIÓN: después de encenderlo, utilice una herramienta para fogón y guantes resistentes al calor para mover con cuidado las rocas de lava hasta la posición adecuada y tenga cuidado para evitar la llama.

▲ PRECAUCIÓN: si no se enciende dentro de 5 segundos, gire la perilla de control a la posición "OFF" (apagado), espere 5 minutos, ventile con un periódico o una revista y repita el procedimiento de encendido

▲ PRECAUCIÓN:

1. La limpieza y el mantenimiento deben realizarse cuando el fogón para exteriores esté frío y con el suministro de combustible desconectado.
2. No limpie ninguna pieza del fogón para exteriores en un horno con autolimpieza, ya que el calor extremo podría dañar el acabado.
3. No agrande los orificios de la válvula ni de los puertos del quemador cuando limpie las válvulas o los quemadores.

▲ PRECAUCIÓN: NUNCA coloque una cubierta sobre la mesa con fogón para exteriores si está caliente.

PREPARACIÓN

Antes de comenzar a ensamblar el producto, asegúrese de tener todas las piezas. Compare las piezas con la lista del contenido del paquete y la lista de aditamentos. No intente ensamblar el producto si falta alguna pieza o si estas están dañadas.

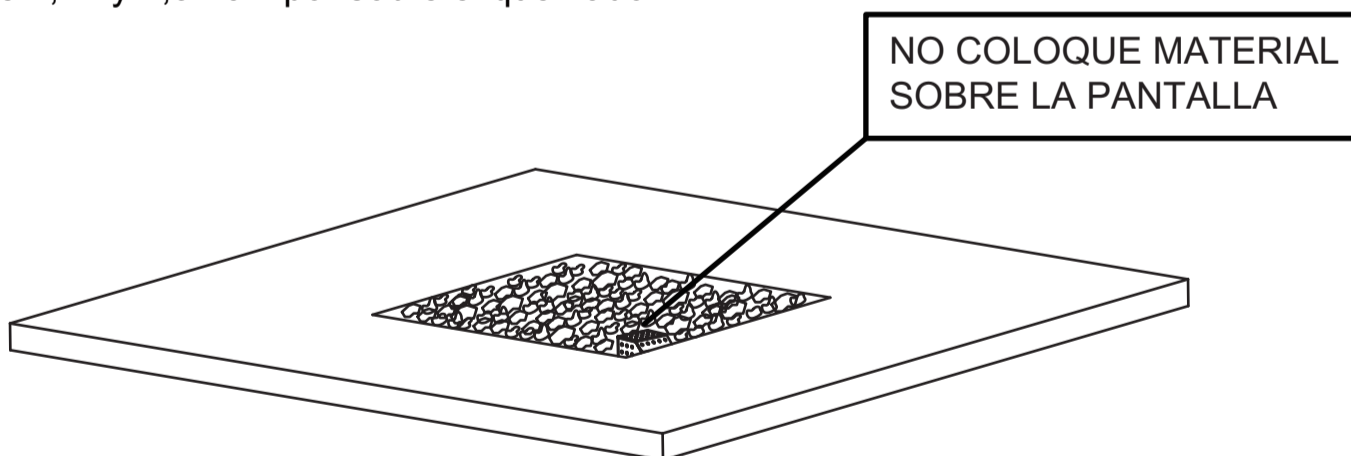
Tiempo estimado de ensamblaje: 60 minutos.

ENSAMBLAJE Y REEMPLAZO DE LA MANGUERA Y DEL REGULADOR

1. Esta mesa con fogón está equipada con una manguera y un regulador de gas PL estándar, incluyendo la conexión lateral del electrodoméstico para un Dispositivo de conexión de cilindros CGA No. 791. Se deben utilizar el regulador y la manguera proporcionados con esta mesa con fogón. Solo se pueden utilizar la manguera y el regulador de repuesto especificados por el fabricante.
 - a. La conexión CGA No. 791 incorpora un dispositivo de limitación del flujo magnético que actúa para limitar el flujo de gas si se detecta una fuga entre el regulador y la válvula del quemador.
 - b. Si la válvula del quemador se abre antes de abrir la válvula de servicio del cilindro de gas PL, la conexión interpretará este flujo libre de gas como una fuga.
 - c. La característica de seguridad para la conexión reduce el flujo de gas desde el regulador hacia el electrodoméstico a un nivel mínimo.
 - d. Asegúrese de que la válvula de control del quemador esté cerrada antes de abrir la válvula de servicio del cilindro de gas PL para asegurarse de que el dispositivo de limitación de flujo de la conexión no se active por error.
 - e. Si el dispositivo de limitación de flujo de la conexión se activa por error, cierre la válvula de servicio del cilindro de gas PL y la válvula del quemador, espere 10 segundos para permitir que el dispositivo se restablezca, abra la válvula de servicio del cilindro y luego abra la válvula del quemador y encienda la chimenea según las instrucciones de encendido.
2. Asegúrese de proteger la manguera de las superficies calientes. Si la manguera entra en contacto con una superficie caliente se podría producir un peligro grave.
3. Mantenimiento regular de la manguera y el regulador:
 - a. Inspeccione la manguera antes de cada uso de la mesa con fogón. Si la manguera muestra signos de agrietamiento, abrasión, cortes o daños de cualquier tipo, no haga funcionar el electrodoméstico. Repare o reemplace la manguera si es necesario antes de usar el electrodoméstico. Para obtener ayuda con la reparación o el reemplazo de la manguera, llame a Creative Outdoor Solutions al 1800-643-6700. Use solo las piezas de repuesto del fabricante.
 - b. Revise el sello dentro de la válvula de servicio CGA No. 791 en el cilindro de gas PL cuando reemplace el cilindro o al menos una vez al año. Si hay alguna indicación de daño, busque a un proveedor de gas certificado para que lo repare antes de hacer funcionar el electrodoméstico.
4. No utilice herramientas para apretar la tuerca de la conexión CGA No. 791 en la válvula de servicio del cilindro de gas PL. Apriete a mano solamente.
5. Tenga cuidado de no cruzar las roscas en la conexión al apretar la conexión CGA No. 791 en la válvula de servicio del cilindro de gas PL.
6. Siempre se debe realizar una "prueba de fugas" después de fijar la conexión en la válvula de servicio del cilindro de gas PL. (Consulte la sección "Búsqueda de fugas" en las páginas 10 de este manual)
7. Para la conexión de la manguera y el regulador al tanque de PL, consulte la sección "Conexión" del cilindro de gas PL anterior.

Advertencia de roca de lava:

1. Las rocas de lava pueden tener bordes filosos. Use gafas de seguridad y guantes cuando las manipule.
2. No cambie ni reemplace las rocas de lava provistas con este fogón. Si desea reemplazarlas, utilice únicamente el material de lava de repuesto de su distribuidor o proveedor local.
3. Vierta el material de lava de manera uniforme en el área del quemador (salvo en la pantalla, si corresponde). lava debe estar a entre 1,27 y 2,54 cm por sobre el quemador.

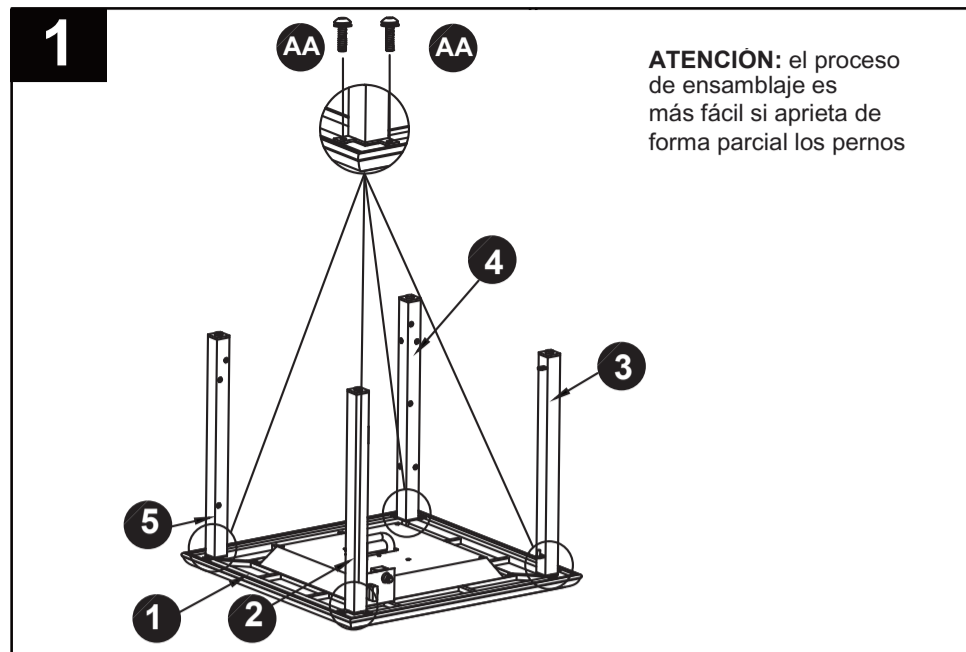
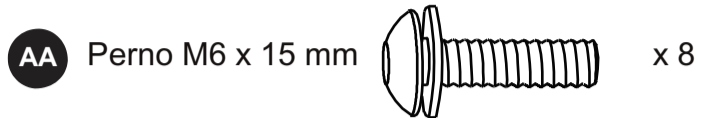


4. **IMPORTANTE:** no coloque el material de vidrio a más de 2,54 cm por sobre el quemador. Asegúrese de que el material no cubra la pantalla del encendedor. Almacene el material sobrante en un lugar seguro.
5. Manténgase alejado de la unidad durante los primeros 20 minutos posteriores al encendido de la unidad por primera vez, ya que las rocas de lava/piedras pómez/fragmentos de vidrio/cuentas de vidrio podrían saltar y provocar lesiones. Deseche las rocas que se salgan.
6. Asegúrese siempre de que las rocas de lava/piedras pómez/fragmentos de vidrio/cuentas de vidrio estén completamente secos antes del uso. No hacerlo podría provocar que se quiebren o salten.

INSTRUCCIONES DE ENSAMBLAJE

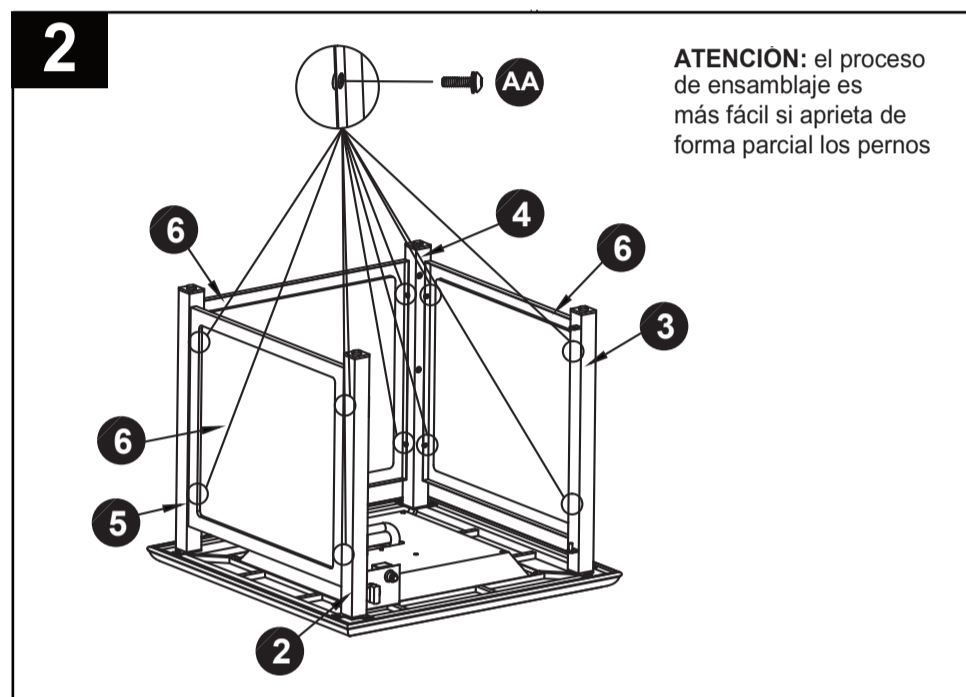
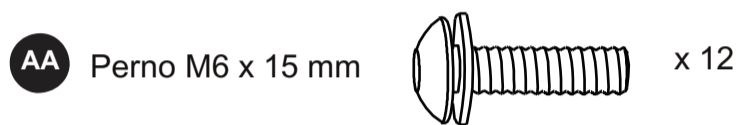
1. Coloque con cuidado la cubierta (1) hacia abajo sobre una superficie suave. Si no cumple con esta recomendación, podría dañar o rayar la cubierta de la mesa. Fije las patas de la mesa A(2), B(3), C(4) y D(5) a la cubierta (1). Utilice los pernos (AA).

Aditamentos utilizados



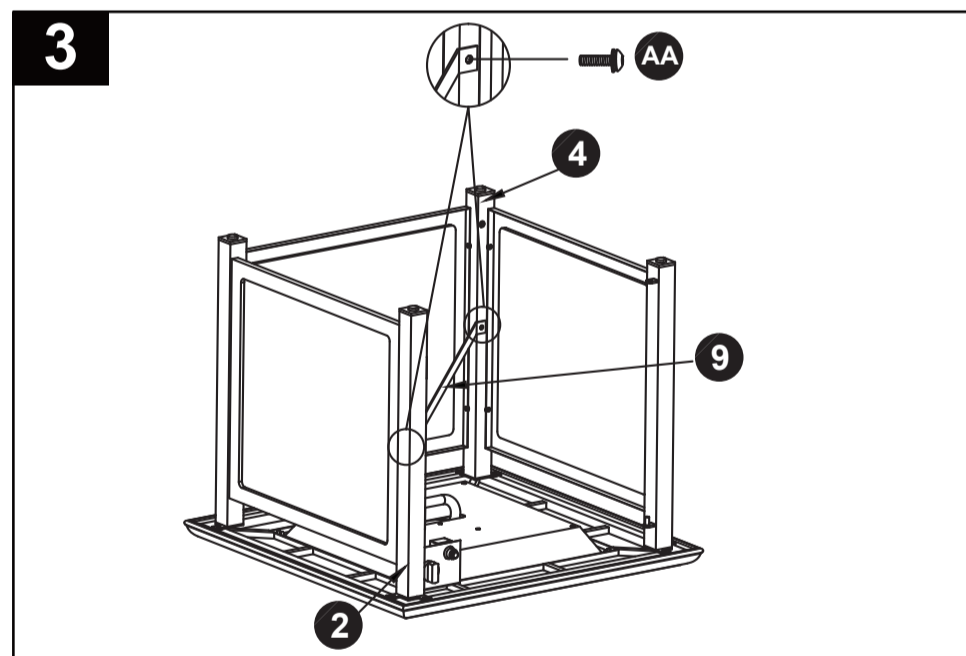
2. Fije el panel lateral A(6) a las patas de la mesa A(2), B(3), C(4) y D(5). Utilice los pernos (AA).

Aditamentos utilizados



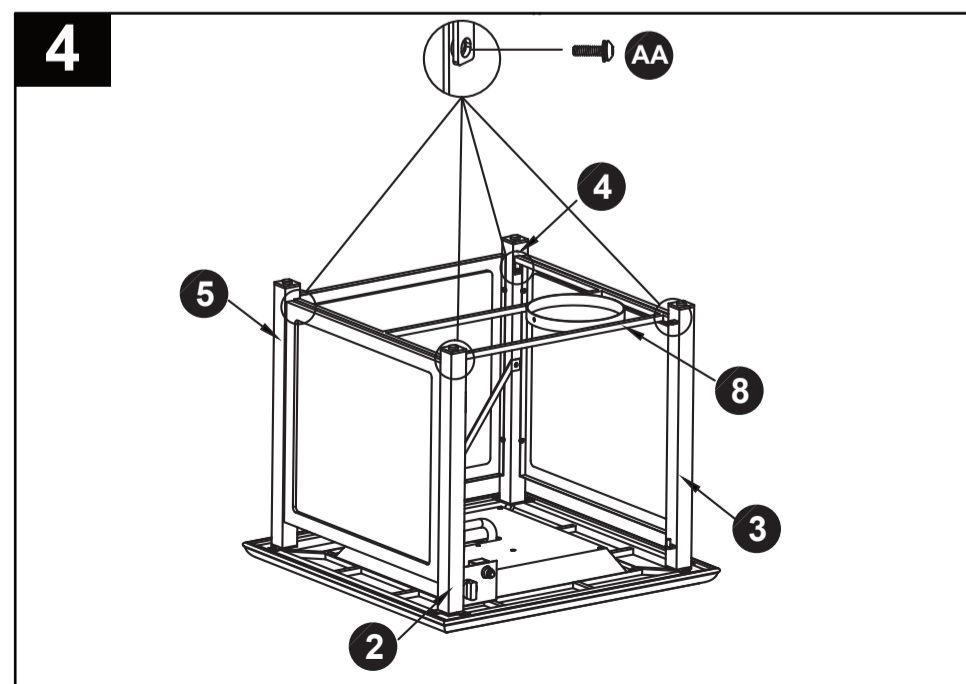
3. Fije la barrera de gas (9) a las patas de la mesa A(2) y C(4). Utilice los pernos (AA).

Aditamentos utilizados



4. Fije la base del tanque (8) a las patas de la mesa A(2), B(3), C(4) y D(5). Utilice los pernos (AA).

Aditamentos utilizados

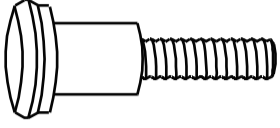


INSTRUCCIONES DE ENSAMBLAJE

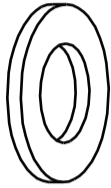
5. Fije el panel lateral B(7) a la patas de la mesa B(3) (2). Use el perno (BB) y las arandelas (CC).

Aditamentos utilizados

BB Perno x 1

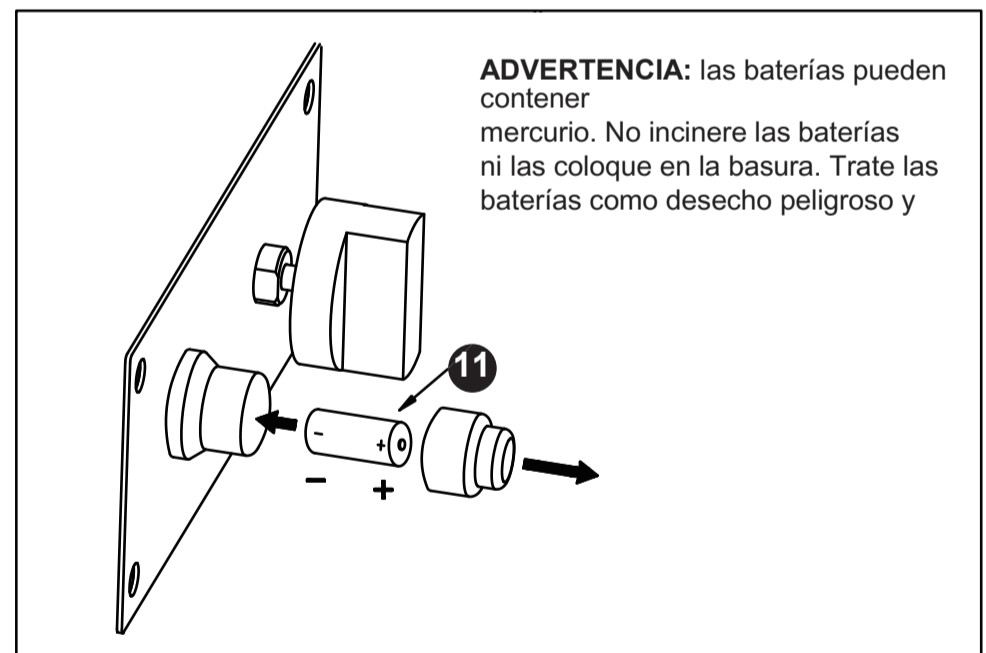
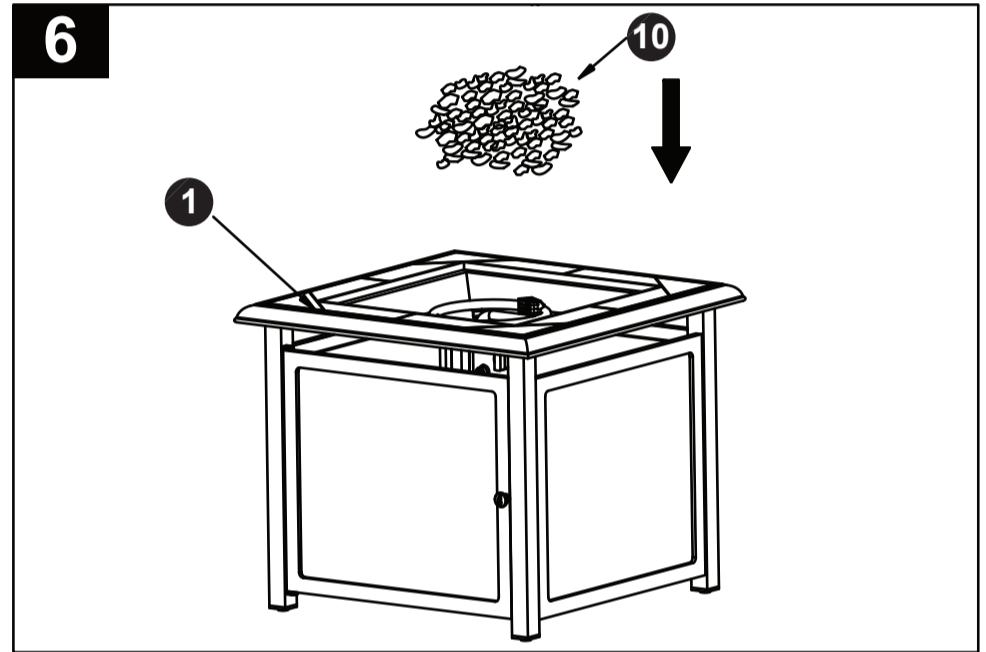
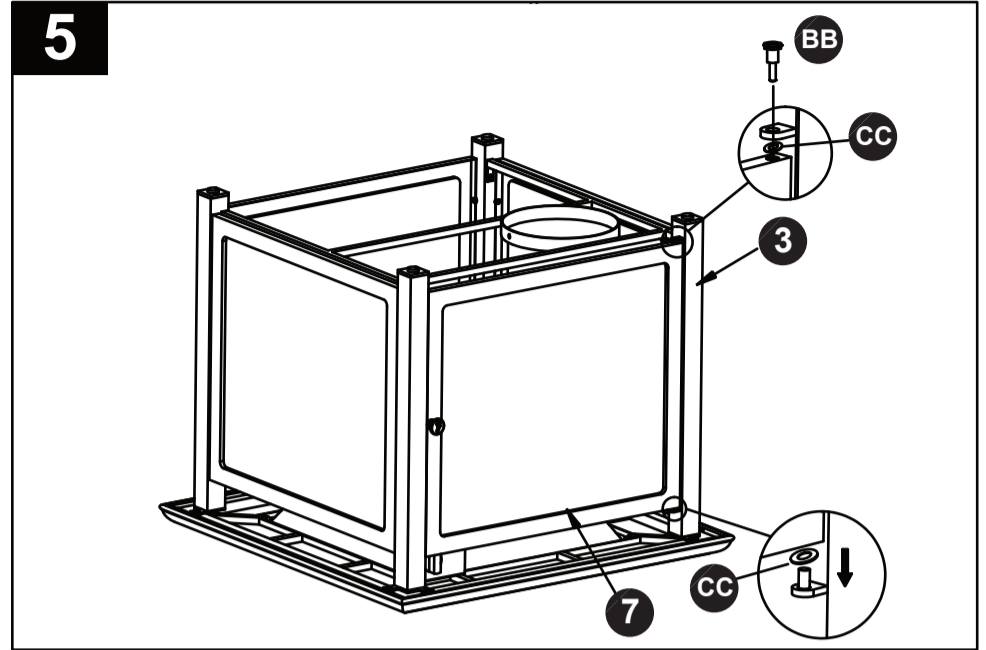


CC Arandela $\phi 17$ x 2



6. Coloque las rocas de lava (10) en el tazón del quemador.

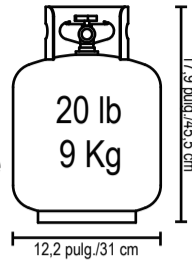
7. Inserte la batería (11) que se incluye y la perilla en el encendedor eléctrico y gire la cubierta del botón en la carcasa del encendedor. No apriete demasiado.



Instalación del tanque de gas PL

Para hacer funcionar el producto, necesitará un tanque de gas PL llenado con precisión para parrillas estándar con roscas externas en la válvula

PRECAUCIÓN: se debe desconectar y retirar de manera adecuada el tanque de gas PL antes de mover esta chimenea para exteriores.

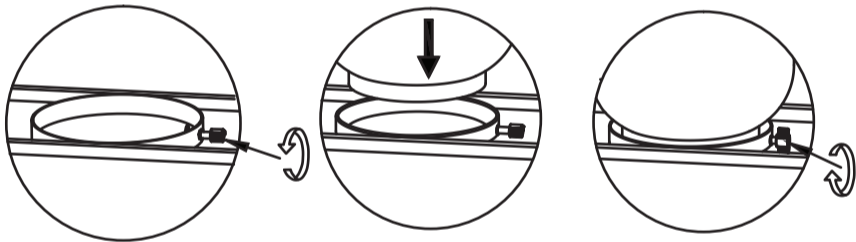
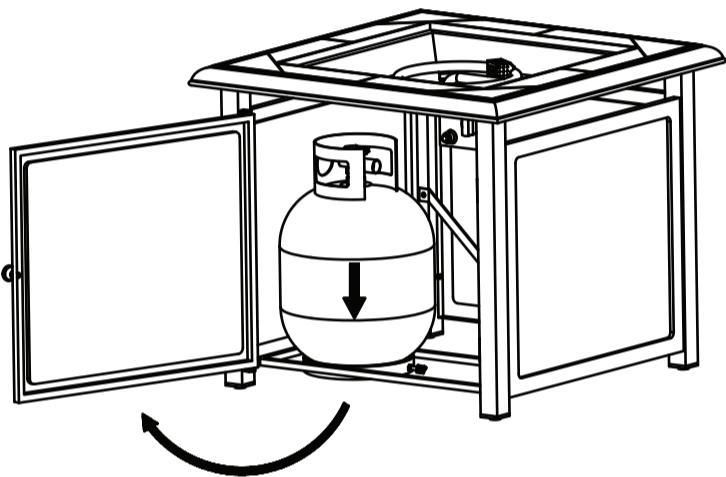


Colocación del tanque de gas PL

ADVERTENCIA: asegúrese de que la válvula del tanque de gas PL esté cerrada.

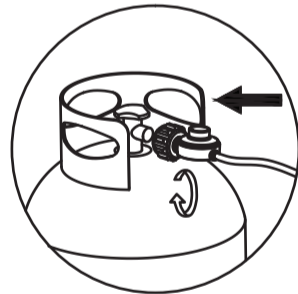
1. Afloje el perno de retención del tanque de gas PL al girarlo en dirección contraria a las manecillas del reloj.
2. Coloque el tanque de gas PL llenado con precisión en posición vertical en el orificio de la base del fogón para exteriores de modo que la válvula del tanque apunte hacia la conexión de la línea de gas
3. Asegure el tanque al girar el perno de retención del tanque de gas PL en dirección de las manecillas del reloj hasta que esté apretado.

Paso 1



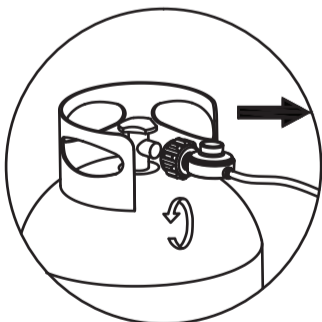
Conexión del tanque de gas PL

1. Antes de conectarlo, asegúrese de que no haya desechos atrapados en el cabezal de la válvula reguladora del tanque de gas PL o en el cabezal del quemador o los puertos del mismo.
2. Conecte el ensamble del regulador/manguera al tanque girando la perilla en dirección de las manecillas del reloj hasta que se detenga.



Desconexión del tanque de gas PL

1. Antes de desconectarlo, asegúrese de que la válvula del tanque de gas PL esté en la posición "CLOSED" ("CERRADA").
2. Desconecte el ensamble del regulador/manguera del tanque de gas PL girando la perilla en dirección contraria a las manecillas del reloj hasta que se afloje.



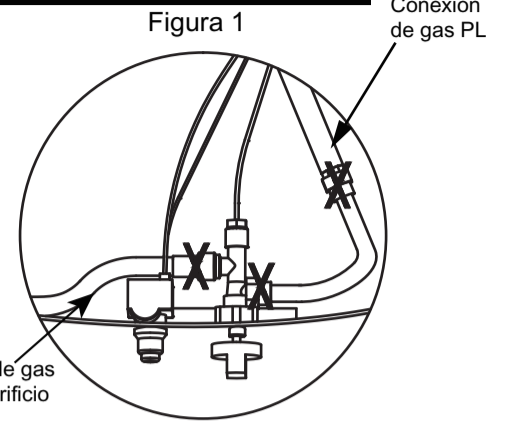
PRECAUCIÓN: se debe desconectar y retirar de manera adecuada el tanque de gas PL antes de mover esta mesa con fogón para exteriores.

3. Coloque la cubierta protectora en el tanque de gas PL y almacénelo en el exterior, en un área bien ventilada, alejado de la luz solar directa.

Instrucciones de funcionamiento

Búsqueda de fugas

ADVERTENCIA: antes de utilizar esta chimenea para exteriores, asegúrese de haber leído, comprendido y de haber seguido toda la información provista en la sección "Medidas de seguridad importantes" en la página 2. No dichas instrucciones puede provocar la muerte, lesiones graves o daños a la propiedad.

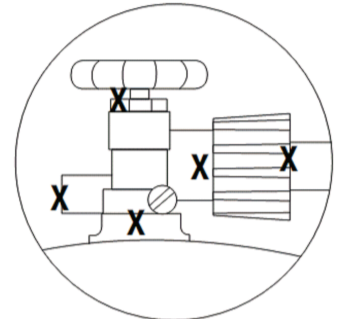


Conexiones del quemador

1. Asegúrese de que las conexiones de la válvula y de la manguera del regulador estén bien fijadas al quemador y al tanque.
2. Verifique visualmente la conexión entre el tubo del quemador/tubo de Venturi y el orificio.
3. Asegúrese de que el tubo del quemador/tubo de Venturi calce en orificio.

ADVERTENCIA: si no inspecciona esta conexión y no sigue estas instrucciones, podría provocar un incendio o una explosión, los que pueden causar la muerte, lesiones personales graves o daños a la propiedad.

Figura 2



4. Consulte el diagrama de las Figuras 1 y 2 para realizar la instalación de manera correcta.
5. Si el tubo del quemador/tubo de Venturi no queda al ras del orificio, como se muestra, llame al 1-800-643-0067 para obtener ayuda.

Conexión del tanque/tubería de gas

1. Prepare entre 59,15 ml y 88,73 ml de solución para detección de fugas mezclando una parte de detergente líquido para platos con tres partes de agua.
2. Asegúrese de que todas las perillas de control estén en la posición "OFF" ("APAGADO") (Figura 3).
3. Conecte el tanque de gas PL, según se indica
4. Inserte la batería incluida y la perilla en el encendedor eléctrico y gire la cubierta del botón en la carcasa del encendedor. No apriete demasiado. (Figura 4)
5. Cierra la horna. (Figura 5).
6. Coloque la válvula del tanque de gas PL en la posición "OPEN" ("ABIERTA").
7. Vierta varias gotas de la solución con una cuchara o use una botella de exprimir sobre los lugares marcados con una "X" (Figuras 1 y 2).
 - a. Si aparecen burbujas, coloque la válvula del tanque de gas PL en la posición "CLOSED" ("CERRADA"), vuelva a conectar y vuelva a realizar la prueba.
 - b. Si continúa viendo burbujas después de varios intentos, coloque la válvula del tanque de gas PL en la posición "CLOSED" y desconecte el tanque de gas PL, según se indica en la sección "Desconexión del tanque de gas PL". Llame al 1-800-643-0067 para obtener ayuda.
 - c. Si no aparecen burbujas pasado un minuto, coloque la válvula del tanque de gas PL en la posición "CLOSED" y limpie los restos de solución para proceder.

Figura 3

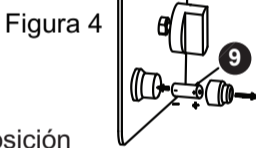
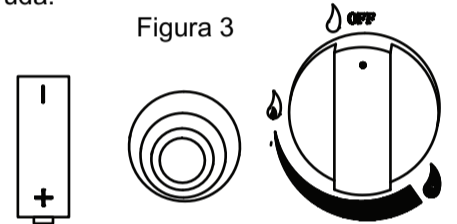


Figura 4

Encendido

- ADVERTENCIA:** NUNCA encienda el quemador con la cubierta colocada sobre la chimenea para exteriores.
- PRECAUCIÓN:** mantenga el área del electrodoméstico a gas para exteriores libre de materiales combustibles, gasolina u otros vapores o líquidos inflamables.
- PRECAUCIÓN:** NO obstruya el flujo del aire de combustión ni de ventilación.
- PRECAUCIÓN:** revise que no haya nidos de insectos ni insectos en los tubos del quemador/tubos de Venturi. Un tubo obstruido puede producir un incendio.

1. Asegúrese de que se hayan retirado todas las etiquetas, láminas protectoras y de embalaje de la chimenea para exteriores.
2. Revise si hay obstrucciones en el flujo de aire que va hacia el quemador. Las arañas, los insectos y las telarañas pueden obstruir el tubo del quemador/tubo de Venturi. Un tubo de quemador obstruido puede producir un incendio.
3. La perilla de control debe estar en la posición "OFF" (Figura 3).
4. Limpie las rocas de vidrio de la pequeña área de la cubierta del encendedor (Figura 6).
5. Conecte el tanque de gas PL, según se indica en la sección "Instalación del tanque de gas PL".
6. Coloque la válvula del tanque de gas PL en la posición "OPEN".
7. Mantenga presionado el encendedor eléctrico para crear chispas dentro del electrodo; continúe presionando.
8. Presione la perilla de control y gírela a la posición "ON" ("ENCENDIDO"); continúe presionando la perilla para permitir que fluya gas por 20 segundos.
9. Pasados 20 segundos, suelte la perilla de control y gírela en dirección contraria a las manecillas del reloj para ajustar la llama a la altura deseada.
10. Si el quemador no se enciende después de 20 segundos, gire la perilla de control del quemador a la posición "OFF", espere 5 minutos y ventile con un periódico o con una revista y repita el procedimiento de encendido.
11. Retire la cubierta y la tapa de la chimenea para exteriores antes de encenderla.

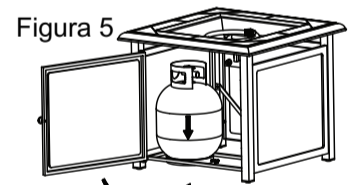


Figura 5



Figura 6



Figura 7

INSTRUCCIONES DE OPERACIÓN (CONTINUACIÓN)

12. Si el encendedor no enciende: el quemador:
 - a. Con unos guantes resistentes al calor, coloque un fósforo encendido largo o un encendedor de butano encendido largo cerca de la carcasa del piloto.
 - b. Presione y gire la perilla de control a la posición "ON 🔼"
 - c. Una vez que se haya encendido el quemador, retire el fósforo o el encendedor.
13. Luego del encendido, observe la llama del quemador y asegúrese de que todos los puertos del quemador estén encendidos y que la altura de la llama coincida con la ilustración (Figura 7).

Apagado

1. Gire la válvula del tanque de gas PL a la posición "CLOSED" (cerrado).
2. Gire la perilla de control a la posición " 🔼 OFF" (apagado). Nota: es normal escuchar un "puf" cuando se queman los últimos residuos de gas PL.
3. Desconecte el tanque de gas PL según se indica en la sección "Desconexión del tanque de gas PL".

LIMPIEZA Y CUIDADO

⚠ PRECAUCIÓN:

1. La limpieza y el mantenimiento deben realizarse cuando el fogón para exteriores esté frío y con el suministro de combustible desconectado.
2. No limpie ninguna pieza del fogón para exteriores en un horno con autolimpieza, ya que el calor extremo podría dañar el acabado.
3. No agrande los orificios de la válvula ni de los puertos del quemador cuando limpie las válvulas o los quemadores.

Avisos

1. Esta mesa con fogón para exteriores se debe limpiar e inspeccionar minuciosamente de forma periódica.
2. Los limpiadores abrasivos dañarán este producto.
3. NUNCA use un limpiador de horno para limpiar las piezas de esta mesa con fogón para exteriores.

Antes de cada uso:

1. No debe haber materiales inflamables, gasolina ni otros vapores o líquidos inflamables cerca del área de la mesa con fogón para exteriores.
2. No obstruya el flujo de combustión de gas PL y de ventilación de aire.
3. Mantenga despejadas y limpias las aberturas de ventilación del área del tanque de gas PL.
4. Revise las llamas del quemador para asegurarse de que la mesa con fogón para exteriores funcione de manera adecuada (Figura 7).
5. Consulte las instrucciones de limpieza adecuadas a continuación.
6. Revise todas las conexiones de gas para detectar fugas.
7. Revise que los componentes no tengan signos de daños u óxido.
8. Revise si hay obstrucciones en el flujo de aire que va hacia el quemador. Las arañas, los insectos y las telarañas pueden obstruir el tubo de Venturi o del quemador. Un tubo de Venturi o quemador obstruido puede producir un incendio.
9. Si detecta daños en alguno de los componentes, NO use la unidad hasta que se completen las reparaciones.

Limpieza de las superficies

1. Limpie las superficies con detergente para vajilla suave o bicarbonato de sodio mezclado con agua.
2. Para las manchas difíciles, use un limpiador cítrico y un cepillo de nailon.
3. Enjuague con agua.
4. Deje secar al aire.

Antes de almacenar

1. Gire la válvula del tanque de gas PL a la posición "CLOSED" (cerrado).
2. Gire la perilla de control a la posición " 🔼 OFF" (apagado). Nota: es normal escuchar un "puf" cuando se queman los últimos residuos de gas.
3. Desconecte el tanque de gas PL según se indica en la sección "Desconexión del tanque de gas PL".
4. Limpie todas las superficies.
5. Cubra el quemador con una capa delgada de aceite para cocinar para evitar el exceso de óxido.
6. Si almacena la mesa con fogón para exteriores en el interior, cúbrala y almacénela en un lugar seco, lejos del alcance de los niños y las mascotas.
7. Si almacena la mesa con fogón para exteriores en el exterior, cúbrala con la cubierta que se incluye para protegerla del clima.

CUIDADO Y MANTENIMIENTO

Si limpia la cubierta de la mesa con fogón de forma periódica y regular, lo ayudará a conservarla por más tiempo. Cubra la mesa con fogón con la cubierta que se incluye para protegerla del clima.

Recomendamos que almacene la mesa con fogón en el interior durante los meses de invierno.

Si debe almacenarla en el exterior, SIEMPRE debe estar cubierta.

SOLUCIÓN DE PROBLEMAS

Solución de problemas		
Problema	Causa posible	Prevención/solución
El quemador no se enciende al utilizar el encendedor	La válvula del tanque de gas PL está cerrada	Asegúrese de que el regulador esté bien conectado al tanque de gas PL, según la sección "Instalación del tanque de gas PL", y luego gire la válvula del tanque de gas PL a la posición "OPEN"
	El tanque de gas PL tiene poco gas o está vacío	Cambie, rellene o reemplace el tanque de gas PL
	Hay una fuga de gas PL	1. Gire la válvula del tanque de gas PL a la posición "CLOSED" 2. Espere 5 minutos para que se disipe el gas 3. Siga las indicaciones de la sección "Búsqueda de fugas"
	Se debe cambiar la batería	Reemplace la batería "AAA" (siga el paso de ensamblaje para insertar la batería)
	El electrodo y los quemadores están mojados	Seque con un paño
	El electrodo está agrietado o roto: hay chispas en las grietas	Es probable que necesite piezas de repuesto: llame a Servicio al Cliente al 1-800-643-6700
	El cable está suelto o desconectado	Es probable que necesite volver a conectar el cable o piezas de repuesto: llame a Servicio al Cliente al 1-800-643-6700
	El cable está haciendo un cortocircuito (emitiendo chispas) entre el encendedor y el electrodo	Es probable que necesite piezas de repuesto: llame a Servicio al Cliente al 1-800-643-6700
El encendedor está malo	Es probable que necesite piezas de repuesto: llame a Servicio al Cliente al 1-800-643-6700	
El quemador no se enciende al utilizar un fósforo	No hay flujo de gas	Revise si el tanque de gas PL está vacío a. Si está vacío, cambie, rellene o reemplace el tanque de gas PL b. Si el tanque de gas PL no está vacío, consulte la sección "Disminución repentina del flujo de gas o de la altura de la llama" (consulte a continuación)
	El tanque de gas PL tiene poco gas o está vacío	Cambie, rellene o reemplace el tanque de gas PL
	Hay una fuga de gas PL	1. Gire la válvula del tanque de gas PL a la posición "CLOSED" 2. Espere 5 minutos para que se disipe el gas 3. Siga las indicaciones de la sección "Búsqueda de fugas"
	La tuerca de acoplamiento y el regulador no están completamente conectados	Gire la tuerca de acoplamiento entre media y tres cuartos de vuelta adicional aproximadamente hasta que se detenga. Apriete a mano solamente; no use herramientas
	Hay una obstrucción del flujo de gas	1. Limpie el tubo del quemador/tubo de Venturi 2. Revise si la manguera está doblada o torcida
	El quemador está desconectado de la válvula	Vuelva a conectar el quemador y la válvula
	Hay telarañas o nidos de insectos en el tubo del quemador/tubo de Venturi	Limpie el tubo del quemador/tubo de Venturi
Los puertos del quemador están obstruidos o bloqueados	Limpie los puertos del quemador	
Se produce una disminución repentina del flujo de gas o de la altura de la llama	Se agotó el gas.	Cambie, rellene o reemplace el tanque de gas PL
	Podría haberse activado el dispositivo de prevención de sobrellenado	1. Gire la perilla de control a la posición "OFF" 2. Espere 30 segundos y encienda la chimenea para exteriores, según las indicaciones de la sección "Encendido" 3. Si las llamas siguen demasiado bajas, restablezca el dispositivo de prevención de sobrellenado: a. Gire las perillas de control a la posición "OFF" b. Gire la válvula del tanque de gas PL a la posición "CLOSED" c. Desconecte el regulador d. Gire las perillas de control a la posición (ON) e. Espere un minuto f. Gire las perillas de control a la posición "OFF" g. Vuelva a conectar el regulador y revise si las conexiones tienen fugas, teniendo cuidado de no abrir por completo la válvula h. Encienda la chimenea para exteriores, según las indicaciones de la sección "Encendido"
El patrón de la llama es irregular; la llama no cubre la longitud completa del quemador	Los puertos del quemador están obstruidos o bloqueados	Limpie los puertos del quemador
La llama es amarilla o anaranjada	El quemador nuevo podría tener aceites residuales de la fabricación	Deje funcionar la chimenea para exteriores por 15 minutos y vuelva a inspeccionarla
	Hay telarañas o nidos de insectos en el tubo del quemador/tubo de Venturi	Limpie el tubo del quemador/tubo de Venturi
	La alineación de la válvula hacia el tubo del quemador/tubo de Venturi es deficiente	Asegúrese de que el tubo del quemador/tubo de Venturi esté conectado correctamente a la válvula
La llama se apaga	Hay viento fuerte o ráfagas de viento	No utilice la chimenea para exteriores si hay viento fuerte
	No hay suficiente gas PL	Cambie, rellene o reemplace el tanque de gas PL
	Se activó la válvula de exceso de flujo	Consulte "Disminución repentina del flujo de gas o de la altura de la llama"
Hay un retroceso de llamas (fuego en los tubos del quemador/tubos de Venturi)	El quemador o el tubo del quemador/tubo de Venturi está bloqueado	Limpie el quemador o el tubo del quemador/tubo de Venturi
Las llamas parecen perder calor durante climas fríos (temperatura inferior a 10 °C [50 °F]).	Se ha acumulado hielo en la parte exterior de tanque de gas PL debido a que el proceso de vaporización es demasiado lento.	1. Apague el electrodoméstico, según se indica en la sección "Apagado" 2. Reemplace con un tanque de gas PL nuevo 3. Vuelva a conectar el tanque de gas PL, según se indica en la sección "Instalación del tanque de gas PL" 4. Siga las indicaciones de la sección "Búsqueda de fugas" 5. Encienda la chimenea para exteriores, según las indicaciones de la sección "Encendido"

Si tiene preguntas o problemas, puede llamar al Departamento de Servicio al Cliente al 1-800-643-6700, de lunes a viernes de 8 a.m. a 8 p.m., hora estándar del Este.

UN AÑO DE GARANTÍA LIMITADA

Garantizamos al comprador y usuario final original que todos los componentes de este producto estarán libres de defectos de fabricación y en los materiales durante un (1) año desde la fecha de compra original. Si, durante el período de vigencia establecido de la garantía, el producto presentara defectos en el material o o en la mano de obra, el comprador debe ponerse en contacto con el Departamento de Servicio al Cliente del fabricante por teléfono al 1-800-643-0067.

El fabricante, a su elección, reparará o reemplazará las piezas defectuosas. Se proporcionarán repuestos para cualquier pieza defectuosa sin costo de instalación para el consumidor. Esta garantía estará vigente desde la fecha de compra indicada en el recibo del comprador.

Esta garantía solo es válida para el comprador y usuario final original y excluye la cobertura por uso industrial o comercial del producto, el daño al producto debido al envío o fallas a causa de alteración, abuso o uso incorrecto del producto, ya sea ocasionado por un contratista, una empresa de servicios o el consumidor. No somos responsables por los costos o los daños incurridos durante la instalación, reparación o reemplazo, ni tampoco por los daños especiales, accidentales o resultantes, entre los que se incluyen, entre otros, la pérdida de uso, la pérdida de ingresos o la pérdida de ganancias de hecho o previstas. Esta garantía no se aplica a: (a) las piezas de consumo, como las baterías o el revestimiento protector que están diseñados para desgastarse con el tiempo, a menos que se haya producido una falla a causa de un defecto en los materiales o en la mano de obra; (b) los daños superficiales, entre los que se incluyen, entre otros, los arañazos, las abolladuras y los materiales rotos, a menos que la falla se produzca debido a un defecto en los materiales o la mano de obra; (c) los daños causados por el uso de un material o un producto externo que no cumpla con las especificaciones del fabricante del producto; (d) los daños causados por accidentes, abuso o mal uso; (e) los daños causados por la utilización del producto de manera distinta a lo que se indica en los manuales del usuario; o (f) los productos modificados para alterar su funcionalidad o capacidad. Esta garantía le otorga derechos legales específicos, pero podría tener también otros derechos que varían según el estado. Debido a que algunos estados no permiten exclusiones o limitaciones en una garantía implícita, las exclusiones y limitaciones anteriores pueden no aplicarse.

REGISTRO DEL PRODUCTO

Para obtener un servicio de garantía más rápido, registre su producto de inmediato. Llame al 1-800-643-0067.

PIEZAS DE REPUESTO

Para obtener piezas de repuesto, llame al Departamento de Servicio al Cliente al 1-800-643-0067, de lunes a viernes de 8 a.m. a 8 p.m., hora estándar del Este.

PIEZA	DESCRIPCIÓN	PIEZA #	PIEZA	DESCRIPCIÓN	PIEZA #
1	Cubierta de mesa	1260934-1	17	Perilla de control	1260934-17
2	Pata de la mesa A	1260934-2	18	Ensamble del regulador /manguera x 1	1260934-18
3	Pata de la mesa B	1260934-3	AA	Perno M6x15	1260934-AA
4	Pata de la mesa C	1260934-4	BB	Perno	1260934-BB
5	Pata de la mesa D	1260934-5	CC	Arandela ϕ 17	1260934-CC
6	Panel lateral A	1260934-6	DD	Llave Allen	1260934-DD
7	Panel lateral B	1260934-7			
8	Base del tanque	1260934-8			
9	Barrera de gas	1260934-9			
10	Rocas de lava	1260934-10			
11	Batería	1260934-11			
12	Cubierta de poliéster	1260934-12			
13	Tazón inferior	1260934-13			
14	Anillo de combustión	1260934-14			
15	Carcasa del piloto	1260934-15			
16	Encendedor eléctrico manual	1260934-16			

