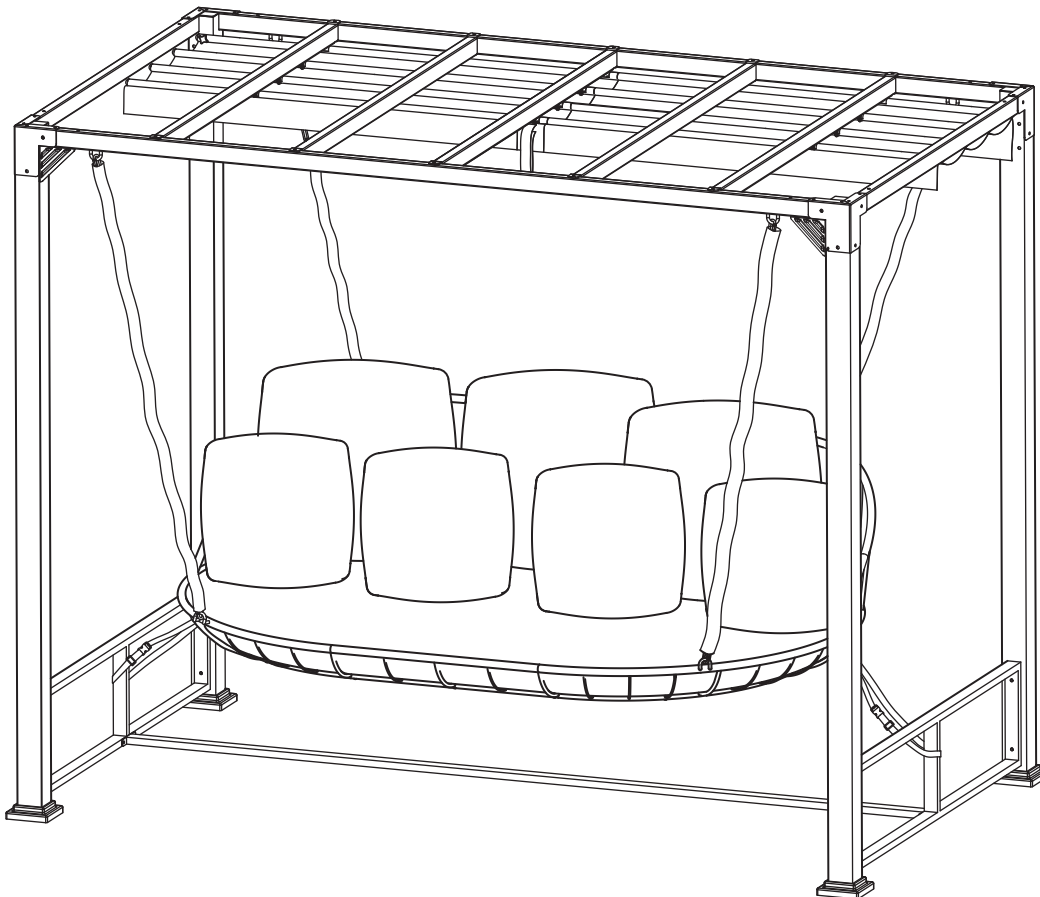


HAMPTON BAY[®]

USE AND CARE GUIDE

SWING WITH CANOPY



Questions, problems, missing parts? Before returning to the store,
call Hampton Bay Customer Service
8 a.m. - 7 p.m., EST, Monday – Friday, 9 a.m. – 6 p.m., EST, Saturday

01-800-00-46633

HOMEDEPOT.COM.MX

THANK YOU


We appreciate the trust and confidence you have placed in Hampton Bay through the purchase of this swing. We strive to continually create quality products designed to enhance your home. Visit us online to see our full line of products available for your home improvement needs. Thank you for choosing Hampton Bay!


Table of Contents

Table of Contents	2	Pre-Assembly	3
Important Safety Instructions	2	Planning Assembly	3
Save These Instructions	2	Hardware Included	3
Read All Instructions Befor Use	2	Package Contents	4
Warranty	3	Assembly	5
What is covered	3	Care and Cleaning	12
What is not covered	3		

Important Safety Instructions

SAVE THESE INSTRUCTIONS


 **WARNING:** THIS SWING WAS MADE FOR THE EXPLICIT PURPOSE OF PROVIDING OUTDOOR FUNCTIONS AND IS NOT TO BE USED AS A TOY. THIS PRODUCT IS INTENDED FOR NORMAL OUTDOOR USE; HOWEVER, THE MANUFACTURER RECOMMENDS STORING AND/OR COVERING THIS PRODUCT WHEN ANY FORMIDABLE/SEVERE WEATHER IS APPROACHING.

 **WARNING:** DO NOT LOCATE THIS PRODUCT NEAR OPEN FLAMES. DO NOT USE THIS PRODUCT AS A SUPPORT. DO NOT SHAKE, LEAN OR CLIMB ON THE PRODUCT. CHILDREN UNDER THE AGE OF 10, NEAR THE PRODUCT, SHOULD BE SUPERVISED BY A COMPETENT ADULT AT ALL TIMES. THIS PRODUCT IS NOT INTENDED FOR COMMERCIAL USE AND WILL VOID THE WARRANTY.


READ ALL INSTRUCTIONS BEFORE USE


To reduce the risk of injury to persons:

1. Close supervision is necessary when this furnishing is used by or near children, or disabled persons, if applicable.
2. Use this furnishing only for its intended use as described in these instructions. Do not use attachments not recommended by the manufacturer.
3. Do not move the swing while it is occupied. Failure to obey this caution could result in injury.
4. This swing must be used with the stand provided.


 **CAUTION:** When not in use, secure the product in a cool and covered location.


 **CAUTION:** Do not locate the product near any heat sources.

 **WARNING:** Please keep children out of the assembly area before assembly.

 **WARNING:** This swing unit is heavy, and may require two adults for safe assembly.

 **WARNING:** The weight limit for this swing is 250 lbs (113.39 kg) for each seat.

 **WARNING:** Never use this product as a support. Do not shake, lean, or climb on the product at any time.

 **WARNING:** Do not place heavy objects on the swing.

Warranty

1 YEAR FRAME AND 1 YEAR FABRIC LIMITED WARRANTY

WHAT IS COVERED

We warrant the frames to be free of manufacturing defects to the original purchaser for one year, and a one year limited warranty for the fabric.

WHAT IS NOT COVERED

It remains the customer's responsibility for freight and packaging charges to and from our service center. This warranty does not cover commercial use, hardware, acts of nature, fire, freezing and abusive use. In addition, purchased parts are not covered under this warranty. We reserve the right to make substitutions with similar merchandise, if the model in question is no longer in production.

Contact the Customer Service Team at 01-800-00-46633 or visit www.HOMEDEPOT.com.mx.

Pre-Assembly

PLANNING ASSEMBLY

Read all instructions before assembly.

To avoid damaging this product, assemble it on a soft, non-abrasive surface such as carpet or cardboard.



NOTE: More than one person may be required to assemble this product.

HARDWARE INCLUDED



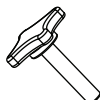
NOTE: Hardware not shown to actual size.



AA



BB



CC

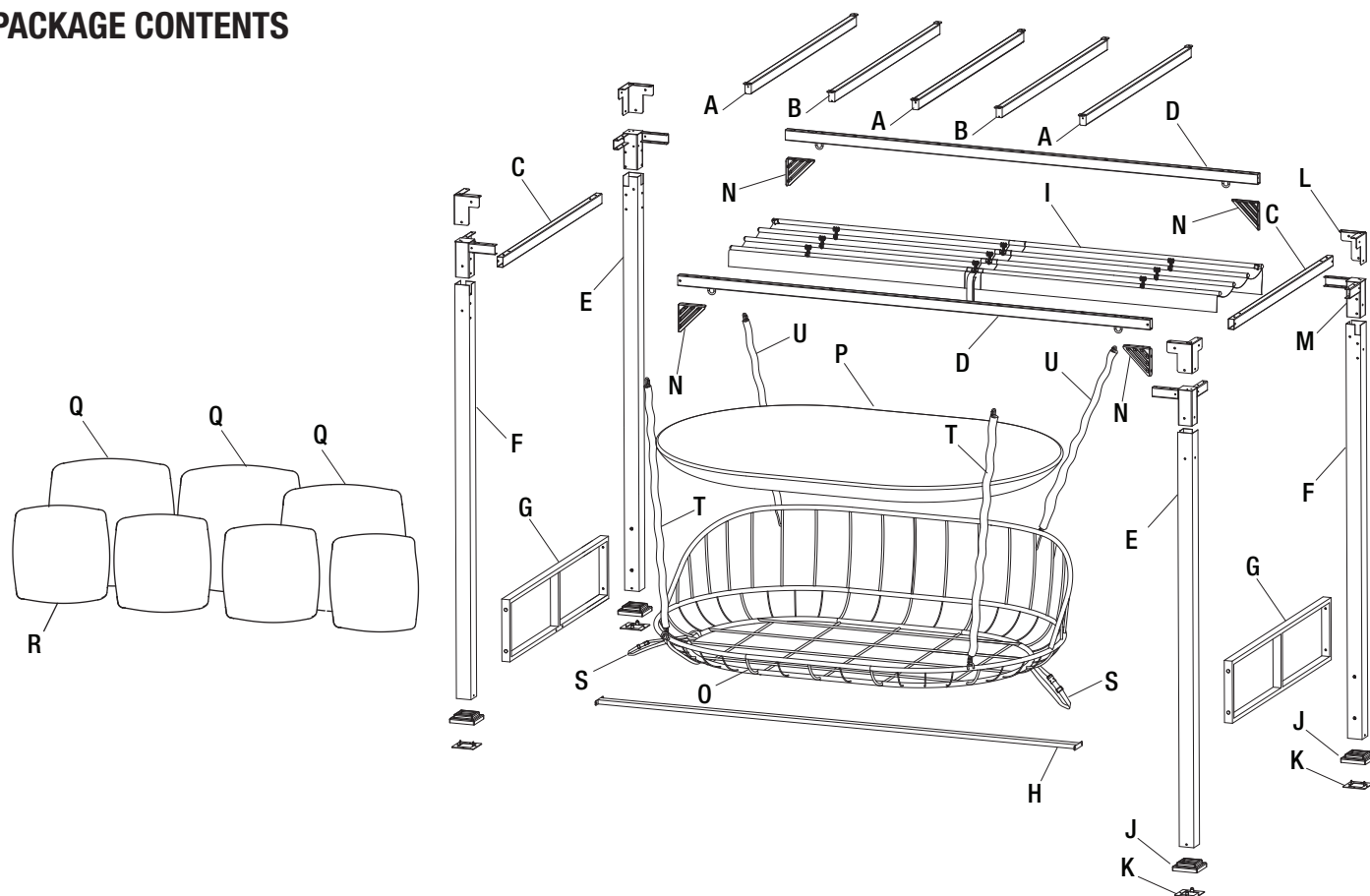


DD

Part	Description	Quantity
AA	M6x15 Combination Bolt	94+1
BB	M6x30 Combination Bolt	8+1
CC	Hand Knob	2
DD	Hex Wrench	1

Pre-Assembly (continued)

PACKAGE CONTENTS

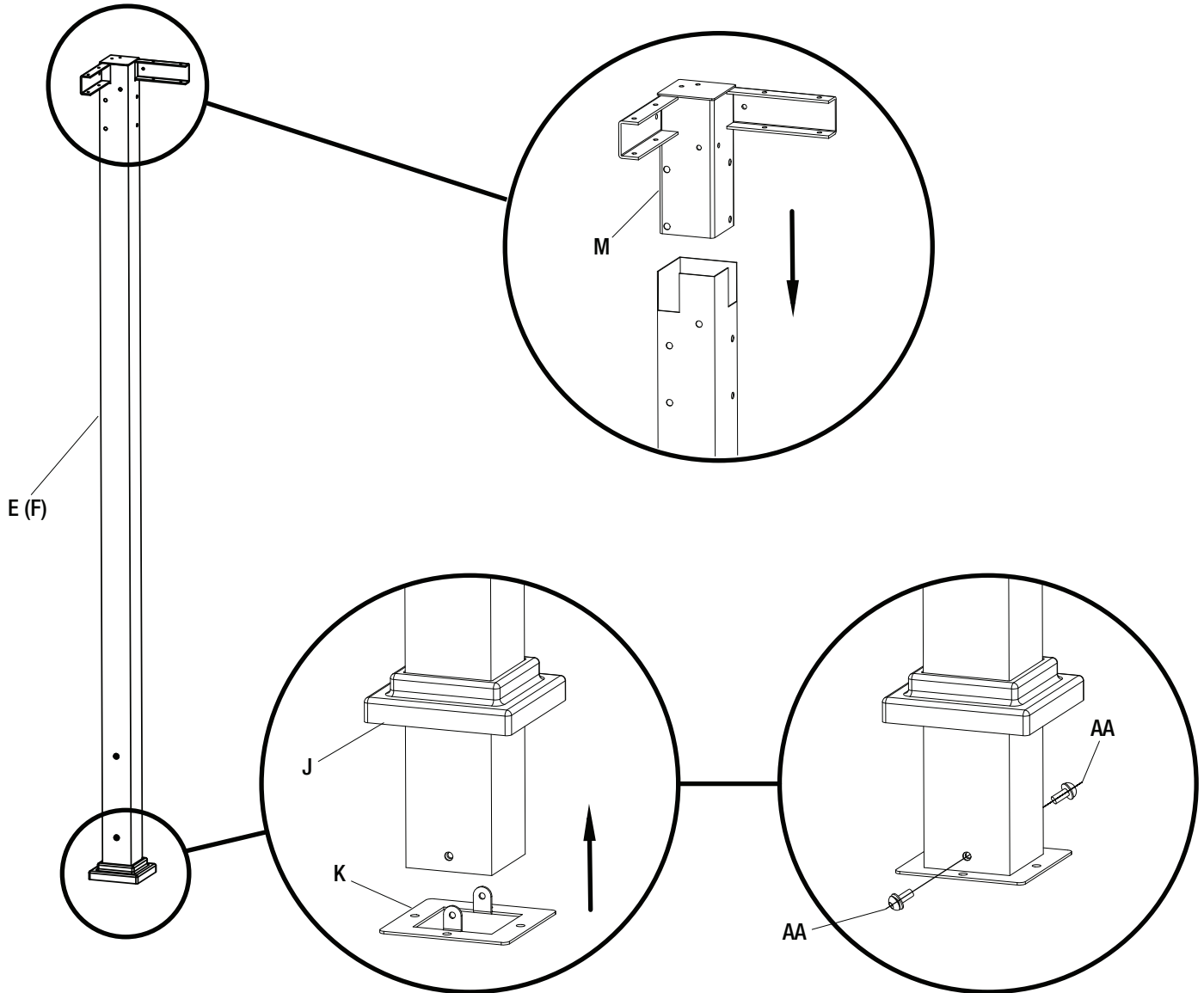


Part	Description	Quantity
A	Top Bar with Side Groove	3
B	Top Bar	2
C	Side Top Bar	2
D	Connector Top Bar	2
E	Post 1	2
F	Post 2	2
G	Side Panel	2
H	Support Bar	1
I	Canopy with Tube and Wheel	1
J	Post Base Cap	4
K	Post Base Plate	4
L	Corner Decorator	4
M	Corner Connector Part	4
N	Corner Support Part	4
O	Swing Seat (Part S - Safety Rope, Part U - Short Chain, Part T - Longer Chain)	1
P	Seat Cushion	1
Q	Big Pillow	3
R	Small Pillow	4

Assembly

1 Attaching The Post Base Cap And The Post Base Plate To The Post

- Attach the post base caps (J) and the post base plates (K) to the posts (E&F) using M6x15 Combination Bolts (AA).
- Fully tighten the bolts using the hex wrench (DD).
- Insert the corner connector parts (M) into the posts (E&F).



Assembly (continued)

2 Attaching The Side Top Bar And The Side Panel To The Assembled Post

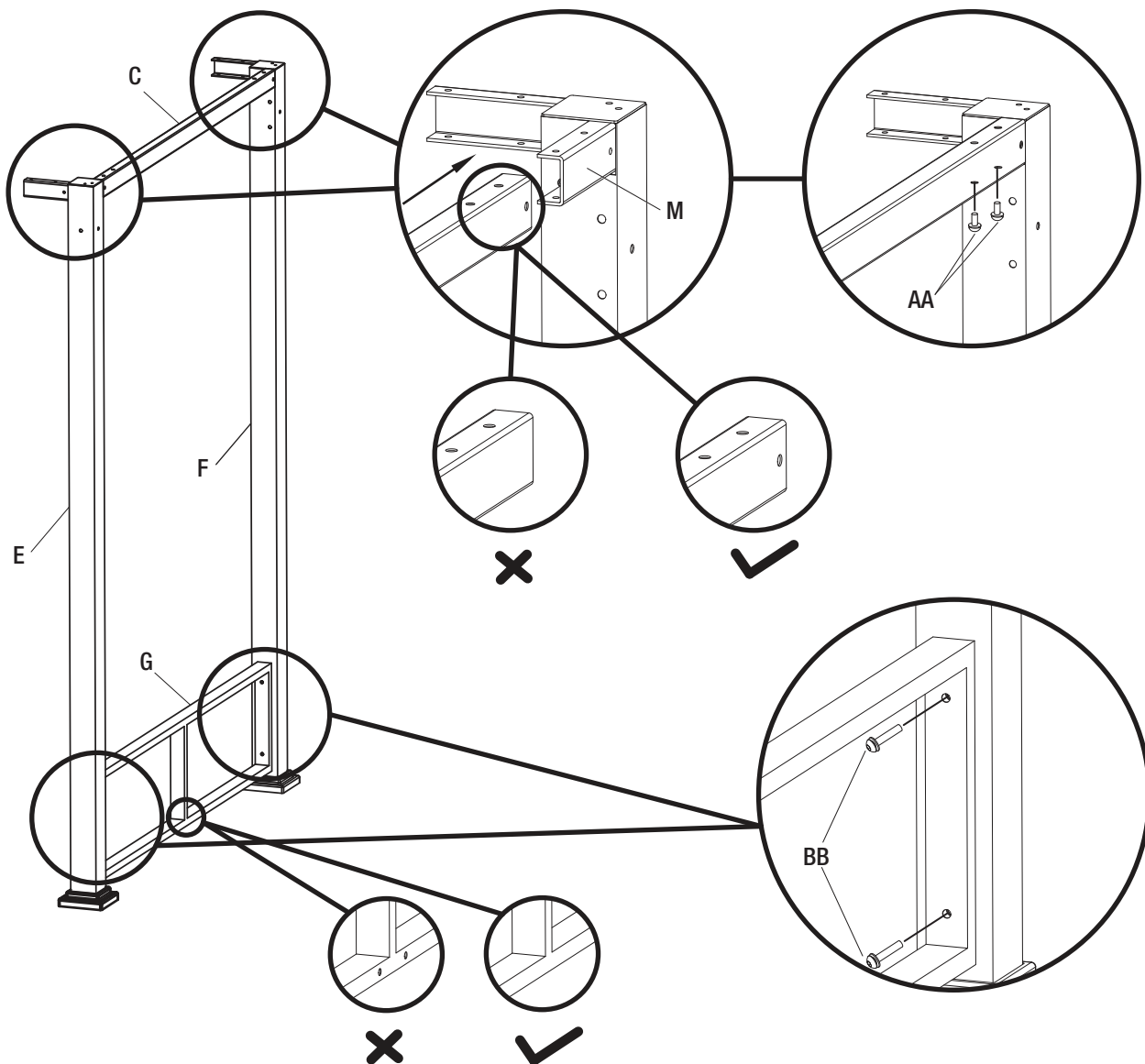
- Insert the side top bar (C) to the corner connector parts (M) which are on the assembled posts (E&F), align with the holes and secure by using M6x15 combination bolts (AA).
- Attach the side panel (G) to the assembled posts (E&F) using M6x30 combination bolts (BB).
- Repeat this step to assemble the other group assembled posts (E&F).
- Do not tighten the bolts at this step.



NOTE: Loosely tighten all the bolts using the hex wrench (DD).



NOTE: Make sure that the screw holes are facing the side top bar (C) and the side panel (G) as shown in picture below.



Assembly (continued)

3 Attaching The Connector Top Bar To The Corner Connector Part, Attaching The Support Bar To The Side Panel

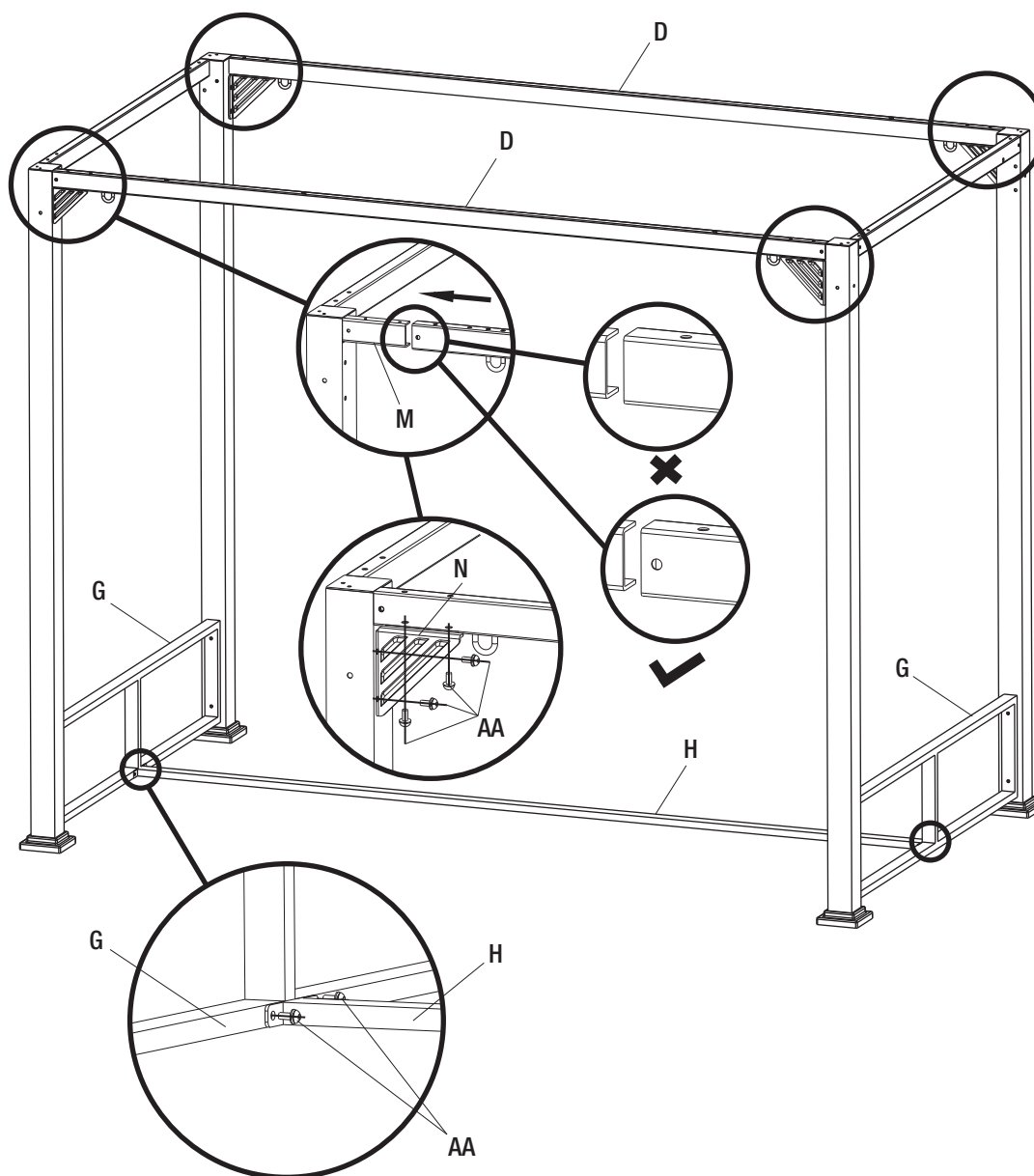
- Insert the connector top bars (D) into the corner connector parts (M) as shown below. Attach the corner support parts (N) to the corner connector parts (M) by using M6x15 combination bolts (AA).
- Attach the support bar (H) to the side panels (G) using M6x15 combination bolts (AA) as shown below.
- Do not tighten the bolts at this step.



NOTE: Loosley tighten all the bolts using the hex wrench (DD).



NOTE: Make sure that the screw holes on the connector top bar (D) and the corner support bar (M) face out as shown in below picture.



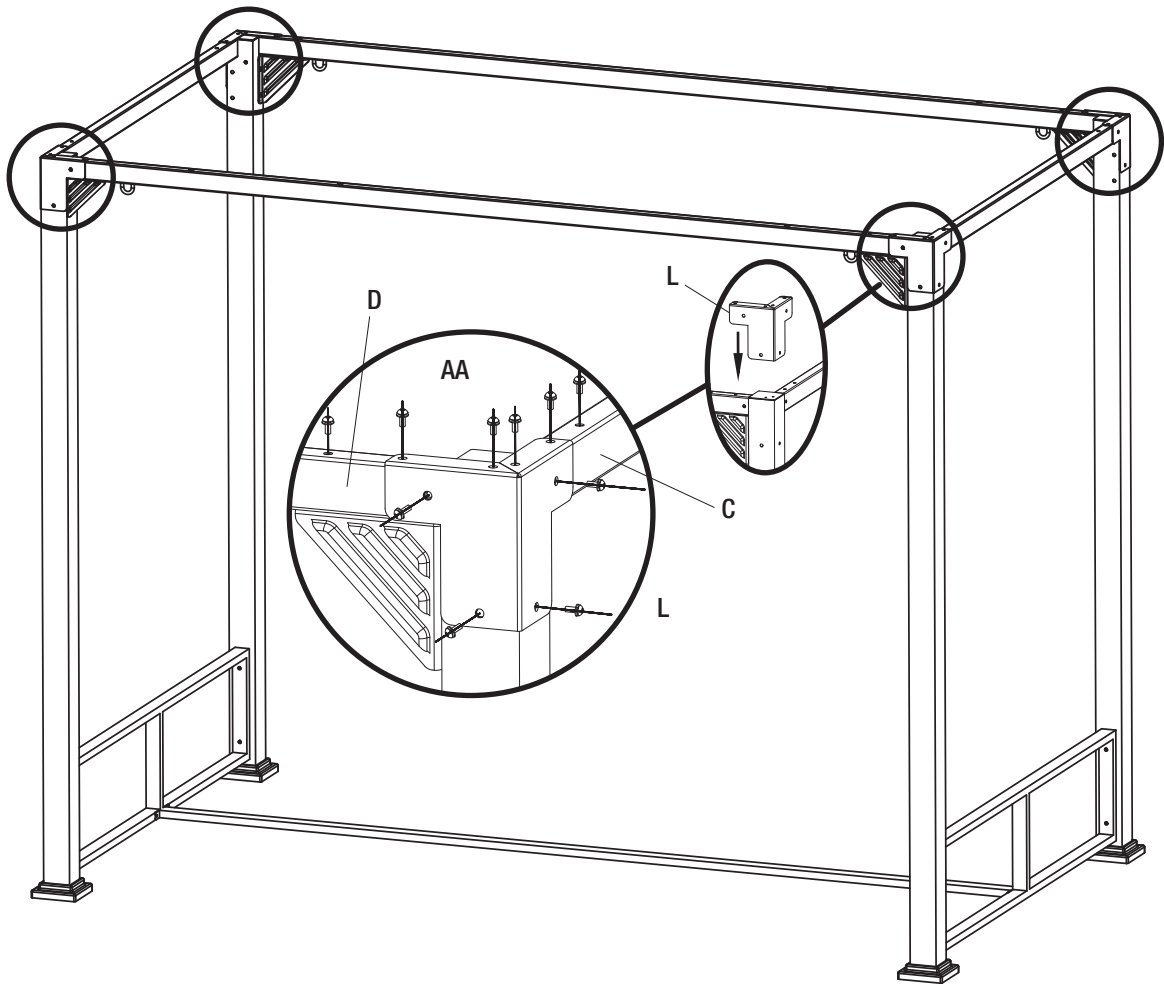
Assembly (continued)

4 Attaching The Corner Decorator, Side Top Bar, And Connector Top Bar To The Assembled Frame

- Attach the corner decorators (L), side top bar (C) and the connector top bar (D) to the assembled frame using M6x15 combination bolts (AA) as shown below.
- Do not tighten the bolts at this step.



NOTE: Loosley tighten all the bolts using the hex wrench (DD).



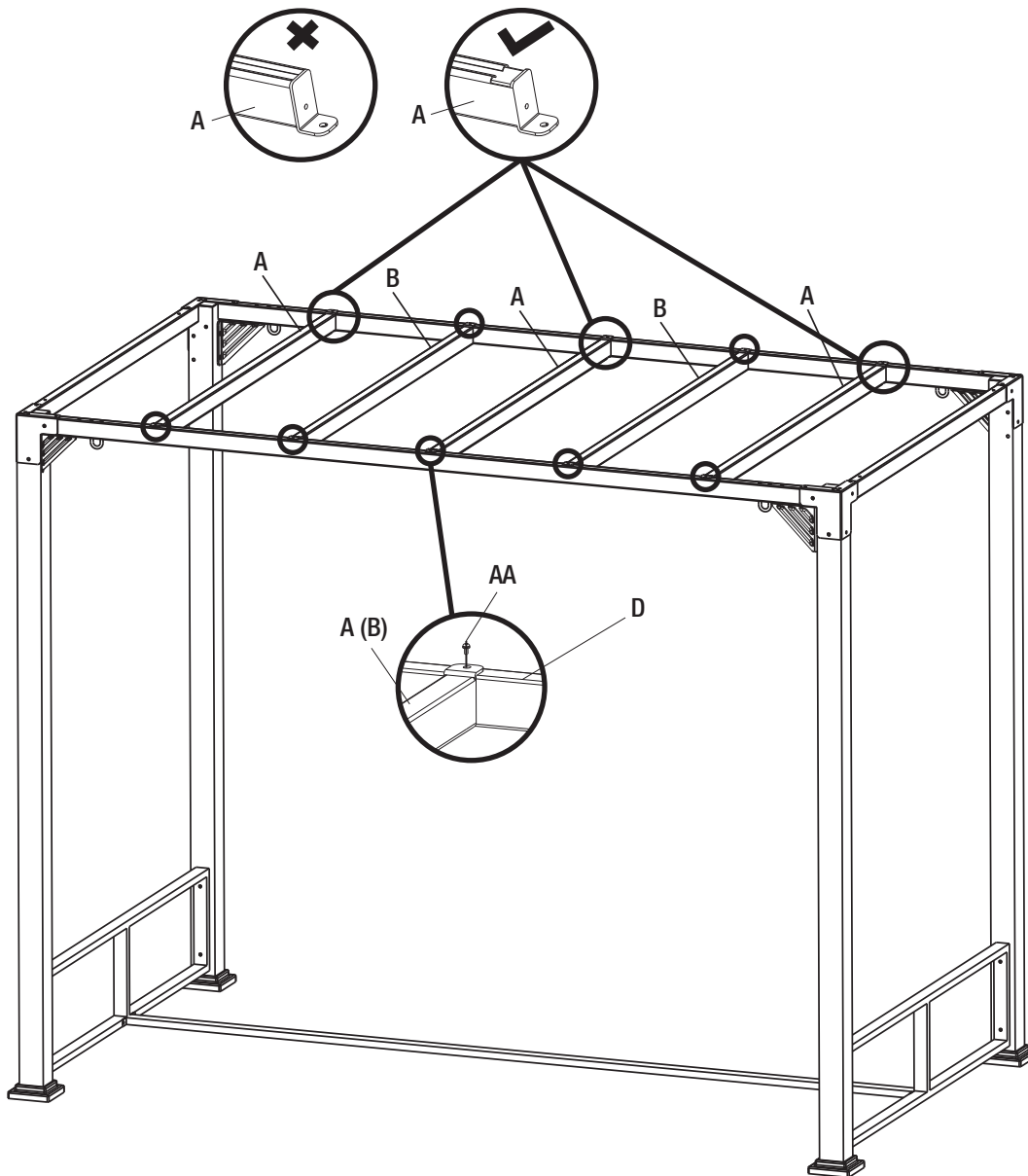
Assembly (continued)

5 Attaching The Top Bar With Slide Groove And The Top Bar To The Connector Top Bars

- Attach the top bars with slide groove (A) to the connector top bars (D) using M6x15 combination bolts(AA).
- Attach the top bars (B) to the connector top bars (D) using M6x15 combination bolts(AA).
- Once all bolts are in place, fully tighten all the bolts using the hex wrench (DD).



NOTE: The end of one side of the top bars with slide groove (A) has a gap which is for the canopy wheel entrance. Make sure that the facing of the gap of the top bars with slide groove (A) is kept the same on one side.



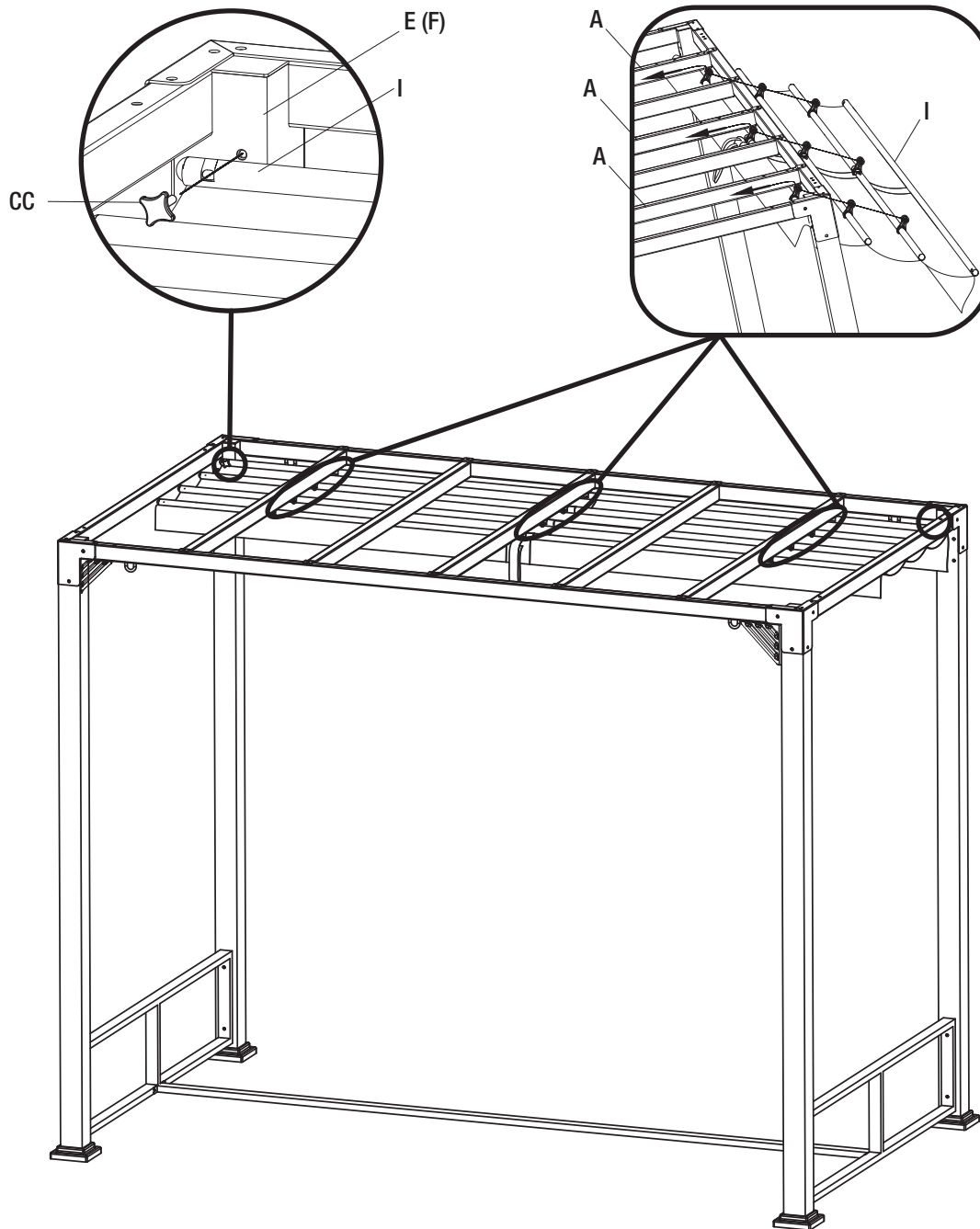
Assembly (continued)

6 Attaching The Canopy With Tube And Wheel To The Assembled Frame

- Slide the wheels of the canopy with tube and wheel (I) into the top bars with slide groove (A) one by one as shown below.
- Secure the canopy with tube and wheel (I) to the posts (E&F) using the hand knob (CC) in a clockwise direction as shown below.



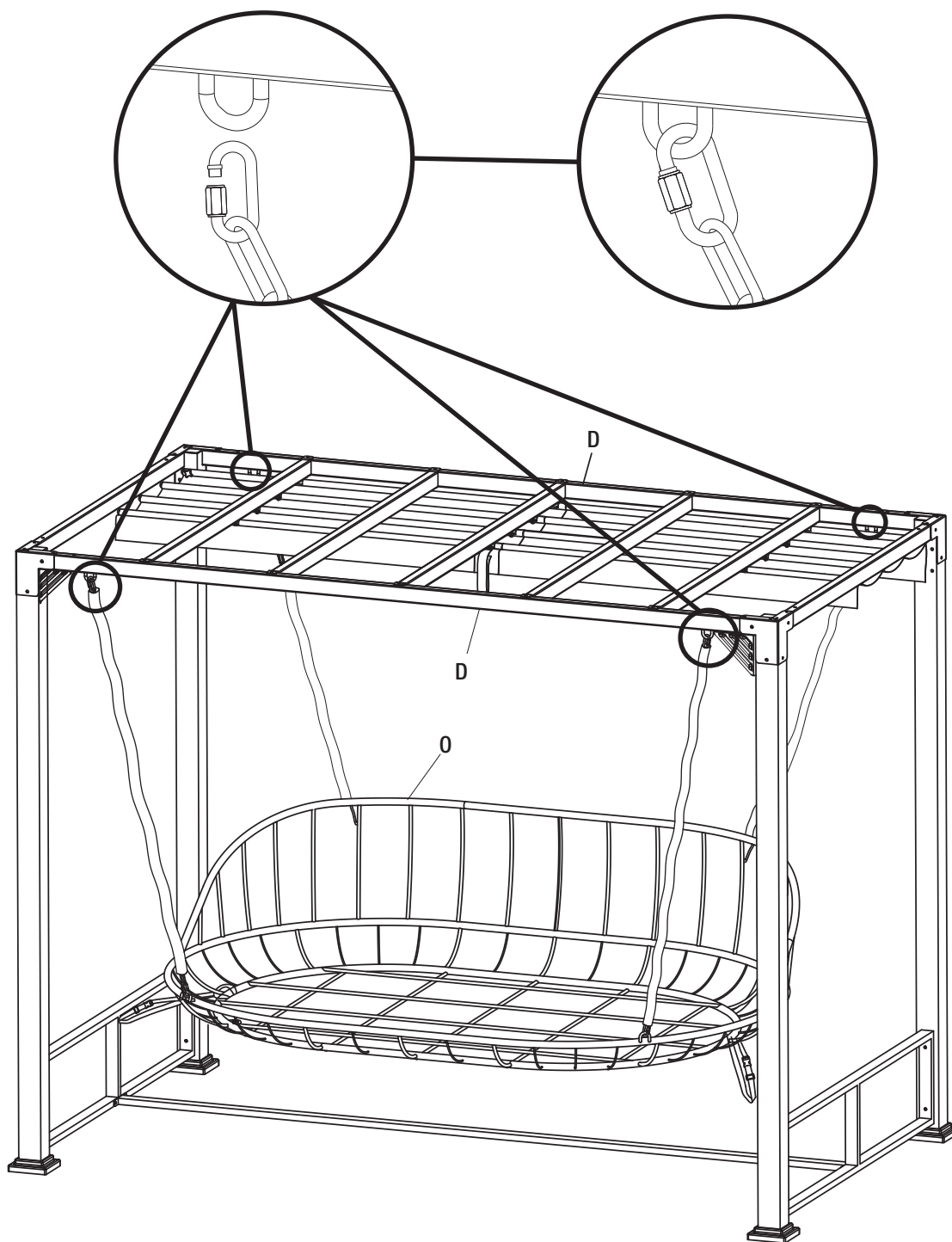
NOTE: Make sure that the pulling rope of the canopy with tube and wheel (I) face forwards.



Assembly (continued)

7 Hanging The Swing Seat To The Assembled Swing Frame

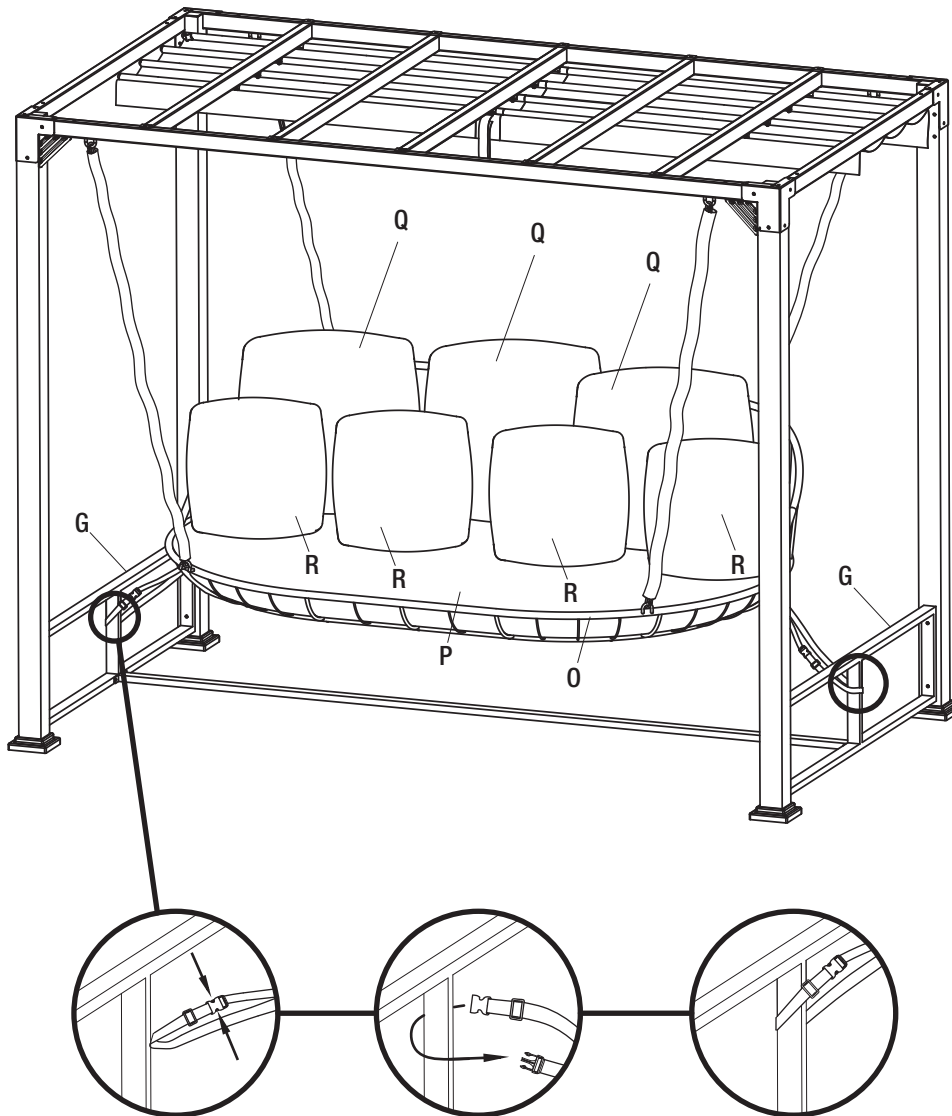
- Open the chain (U&T) loop of the swing seat (O) top in the clockwise direction.
- Hang the swing seat (O) to the connector top bar (D) and close the connector ring in the counterclockwise direction.



Assembly (continued)

8 Tie The Safety Rope And Place The Cushion And The Pillow On The Swing

- Open the safety rope (S) on both sides of the swing seat (O), and fasten them through the side panels (G).
- Place the seat cushion (P), the big pillows (Q) and the small pillows (R) on the swing seat (O).
- Ensure that all connections are secure before use.



Care and Cleaning

- For best results, clean the frame and cushions with a damp cloth and dry thoroughly. This will help prevent mildew by removing dirt particles that may accumulate.
- Do not clean with abrasive materials, bleach or solvents.
- Store the swing in a dry sheltered place when not in use.
- Keep the swing away from fire, extreme heat, freezing conditions, and inclement weather such as rain, hail, sleet, snow, or wind.

HAMPTON BAY[®]

Questions, problems, missing parts? Before returning to the store,
call Hampton Bay Customer Service
8 a.m. – 7 p.m., EST, Monday – Friday, 9 a.m. – 6 p.m., EST, Saturday

01-800-00-46633

HOMEDEPOT.COM.MX

Retain this manual for future use.

For certification use only
Factory ID# GSM00340A

IMPORTER: SERVICES HOME DEPOT S. DE R.L. DE C.V.
Ricardo Margain 605, Col. Santa Engracia, San Pedro Garza García,
Nuevo León, México C.P. 66267 TELEPHONE: 01800-00-46633