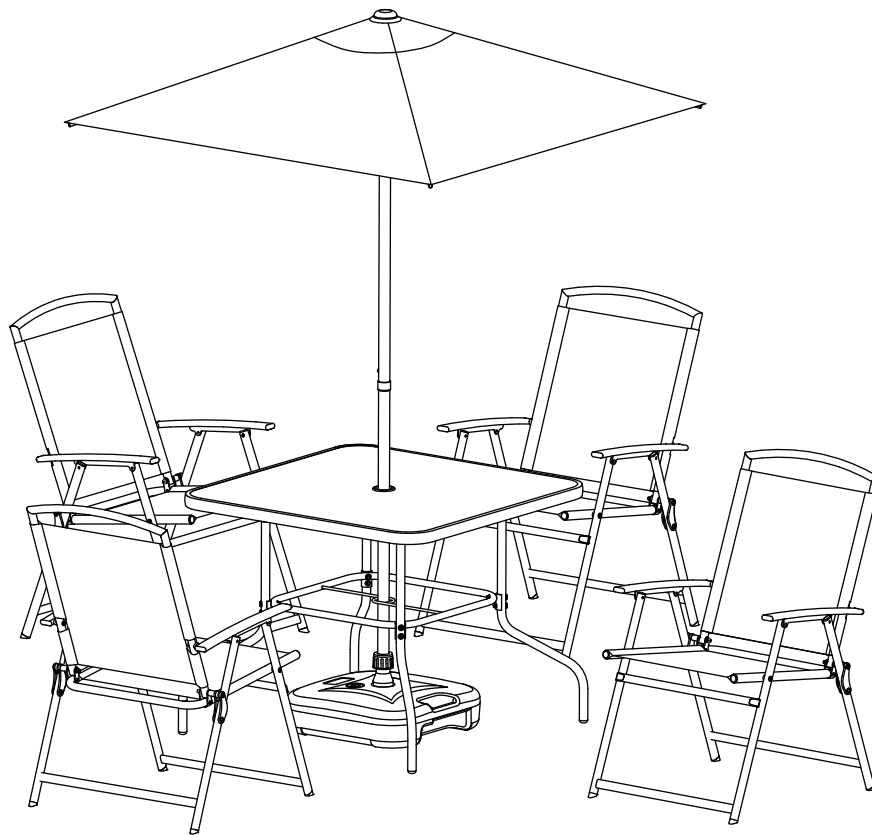


HAMPTON BAY®

USE AND CARE GUIDE

7PC FOLDING DINING SET



Questions, problems, missing parts? Before returning to the store,
call Hampton Bay Customer Service
8 a.m. - 7 p.m., EST, Monday – Friday, 9 a.m. – 6 p.m., EST, Saturday

01-800-00-46633

HOMEDPOT.COM.MX

THANK YOU



We appreciate the trust and confidence you have placed in Hampton Bay through the purchase of this set. We strive to continually create quality products designed to enhance your home. Visit us online to see our full line of products available for your home improvement needs. Thank you for choosing Hampton Bay!

Table of Contents

Table of Contents	2	Hardware Included	4
Important Safety Instructions	2	Table Package Contents	4
Save These Instructions	2	Umbrella Package Contents	5
Read All Instructions Before Use	2	Umbrella Base Package Contents	5
Warranty	3	Table Assembly	6
What is covered	3	Umbrella Assembly	8
What is not covered	3	Umbrella Base Assembly	9
Pre-Assembly	3	Umbrella Operation	11
Planning Assembly	3	Umbrella Base Operation	12
		Care and Cleaning	13

Important Safety Instructions


SAVE THESE INSTRUCTIONS




-  **WARNING:** THIS SET WAS MADE FOR THE EXPLICIT PURPOSE OF PROVIDING OUTDOOR FUNCTIONS AND IS NOT TO BE USED AS A TOY. THIS PRODUCT IS INTENDED FOR NORMAL OUTDOOR USE; HOWEVER, THE MANUFACTURER RECOMMENDS STORING AND/OR COVERING THIS PRODUCT WHEN ANY FORMIDABLE/SEVERE WEATHER IS APPROACHING.
-  **WARNING:** DO NOT LOCATE THIS PRODUCT NEAR OPEN FLAMES. DO NOT USE THIS PRODUCT AS A SUPPORT. DO NOT SHAKE, LEAN OR CLIMB ON THE PRODUCT. CHILDREN UNDER THE AGE OF 10, NEAR THE PRODUCT, SHOULD BE SUPERVISED BY A COMPETENT ADULT AT ALL TIMES. THIS PRODUCT IS NOT INTENDED FOR COMMERCIAL USE AND WILL VOID THE WARRANTY.

READ ALL INSTRUCTIONS BEFORE USE

To reduce the risk of injury to persons:

1. Close supervision is necessary when this furnishing is used by or near children, or disabled persons, if applicable.
2. Use this furnishing only for its intended use as described in these instructions. Do not use attachments not recommended by the manufacturer.
3. Do not move the table while it in use. Failure to obey this caution could result in injury.
4. This table is not intended to support an umbrella. Umbrellas must have a suitable base or stand.

-  **CAUTION:** When not in use, secure the product in a cool and covered location.
-  **CAUTION:** Keep all flame and heat sources away from this product at all times.
-  **CAUTION:** Always close and secure the product when not in use.
-  **CAUTION:** Umbrella should not be used in the event of wind, rain, hail, sleet, snow or any other inclement weather.
-  **WARNING:** Do not place heavy objects on the table top.
-  **WARNING:** This table unit is heavy, and may require two adults for safe assembly.
-  **WARNING:** This is not a free-standing base. This base must be used with a matching table.
-  **WARNING:** Use a minimum 25 lb umbrella base at the table with your umbrella

-  **WARNING:** Please keep children out of the assembly area before assembly.
-  **WARNING:** Never use this product as a support. Do not shake, lean, or climb on the product at any time.
-  **WARNING:** Plastic rings should always be installed in the center of the umbrella tables.

Warranty

1 YEAR FRAME AND FABRIC LIMITED WARRANTY

WHAT IS COVERED

We warrant the frame to be free of manufacturing defects to the original purchaser for one year, and the fabric to have a one year limited warranty.

WHAT IS NOT COVERED

It remains the customer's responsibility for freight and packaging charges to and from our service center. This warranty does not cover commercial use, hardware, acts of nature, fire, freezing and abusive use. In addition, purchased parts are not covered under this warranty. We reserve the right to make substitutions with similar merchandise, if the model in question is no longer in production.

Contact the Customer Service Team at 01-800-00-46633 or visit www.HOMEDEPOT.com.mx.

Pre-Assembly

PLANNING ASSEMBLY

Read all instructions before assembly.

To avoid damaging this product, assemble it on a soft, non-abrasive surface such as carpet or cardboard.



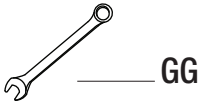
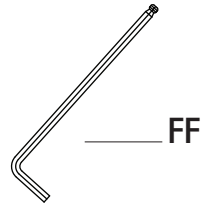
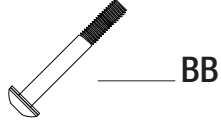
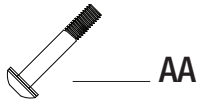
NOTE: More than one person may be required to assemble this product.

Pre-Assembly (continued)

HARDWARE INCLUDED

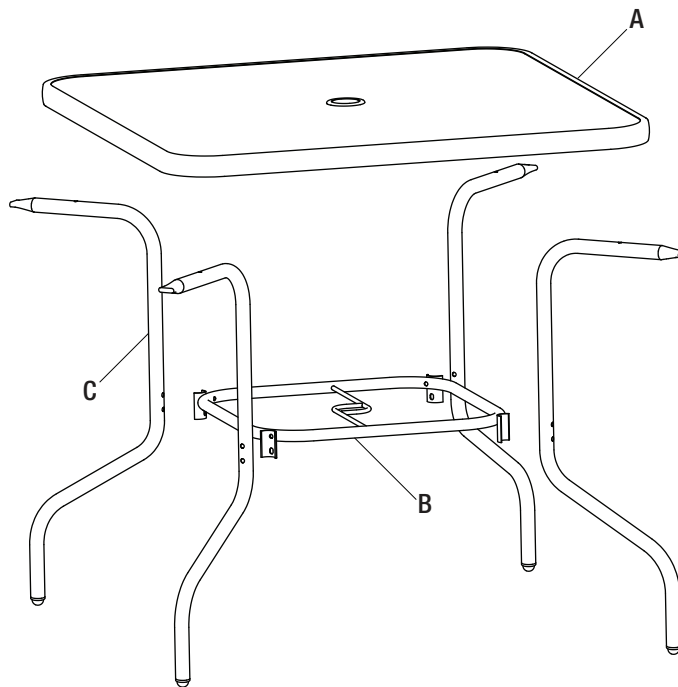


NOTE: Hardware not shown to actual size.



Part	Description	Quantity
AA	M6X38 combination bolt	4+1
BB	M6x55 combination bolt	4+1
CC	Self-Tapping Screw	4+1
DD	M6 Nut	8+1
EE	M6 Washer	8+1
FF	Hex Wrench	1
GG	Wrench	1

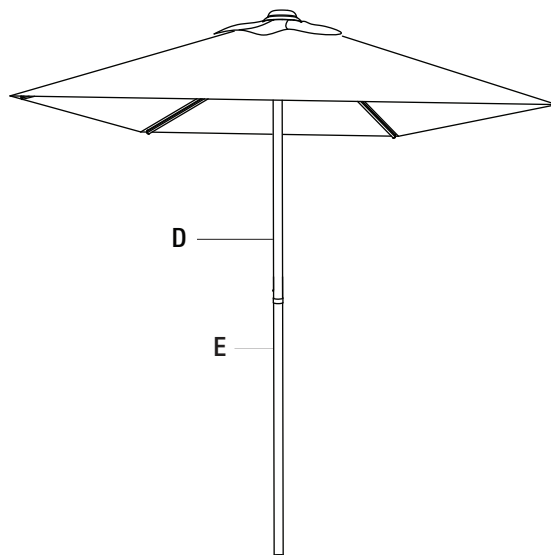
TABLE PACKAGE CONTENTS



Part	Description	Quantity
A	Table Top	1
B	Leg Connector	1
C	Table Leg	4

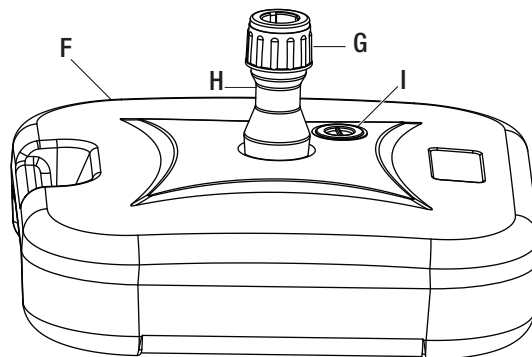
Pre-Assembly (continued)

UMBRELLA PACKAGE CONTENTS



Part	Description	Quantity
D	Umbrella Shade	1
E	Umbrella Pole	1

UMBRELLA BASE PACKAGE CONTENTS

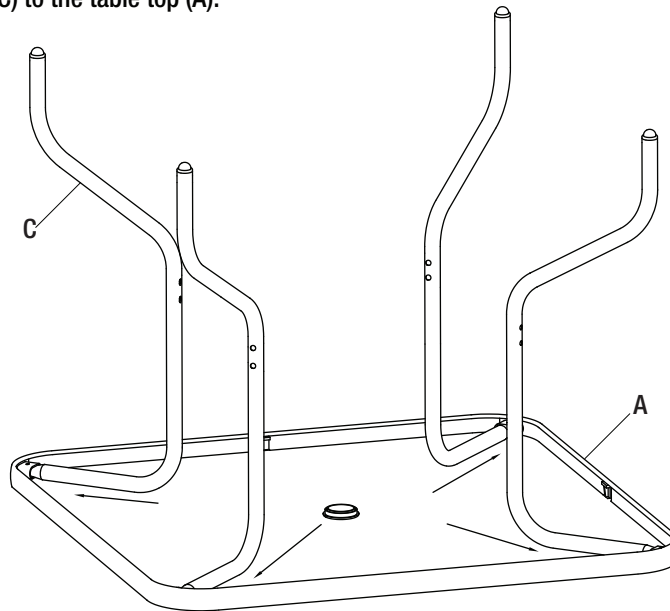


Part	Description	Quantity
F	Base	1
G	Cap	1
H	Pole	1
I	Cover	1

Table Assembly

1 Connecting The Table Legs

- Place the table top (A) upside down on a soft surface.
- Attach the four table legs (C) to the table top (A).



2 Attaching The Leg Connector To The Table Legs

- Attach the leg connector (B) to the table legs (C) using M6X38 combination bolts (AA), M6x55 combination bolts (BB), M6 washers (EE), and M6 nuts (DD).



NOTE: Loosley tighten all the bolts using hex wrench (FF).

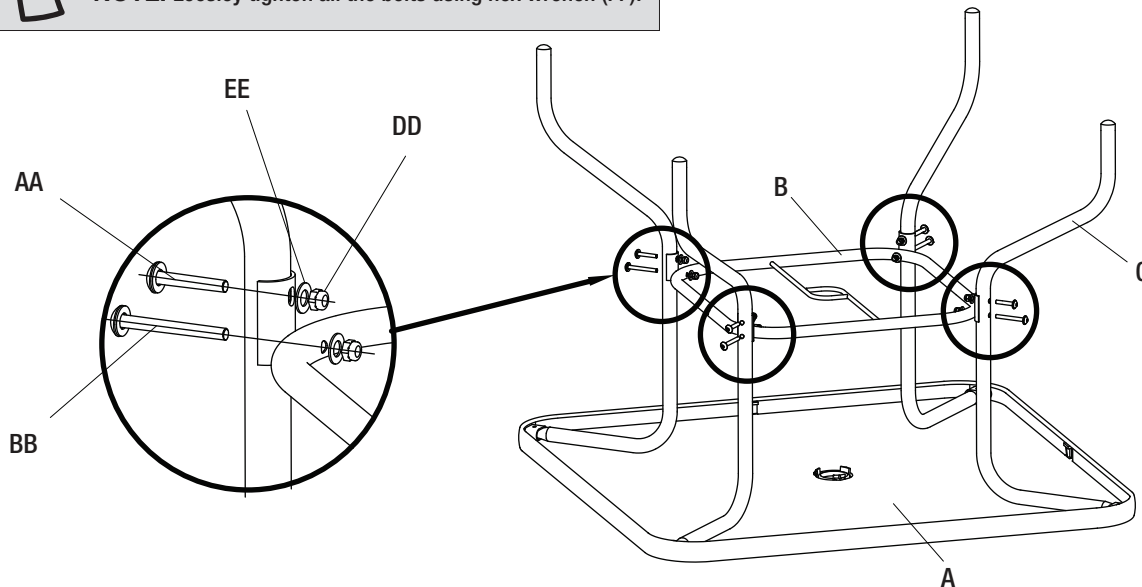


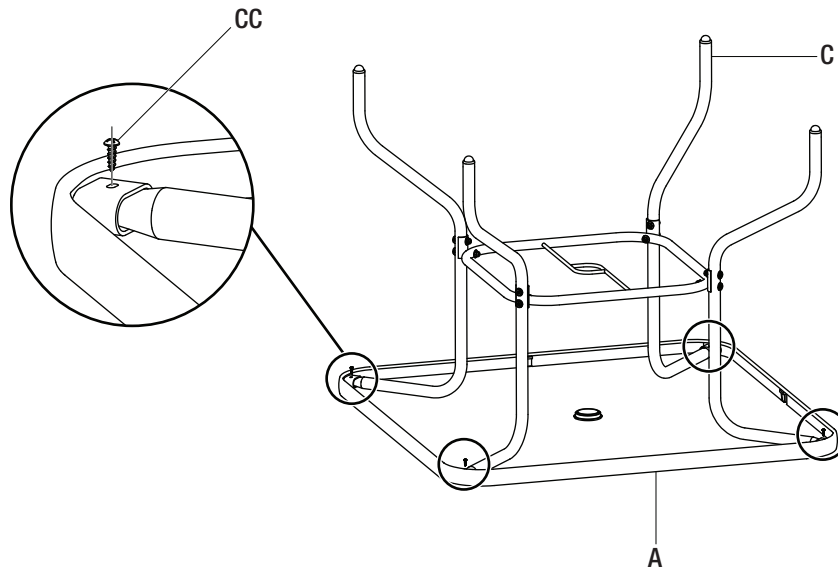
Table Assembly (continued)

3 Securing The Table Legs

- Use the self-tapping screws (CC) to secure the table legs (C) as shown below.

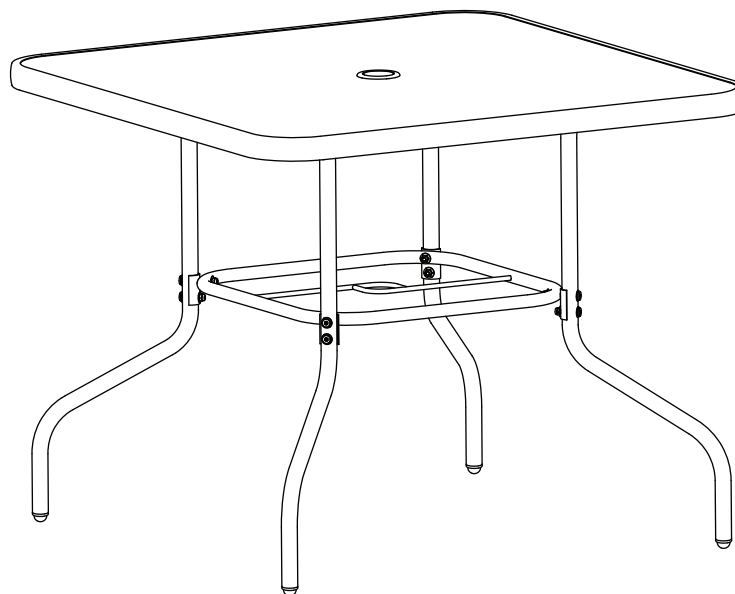


NOTE: Loosley tighten all the bolts using the screwdriver.



4 Tighten All Bolts

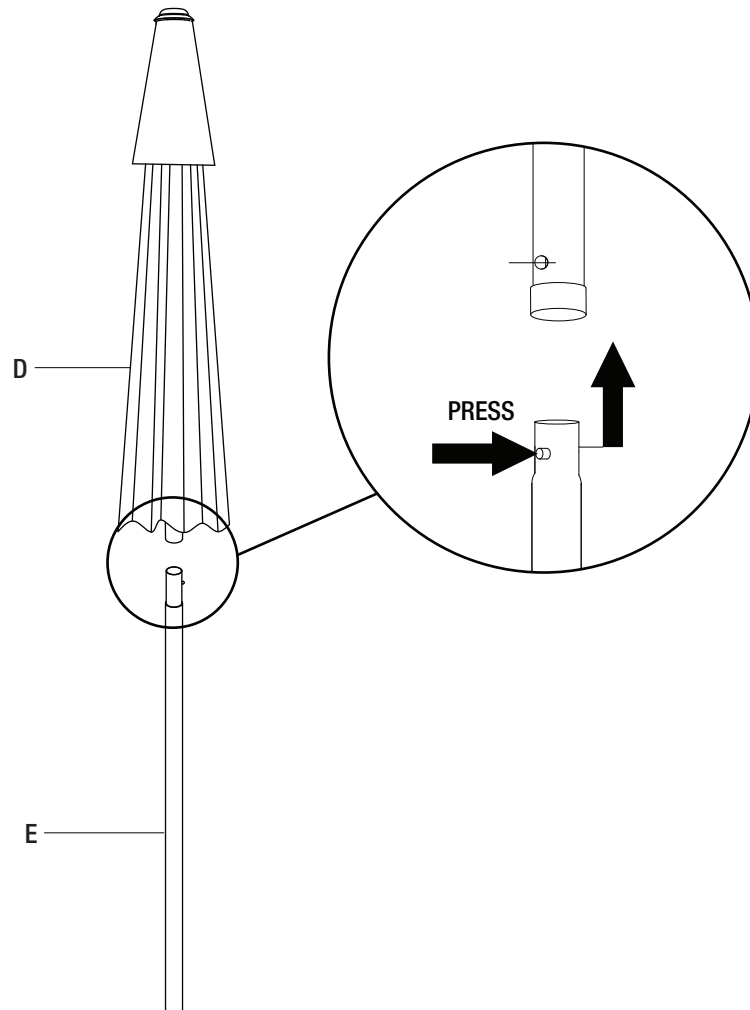
- Once all bolts and screws are in place, fully tighten all bolts and screws.
- Turn the table right side up.
- Check and ensure the table is tightly assembled and stable before use.



Umbrella Assembly

1 Connecting The Umbrella To The Umbrella Pole

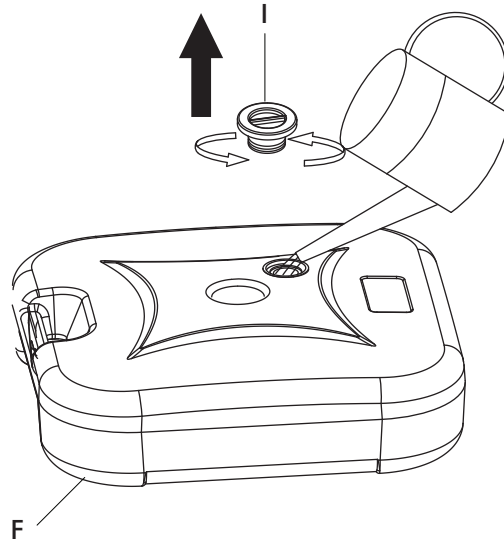
- Place the umbrella shade (D) over the umbrella pole (E).
- Match the tab on the pole (E) with the hole on the umbrella shade (D) and then attach the pole (E) into the umbrella shade (D) until the two pieces snap into place.



Umbrella Base Assembly

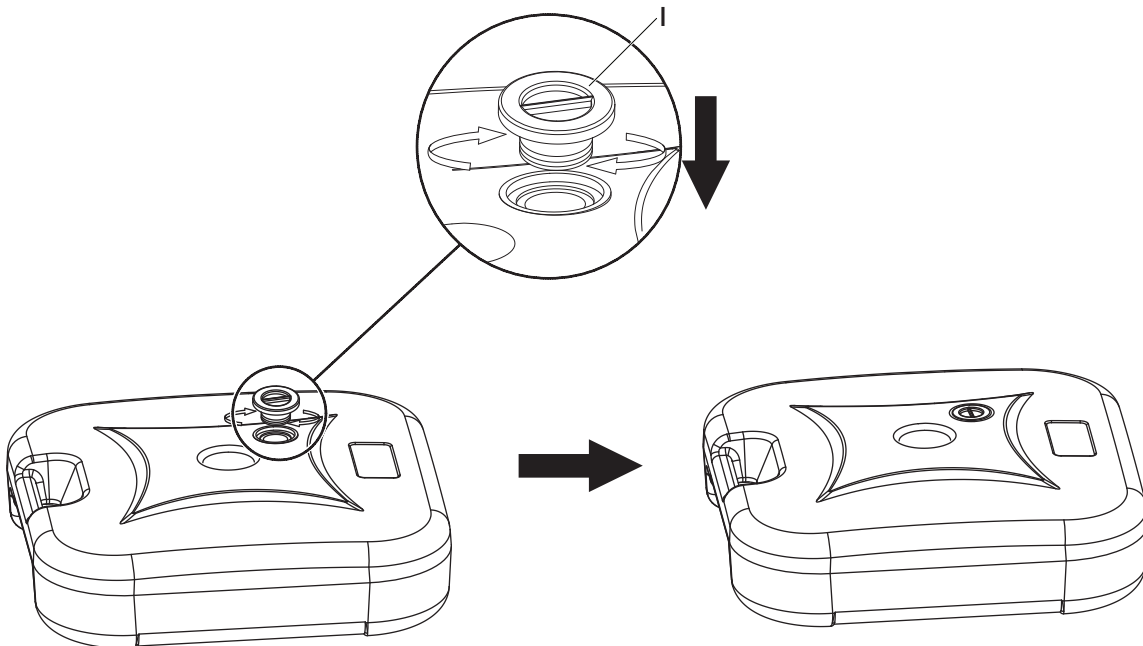
1 Securing The Base

- Place the base at the desired location.
- Remove the cover (I) on the base by rotating counterclockwise.
- Pour about 40.3 pounds (18.3 kg) of water into the umbrella base (F).



2 Tighten The Cover

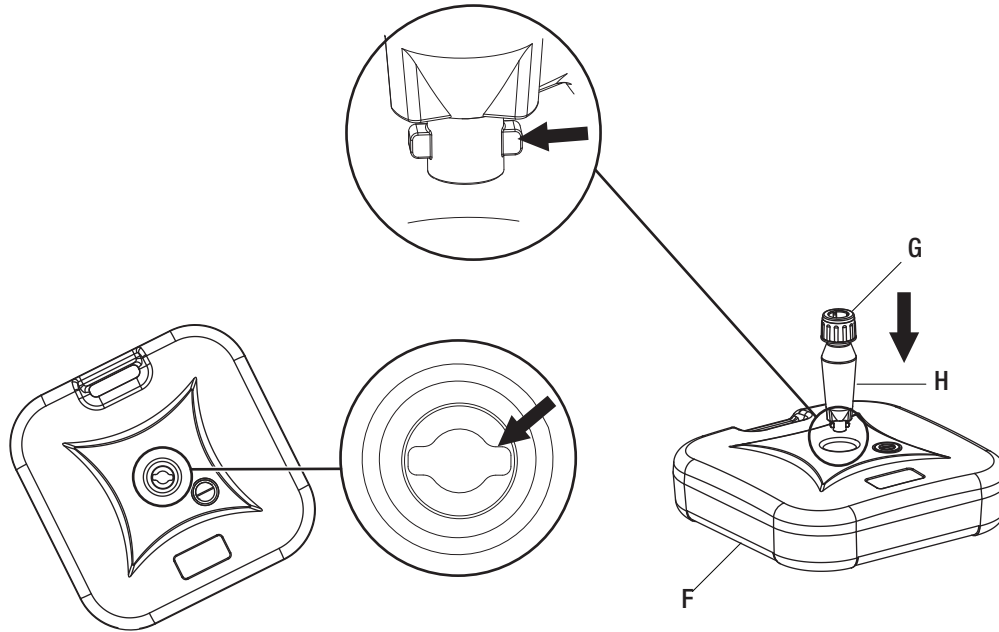
- Fully tighten the cover (I) on the base by rotating clockwise.



Umbrella Base Assembly (continued)

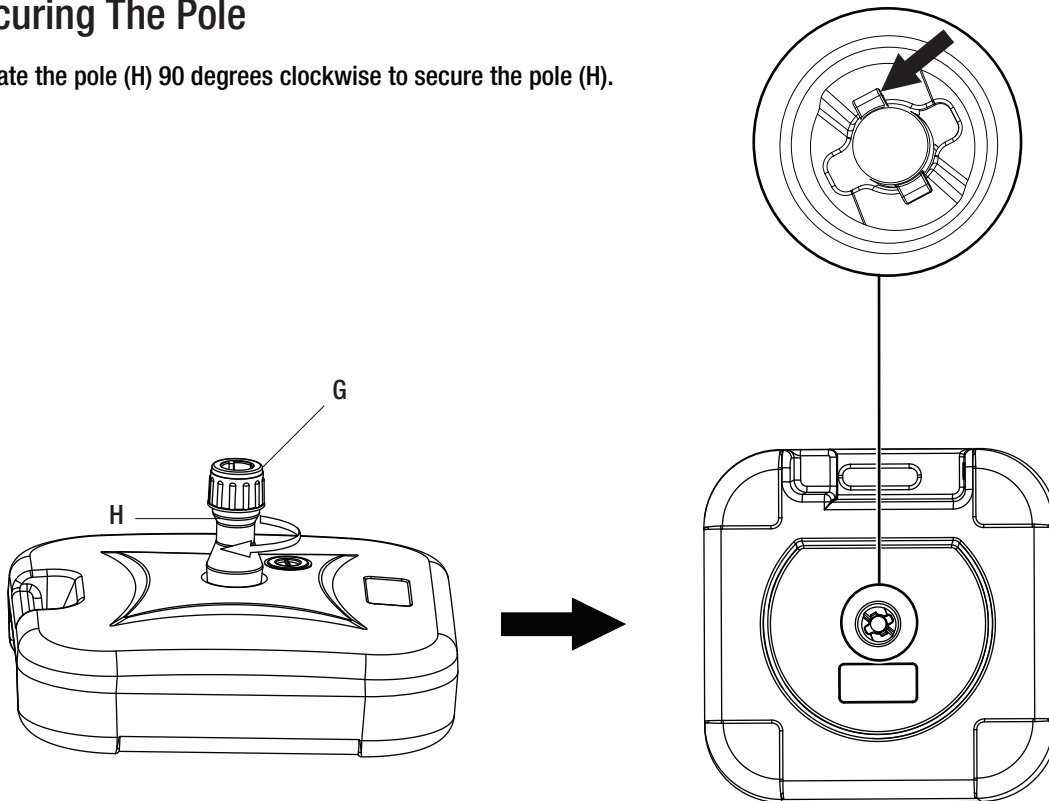
3 Attaching The Pole Into The Base

- Match the position of the pole (H) with the hole on the base (F).
- Then insert the pole (H) together with the cap (G) into the base (F).



4 Securing The Pole

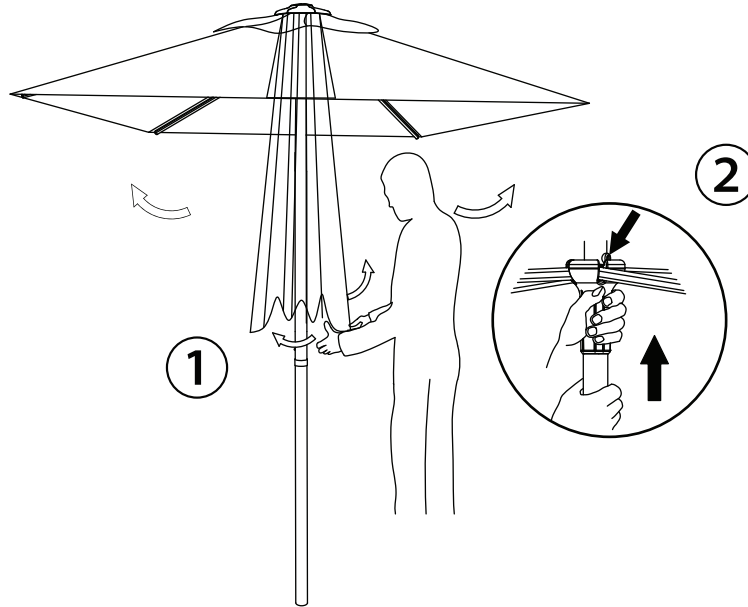
- Rotate the pole (H) 90 degrees clockwise to secure the pole (H).



Umbrella Operation

1 Opening The Umbrella

- Shake the umbrella fabric before opening the umbrella as shown in figure (1).
- Hold the hub on the umbrella shade (D) and move upwards until the shade locks into place as shown in figure (2).

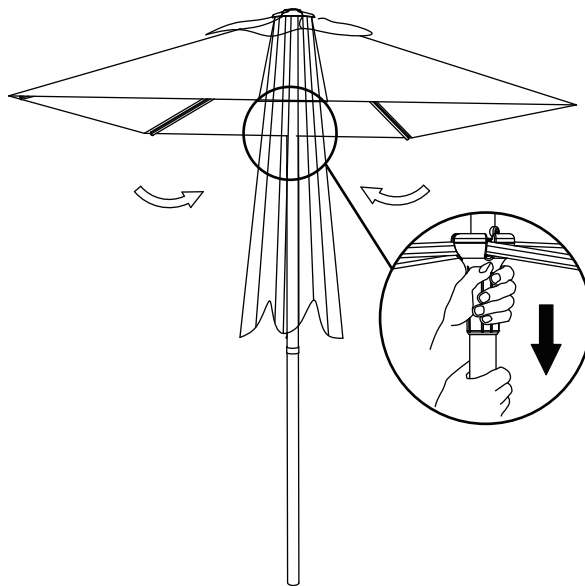


2 Closing The Umbrella

- To close the umbrella hold the hub on the umbrella shade (D) and move downwards.



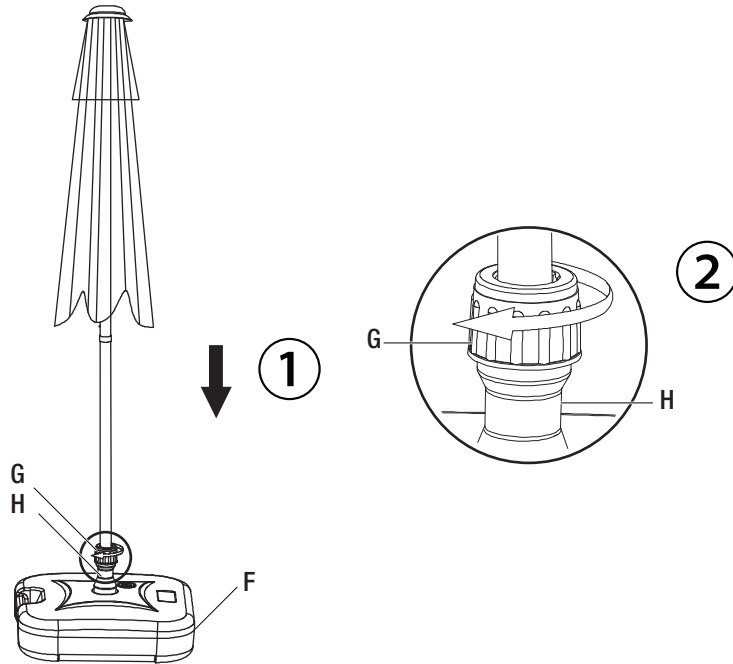
NOTE: Be careful of you fingers when pulling the hub (D) downwards.



Umbrella Base Operation

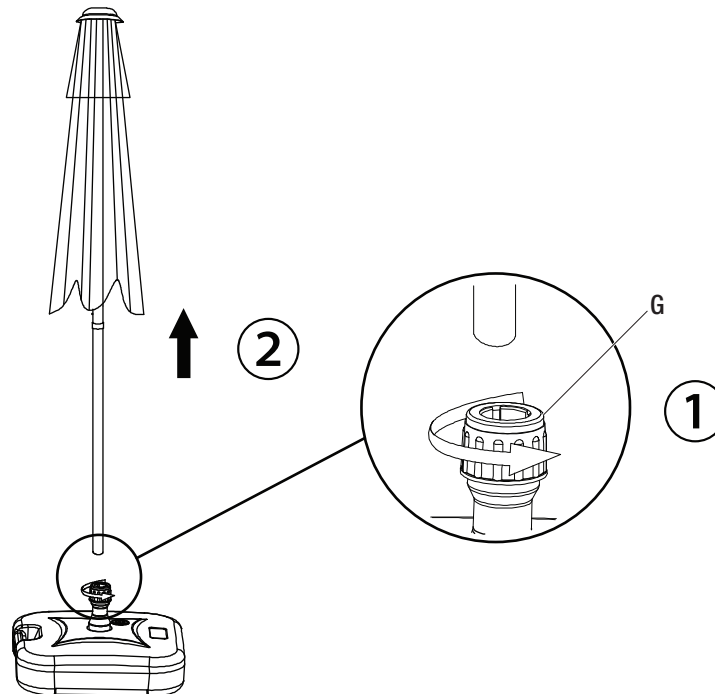
1 Inserting The Umbrella To The Base

- Insert the umbrella into the cap (G) and pole (H) as shown in figure (1). Tighten the cap (G) by rotating clockwise to secure the umbrella to the base (F) as shown in figure (2).



2 Removing The Umbrella From The Base

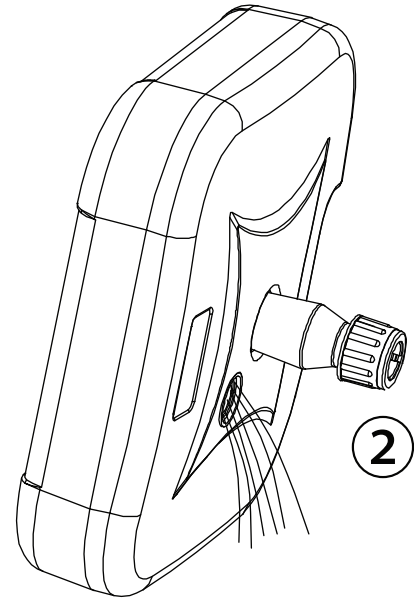
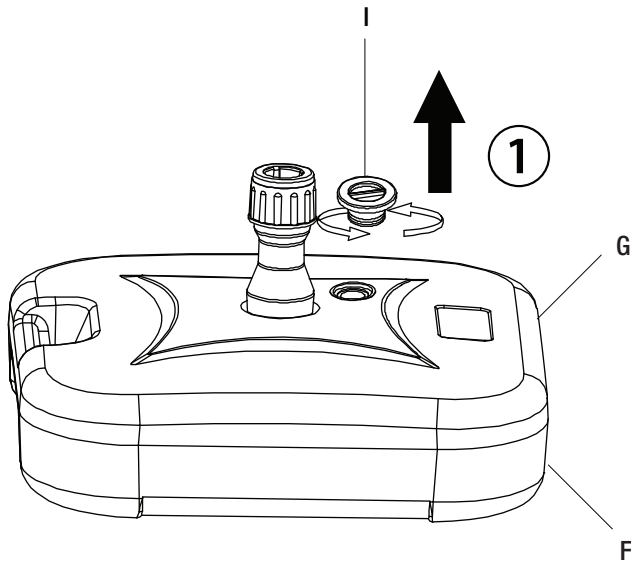
- Fully loosen the cap (G) by rotating counterclockwise as shown in figure (1), and then take the umbrella out from the base as shown in figure (2).



Umbrella Base Operation (continued)

3 Moving The Base

- Remove the cover (I) by rotating counterclockwise to take the cap out as shown in figure (1).
- Pour out the water from the base (F) as shown in figure (2).
- Move the base (F) to the new desired location.



Care and Cleaning

- For best results, clean the frame with a damp cloth and dry thoroughly. This will help prevent mildew by removing dirt particles that may accumulate.
- Do not clean with abrasive materials, bleach or solvents.
- Store the table in a dry sheltered place when not in use.
- Keep the table away from fire, extreme heat, freezing conditions, and inclement weather such as rain, hail, sleet, snow, or wind.

HAMPTON BAY[®]

Questions, problems, missing parts? Before returning to the store,
call Hampton Bay Customer Service.
8 a.m. - 7 p.m., EST, Monday - Friday, 9 a.m. - 6 p.m., EST, Saturday

01-800-00-46633

HOMEDEPOT.COM.MX

Retain this manual for future use.

For certification use only
Factory Table ID # FTS50114J

IMPORTER: SERVICES HOME DEPOT S. DE R.L. DE C.V.
Ricardo Margain 605, Col. Santa Engracia, San Pedro Garza García,
Nuevo León, México C.P. 66267 TELEPHONE: 01800-00-46633