

HAMPTON BAY®

ITEM 140 850
FDS50066C-ST

8PC Sling Folding Dining Set - Chair

Use and Care Guide

Important Safety Instructions

SAVE THESE INSTRUCTIONS



WARNING: This chair was made for the explicit purpose of providing outdoor functions and is not to be used as a toy. This product is intended for normal outdoor use; however, the manufacturer recommends storing and/or covering this product when any formidable/severe weather is approaching.



WARNING: Do not locate this product near open flames. Do not use this product as a support. Do not shake, lean or climb on the product. Children under the age of 10, near the product, should be supervised by a competent adult at all times. This product is NOT intended for commercial use and will void the warranty.

READ ALL INSTRUCTIONS BEFORE USE

To reduce the risk of injury to persons:

1. Close supervision is necessary when this product is used by or near children, or disabled persons, if applicable.
2. Use this product only for its intended use as described in these instructions. Do not use attachments nor recommended by the manufacturer.
3. Do not move the chair while the chair is occupied.
Failure to obey this caution could result in injury.
4. Do not rock in the chairs as you may fall and cause serious injury.
5. Please keep children out of the assembly area before assembly.



WARNING: Do not place heavy objects on the chair.



WARNING: Weight limit for chair is 250 lbs (113.39 Kg) for each seat.



CAUTION: Do not locate the product near any hear source.

Warranty

1 YEAR FRAME AND 1 FABRIC LIMITED WARRANTY

WHAT IS COVERED

We warrant the frames to be free of manufacturing defects to the original purchaser for one year and a one year limited warranty for the fabric.

WHAT IS NOT COVERED

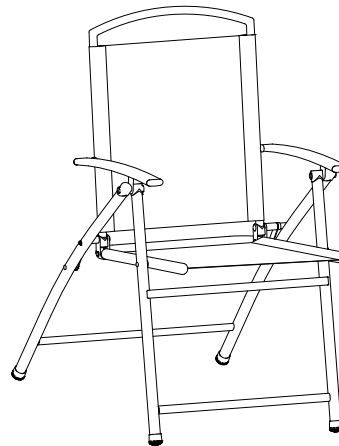
It remains the customer's responsibility for freight and packaging charges to and from our service center. This warranty does not cover commercial use, hardware, acts of nature, fire, freezing and abusive use. In addition, purchased parts are not covered under this warranty. We reserve the right to make substitutions with similar merchandise, if the model in question is no longer in production.

Contact the Customer Service Team at 01-800-00-46633 or visit www.HOMEDEPOT.com.mx.

Operation

1 Using the Chair

- Always place the chair on a hard, level surface.



Care and Cleaning

- For best results, clean the frame and fabric with a damp cloth and dry thoroughly. This will help prevent mildew by removing dirt particles that may accumulate.
- Do not clean with abrasive materials, bleach or solvents.
- Store the chair in a dry sheltered place when not in use.
- Keep the chair away from fire, extreme heat, freezing conditions, and inclement weather such as rain, hail, sleet, snow, or wind.

IMPORTER: SERVICES HOME DEPOT S. DE R.L. DE C.V. Ricardo Margain 605, Col. Santa Engracia, San Pedro Garza García, Nuevo León, México
C.P. 66267 TELEPHONE: 01800-00-46633

HOMEDPOT.COM.MX
Please contact 01-800-00-46633 for further assistance