

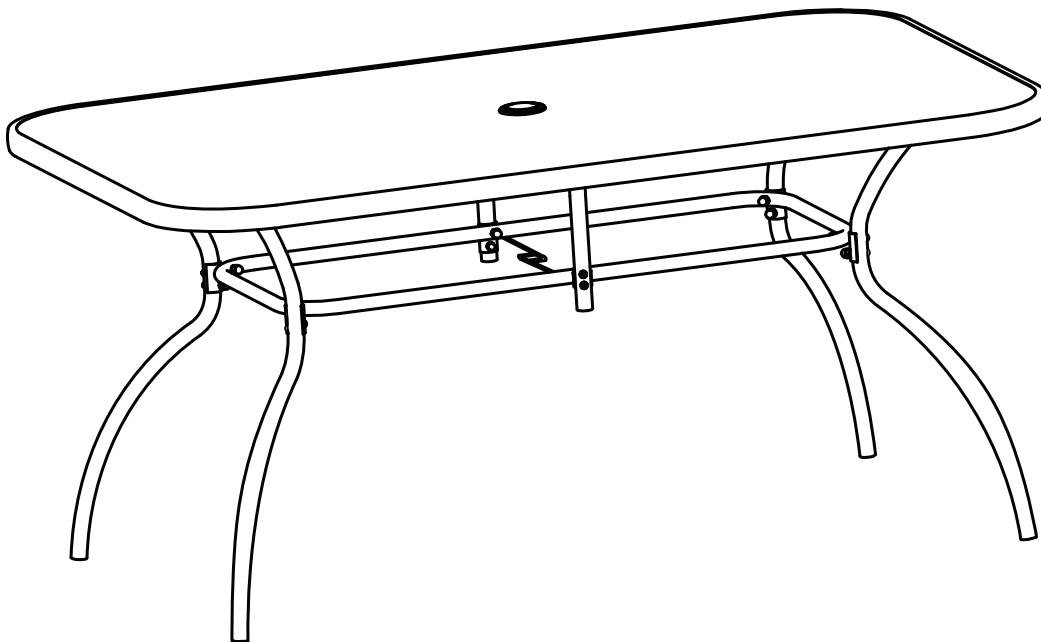
Item #140 850  
FDS50066C-ST

# HAMPTON BAY®

## USE AND CARE GUIDE

---

### 8PC SLING FOLDING DINING SET - TABLE



Questions, problems, missing parts? Before returning to the store,  
call Hampton Bay Customer Service  
8 a.m. - 7 p.m., EST, Monday – Friday, 9 a.m. – 6 p.m., EST, Saturday

01-800-00-46633

HOMEDEPOT.COM.MX

---

#### THANK YOU


*We appreciate the trust and confidence you have placed in Hampton Bay through the purchase of this table. We strive to continually create quality products designed to enhance your home. Visit us online to see our full line of products available for your home improvement needs. Thank you for choosing Hampton Bay!*


# Table of Contents

Table of Contents . . . . .	2	Pre-Assembly . . . . .	3
Important Safety Instructions . . . . .	2	Planning Assembly . . . . .	3
Save These Instructions . . . . .	2	Hardware Included . . . . .	4
Read All Instructions Before Use . . . . .	2	Package Contents . . . . .	4
Warranty . . . . .	3	Assembly . . . . .	5
What is covered . . . . .	3	Care and Cleaning . . . . .	6
What is not covered . . . . .	3		

## Important Safety Instructions

### SAVE THESE INSTRUCTIONS

 **WARNING:** THIS TABLE WAS MADE FOR THE EXPLICIT PURPOSE OF PROVIDING OUTDOOR FUNCTIONS AND IS NOT TO BE USED AS A TOY. THIS PRODUCT IS INTENDED FOR NORMAL OUTDOOR USE; HOWEVER, THE MANUFACTURER RECOMMENDS STORING AND/OR COVERING THIS PRODUCT WHEN ANY FORMIDABLE/SEVERE WEATHER IS APPROACHING.


 **WARNING:** DO NOT LOCATE THIS PRODUCT NEAR OPEN FLAMES. DO NOT USE THIS PRODUCT AS A SUPPORT. DO NOT SHAKE, LEAN OR CLIMB ON THE PRODUCT. CHILDREN UNDER THE AGE OF 10, NEAR THE PRODUCT, SHOULD BE SUPERVISED BY A COMPETENT ADULT AT ALL TIMES. THIS PRODUCT IS NOT INTENDED FOR COMMERCIAL USE AND WILL VOID THE WARRANTY.


### READ ALL INSTRUCTIONS BEFORE USE


To reduce the risk of injury to persons:


1. Close supervision is necessary when this furnishing is used by or near children, or disabled persons, if applicable.
2. Use this furnishing only for its intended use as described in these instructions. Do not use attachments not recommended by the manufacturer.
3. Do not move the table while it in use. Failure to obey this caution could result in injury.
4. This table is not intended to support an umbrella. Umbrellas must have a suitable base or stand.

 **CAUTION:** When not in use, secure the product in a cool and covered location.

 **CAUTION:** Do not locate the product near any heat sources.

 **WARNING:** Please keep children out of the assembly area before assembly.

 **WARNING:** Never use this product as a support. Do not shake, lean, or climb on the product at any time.

 **WARNING:** This table unit is heavy, and may require two adults for safe assembly.

 **WARNING:** Do not place heavy objects on the table top.

## Warranty

---

### 1 YEAR FRAME WARRANTY

#### WHAT IS COVERED

We warrant the frames to be free of manufacturing defects to the original purchaser for one year.

#### WHAT IS NOT COVERED

It remains the customer's responsibility for freight and packaging charges to and from our service center. This warranty does not cover commercial use, hardware, acts of nature, fire, freezing and abusive use. In addition, purchased parts are not covered under this warranty. We reserve the right to make substitutions with similar merchandise, if the model in question is no longer in production.

Contact the Customer Service Team at 01-800-00-46633 or visit [www.HOMEDEPOT.com.mx](http://www.HOMEDEPOT.com.mx).

## Pre-assembly

---

### PLANNING ASSEMBLY

Read all instructions before assembly.

To avoid damaging this product, assemble it on a soft, non-abrasive surface such as carpet or cardboard.



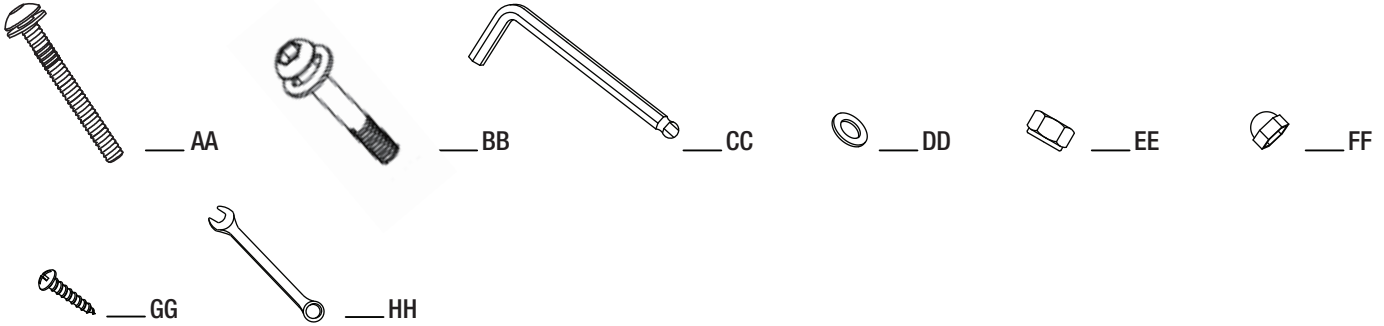
**NOTE:** More than one person may be required to assemble this product.

# Pre-Assembly (continued)

## HARDWARE INCLUDED

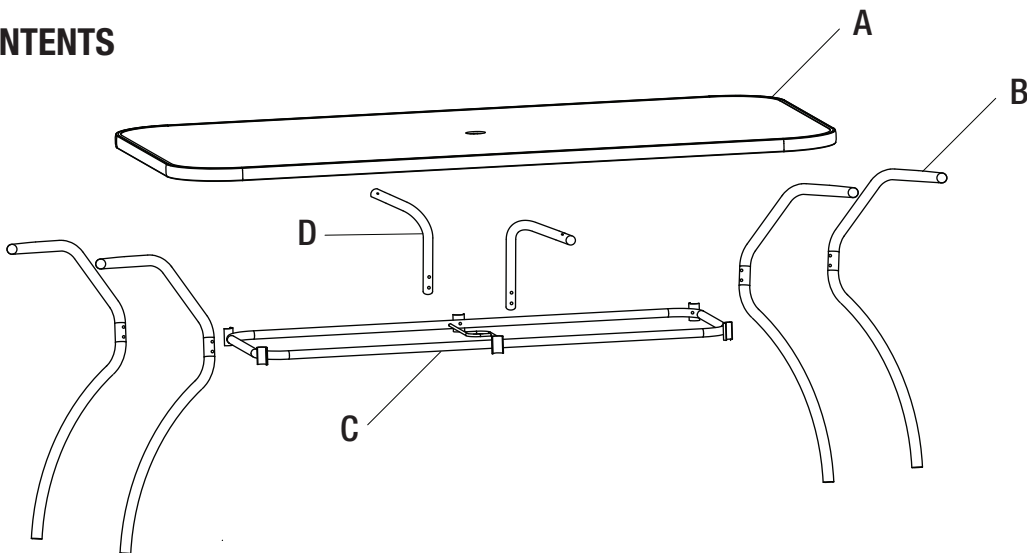


NOTE: Hardware not shown to actual size.



Part	Description	Quantity
AA	M6x40 Combination Bolt	6+1
BB	M6x60 Combination Bolt	6+1
CC	Hex Wrench	1
DD	Washer	12+1
EE	Nut	12+1
FF	Cap	12+1
GG	ST4.2*12 screw	6+1
HH	Wrench	1

## PACKAGE CONTENTS

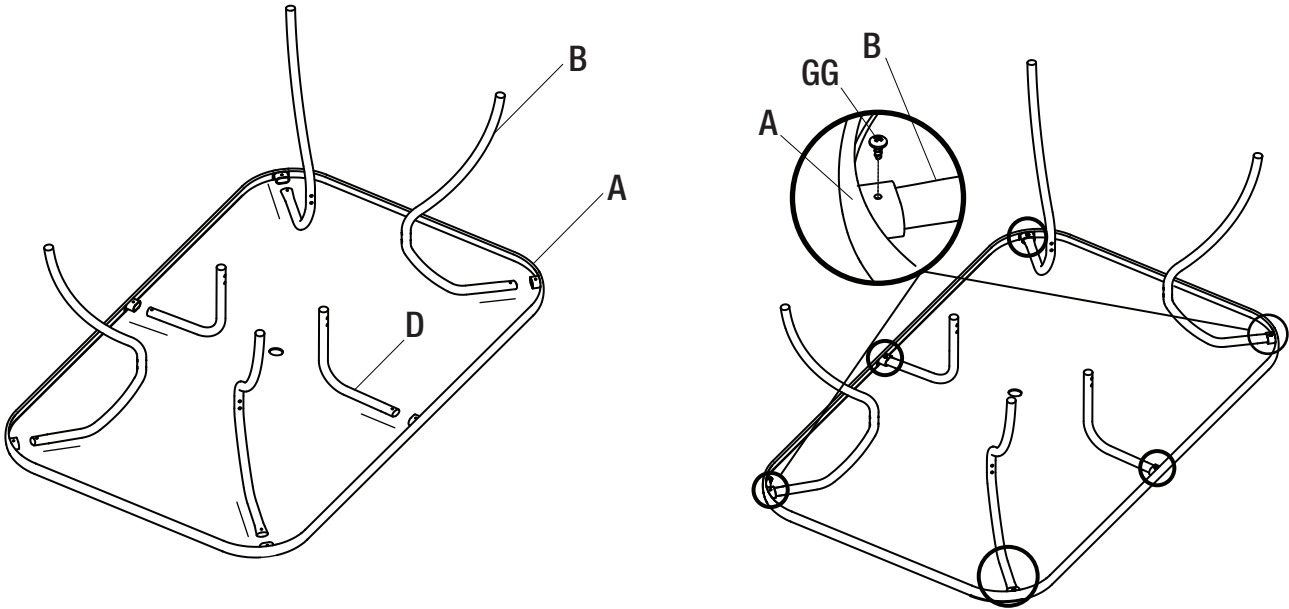


Part	Description	Quantity
A	Table Top	1
B	Table Leg	4
C	Leg Connector	1
D	Support Tube	2

# Assembly

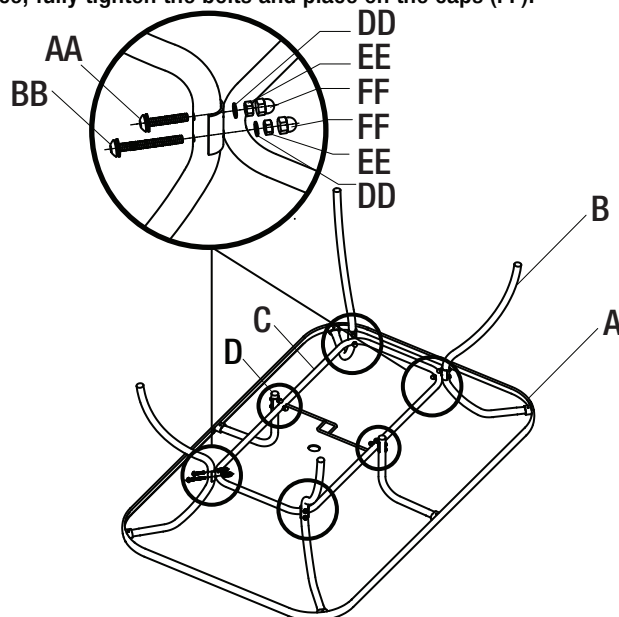
## 1 Connecting The Table Legs And The Support Tube To The Table Top

- Place the table top (A) upside down on a soft surface.
- Insert the table legs (B) and the support tube (D) to the table top (A).
- Secure the table legs (B) and support the tube (D) to the table top (A) by using ST4.2\*12 screws (GG).



## 2 Attaching The Leg Connector

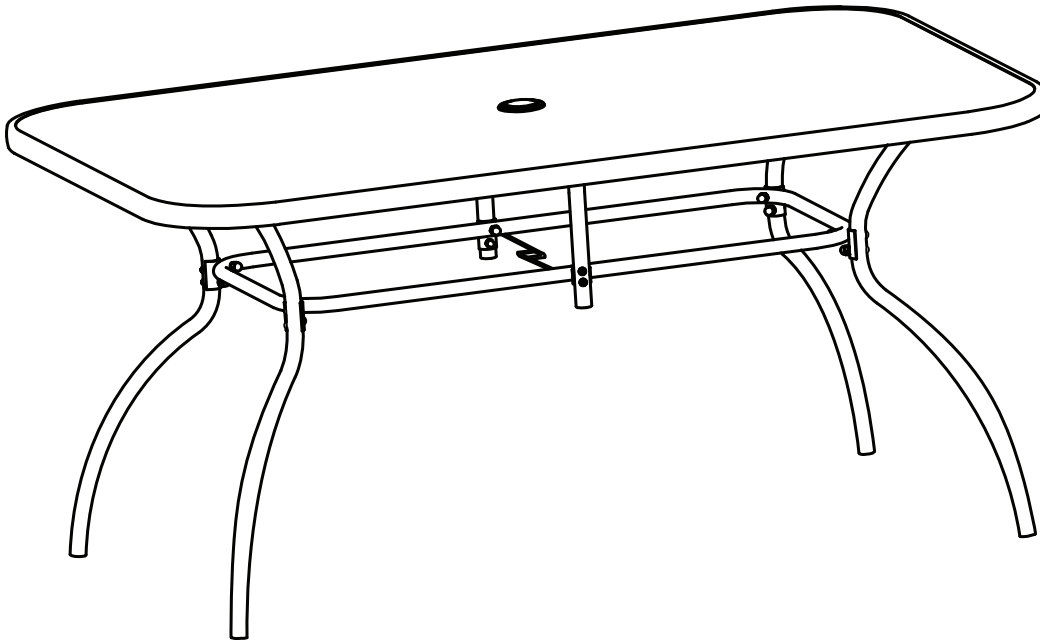
- Attach the leg connector (C) to the table leg (B) and support tube (D) using M6x40 Combination Bolts (AA), M6x60 Combination Bolts (BB), washers (DD), and Nuts (EE).
- Once all of the bolts are in place, fully tighten the bolts and place on the caps (FF).



## Assembly (continued)

### 3 Checking The Table

- Turn the table right side up.
- Ensure that all connections are secure before use.



## Care and Cleaning

- For best results, clean the frame with a damp cloth and dry thoroughly. This will help prevent mildew by removing dirt particles that may accumulate.
- Do not clean with abrasive materials, bleach or solvents.
- Store the table in a dry sheltered place when not in use.
- Keep the table away from fire, extreme heat, freezing conditions, and inclement weather such as rain, hail, sleet, snow, or wind.

# HAMPTON BAY<sup>®</sup>

Questions, problems, missing parts? Before returning to the store,  
call Hampton Bay Customer Service.  
8 a.m. - 7 p.m., EST, Monday - Friday, 9 a.m. - 6 p.m., EST, Saturday

**01-800-00-46633**

**HOMEDEPOT.COM.MX**

Retain this manual for future use.

For certification use only
Factory ID # FTS00569Z

IMPORTER: SERVICES HOME DEPOT S. DE R.L. DE C.V.  
Ricardo Margain 605, Col. Santa Engracia, San Pedro Garza García,  
Nuevo León, México C.P. 66267 TELEPHONE: 01800-00-46633