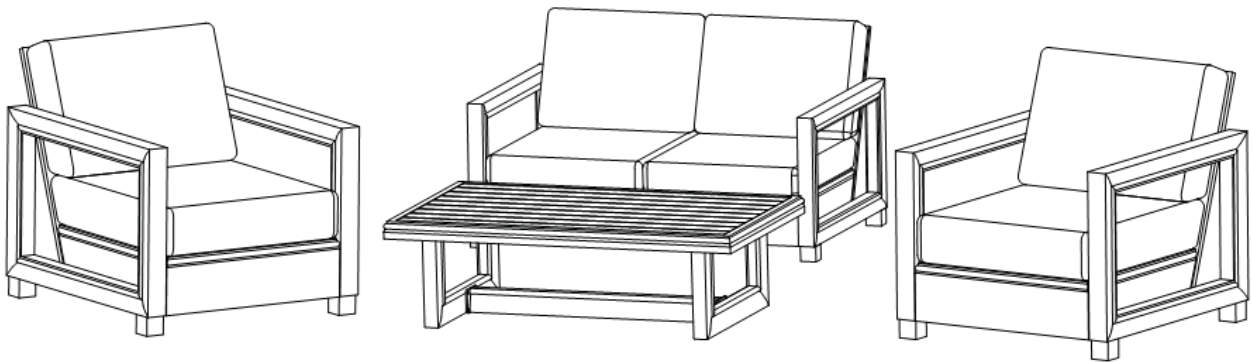


Assembly Instructions

Model No. 1700040002



4pc Seating Set - Deep Seating Chair

Questions, problems, or missing parts?
Before returning to the store, call Customer Service.

1-866-988-3300

8 a.m. - 5 p.m., PST Monday - Friday

Retain this manual for future use.

Contents

Safety Instructions	3
Parts List	4
Assembly	5
Cleaning & Maintenance	9
Warranty	10

IMPORTANT: RETAIN FOR FUTURE REFERENCE, AND READ CAREFULLY.

Safety Instructions

 **WARNING**

Please keep children out of the assembly area before assembly.

 **WARNING**

Never use this product as support. Do not shake, lean, or climb on the product at any time.

 **WARNING**

Do not place heavy objects on the loveseat.

 **WARNING**

When not in use, secure the product in a cool and covered location.











 **WARNING**

Do not locate the product near any heat source.

 **WARNING**

Warning: Weight limit for the loveseat is 250lbs (113.39Kg).

Parts List

A Right Arm - 2		B Left Arm - 2		C Seat Frame - 2		D Back Frame - 2		E Back Cushion - 2		F Seat Cushion - 1		AA M6X18 Bolt - 8		BB M6X30 Bolt - 12		CC M6 Flat Washer - 20		DD Hex Key - 1	
---------------------------	---	--------------------------	---	----------------------------	---	----------------------------	---	------------------------------	---	------------------------------	---	-----------------------------	---	------------------------------	---	----------------------------------	---	--------------------------	---

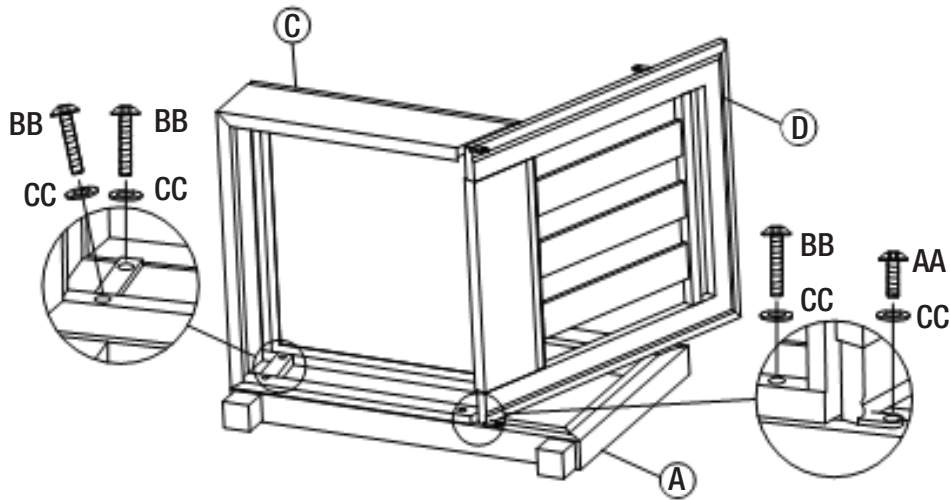
Assembly

STEP 1

Requires: **AA, BB, CC, DD, A, C, D**

Attach right arm (A) to back frame (D) by lining up the corresponding bolt holes on the right arm (A) and back frame (D). Insert M6x18 bolts (AA) through M6 flat washers (CC). Secure bolts with hex key (DD). Do not completely tighten.

Attach seat frame (C) to the right arm (A) and back frame (D) by lining up the corresponding bolt holes. Insert M6x30 bolts (BB) through M6 flat washers (CC). Secure by tightening the bolts with hex key (DD).

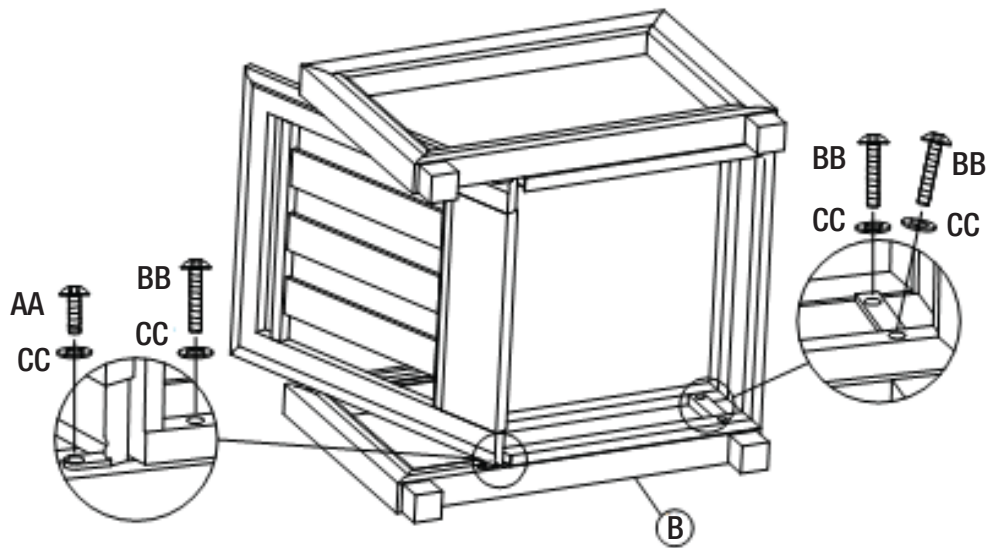


Assembly

STEP 2

Requires: **AA, BB, CC, B, C, D**

Repeat Step 1 for attaching the left arm (B) to the seat frame (C) and back frame (D).

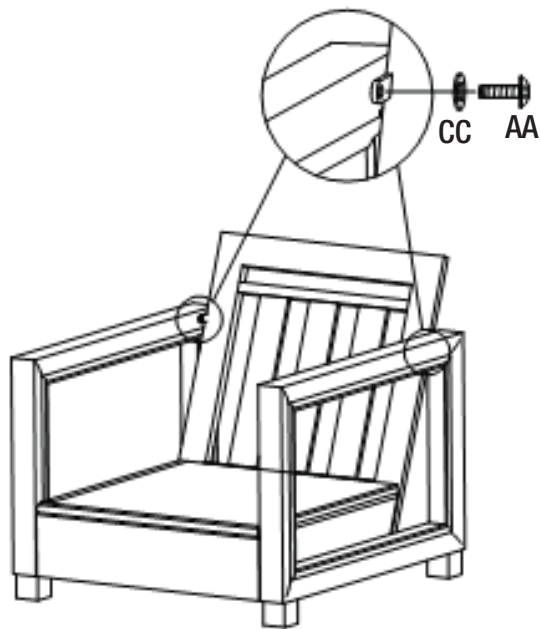


Assembly

STEP 3

Requires: **AA, CC, DD, A, B, D**

Secure the right arm (A) and left arm (B) to the back frame (D) by lining up the corresponding bolt holes on the back frame (D). Insert M6x18 bolts (AA) through M6 flat washer (CC). Secure bolts by tightening with hex key (DD).

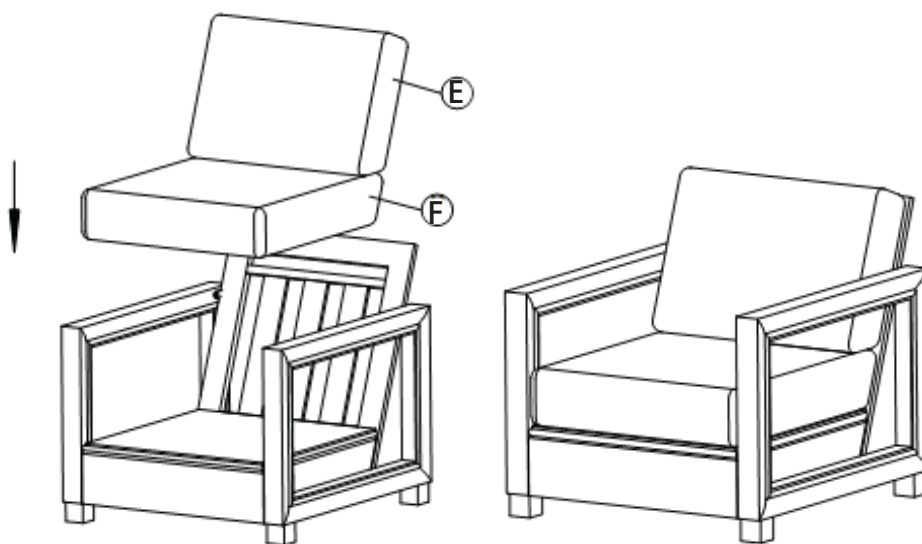


Assembly

STEP 4

Requires: **DD, E, F**

Ensure all bolts are securely tightened with hex key (DD). Place seat cushion (F) and back cushion (E) to the fully assembled chair.



Frames

Considered the most durable material for outdoor furniture, metal can last a lifetime if you take care of it properly. Most metal outdoor furniture is finished with paint, varnish, or powder coating to prevent rust. While aluminum doesn't rust—it can oxidize (causes pitting & dulls the finish). So maintaining your furniture will extend its life & make it easier to clean.

- Wash all frames with a solution of mild soap (like dish soap) and water.
- Rinse with clean water and dry with a soft absorbent cloth towel to remove buildup of dirt particles.
- DO NOT clean with abrasive materials or solvents to avoid scratching or damaging your set.
- Frames can be treated with a liquid wax for maximum protection against UV rays and/or salty, damp air.
- Store furniture in an upright position to prevent water building up in frames, as this will cause corrosion and freeze damage in cold climates.
- Consider covering your furniture when not in use for long periods of time (and during bouts of inclement weather).

Outdoor Grade Fabrics

Our seat cushions and pillows are constructed of stain resistant olefin fabric which wicks away moisture and dries quickly, resists fading, mildew, chemicals and insects.

- If your seat cushions have zippers so you are able to remove & machine wash cushion covers (on cold gentle cycle).
- Best to air dry them outdoors instead of tumble drying on low in dryers (to prevent shrinking).
- If your set includes cushions, slings, and/or an umbrella that is not removable they may be cleaned by hand with a solution of mild soap (like dish soap) and water, then rinse with clean water.
- Slings may be washed in the dishwasher or in the washer, Lay in the sun
- After cleaning cushion fill, tip on its side and allow to dip dry.
- DO NOT use bleach or solvents to clean any product! This will void the warranty.
- To extend the life of your cushions store during inclement weather & when not in use.

Outdoor Furniture

IMPORTANT

If you have any problems with this product (missing or damaged parts, assembly issues, etc.),

PLEASE DO NOT RETURN TO THE RETAILER/STORE

from where you purchased the product.

Please call our Toll-Free Customer Service Hotline at:

1-866-988-3300

Between 8:00 AM and 5:00 PM Pacific Standard Time, Monday through Friday

To expedite any future warranty claims, please retain the instruction sheet, warranty card and receipt for future use.

Care and Maintenance

Store furniture in an upright position. Be careful to never allow water to build up in frames as this will cause corrosion and freeze damage in cold climates. Wash all frames with a solution of mild soap and water. Rinse with clean water and dry with a soft absorbent cloth towel. Frames can be treated with a liquid wax for maximum protection against UV rays and/or salty, damp air. If your set includes cushions, slings, and/or an umbrella they may be cleaned by hand with a solution of soap and water with a clean water rinse. (Never machine wash cushions, slings or umbrella covers as this will result in shrinkage or damage). After cleaning cushions tip on end and allow to drip dry. (Never use a commercial or home dryer to tumble dry fabric goods). Do not use bleach or solvents to clean any product! This will void the warranty.

Outdoor Furniture

1-YEAR LIMITED WARRANTY PROGRAM

For a period of one (1) year after date of purchase, the Manufacturer will either repair or replace defective components in accordance with this Limited Warranty. This warranty is between the Manufacturer and the original purchaser and is valid only when accompanied by the original purchaser's sales receipt showing original date of purchase and location of purchase. Replacements under this warranty revert back to the date of original purchase for future warranty.

The Manufacturer or its authorized dealer can accept or reject warranty claims based on its findings. This warranty applies in normal residential use only and is not intended for commercial use. The Manufacturer can make substitutions as required of materials, components, and sub-components of comparable value and utility. This warranty is limited to product repair or replacement (to be determined solely by the Manufacturer). Warranty return is limited to only the single affected component.

This limited warranty covers only manufacturing defects and does not cover normal wear and tear, damage due to acts of nature (such as, but not limited to freezing or high winds), abuse or misuse, including chemical damage from suntan oil or other chemicals, exposure to extreme heat or cold, abrasion or excessive weight. This product is intended to be used in standard installations only. This warranty is void if the product is not used for its intended purpose. The Manufacturer disclaims liability for any aspect of installation and any inconvenience caused by a defective part of a component.

Certain items are not covered by this warranty. These include, but are not limited to the following:

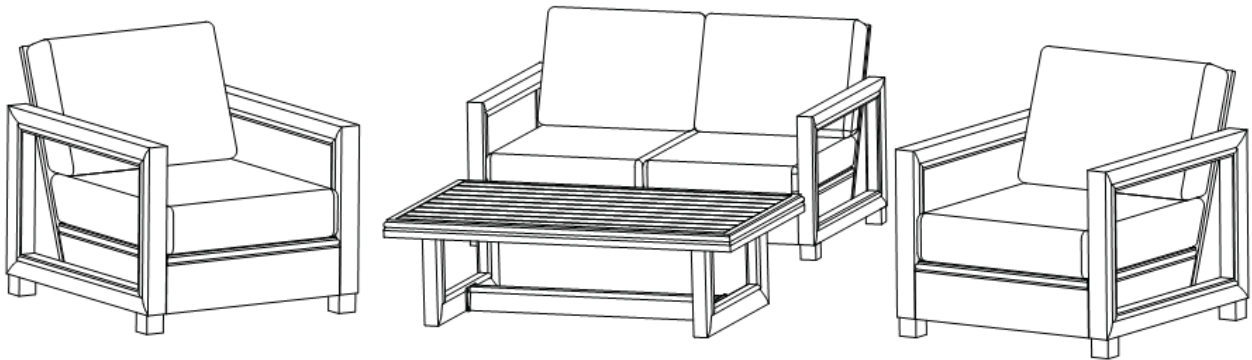
1. Components subjected to abuse, including abuse intended to simulate failure.
2. Damages caused by retailer, shipper or installation crew (such as scratches, dents, tears, chips, etc.).
3. Any part which merely exhibits normal wear yet functions essentially as new, including chips, scratches or stretching of materials and stitching.
4. Tears, punctures, scratches or any damage caused by improper installation or use.
5. Damage to frames/welds resulting from improper assembly or exposure to water and/or sub-freezing temperatures is not covered. General frame rusting is not covered.
6. Fading and/or discoloration of fabrics/cushions/straps/wicker resulting from exposure to the elements, chemicals, oils, fluids or any other cause are not covered.
7. Umbrella bases are not covered under any circumstances.
8. Items sold "as is" or floor models.

To make a claim, call the toll-free number below. Please have available a copy of the original sales receipt along with a brief description of the problem. Please also provide your email address and daytime telephone or cell phone number. All items may be charged actual freight costs plus \$15 for handling. Repairs or replacement will be made at the Manufacturer's option. Sales and use taxes, plus shipping and handling charges are the responsibility of the consumer.

THIS IS THE ENTIRE EXCLUSIVE EXPRESS LIMITED LIABILITY. THE MANUFACTURER NEITHER MAKES NOR IS RESPONSIBLE FOR ANY OTHER WARRANTIES, EITHER EXPRESS OR IMPLIED, INCLUDING THOSE OF RETAILING DEALERS. THIS EXCLUSIVE REMEDY IS LIMITED TO RECEIPT OF A CREDIT IN CONNECTION WITH THE REPAIR OR REPLACEMENT OF ANY PRODUCT OR COMPONENT DEEMED TO BE DEFECTIVE UNDER THE TERMS AND CONDITIONS AS STATED IN THIS WARRANTY. NEITHER THE PRODUCT MANUFACTURER NOR ITS AGENTS SHALL BE LIABLE IN ANY CASE FOR INCIDENTAL, INDIRECT, SPECIAL OR CONSEQUENTIAL DAMAGES RESULTING FROM THE USE OF THIS PRODUCT OR ARISING OUT OF ANY BREACH OF THIS WARRANTY OR NEGLIGENCE EVEN IF IT HAS BEEN ADVISED OF THE POSSIBILITY OF SUCH DAMAGES. EXCEPT AS OTHERWISE MAY BE REQUIRED BY LAW, THERE ARE NO OTHER EXPRESS OR IMPLIED WARRANTIES OTHER THAN THE WARRANTY DESCRIBED HEREIN, AND ALL OTHER WARRANTIES, INCLUDING ANY IMPLIED WARRANTY OF MERCHANTABILITY OR FITNESS FOR A PARTICULAR PURPOSE ARE EXPRESSLY DISCLAIMED.

Assembly Instructions

Model No. 1700040002



4pc Deep Seating Set - Table

Questions, problems, or missing parts?
Before returning to the store, call Customer Service.

1-866-988-3300

8 a.m. - 5 p.m., PST Monday - Friday

Retain this manual for future use.

Contents

Safety Instructions	3
Parts List	4
Assembly	5
Cleaning & Maintenance	8
Warranty	9

IMPORTANT: RETAIN FOR FUTURE REFERENCE, AND READ CAREFULLY.

Safety Instructions

 **WARNING**

Please keep children out of the assembly area before assembly.

 **WARNING**

Never use this product as support. Do not shake, lean, or climb on the product at any time.

 **WARNING**

Do not place heavy objects on the table.






 **WARNING**

When not in use, secure the product in a cool and covered location.

 **WARNING**

Do not locate the product near any heat source.

Parts List

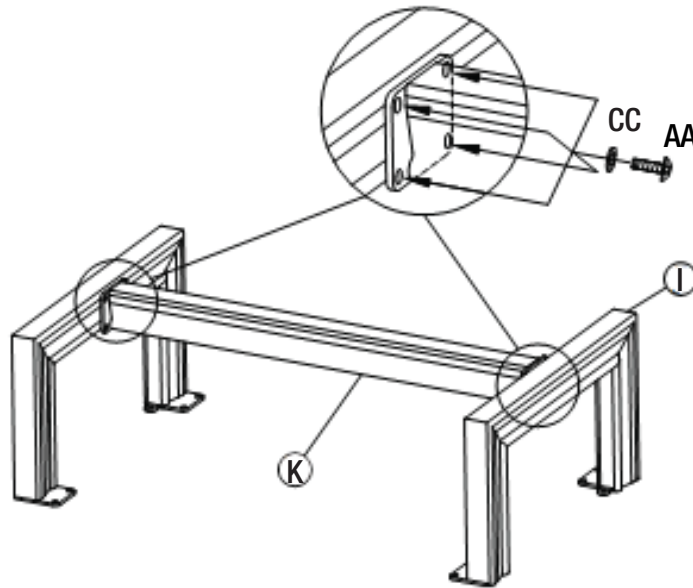
I Table Top - 1		AA M6X18 Bolt - 20	
J Table Leg - 2		CC M6 Flat Washer - 20	
K Leg Connector Bar - 1			

Assembly

STEP 1

Requires: **AA, BB, CC, DD, I, J, K**

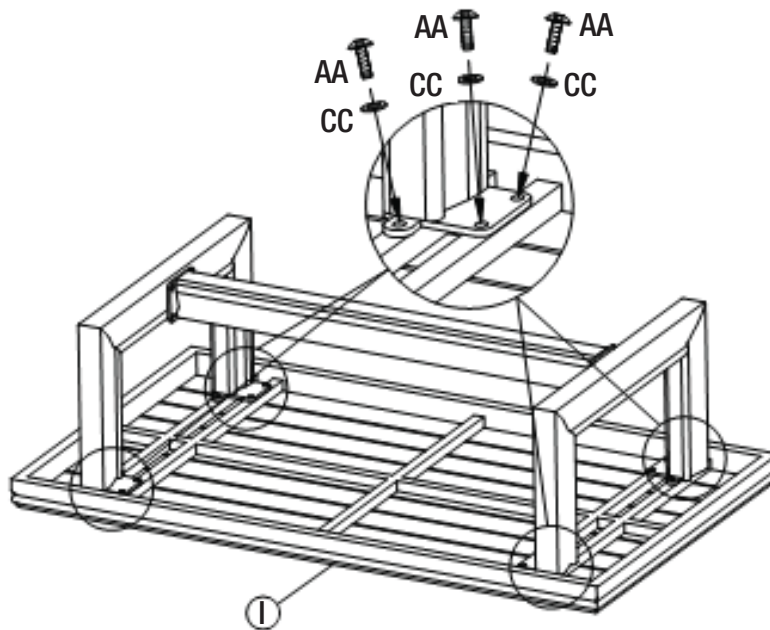
Place leg connector bar (K) between the two table legs (J). Insert bolt M6x18 bolt (AA) through M6 flat washer (BB). Secure bolts using hex key (DD).



STEP 2

Requires: **AA, BB, CC, DD, A, B**

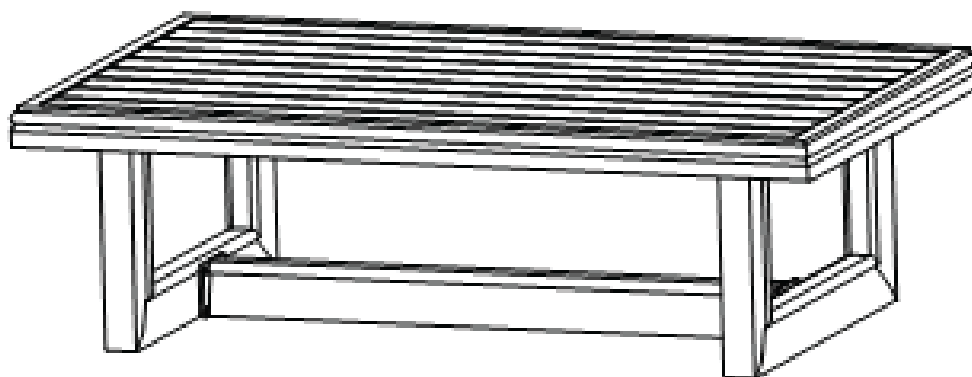
Place table top (A) upside down on a soft flat surface. Align the bolt holes on the table top (A) with the corresponding bolt holes on the table legs (B). Insert M6x18 bolts (AA) through flat washer (BB). Secure bolts using hex key (DD).



STEP 3

Requires: **DD**

Ensure all bolts are tightly secured using the hex key (DD). Turn the table to an upright position. The table is now ready for use.



Frames

Considered the most durable material for outdoor furniture, metal can last a lifetime if you take care of it properly. Most metal outdoor furniture is finished with paint, varnish, or powder coating to prevent rust. While aluminum doesn't rust—it can oxidize (causes pitting & dulls the finish). So maintaining your furniture will extend its life & make it easier to clean.

- Wash all frames with a solution of mild soap (like dish soap) and water.
- Rinse with clean water and dry with a soft absorbent cloth towel to remove buildup of dirt particles.
- DO NOT clean with abrasive materials or solvents to avoid scratching or damaging your set.
- Frames can be treated with a liquid wax for maximum protection against UV rays and/or salty, damp air.
- Store furniture in an upright position to prevent water building up in frames, as this will cause corrosion and freeze damage in cold climates.
- Consider covering your furniture when not in use for long periods of time (and during bouts of inclement weather).

Outdoor Furniture

IMPORTANT

If you have any problems with this product (missing or damaged parts, assembly issues, etc.),

PLEASE DO NOT RETURN TO THE RETAILER/STORE

from where you purchased the product.

Please call our Toll-Free Customer Service Hotline at:

1-866-988-3300

Between 8:00 AM and 5:00 PM Pacific Standard Time, Monday through Friday

To expedite any future warranty claims, please retain the instruction sheet, warranty card and receipt for future use.

Care and Maintenance

Store furniture in an upright position. Be careful to never allow water to build up in frames as this will cause corrosion and freeze damage in cold climates. Wash all frames with a solution of mild soap and water. Rinse with clean water and dry with a soft absorbent cloth towel. Frames can be treated with a liquid wax for maximum protection against UV rays and/or salty, damp air. If your set includes cushions, slings, and/or an umbrella they may be cleaned by hand with a solution of soap and water with a clean water rinse. (Never machine wash cushions, slings or umbrella covers as this will result in shrinkage or damage). After cleaning cushions tip on end and allow to drip dry. (Never use a commercial or home dryer to tumble dry fabric goods). Do not use bleach or solvents to clean any product! This will void the warranty.

Outdoor Furniture

1-YEAR LIMITED WARRANTY PROGRAM

For a period of one (1) year after date of purchase, the Manufacturer will either repair or replace defective components in accordance with this Limited Warranty. This warranty is between the Manufacturer and the original purchaser and is valid only when accompanied by the original purchaser's sales receipt showing original date of purchase and location of purchase. Replacements under this warranty revert back to the date of original purchase for future warranty.

The Manufacturer or its authorized dealer can accept or reject warranty claims based on its findings. This warranty applies in normal residential use only and is not intended for commercial use. The Manufacturer can make substitutions as required of materials, components, and sub-components of comparable value and utility. This warranty is limited to product repair or replacement (to be determined solely by the Manufacturer). Warranty return is limited to only the single affected component.

This limited warranty covers only manufacturing defects and does not cover normal wear and tear, damage due to acts of nature (such as, but not limited to freezing or high winds), abuse or misuse, including chemical damage from suntan oil or other chemicals, exposure to extreme heat or cold, abrasion or excessive weight. This product is intended to be used in standard installations only. This warranty is void if the product is not used for its intended purpose. The Manufacturer disclaims liability for any aspect of installation and any inconvenience caused by a defective part of a component.

Certain items are not covered by this warranty. These include, but are not limited to the following:

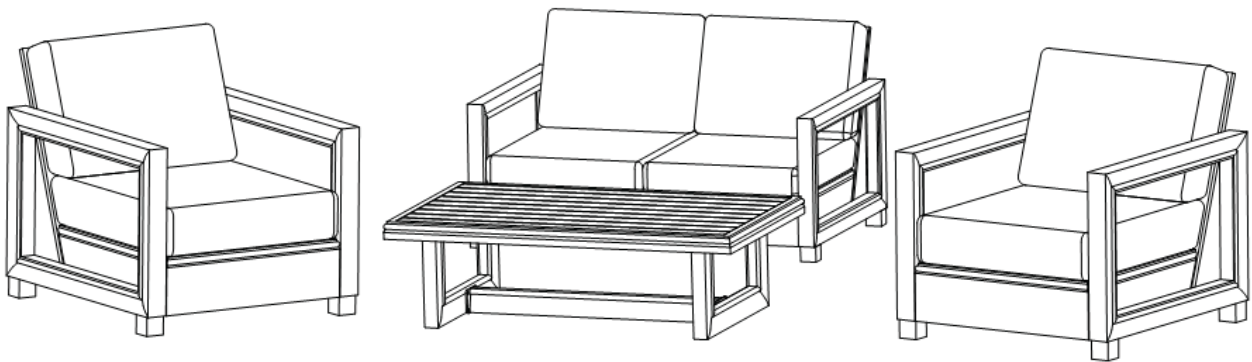
1. Components subjected to abuse, including abuse intended to simulate failure.
2. Damages caused by retailer, shipper or installation crew (such as scratches, dents, tears, chips, etc.).
3. Any part which merely exhibits normal wear yet functions essentially as new, including chips, scratches or stretching of materials and stitching.
4. Tears, punctures, scratches or any damage caused by improper installation or use.
5. Damage to frames/welds resulting from improper assembly or exposure to water and/or sub-freezing temperatures is not covered. General frame rusting is not covered.
6. Fading and/or discoloration of fabrics/cushions/straps/wicker resulting from exposure to the elements, chemicals, oils, fluids or any other cause are not covered.
7. Umbrella bases are not covered under any circumstances.
8. Items sold "as is" or floor models.

To make a claim, call the toll-free number below. Please have available a copy of the original sales receipt along with a brief description of the problem. Please also provide your email address and daytime telephone or cell phone number. All items may be charged actual freight costs plus \$15 for handling. Repairs or replacement will be made at the Manufacturer's option. Sales and use taxes, plus shipping and handling charges are the responsibility of the consumer.

THIS IS THE ENTIRE EXCLUSIVE EXPRESS LIMITED LIABILITY. THE MANUFACTURER NEITHER MAKES NOR IS RESPONSIBLE FOR ANY OTHER WARRANTIES, EITHER EXPRESS OR IMPLIED, INCLUDING THOSE OF RETAILING DEALERS. THIS EXCLUSIVE REMEDY IS LIMITED TO RECEIPT OF A CREDIT IN CONNECTION WITH THE REPAIR OR REPLACEMENT OF ANY PRODUCT OR COMPONENT DEEMED TO BE DEFECTIVE UNDER THE TERMS AND CONDITIONS AS STATED IN THIS WARRANTY. NEITHER THE PRODUCT MANUFACTURER NOR ITS AGENTS SHALL BE LIABLE IN ANY CASE FOR INCIDENTAL, INDIRECT, SPECIAL OR CONSEQUENTIAL DAMAGES RESULTING FROM THE USE OF THIS PRODUCT OR ARISING OUT OF ANY BREACH OF THIS WARRANTY OR NEGLIGENCE EVEN IF IT HAS BEEN ADVISED OF THE POSSIBILITY OF SUCH DAMAGES. EXCEPT AS OTHERWISE MAY BE REQUIRED BY LAW, THERE ARE NO OTHER EXPRESS OR IMPLIED WARRANTIES OTHER THAN THE WARRANTY DESCRIBED HEREIN, AND ALL OTHER WARRANTIES, INCLUDING ANY IMPLIED WARRANTY OF MERCHANTABILITY OR FITNESS FOR A PARTICULAR PURPOSE ARE EXPRESSLY DISCLAIMED.

Assembly Instructions

Model No. 1700040002



4pc Seating Set - Deep Seating Loveseat

Questions, problems, or missing parts?
Before returning to the store, call Customer Service.

1-866-988-3300

8 a.m. - 5 p.m., PST Monday - Friday

Retain this manual for future use.

Contents

Safety Instructions	3
Parts List	4
Assembly	5
Cleaning & Maintenance	9
Warranty	10

IMPORTANT: RETAIN FOR FUTURE REFERENCE, AND READ CAREFULLY.

Safety Instructions

 **WARNING**

Please keep children out of the assembly area before assembly.

 **WARNING**

Never use this product as support. Do not shake, lean, or climb on the product at any time.

 **WARNING**

Do not place heavy objects on the chair.

 **WARNING**

When not in use, secure the product in a cool and covered location.







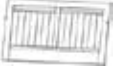

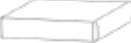
 **WARNING**

Do not locate the product near any heat source.

 **WARNING**

Warning: Weight limit for the chairs is 250lbs (113.39Kg) for each set.

Parts List

A Right Arm - 1		AA M6X18 Bolt - 4	
B Left Arm - 1		BB M6X30 Bolt - 6	
C Seat Frame - 1		CC M6 Flat Washer - 10	
D Back Frame - 1			
E Back Cushion - 2			
F Seat Cushion - 2			

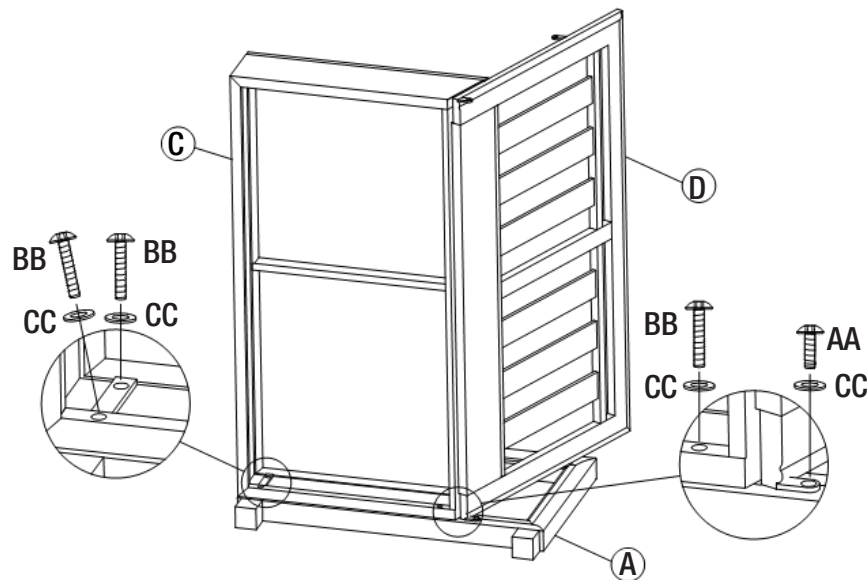
Assembly

STEP 1

Requires: **AA, BB, CC, DD, A, C, D**

Attach right arm (A) to back frame (D) by lining up the corresponding bolt holes on the right arm (A) and back frame (D). Insert M6x18 bolts (AA) through M6 flat washer (CC). Secure bolts with hex key (DD). Do not completely tighten.

Attach seat frame (C) to the right arm (A) and back frame (D) by lining up the corresponding bolt holes. Insert M6x30 bolts (BB) through M6 flat washer (CC). Secure by tightening the bolts with hex key (DD).

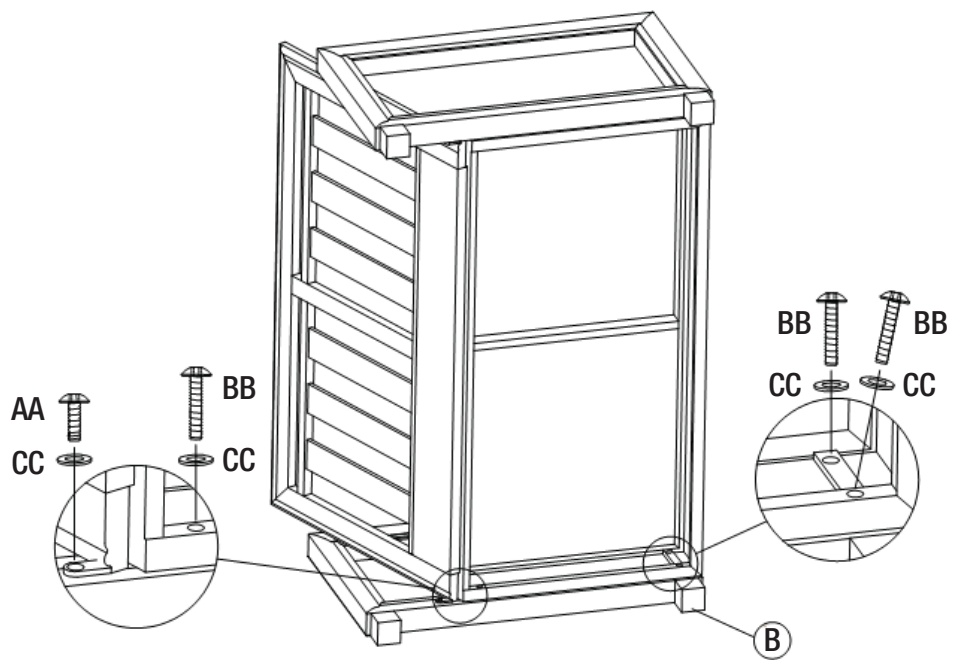


Assembly

STEP 2

Requires: **AA, BB, CC, B, C, D**

Repeat Step 1 for attaching the left arm (B) to the seat frame (C) and back frame (D).

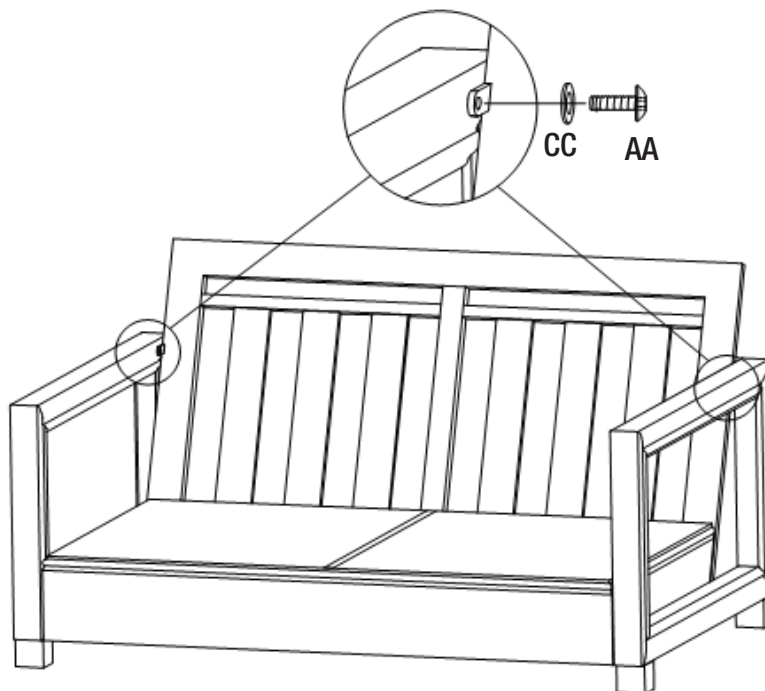


Assembly

STEP 3

Requires: **AA, CC, DD, A, B, D**

Secure the right arm (A) and left arm (B) to the back frame (D) by lining up the corresponding bolt holes on the back frame (D). Insert M6x18 bolts (AA) through M6 flat washer (CC). Secure bolts by tightening with hex key (DD).

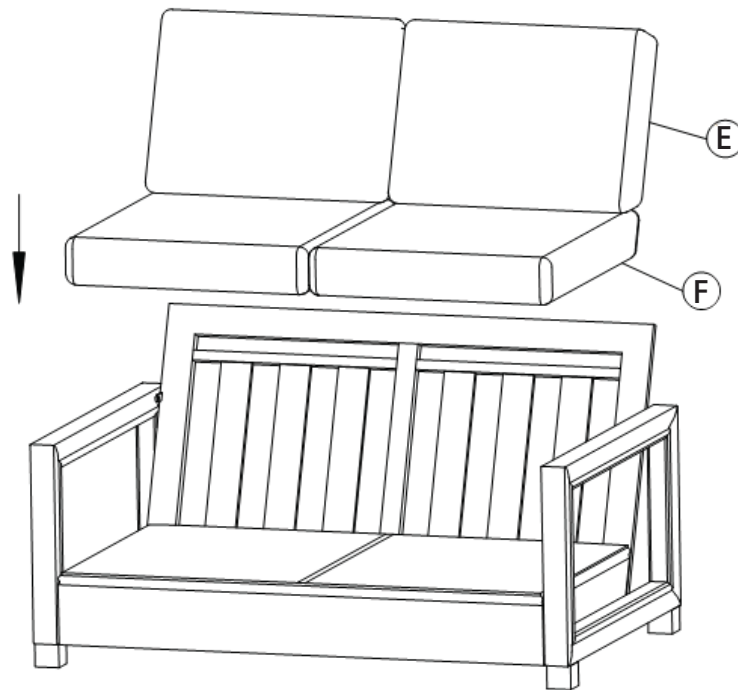


Assembly

STEP 4

Requires: **DD, E, F**

Ensure all bolts are securely tightened with hex key (DD). Place seat cushions (F) and back cushions (E).



Frames

Considered the most durable material for outdoor furniture, metal can last a lifetime if you take care of it properly. Most metal outdoor furniture is finished with paint, varnish, or powder coating to prevent rust. While aluminum doesn't rust—it can oxidize (causes pitting & dulls the finish). So maintaining your furniture will extend its life & make it easier to clean.

- Wash all frames with a solution of mild soap (like dish soap) and water.
- Rinse with clean water and dry with a soft absorbent cloth towel to remove buildup of dirt particles.
- DO NOT clean with abrasive materials or solvents to avoid scratching or damaging your set.
- Frames can be treated with a liquid wax for maximum protection against UV rays and/or salty, damp air.
- Store furniture in an upright position to prevent water building up in frames, as this will cause corrosion and freeze damage in cold climates.
- Consider covering your furniture when not in use for long periods of time (and during bouts of inclement weather).

Outdoor Grade Fabrics

Our seat cushions and pillows are constructed of stain resistant olefin fabric which wicks away moisture and dries quickly, resists fading, mildew, chemicals and insects.

- If your seat cushions have zippers so you are able to remove & machine wash cushion covers (on cold gentle cycle).
- Best to air dry them outdoors instead of tumble drying on low in dryers (to prevent shrinking).
- If your set includes cushions, slings, and/or an umbrella that is not removable they may be cleaned by hand with a solution of mild soap (like dish soap) and water, then rinse with clean water.
- Slings may be washed in the dishwasher or in the washer, Lay in the sun
- After cleaning cushion fill, tip on its side and allow to dip dry.
- DO NOT use bleach or solvents to clean any product! This will void the warranty.
- To extend the life of your cushions store during inclement weather & when not in use.

Outdoor Furniture

IMPORTANT

If you have any problems with this product (missing or damaged parts, assembly issues, etc.),

PLEASE DO NOT RETURN TO THE RETAILER/STORE

from where you purchased the product.

Please call our Toll-Free Customer Service Hotline at:

1-866-988-3300

Between 8:00 AM and 5:00 PM Pacific Standard Time, Monday through Friday

To expedite any future warranty claims, please retain the instruction sheet, warranty card and receipt for future use.

Care and Maintenance

Store furniture in an upright position. Be careful to never allow water to build up in frames as this will cause corrosion and freeze damage in cold climates. Wash all frames with a solution of mild soap and water. Rinse with clean water and dry with a soft absorbent cloth towel. Frames can be treated with a liquid wax for maximum protection against UV rays and/or salty, damp air. If your set includes cushions, slings, and/or an umbrella they may be cleaned by hand with a solution of soap and water with a clean water rinse. (Never machine wash cushions, slings or umbrella covers as this will result in shrinkage or damage). After cleaning cushions tip on end and allow to drip dry. (Never use a commercial or home dryer to tumble dry fabric goods). Do not use bleach or solvents to clean any product! This will void the warranty.

Outdoor Furniture

1-YEAR LIMITED WARRANTY PROGRAM

For a period of one (1) year after date of purchase, the Manufacturer will either repair or replace defective components in accordance with this Limited Warranty. This warranty is between the Manufacturer and the original purchaser and is valid only when accompanied by the original purchaser's sales receipt showing original date of purchase and location of purchase. Replacements under this warranty revert back to the date of original purchase for future warranty.

The Manufacturer or its authorized dealer can accept or reject warranty claims based on its findings. This warranty applies in normal residential use only and is not intended for commercial use. The Manufacturer can make substitutions as required of materials, components, and sub-components of comparable value and utility. This warranty is limited to product repair or replacement (to be determined solely by the Manufacturer). Warranty return is limited to only the single affected component.

This limited warranty covers only manufacturing defects and does not cover normal wear and tear, damage due to acts of nature (such as, but not limited to freezing or high winds), abuse or misuse, including chemical damage from suntan oil or other chemicals, exposure to extreme heat or cold, abrasion or excessive weight. This product is intended to be used in standard installations only. This warranty is void if the product is not used for its intended purpose. The Manufacturer disclaims liability for any aspect of installation and any inconvenience caused by a defective part of a component.

Certain items are not covered by this warranty. These include, but are not limited to the following:

1. Components subjected to abuse, including abuse intended to simulate failure.
2. Damages caused by retailer, shipper or installation crew (such as scratches, dents, tears, chips, etc.).
3. Any part which merely exhibits normal wear yet functions essentially as new, including chips, scratches or stretching of materials and stitching.
4. Tears, punctures, scratches or any damage caused by improper installation or use.
5. Damage to frames/welds resulting from improper assembly or exposure to water and/or sub-freezing temperatures is not covered. General frame rusting is not covered.
6. Fading and/or discoloration of fabrics/cushions/straps/wicker resulting from exposure to the elements, chemicals, oils, fluids or any other cause are not covered.
7. Umbrella bases are not covered under any circumstances.
8. Items sold "as is" or floor models.

To make a claim, call the toll-free number below. Please have available a copy of the original sales receipt along with a brief description of the problem. Please also provide your email address and daytime telephone or cell phone number. All items may be charged actual freight costs plus \$15 for handling. Repairs or replacement will be made at the Manufacturer's option. Sales and use taxes, plus shipping and handling charges are the responsibility of the consumer.

THIS IS THE ENTIRE EXCLUSIVE EXPRESS LIMITED LIABILITY. THE MANUFACTURER NEITHER MAKES NOR IS RESPONSIBLE FOR ANY OTHER WARRANTIES, EITHER EXPRESS OR IMPLIED, INCLUDING THOSE OF RETAILING DEALERS. THIS EXCLUSIVE REMEDY IS LIMITED TO RECEIPT OF A CREDIT IN CONNECTION WITH THE REPAIR OR REPLACEMENT OF ANY PRODUCT OR COMPONENT DEEMED TO BE DEFECTIVE UNDER THE TERMS AND CONDITIONS AS STATED IN THIS WARRANTY. NEITHER THE PRODUCT MANUFACTURER NOR ITS AGENTS SHALL BE LIABLE IN ANY CASE FOR INCIDENTAL, INDIRECT, SPECIAL OR CONSEQUENTIAL DAMAGES RESULTING FROM THE USE OF THIS PRODUCT OR ARISING OUT OF ANY BREACH OF THIS WARRANTY OR NEGLIGENCE EVEN IF IT HAS BEEN ADVISED OF THE POSSIBILITY OF SUCH DAMAGES. EXCEPT AS OTHERWISE MAY BE REQUIRED BY LAW, THERE ARE NO OTHER EXPRESS OR IMPLIED WARRANTIES OTHER THAN THE WARRANTY DESCRIBED HEREIN, AND ALL OTHER WARRANTIES, INCLUDING ANY IMPLIED WARRANTY OF MERCHANTABILITY OR FITNESS FOR A PARTICULAR PURPOSE ARE EXPRESSLY DISCLAIMED.