

BACKYARD

Creations®

Ellington Collection

Chat Table

style # FTS61288

sku # 2721066



>>assembly instructions

IMPORTANT WARNING:

Unpack the box on a clean soft level surface and make sure all parts have been included.
If you have any questions or concerns, please visit our website at: www.yotrioint.com
or toll free at: 1-866-905-4107 Monday-Friday 8:30 am to 5:00 am pacific standard time / 11:30 am to 8:00 pm eastern standard time.
or email us at: customerservice@yotrious.com

ATTENTION:

This Table is not intended for use during any kind of inclement weather and the manufacturer is not and can not be held responsible for any damages caused as a result of such weather. Weather-related damage, or damage as a result of the Table not being stored properly when not in use is not the responsibility of the manufacturer.

During extended periods of non-usage, off season, or in inclement weather (wind, rain, snow, hail, sleet), freezing conditions and extreme heat, the Table needs to be stored in a dry sheltered place to prolong the life and to avoid damage to the Table.

WARRANTY:

This Table comes with a one year limited warranty against original manufacture defects. If you experience trouble with your table, please call the customer service number below.
Toll Free at: 1-866-905-4107 Monday-Friday 8:30 am to 5:00 am pacific standard time / 11:30 am to 8:00 pm eastern standard time.
Or email us at: customerservice@yotrious.com

before you begin

1. Check for damage or missing parts. Call 1-866-905-4107 or email at customerservice@yotrious.com to order missing supplies.
2. Use the carton as a working surface to prevent product damage during assembly.
3. All tools needed for assembly are already included.

For longer life, cover and store when not in use.

Frame Care:

Wipe clean with damp cloth. Use only mild soap and detergents.

table of contents

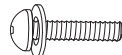
introduction	2
hardware	4
parts list	5
assembly	6-8

hardware

(Part D)×8
M6*25mm bolt with washer



(Part E)×8
M6*30mm bolt with washer

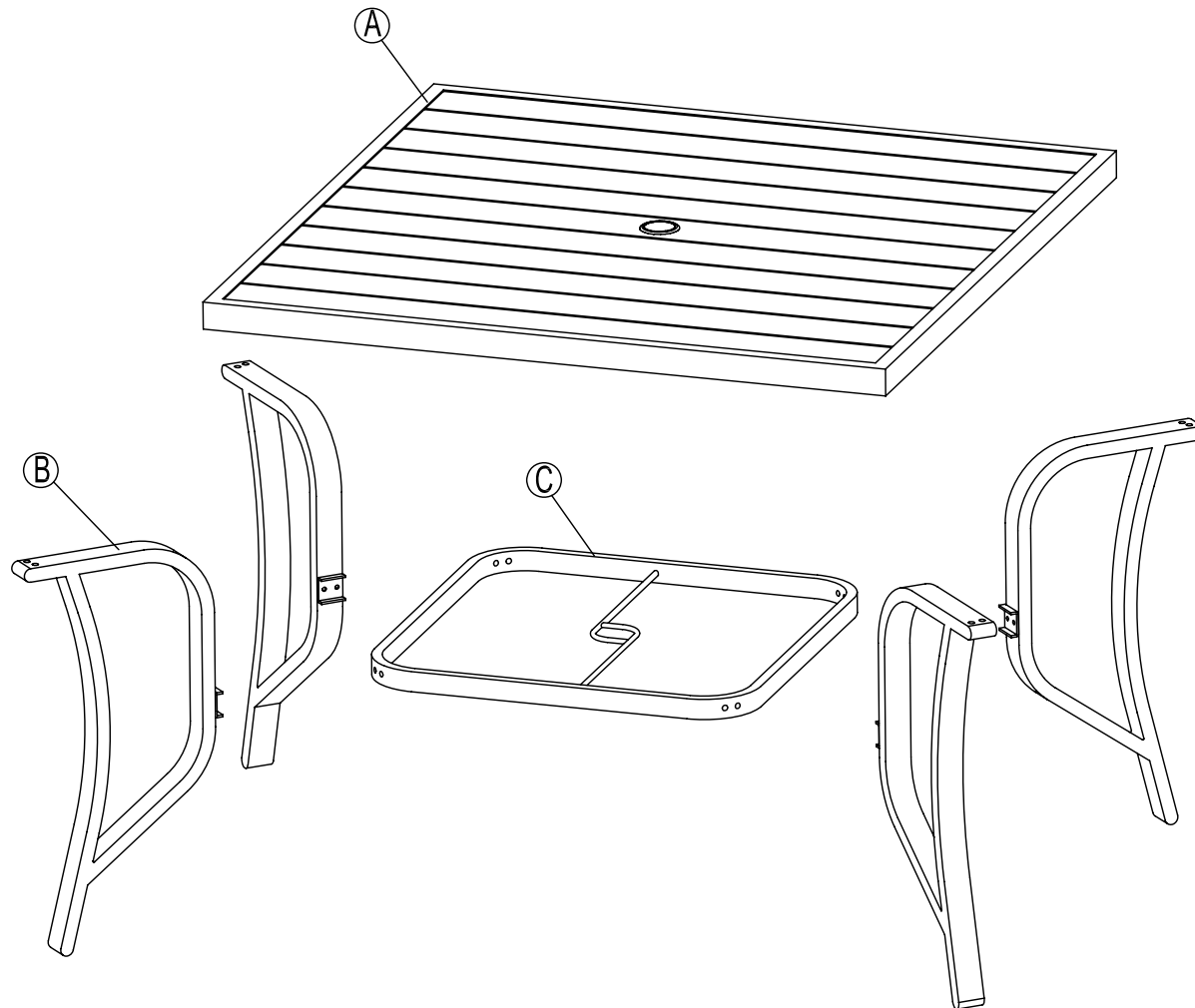


(Part F)×1
allen wrench



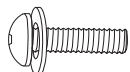
ITEM	DESCRIPTION	QUANTITY
------	-------------	----------

A	top	1
B	leg	4
C	connector bracket	1



step 01:

(Part E)×8
M6*30mm bolt with washer

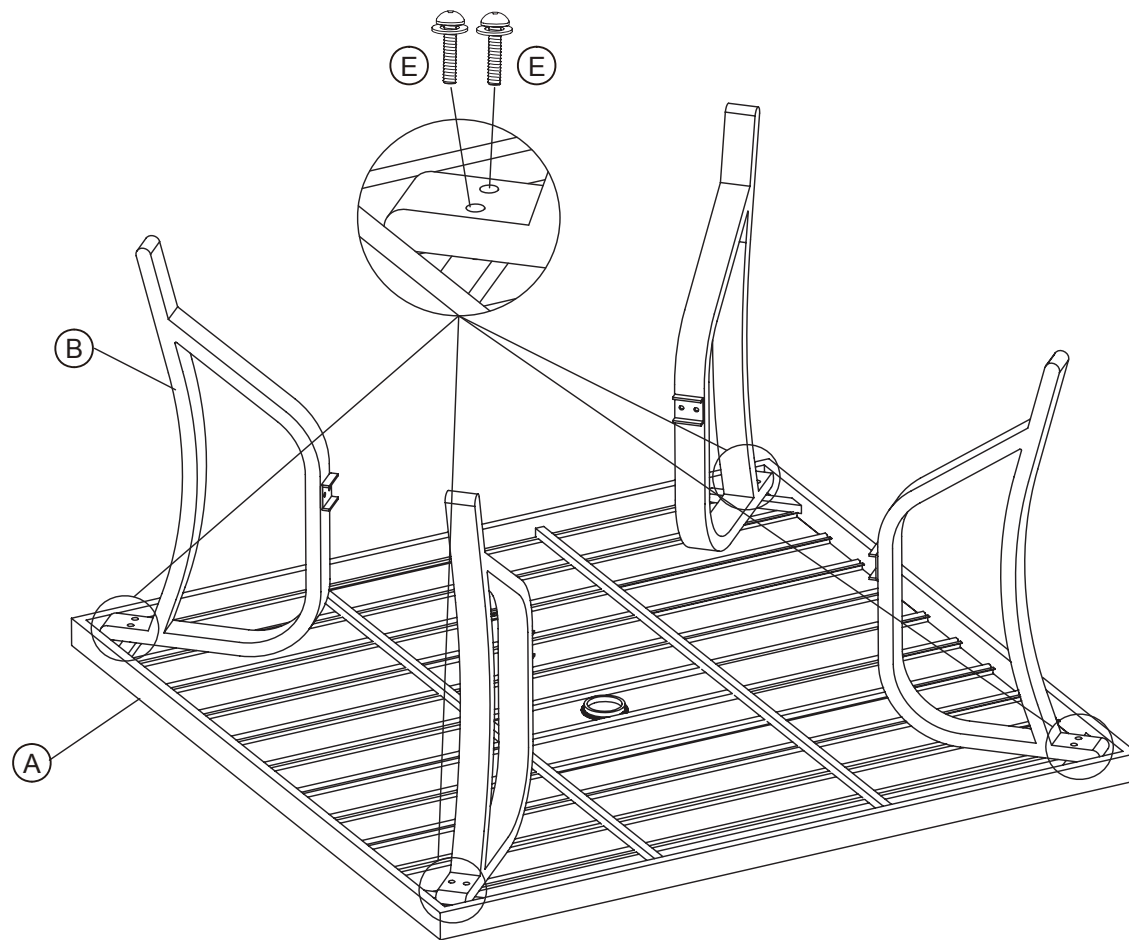


(Part F)×1
allen wrench



ATTENTION: To avoid damage to your new patio furniture, please use either the carton or another soft surface such as carpet as a working surface to prevent product damage during assembly.

1. Attach the leg (B) to the top (A) by lining up the bolt holes.
2. Secure with M6*30mm bolt with washer (E) using allen wrench (F).
3. Repeat above step until the 4 legs (B) are secured to the top (A).



Do not completely tighten screws until all screws are in place.

step 02:

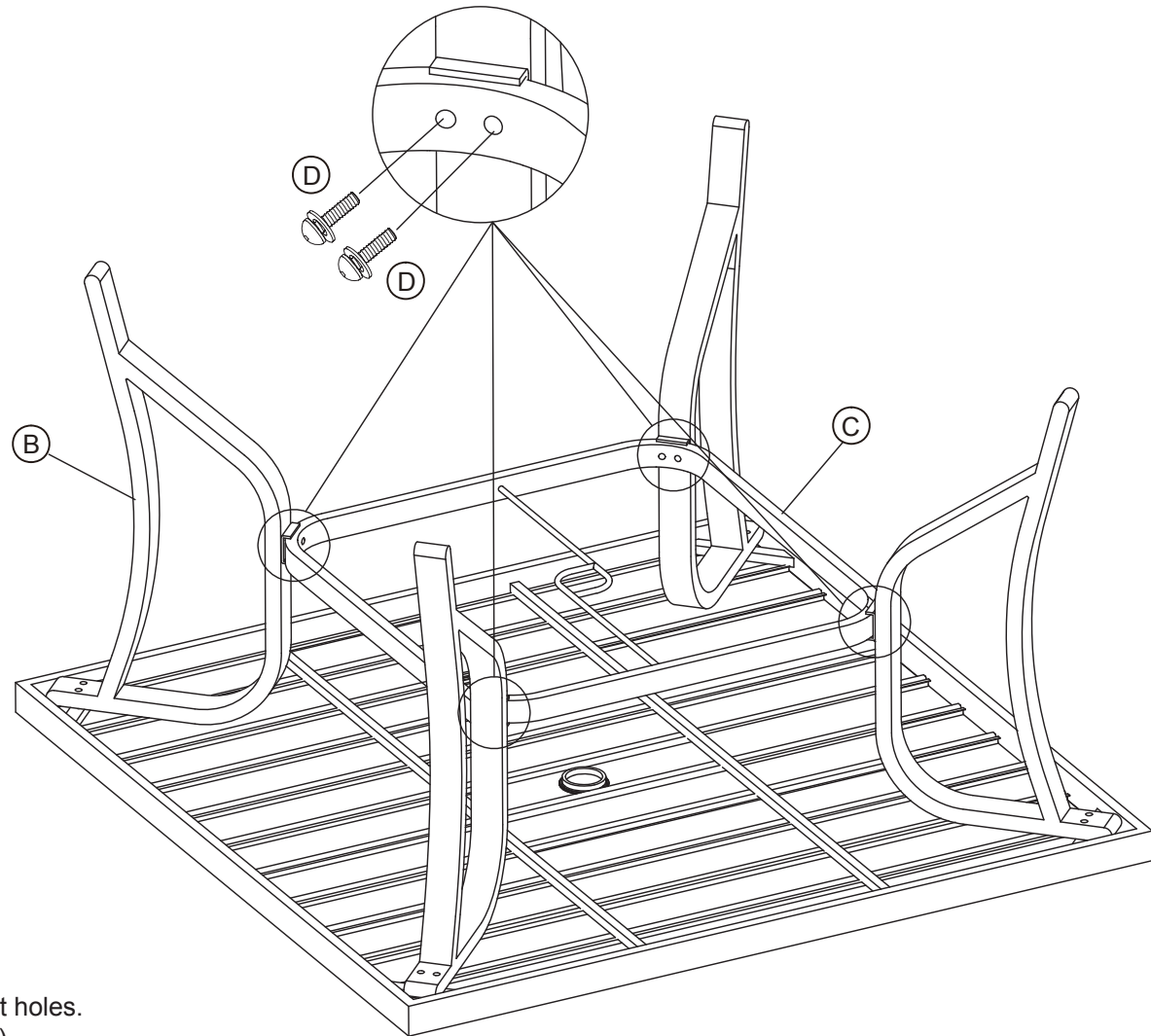
(Part D)×8

M6*25mm bolt with washer



(Part F)×1

allen wrench



1. Attach the connector bracket (C) to the leg (B) by lining up the bolt holes.
2. Secure with M6*25mm bolt with washer (D) using allen wrench (F).
3. Repeat above step until the 4 legs (B) are secured with the connector bracket (C).

Do not completely tighten screws until all screws are in place.

step 03:

-
1. Tighten all the bolts.
 2. Turn the chair to upright position onto a flat level surface.

You are now ready to enjoy your new chat table.

